



US00D346860S

United States Patent [19]

[11] Patent Number: **Des. 346,860**

Kesling

[45] Date of Patent: **** May 10, 1994**

[54] ORTHODONTIC CRIMPABLE HOOK

[75] Inventor: **Christopher K. Kesling**, Green Acres, Ind.

[73] Assignee: **TP Orthodontics, Inc.**, Westville, Ind.

[**] Term: **14 Years**

[21] Appl. No.: **905,029**

[22] Filed: **Jun. 26, 1992**

[52] U.S. Cl. **D24/180**

[58] Field of Search 433/18-19,
433/22-23; D24/176-182

[56] References Cited

U.S. PATENT DOCUMENTS

4,639,219 1/1987 Gagin 433/22

OTHER PUBLICATIONS

"Product News for Orthodontists", GAC International, Inc., vol. 4, No. 1 (undated, but accepted as prior art).
Unitek Catalog No. 116, p. 90 (1973).
Ortho Organizers brochure (1986).

Primary Examiner—Wallace R. Burke
Assistant Examiner—M. H. Tung
Attorney, Agent, or Firm—Lloyd L. Zickert

[57] CLAIM

The ornamental design for an orthodontic crimpable hook, as shown and described.

DESCRIPTION

FIG. 1 is a front elevational view of an orthodontic crimpable hook showing my new design; FIG. 2 is a right side elevational view, the left side elevational view being a mirror image thereof; FIG. 3 is a rear elevational view; FIG. 4 is a top elevational view; and, FIG. 5 is a bottom elevational view.

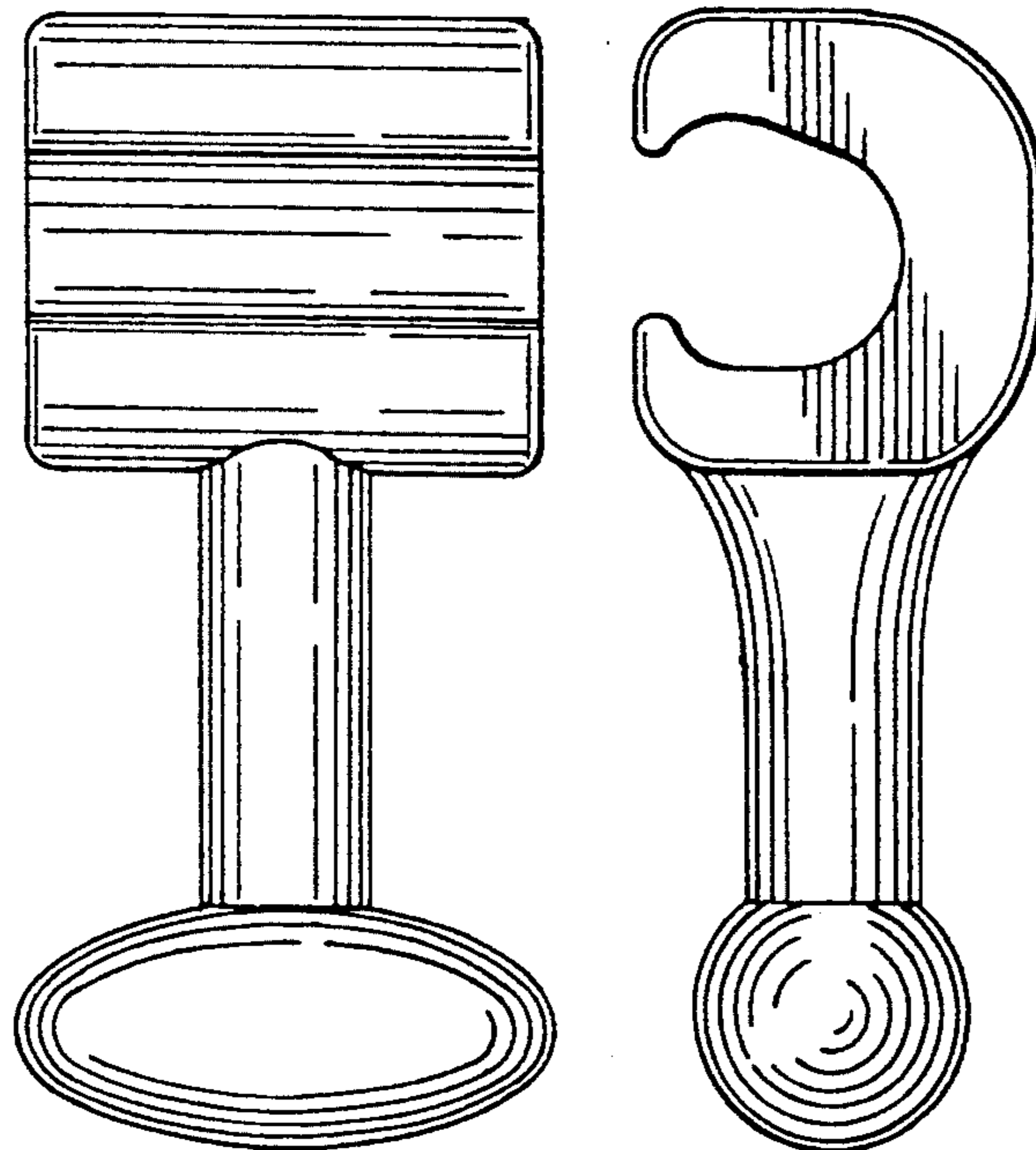


FIG. 1

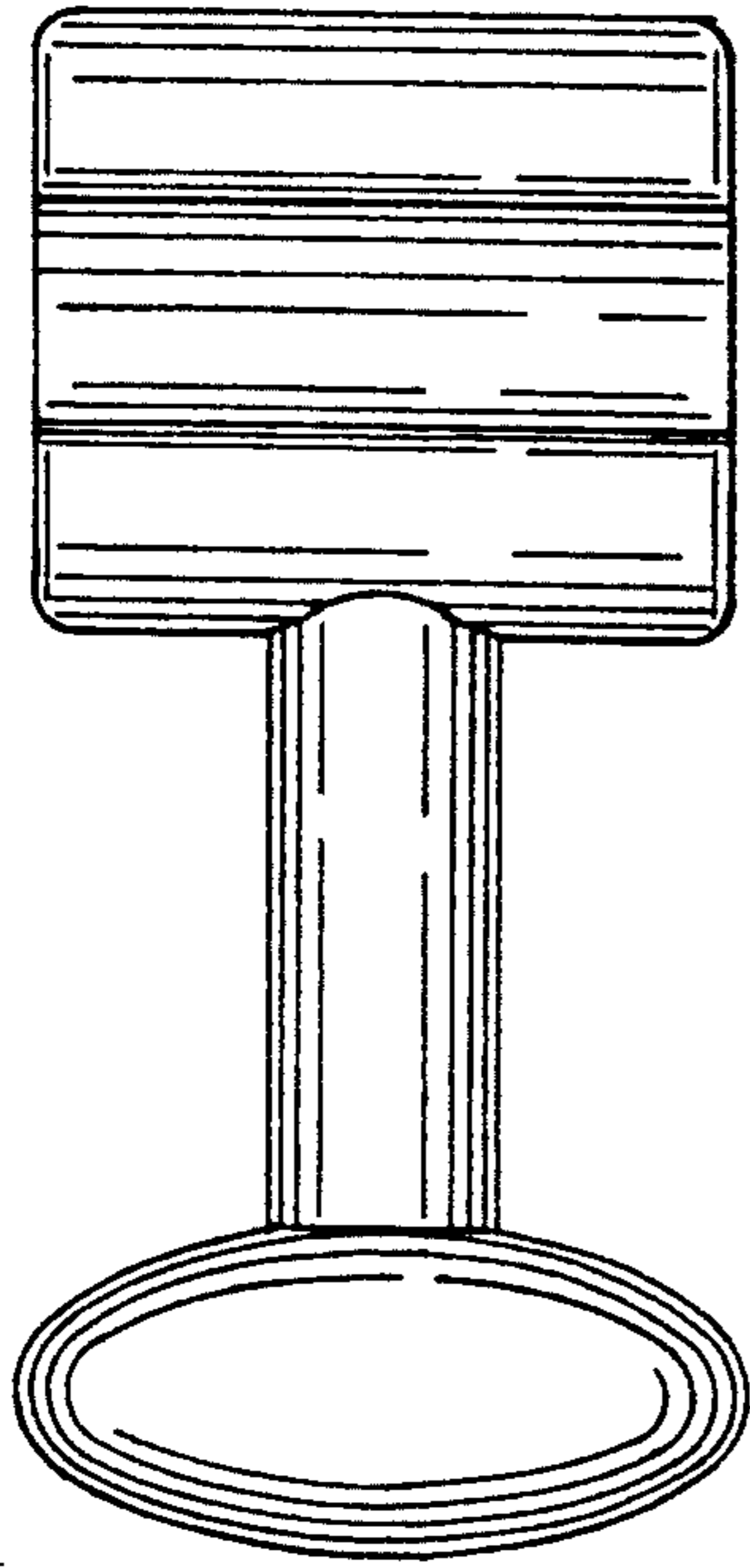


FIG. 2

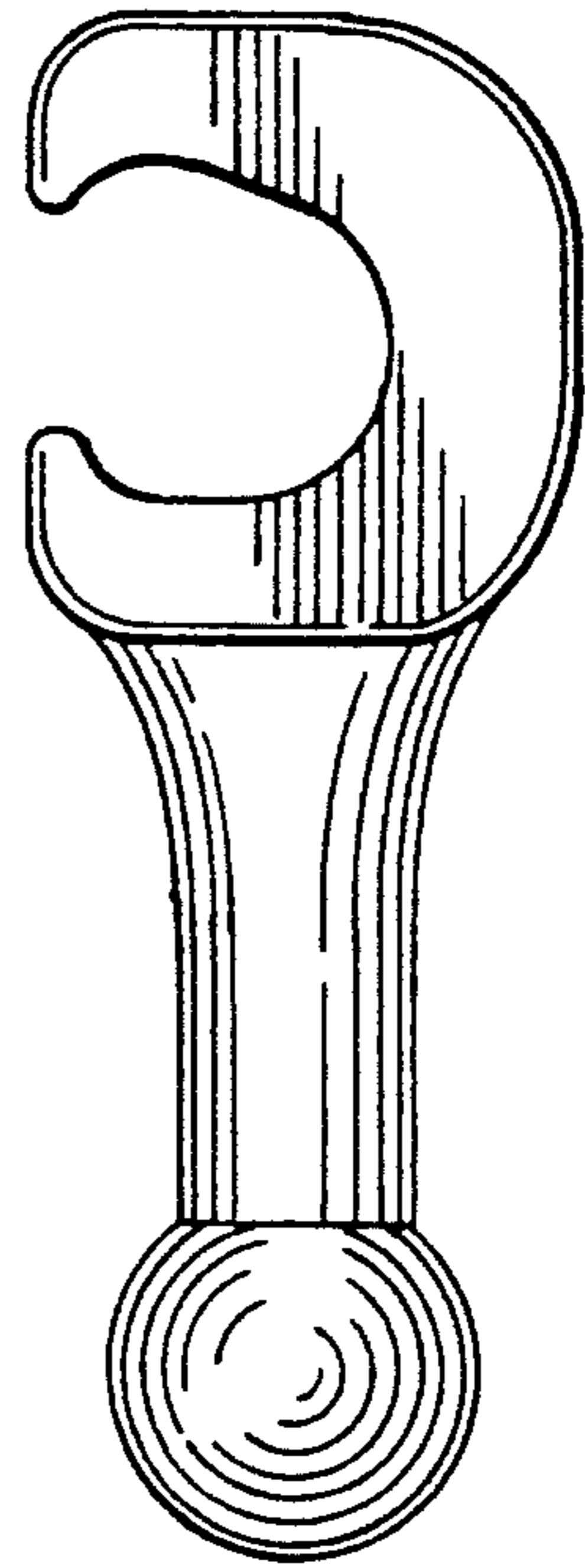


FIG. 3

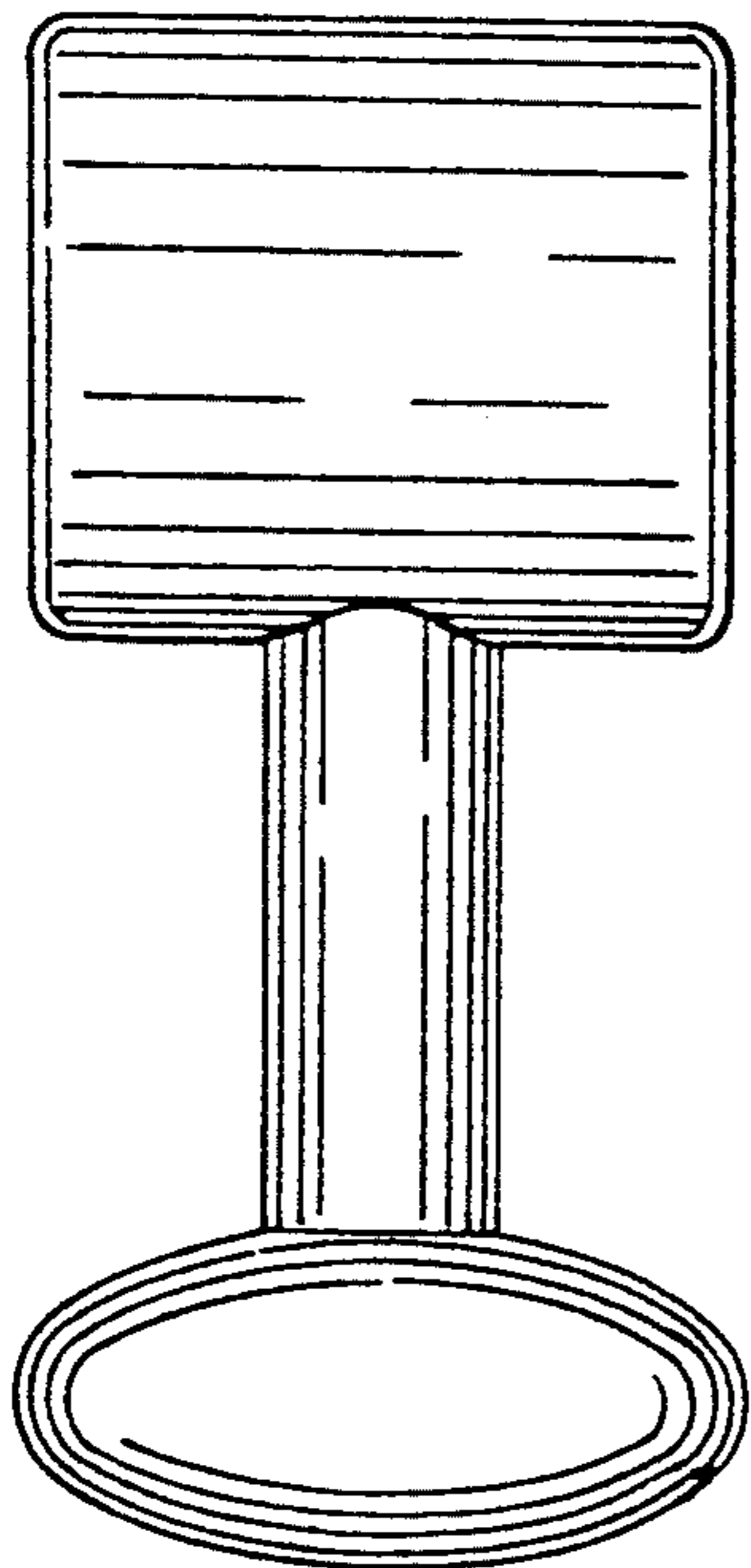


FIG. 4

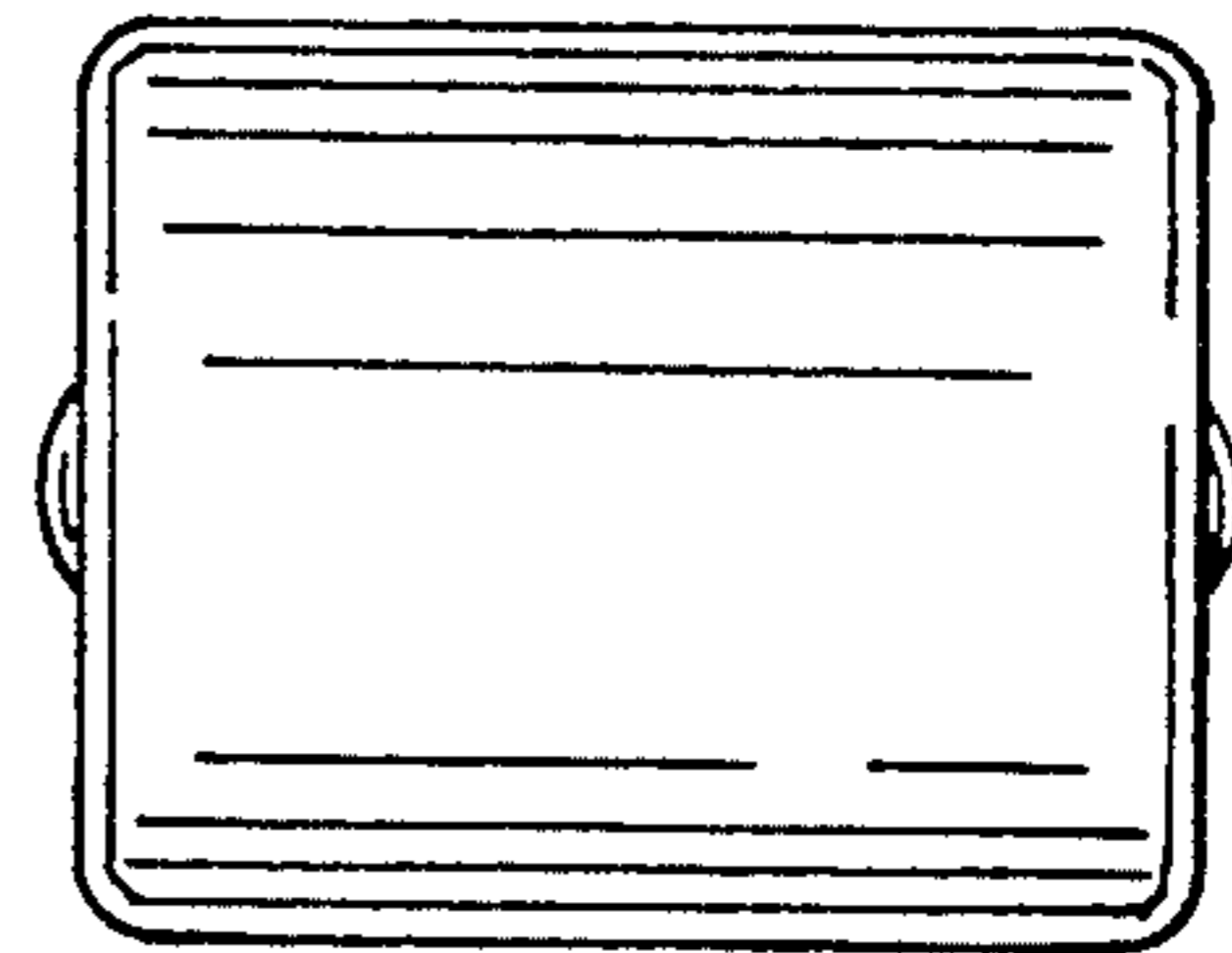


FIG. 5

