



US00D346859S

# United States Patent [19]

[11] Patent Number: **Des. 346,859**

DiPasquale

[45] Date of Patent: **\*\* May 10, 1994**

[54] **COMBINED MOUNTING CANOPY, MOTOR AND SWITCH HOUSING AND BLADE IRONS UNIT FOR A CEILING FAN**

4,342,073 7/1982 Ranten ..... D23/377

[75] Inventor: **Charles J. DiPasquale, Argyle, Tex.**

*Primary Examiner*—Wallace R. Burke  
*Assistant Examiner*—Lisa Lichtenstein  
*Attorney, Agent, or Firm*—Dennis T. Griggs

[73] Assignee: **Smartel, Inc., Carrollton, Tex.**

[57] **CLAIM**

[\*\*] Term: **14 Years**

The ornamental design for a combined mounting canopy, motor and switch housing and blade irons unit for a ceiling fan, as shown and described.

[21] Appl. No.: **5,758**

**DESCRIPTION**

[22] Filed: **Mar. 11, 1993**

[52] U.S. Cl. .... **D23/411; D23/377; D23/379; D23/385**

FIG. 1 is a perspective view of a combined mounting canopy, motor and switch housing and blade irons unit for a ceiling fan showing my new design, the broken lines showing fan blades being for illustrative purposes only and forming no part of the claimed design;

[58] Field of Search ..... **416/5; 362/96, 363; 392/364; D23/377, 379, 385, 411**

FIG. 2 is a side elevational view thereof, the opposite and adjacent sides being mirror images of that shown;

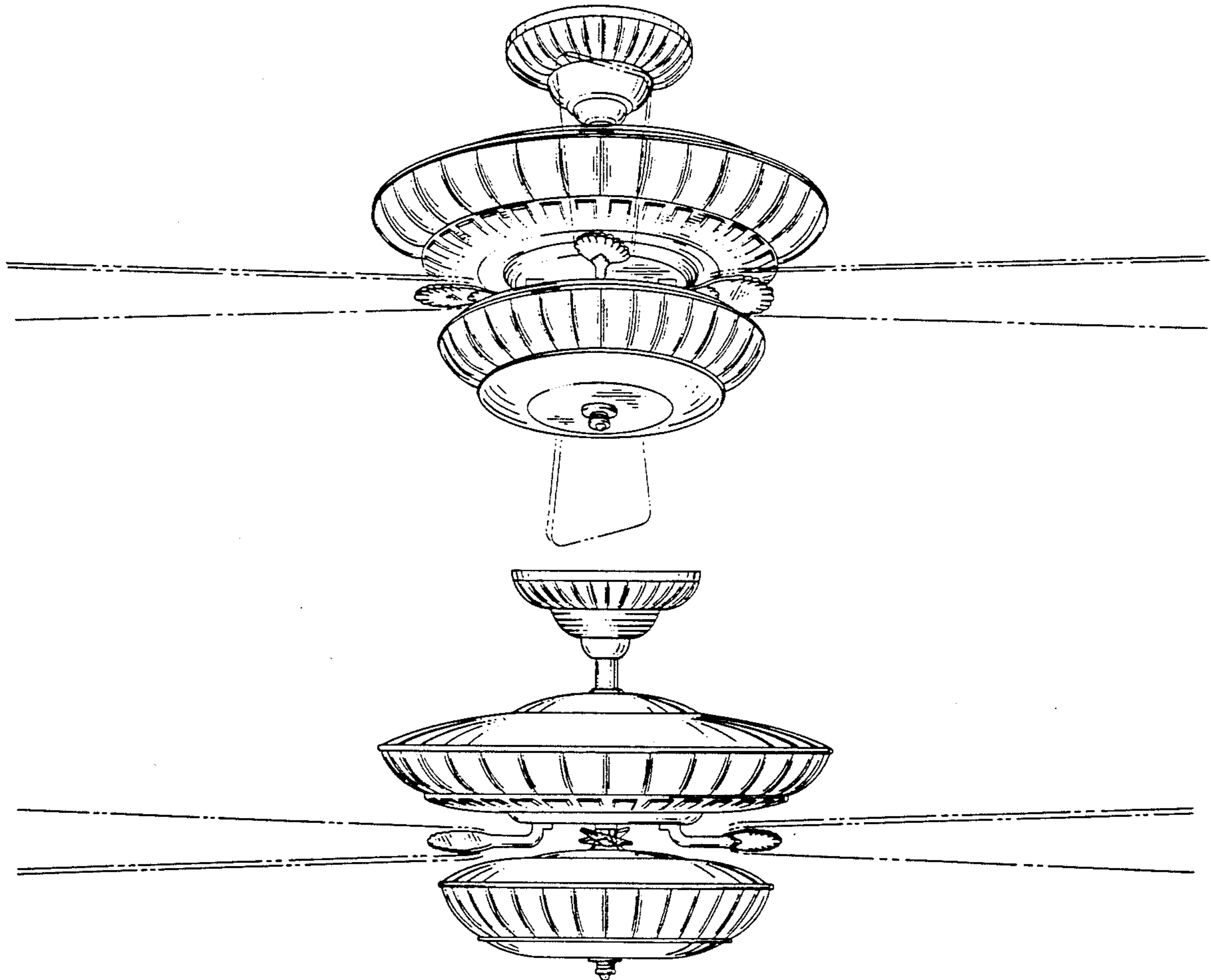
[56] **References Cited**

**U.S. PATENT DOCUMENTS**

D. 311,247 10/1990 Sonneman ..... D23/377

FIG. 3 is a top plan view thereof; and,

FIG. 4 is a bottom plan view thereof.



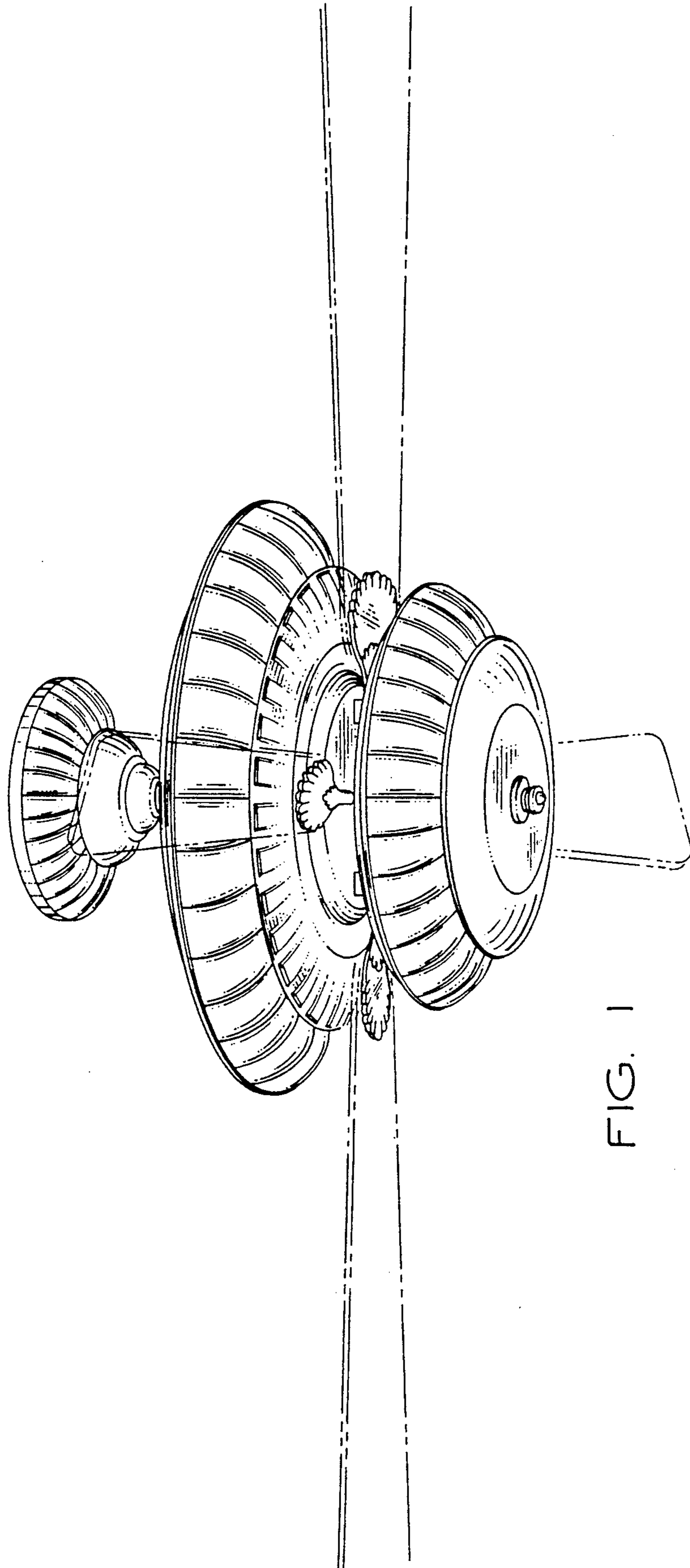


FIG. 1

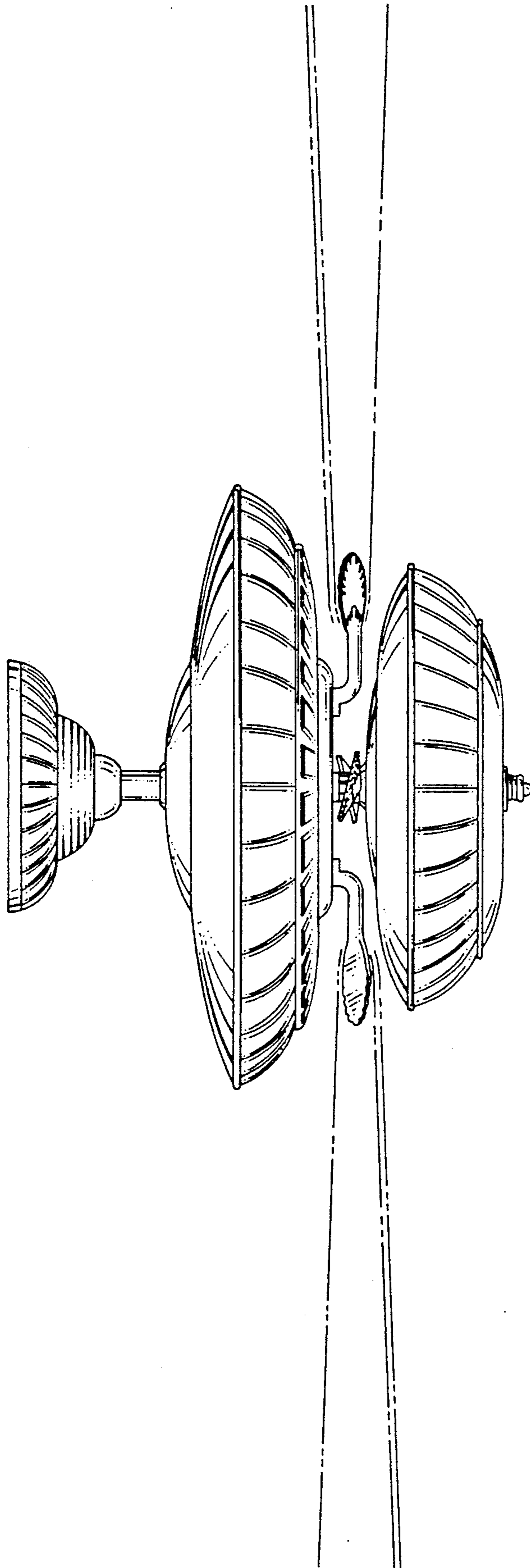


FIG. 2

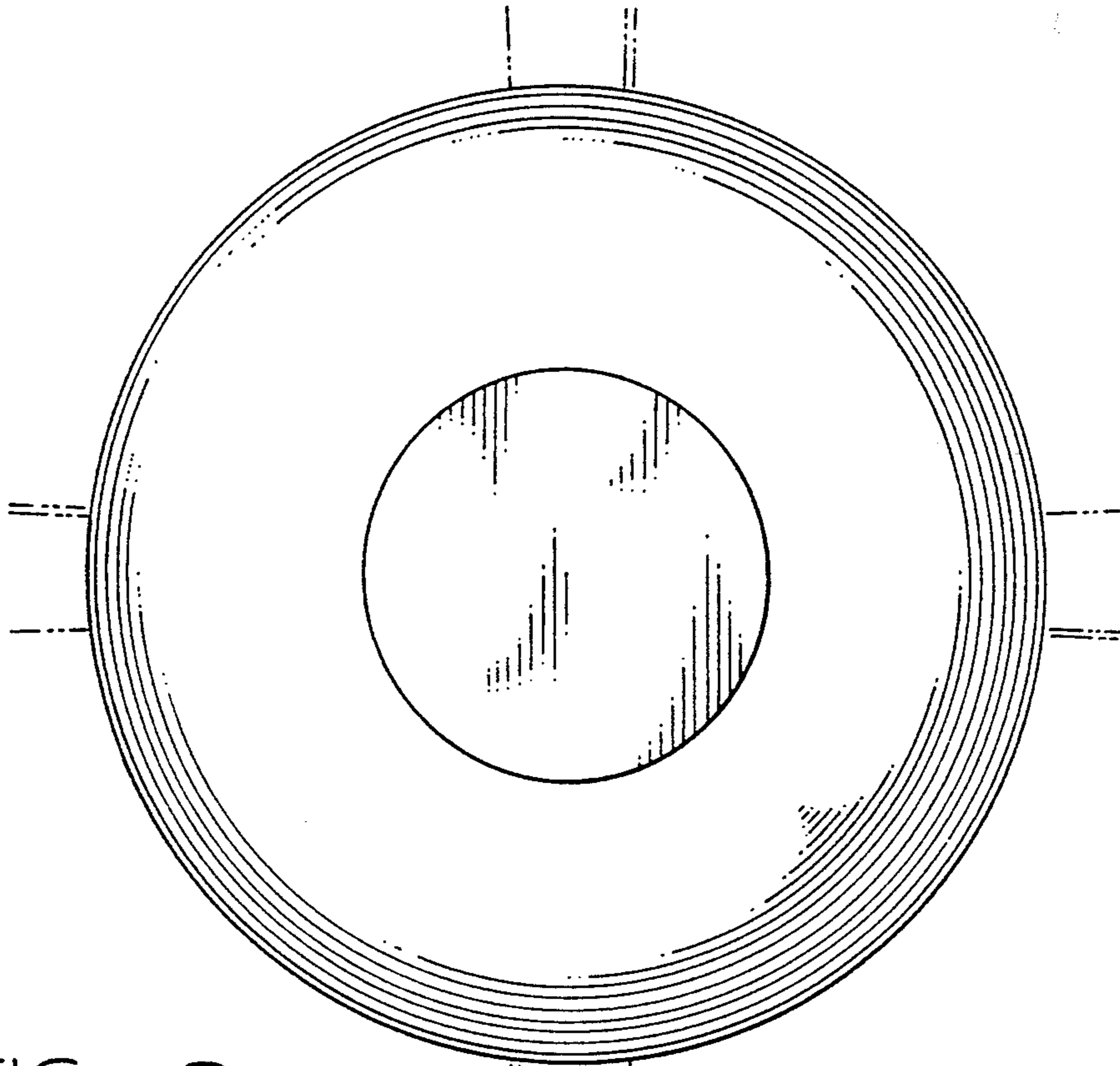


FIG. 3

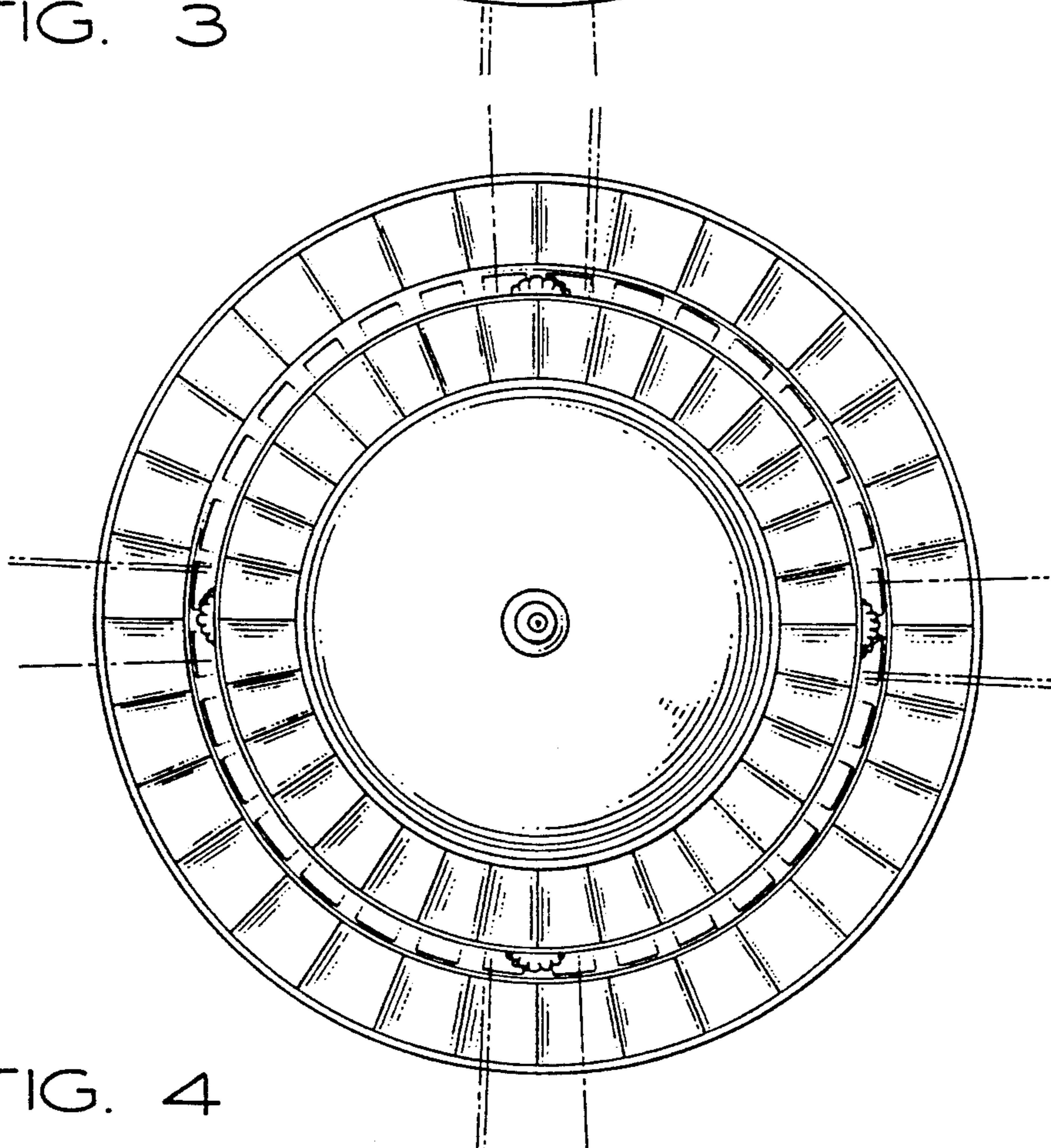


FIG. 4