



US00D346858S

# United States Patent [19]

[11] Patent Number: Des. 346,858

Lee

[45] Date of Patent: \*\* May 10, 1994

## [54] COMBINED CEILING FAN AND LIGHT

[75] Inventor: Ching-Tarn Lee, Feng Yuan, Taiwan

[73] Assignee: Davoil, Inc., Ft. Worth, Tex.

[\*\*] Term: 14 Years

[21] Appl. No.: 3,752

[22] Filed: Dec. 18, 1992

[52] U.S. Cl. .... D23/377; D23/379;  
D23/385; D26/84

[58] Field of Search ..... 416/5; 362/96, 363;  
392/364; D23/377, 379, 385, 411, 413;  
D26/81-86, 88, 59, 51, 72

### [56] References Cited

#### U.S. PATENT DOCUMENTS

D. 125,312 2/1941 Logan ..... D26/88

### OTHER PUBLICATIONS

Encon Industries, Inc., 1982 Brochure, Ceiling Fan A, Front Cover, top of page.

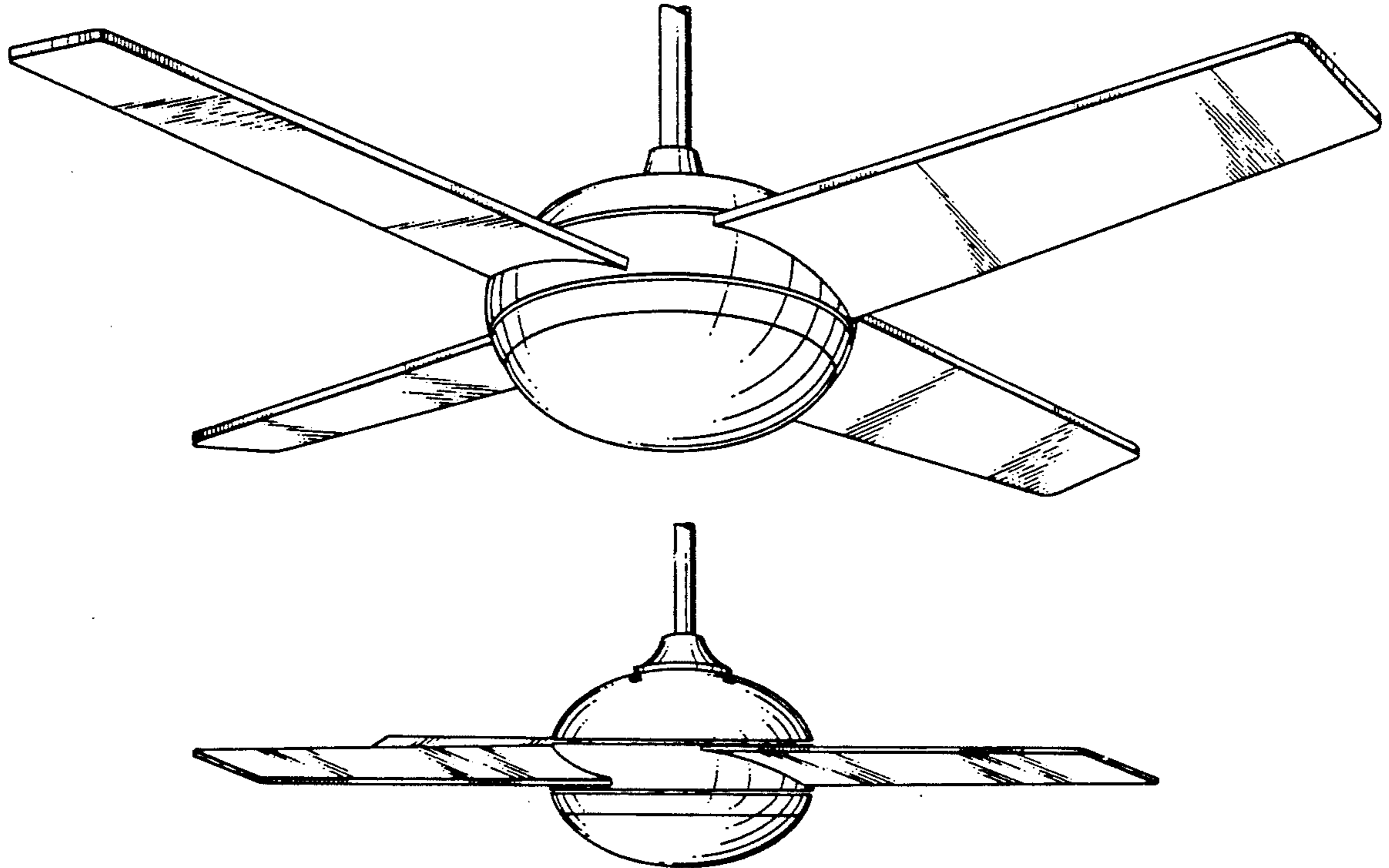
*Primary Examiner*—Wallace R. Burke  
*Assistant Examiner*—Lisa Lichtenstein  
*Attorney, Agent, or Firm*—James E. Bradley

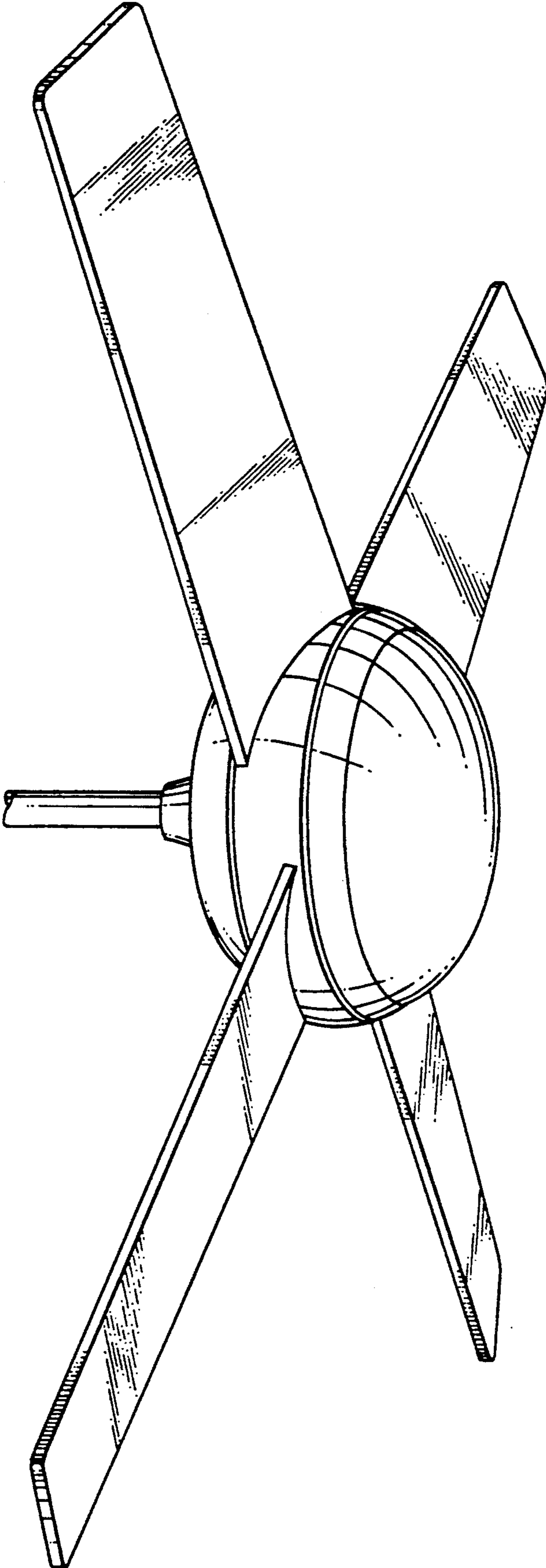
### [57] CLAIM

The ornamental design for a combined ceiling fan and light, as shown and described.

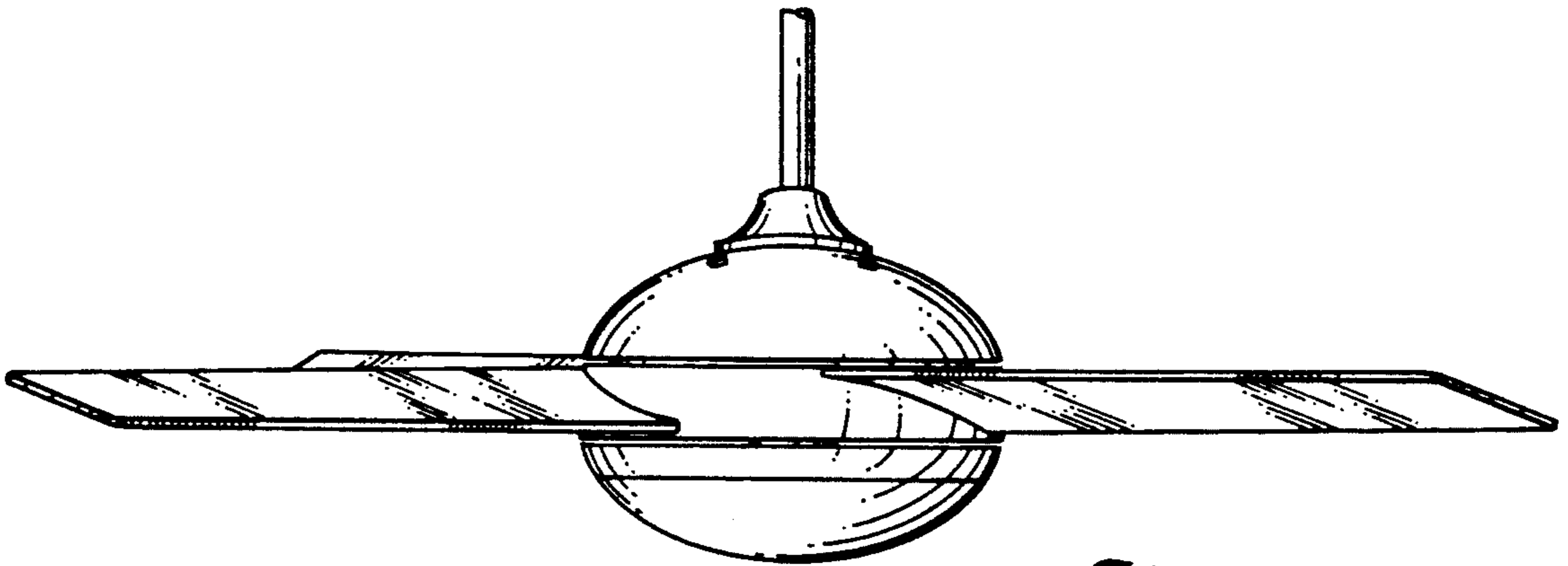
### DESCRIPTION

FIG. 1 is a perspective of the combined ceiling fan and light as seen from the lower side;  
FIG. 2 is a side elevational view thereof, each side elevational view being identical;  
FIG. 3 is a reduced bottom plan view of the ceiling fan; and,  
FIG. 4 is a top plan view of the ceiling fan.  
The support rod has been shown broken away in FIGS. 1 and 2 to indicate indeterminate length.

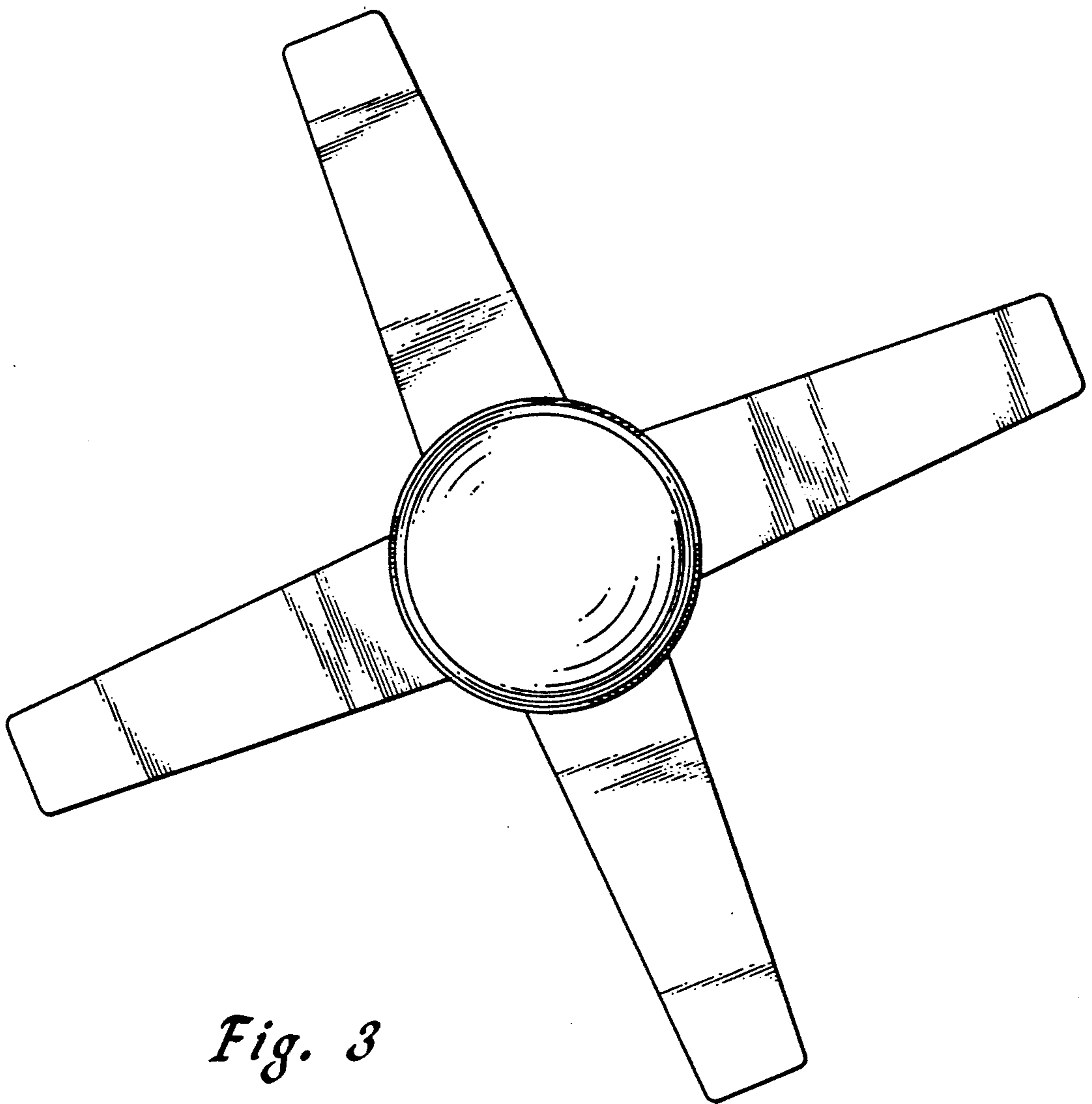




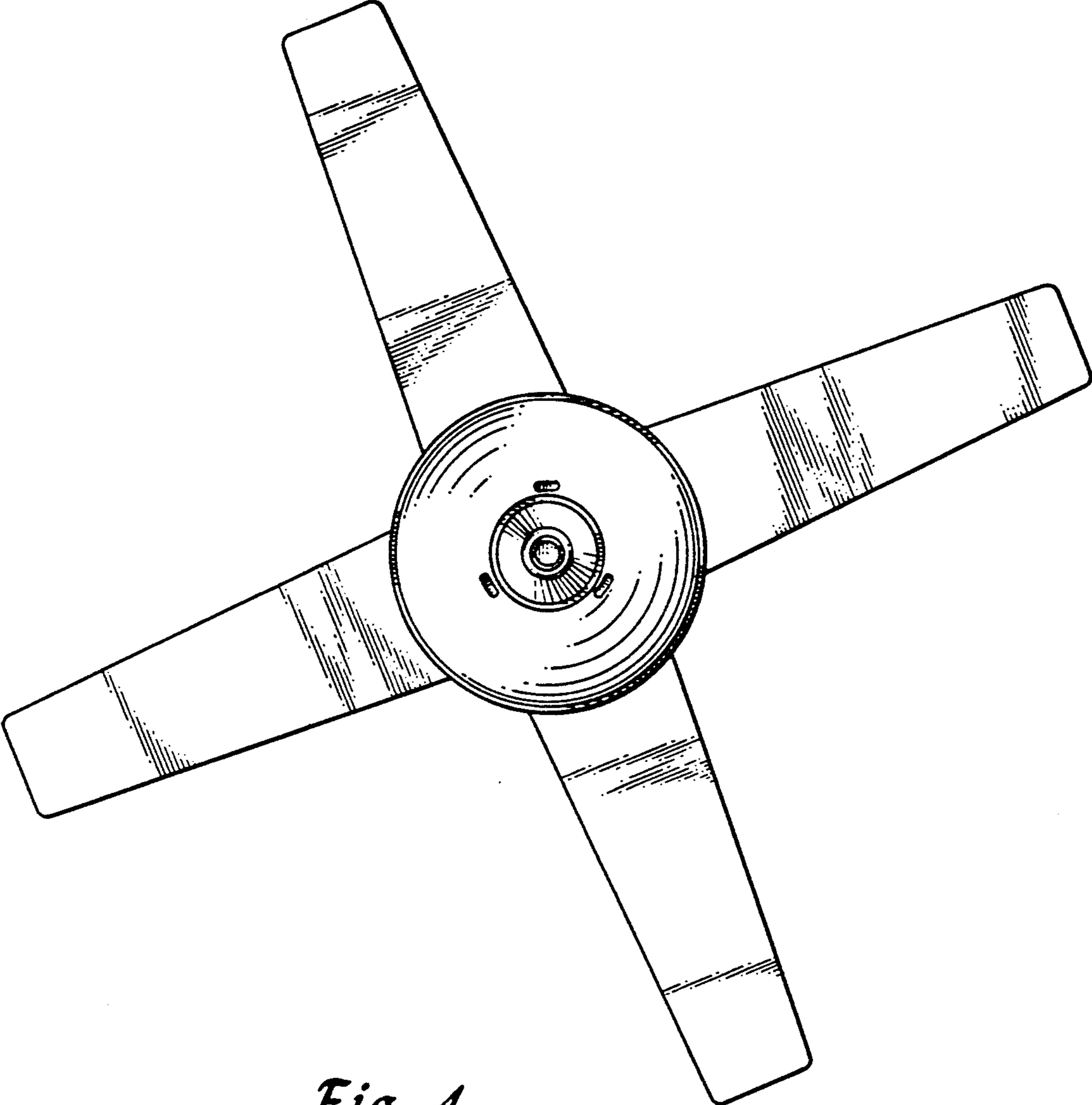
*Fig. 1*



*Fig. 2*



*Fig. 3*



*Fig. 4*