



US00D346855S

United States Patent [19]

[11] Patent Number: **Des. 346,855**

Chiu

[45] Date of Patent: **** May 10, 1994**

- [54] **PORTABLE ELECTRICAL FAN HEATER**
- [75] Inventor: **Bernard Chiu, Ashland, Mass.**
- [73] Assignee: **Duracraft Corporation, Whitinsville, Mass.**
- [**] Term: **14 Years**
- [21] Appl. No.: **8,867**
- [22] Filed: **May 27, 1993**
- [52] U.S. Cl. **D23/328; D23/335**
- [58] Field of Search **416/95, 247 R; 392/365-369, 383; D23/337, 332, 335, 330, 328, 381**

Primary Examiner—Wallace R. Burke
Assistant Examiner—Lisa Lichtenstein
Attorney, Agent, or Firm—John E. Toupal; Harold G. Jarcho

[57] CLAIM

The ornamental design for a portable electrical fan heater, as shown.

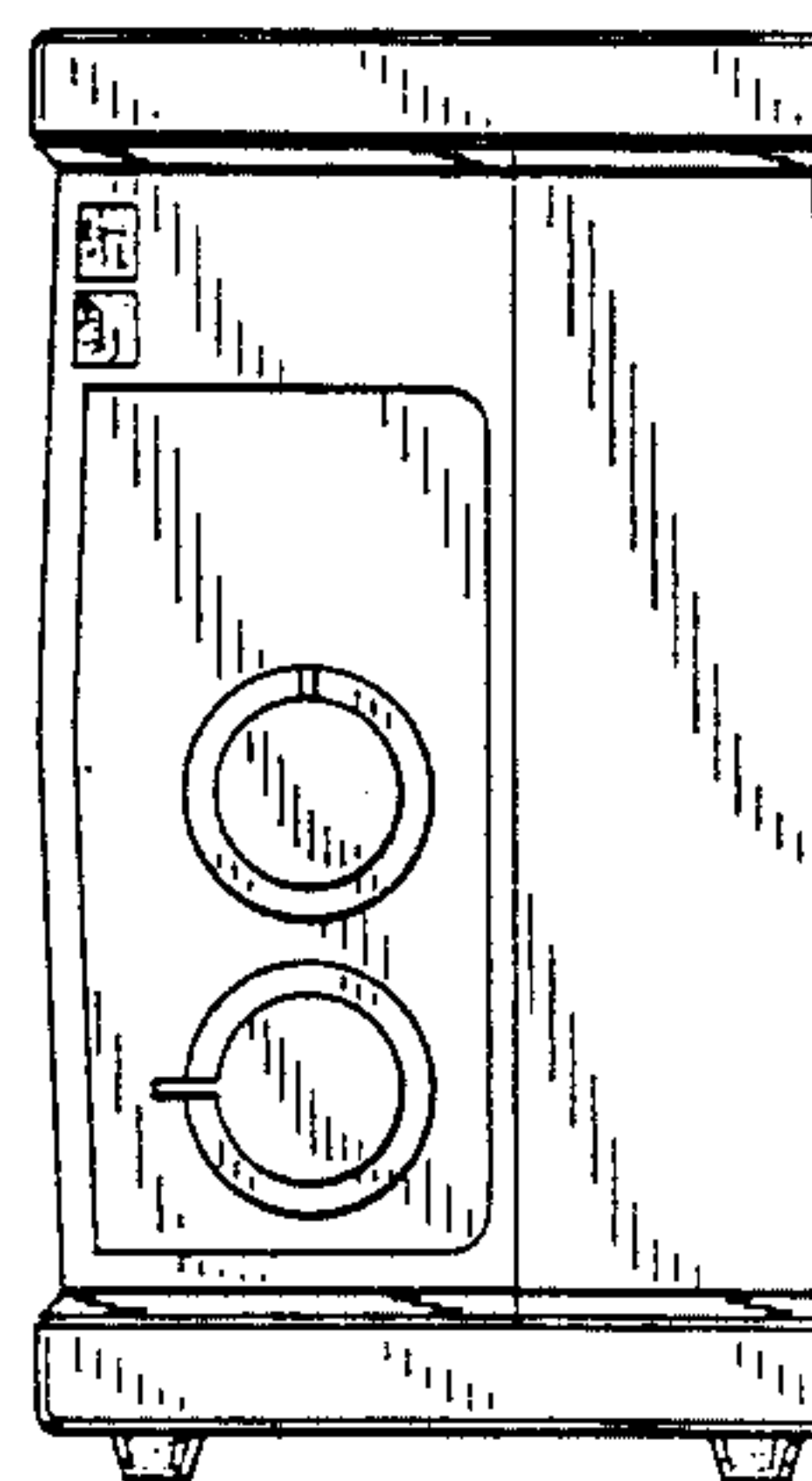
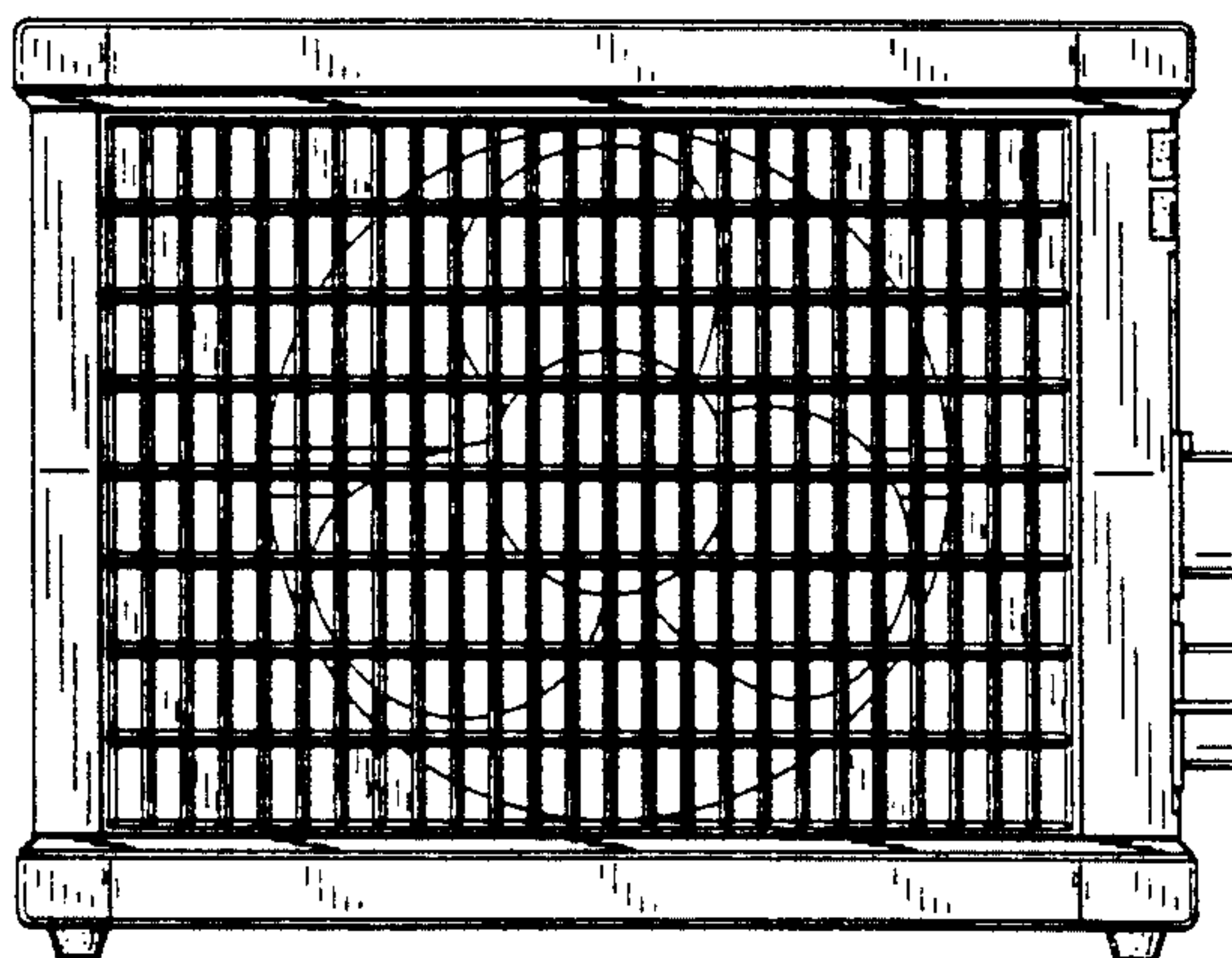
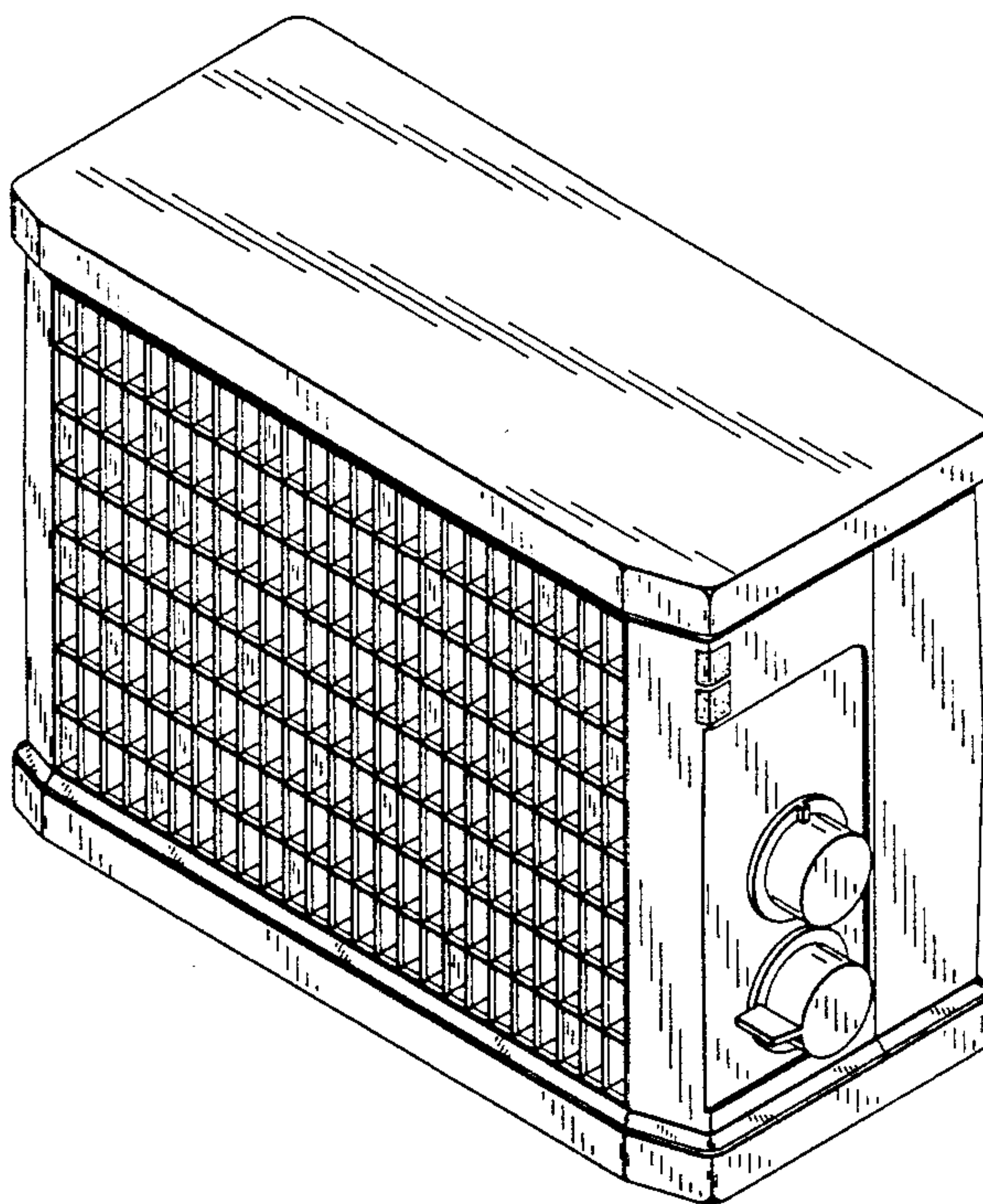
DESCRIPTION

FIG. 1 is a front right perspective view of a portable fan electrical heater;
 FIG. 2 is a front elevational view thereof;
 FIG. 3 is a rear elevational view thereof;
 FIG. 4 is a right side elevational view thereof;
 FIG. 5 is a left side elevational view thereof;
 FIG. 6 is a top plan view thereof; and,
 FIG. 7 is a bottom plan view thereof.

[56] References Cited

U.S. PATENT DOCUMENTS

D. 318,723 7/1991 Chiu D23/337



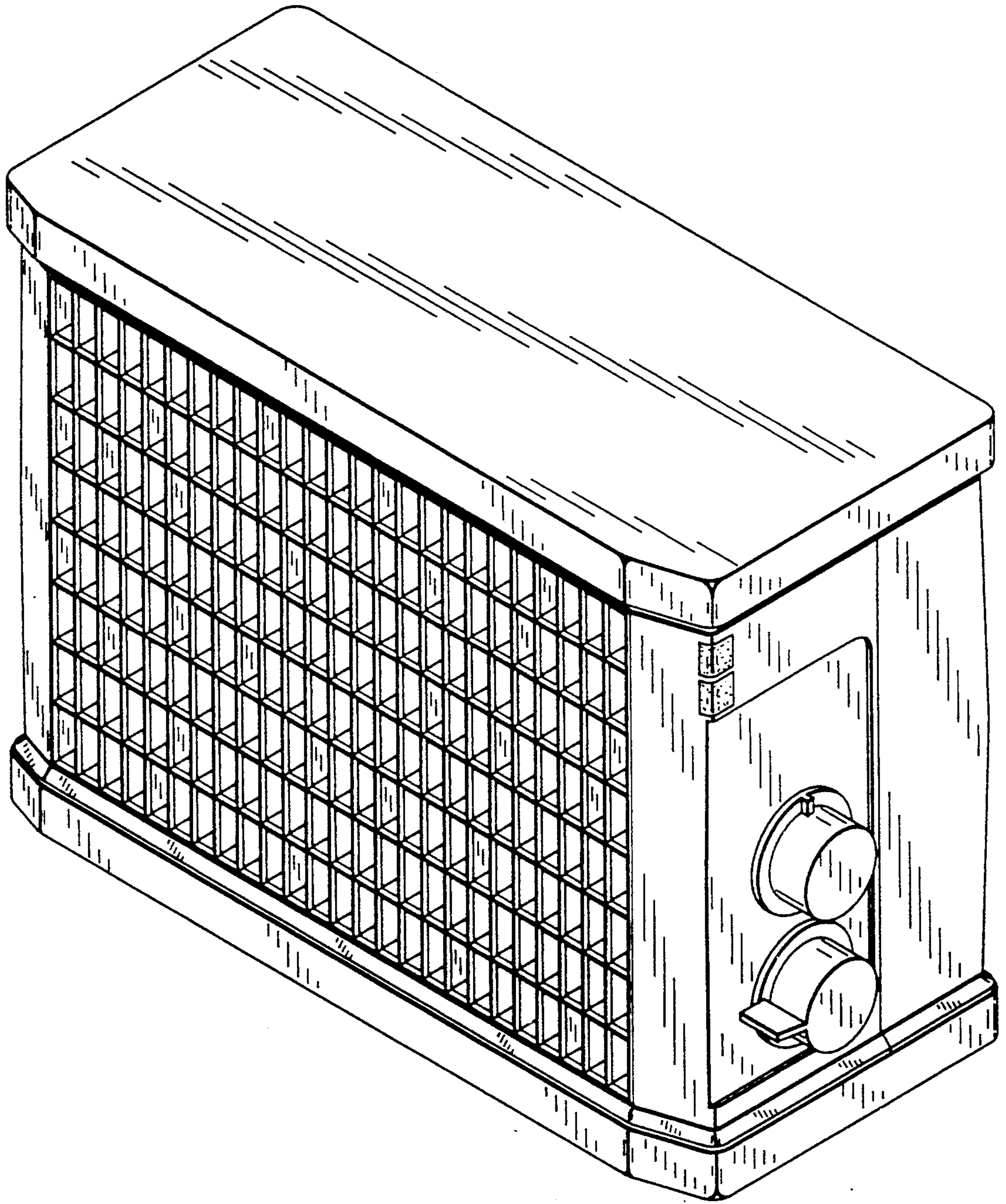


FIG. 1

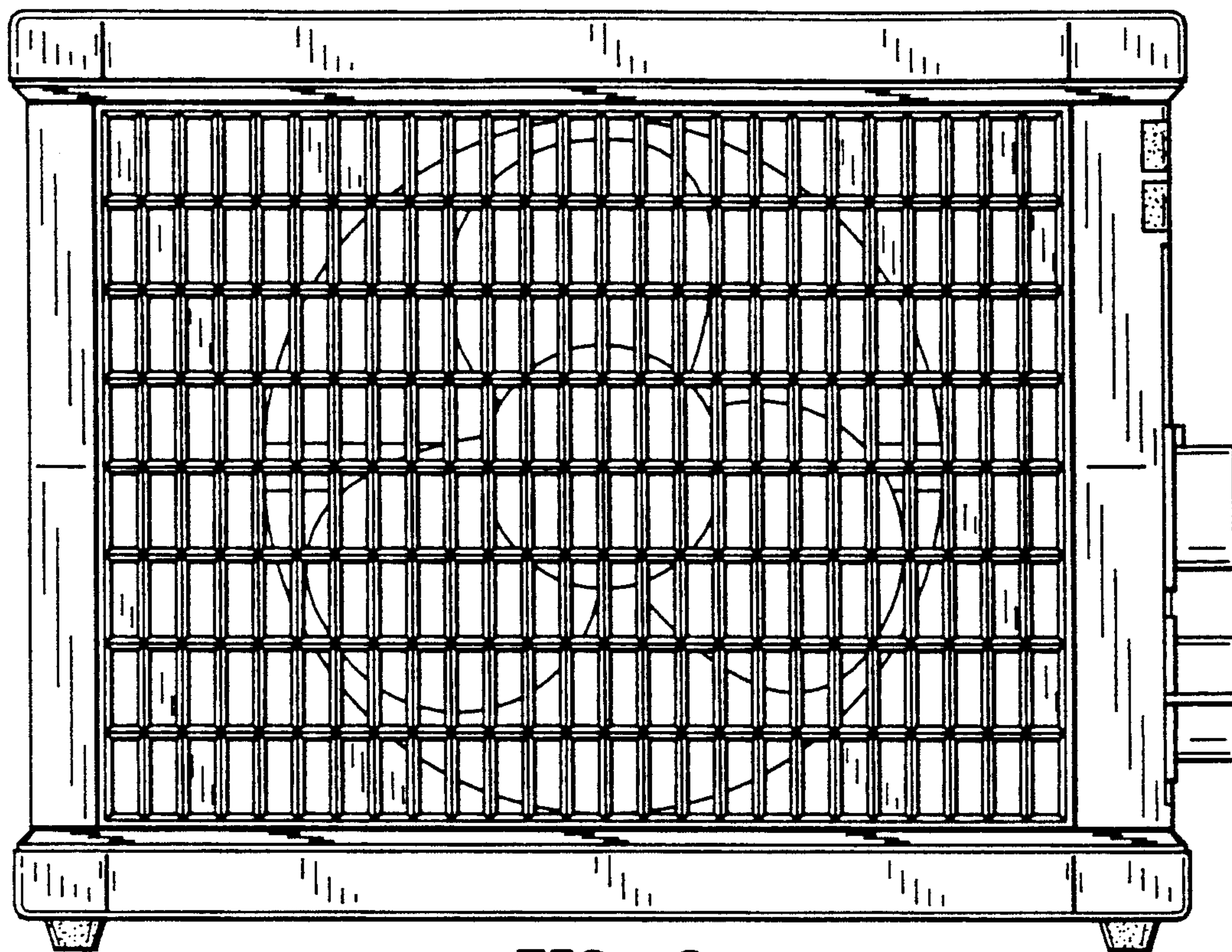


FIG. 2

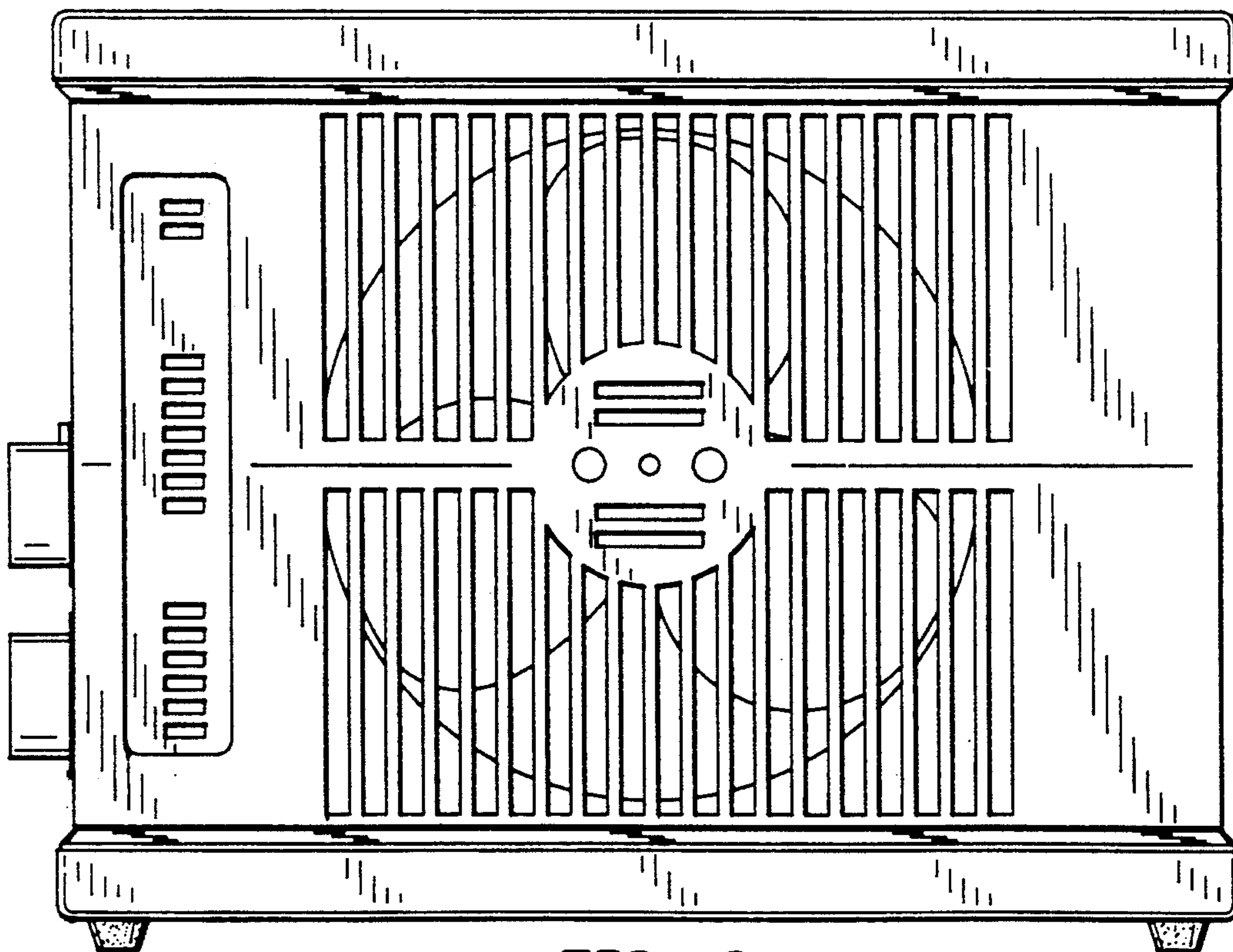


FIG. 3

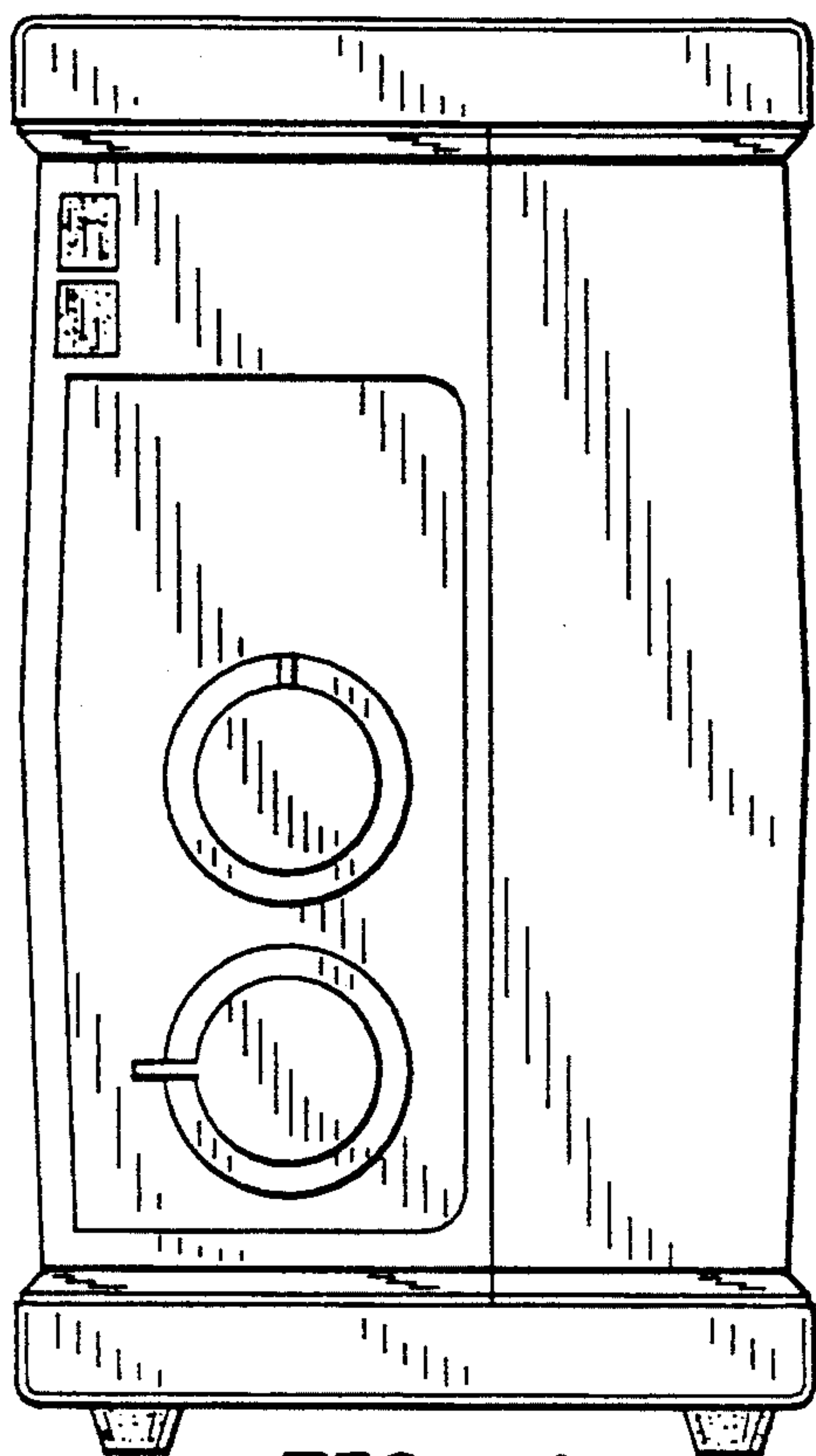


FIG. 4

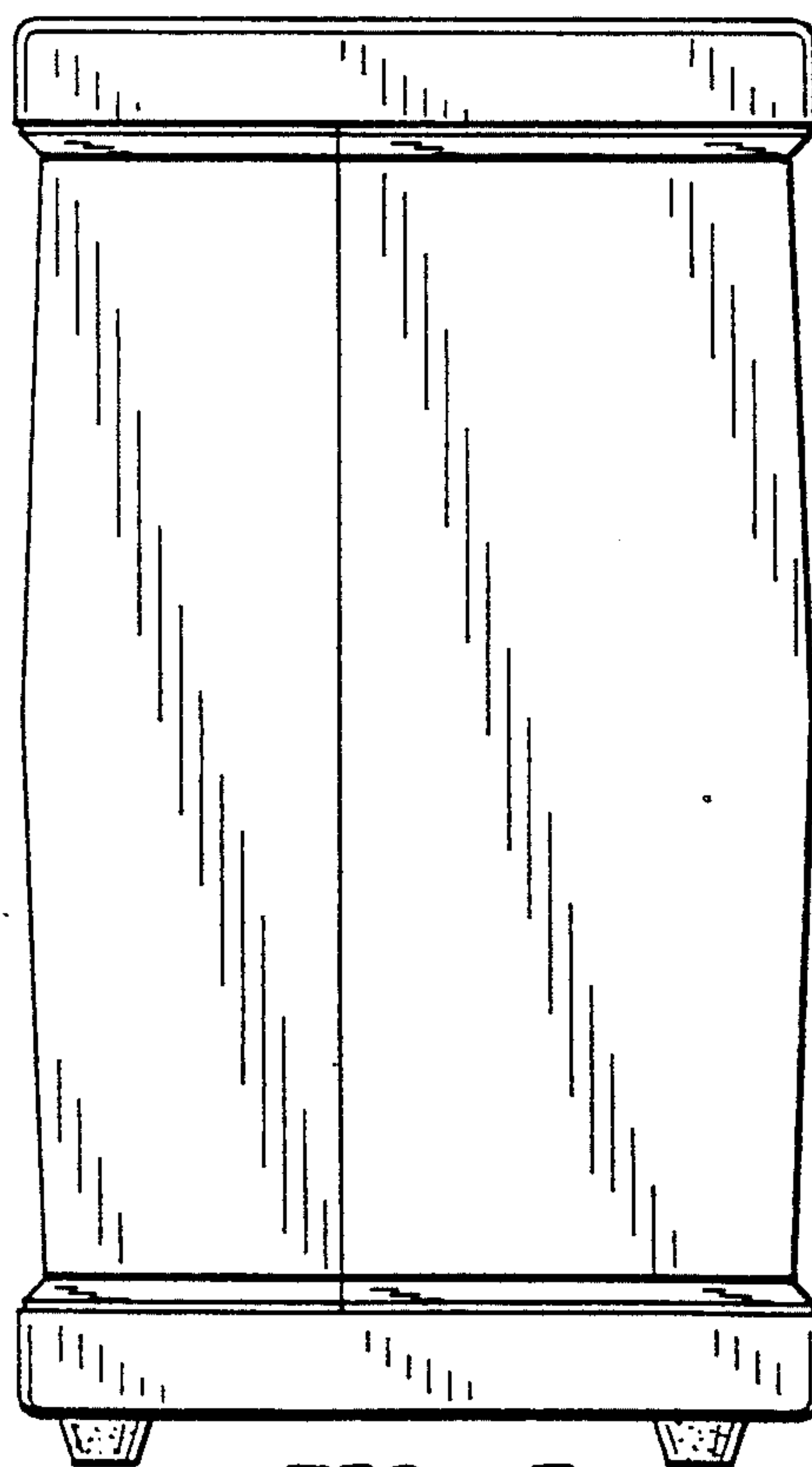


FIG. 5

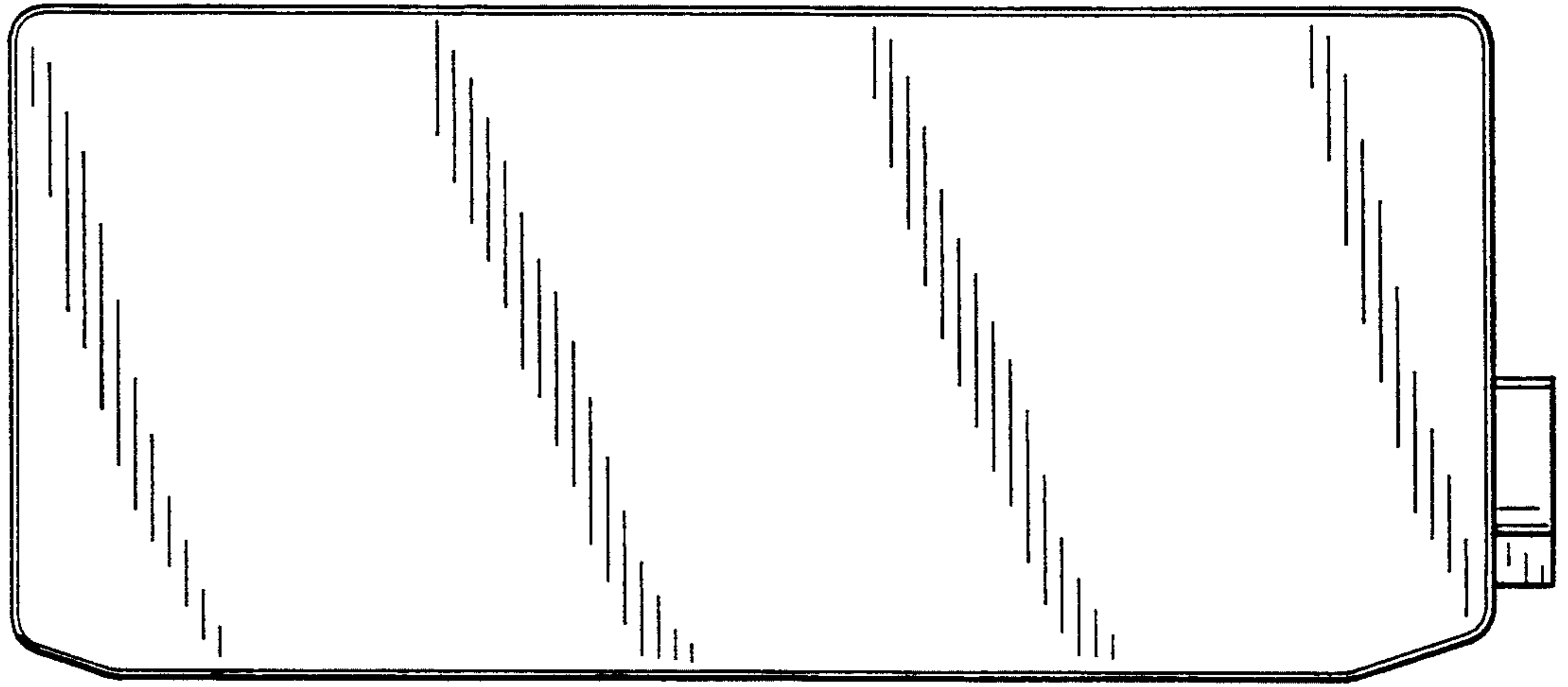


FIG. 6

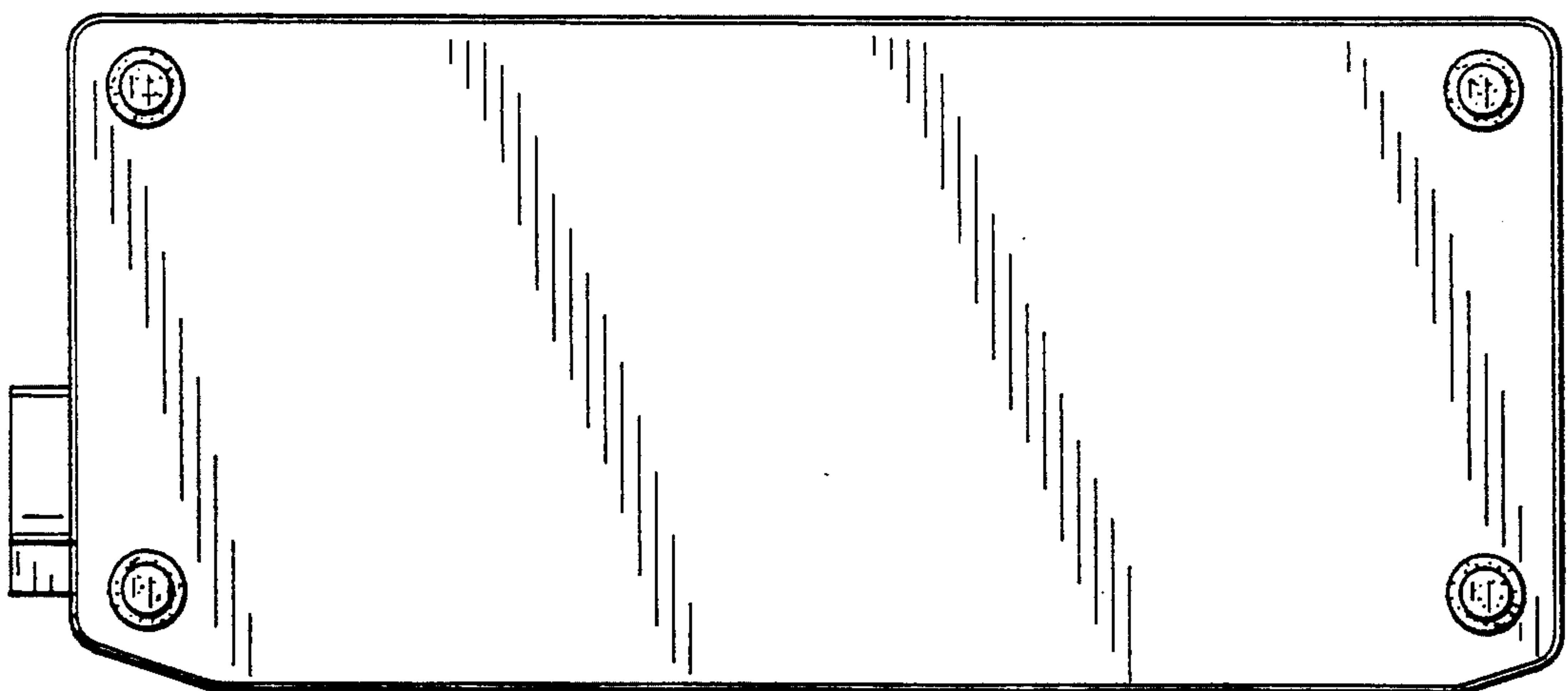


FIG. 7