



US00D346853S

# United States Patent [19] Gruber

[11] Patent Number: **Des. 346,853**

[45] Date of Patent: **\*\* May 10, 1994**

[54] **LAVATORY BASIN**

[75] Inventor: **George S. Gruber**, Canyon Country, Calif.

[73] Assignee: **Six Eleven Limited**, North Hollywood, Calif.

[\*] Notice: The portion of the term of this patent subsequent to Apr. 26, 2008 has been disclaimed.

[\*\*] Term: **14 Years**

[21] Appl. No.: **721,352**

[22] Filed: **Jun. 20, 1991**

[52] U.S. Cl. .... **D23/294**

[58] Field of Search ..... 4/580, 619, 630-636, 4/639, 640, 642, 650-660, DIG. 18; D23/271-275, 284, 294

[56] **References Cited**

**U.S. PATENT DOCUMENTS**

D. 84,498 2/1931 Steele ..... D23/294

D. 90,757	9/1933	Farrar	.....	D23/291
D. 212,418	10/1968	Doman	.....	D23/284
D. 222,586	11/1971	Hives	.....	D23/294
D. 223,667	5/1972	DiPierro et al.	.....	D23/284
D. 232,093	7/1974	Schroek	.....	D23/284
D. 237,617	11/1975	McIntosh	.....	D23/284
D. 252,100	6/1979	Morris et al.	.....	D23/284
D. 298,963	12/1988	Ament	.....	D23/291
D. 315,402	3/1991	Lenahan	.....	D23/294
D. 321,753	11/1991	Bengtson et al.	.....	D23/284

*Primary Examiner*—James R. Largen

[57] **CLAIM**

The ornamental design for a lavatory, as shown and described.

**DESCRIPTION**

FIG. 1 is a top perspective view of a lavatory basin showing my new design;  
FIG. 2 is a top plan view thereof;  
FIG. 3 is a left side elevational view thereof, the right side being a mirror image of the left side;  
FIG. 4 is a front elevational view thereof; and,  
FIG. 5 is a rear elevational view thereof.

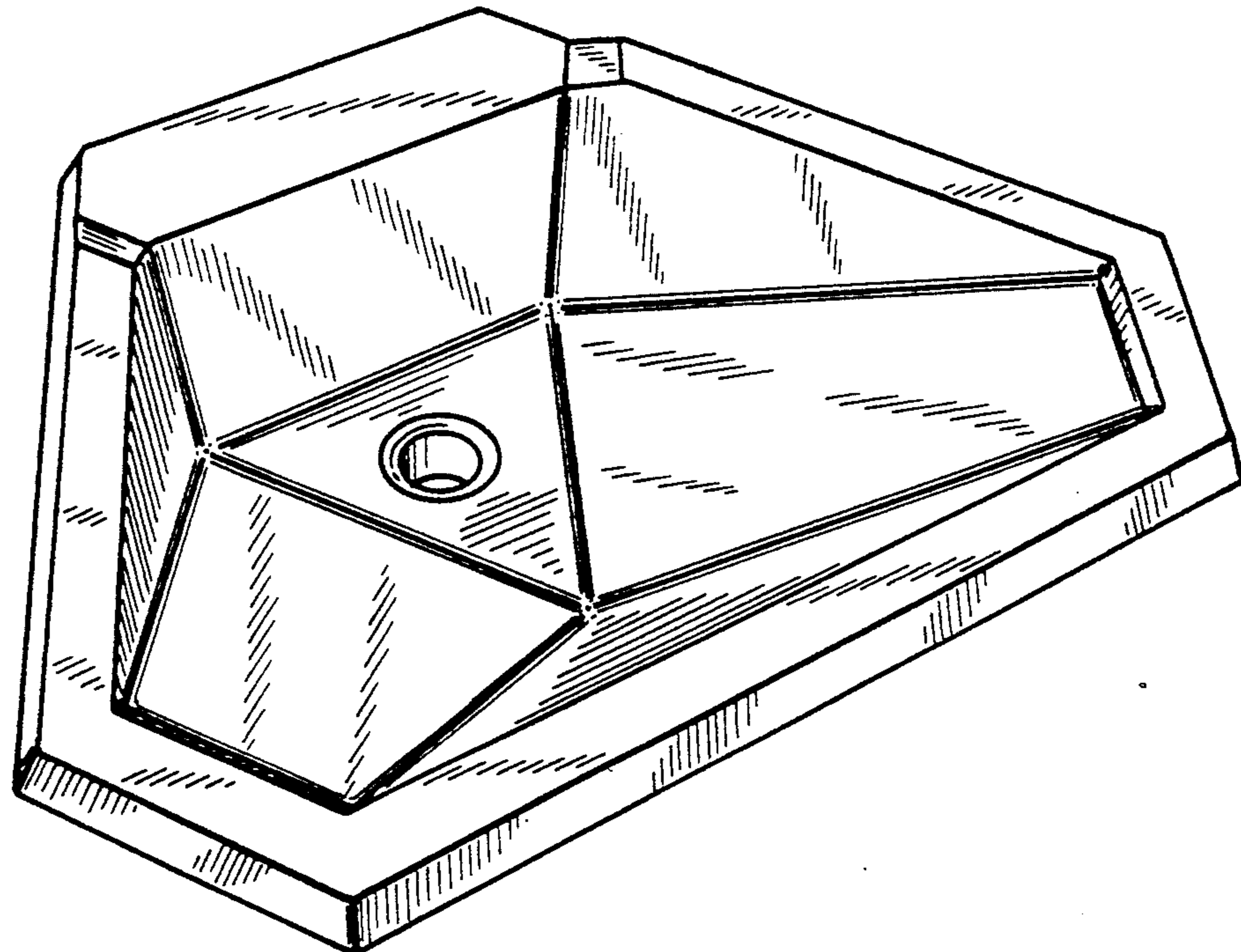


FIG-1

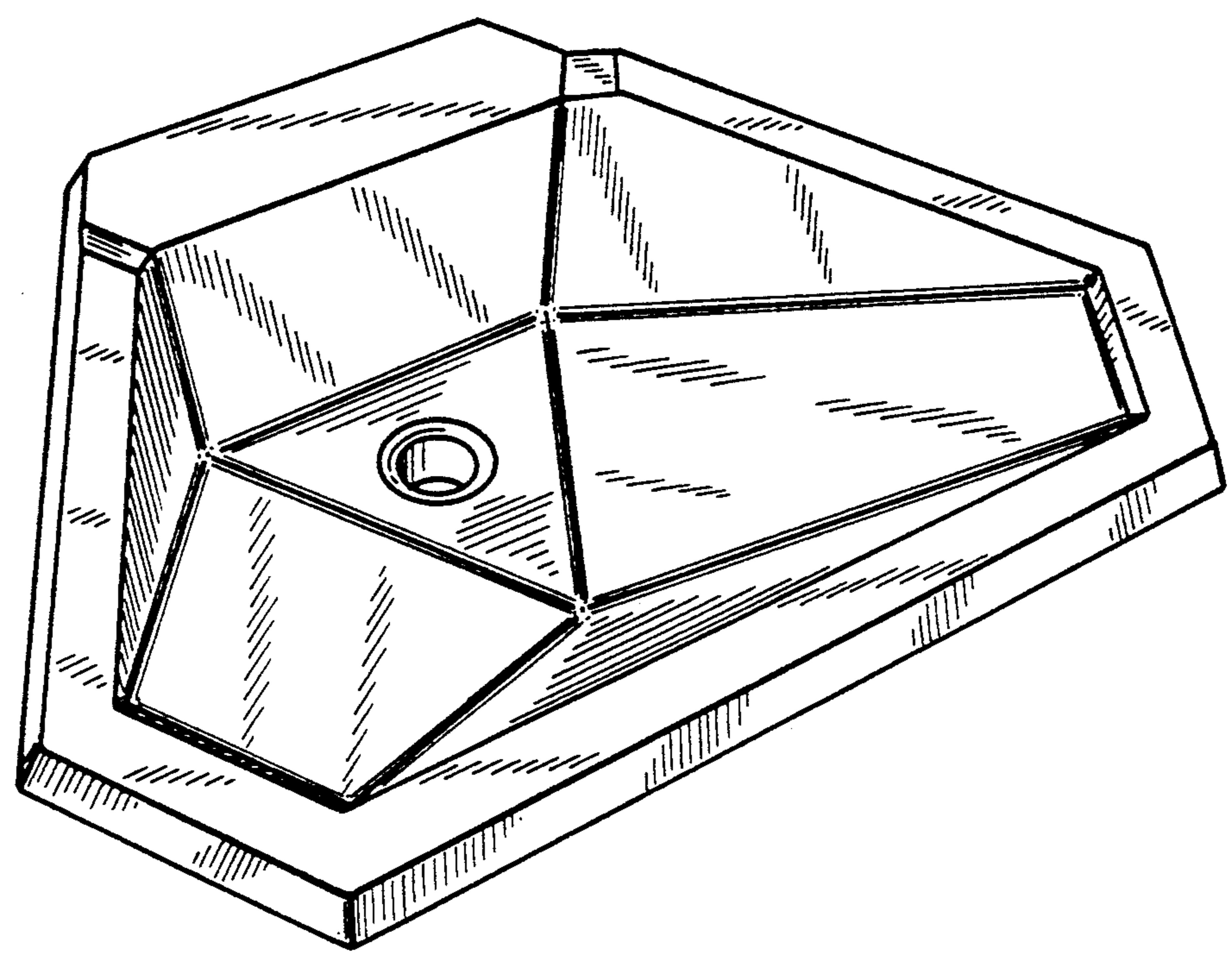


FIG-2

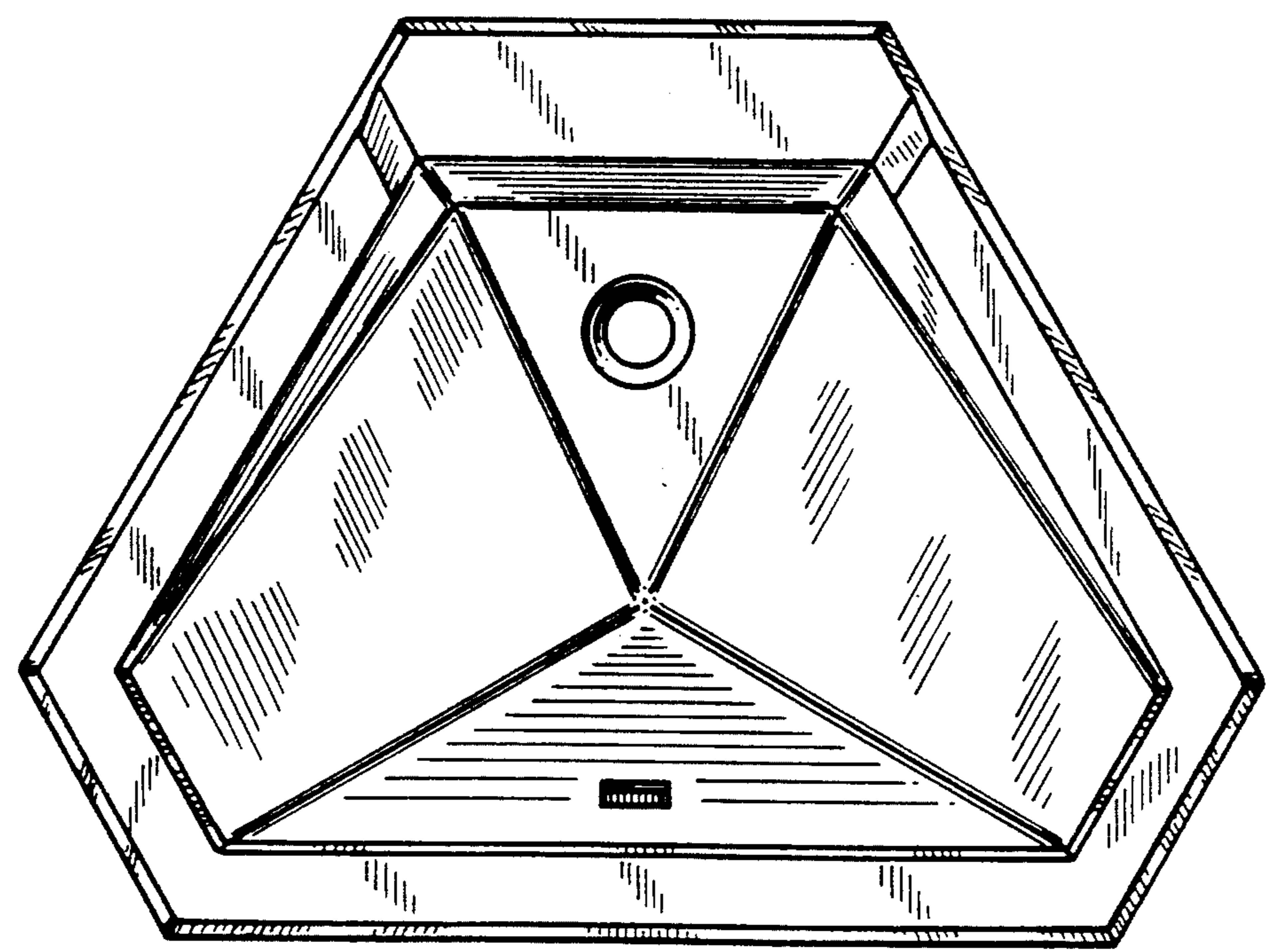


FIG-3

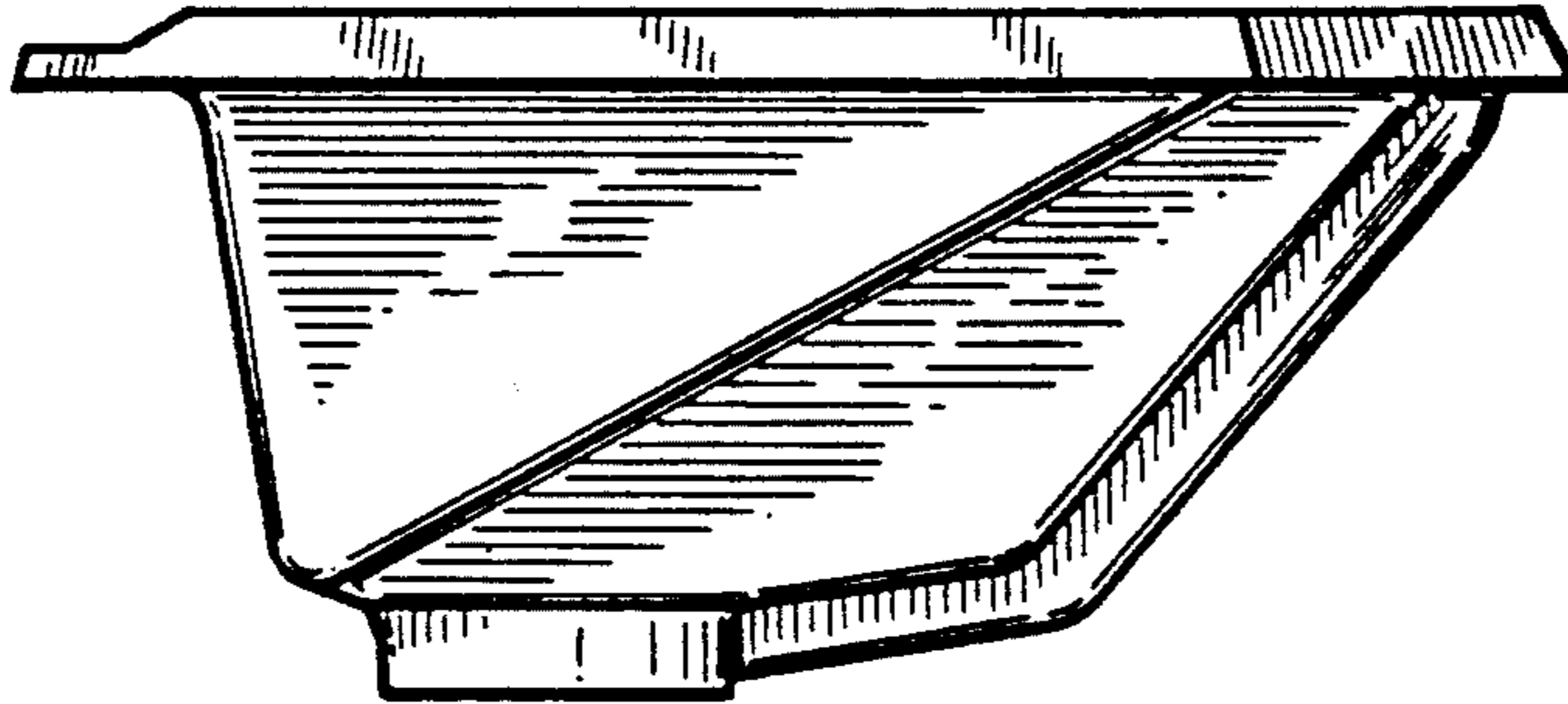


FIG-4

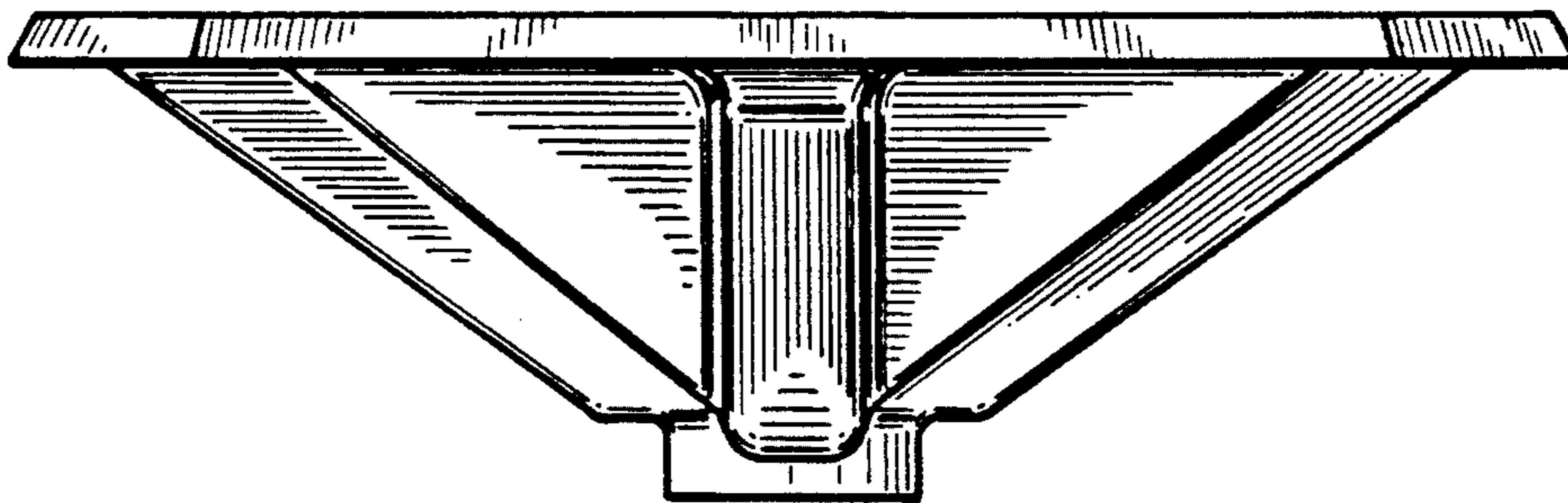


FIG-5

