



US00D346851S

# United States Patent [19]

[11] Patent Number: **Des. 346,851**

Howe

[45] Date of Patent: **\*\* May 10, 1994**

[54] **SPRAY GUN**

[76] Inventor: **David Howe**, 467 W. Duane, Benson, Ariz. 85602

[\*\*] Term: **14 Years**

[21] Appl. No.: **847,980**

[22] Filed: **Mar. 9, 1992**

[52] U.S. Cl. .... **D23/225**

[58] Field of Search ..... 239/301, 332, 373, 394,  
239/414-415, 525-528, 554, 556, 532;  
D23/213, 223-227

[56] **References Cited**

**U.S. PATENT DOCUMENTS**

|            |        |             |       |           |
|------------|--------|-------------|-------|-----------|
| D. 78,205  | 4/1929 | Hermann     | ..... | D23/225   |
| D. 211,172 | 5/1968 | Johnson     | ..... | D23/225   |
| 1,703,384  | 2/1929 | Birkenmaier | ..... | 239/301   |
| 3,524,589  | 8/1970 | Pelton, Jr. | ..... | 239/414 X |
| 4,693,423  | 9/1987 | Roe et al.  | ..... | 239/332   |

**OTHER PUBLICATIONS**

Daniel Smith Catalog of Artists Materials item Iwata Spray Gun RG-2, 1991-1992.

*Primary Examiner*—Wallace R. Burke

*Assistant Examiner*—M. H. Tung

*Attorney, Agent, or Firm*—Don J. Flickinger; Jordan M. Meschkow; Lowell W. Gresham

[57] **CLAIM**

The ornamental design for a spray gun, as shown and described.

**DESCRIPTION**

FIG. 1 is a perspective view of a spray gun, showing my new design;

FIG. 2 is a top plan view;

FIG. 3 is a right side elevational view, the left side elevational view being a mirror image thereof;

FIG. 4 is a front elevational view;

FIG. 5 is a rear elevational view; and,

FIG. 6 is a bottom plan view.

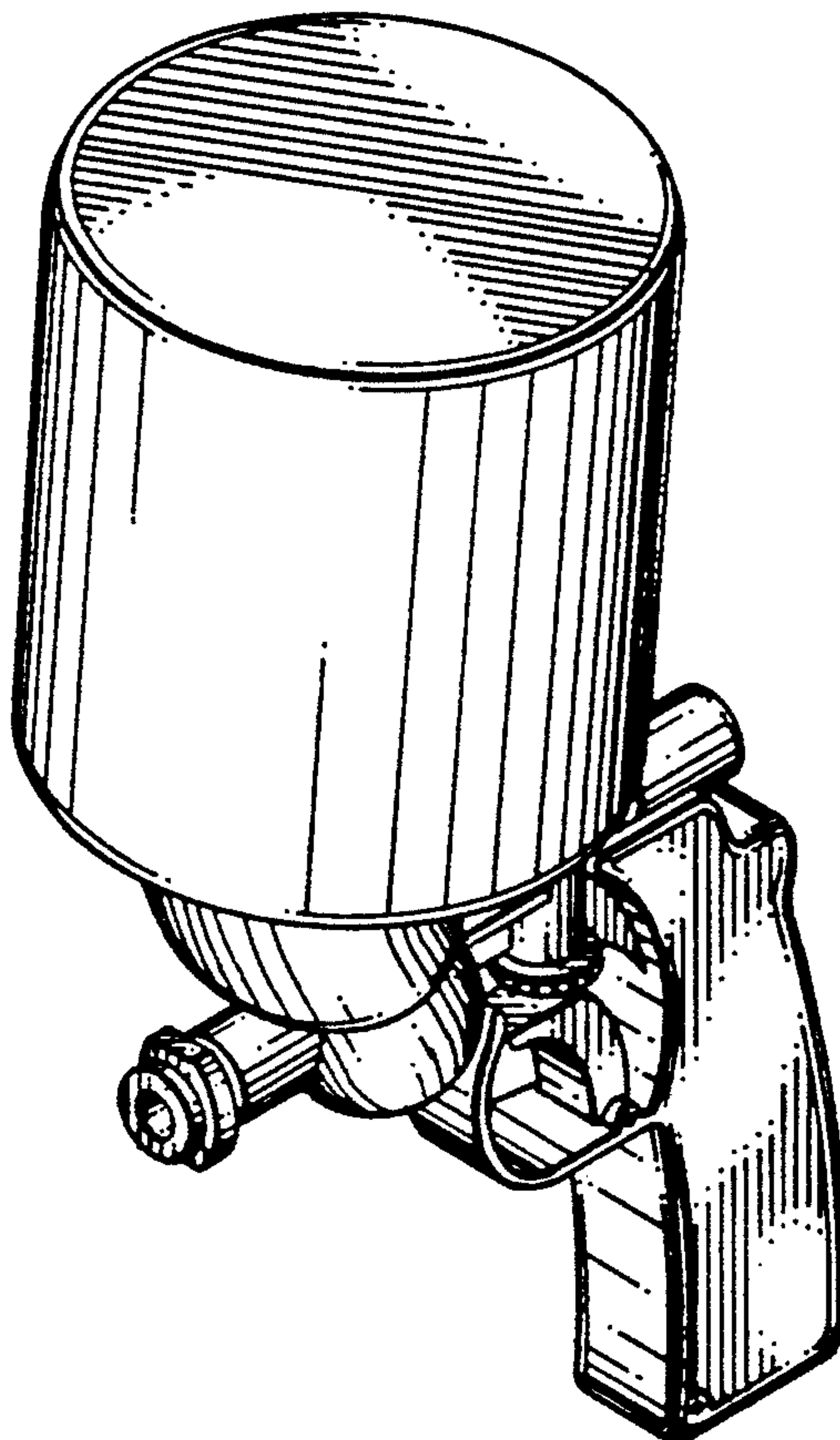


FIG. 1

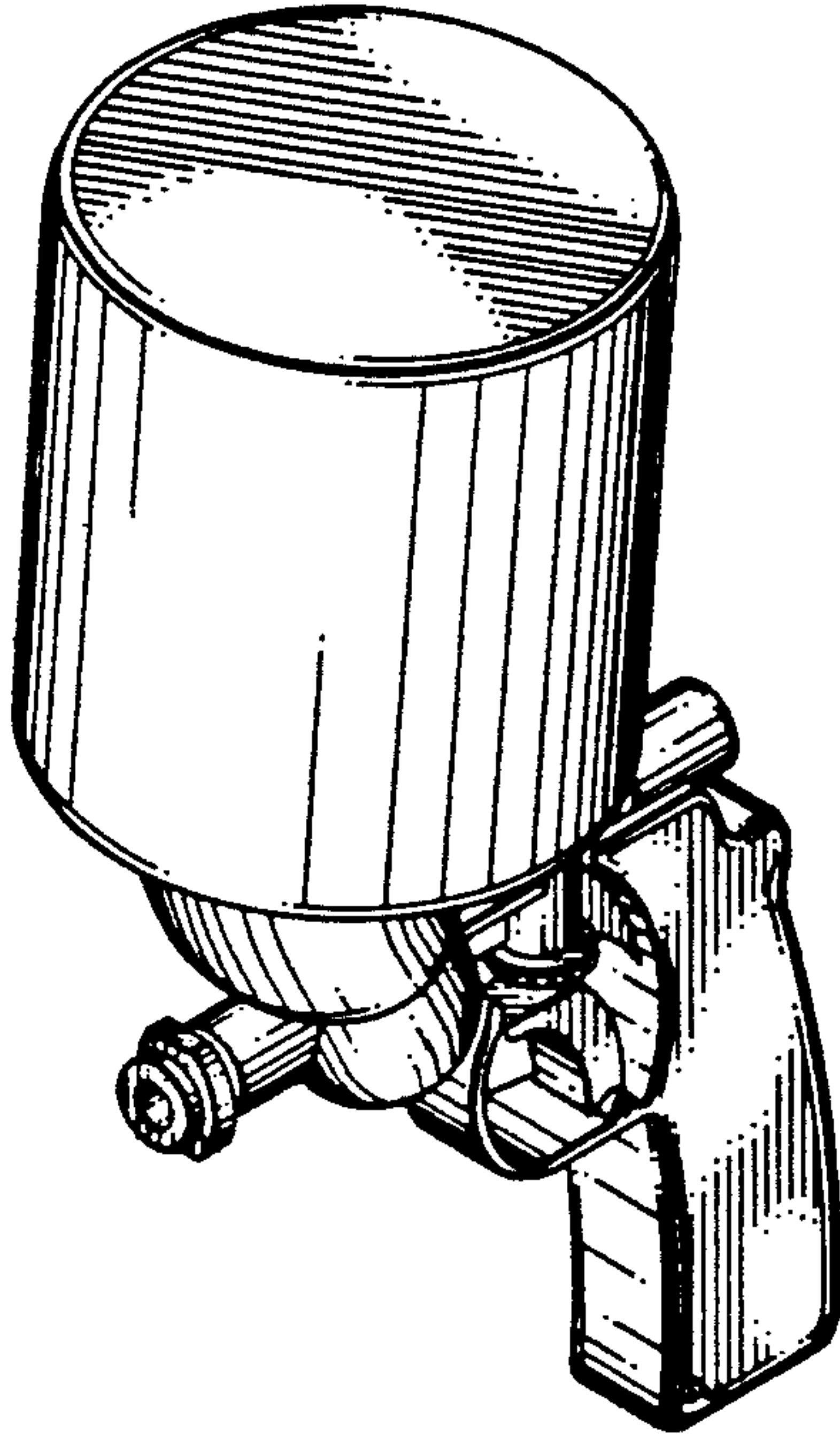


FIG. 2

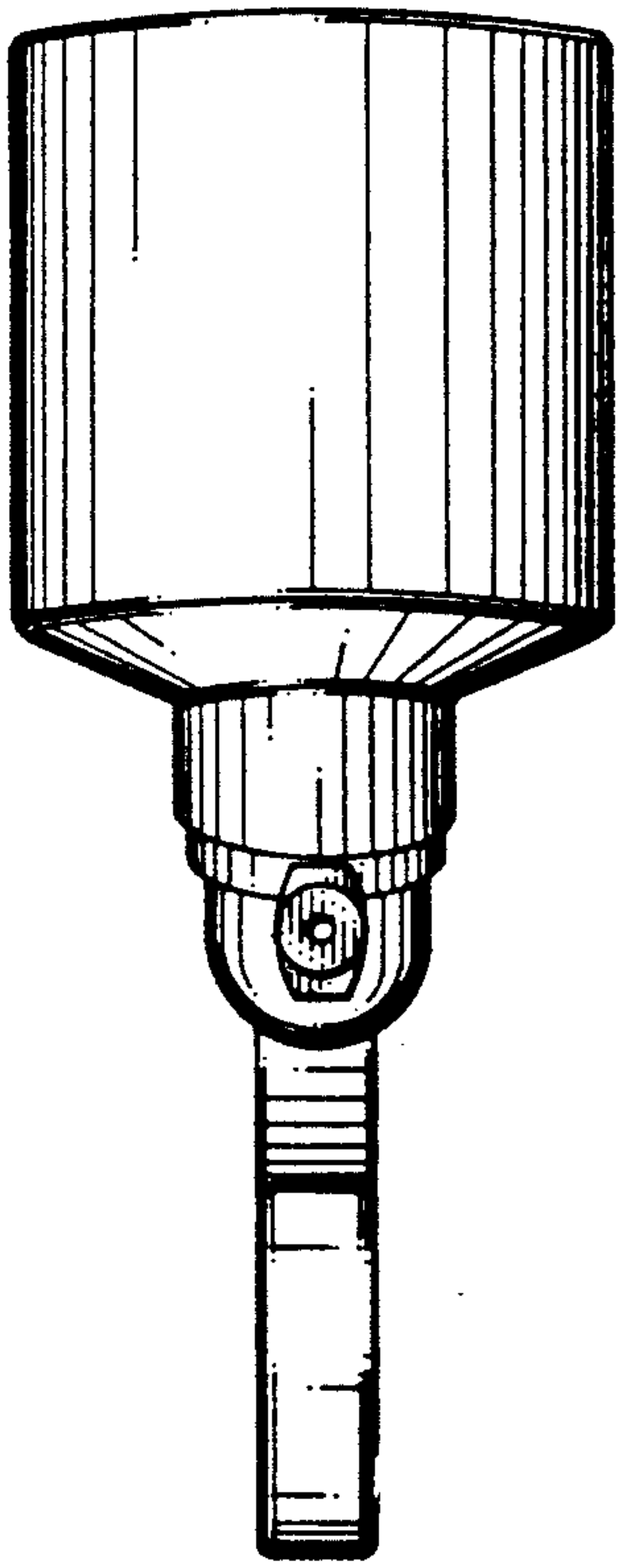
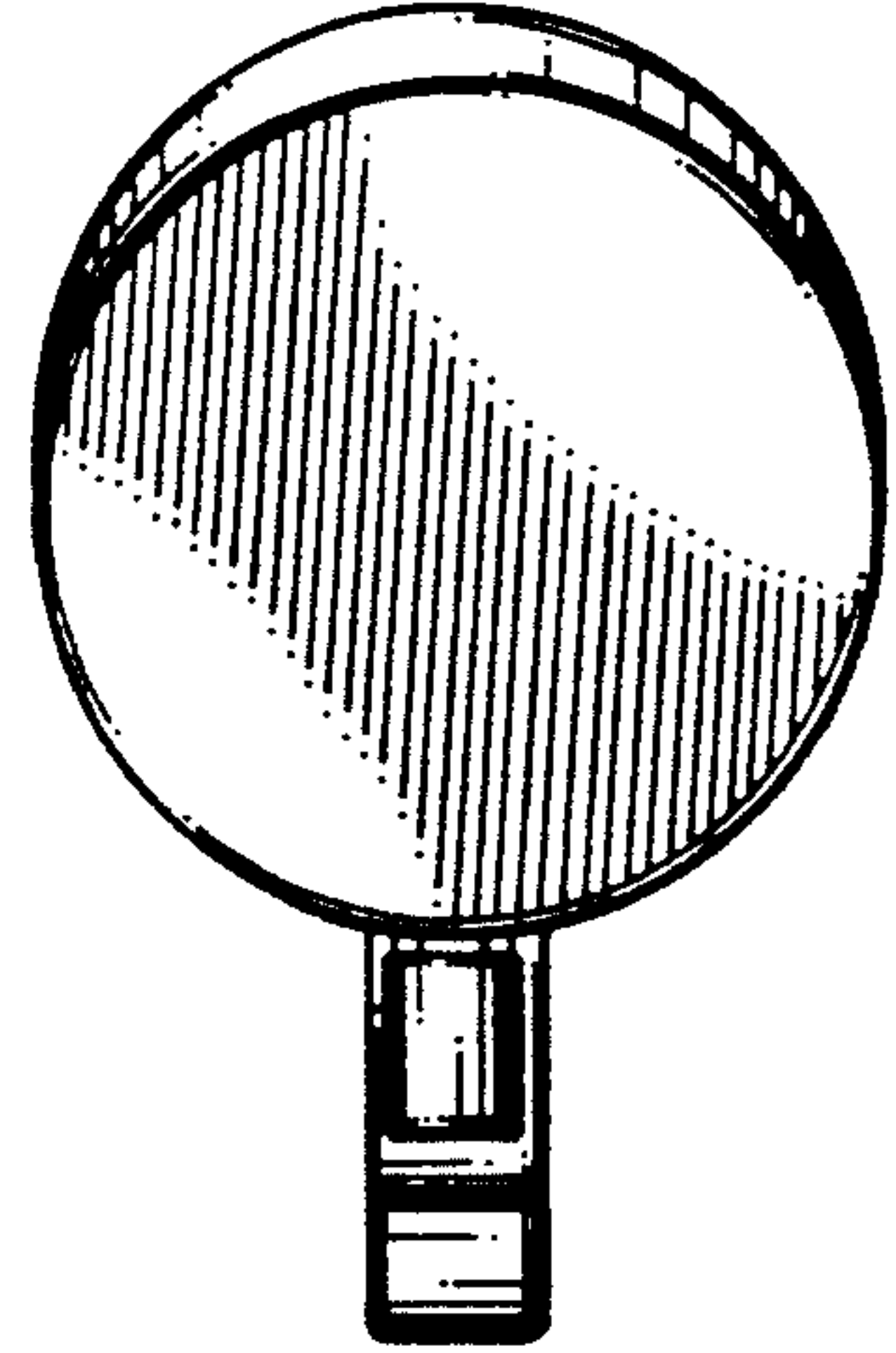


FIG. 4

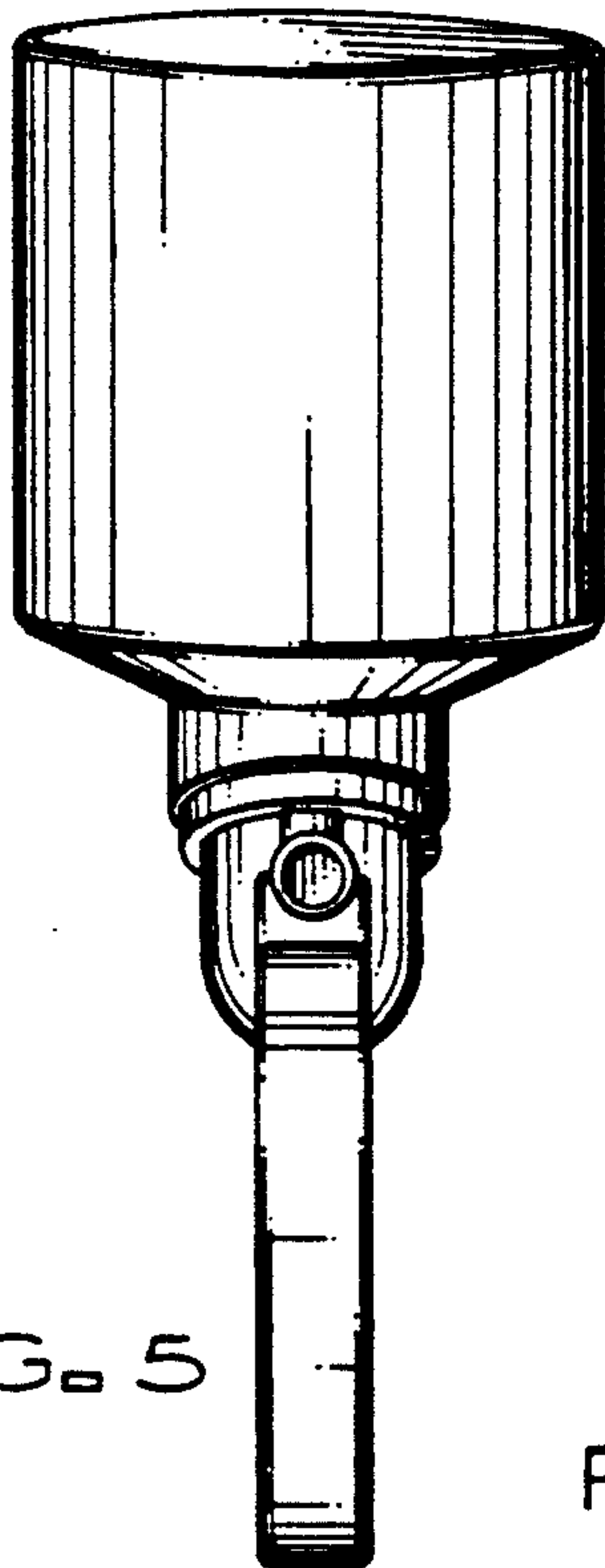


FIG. 5

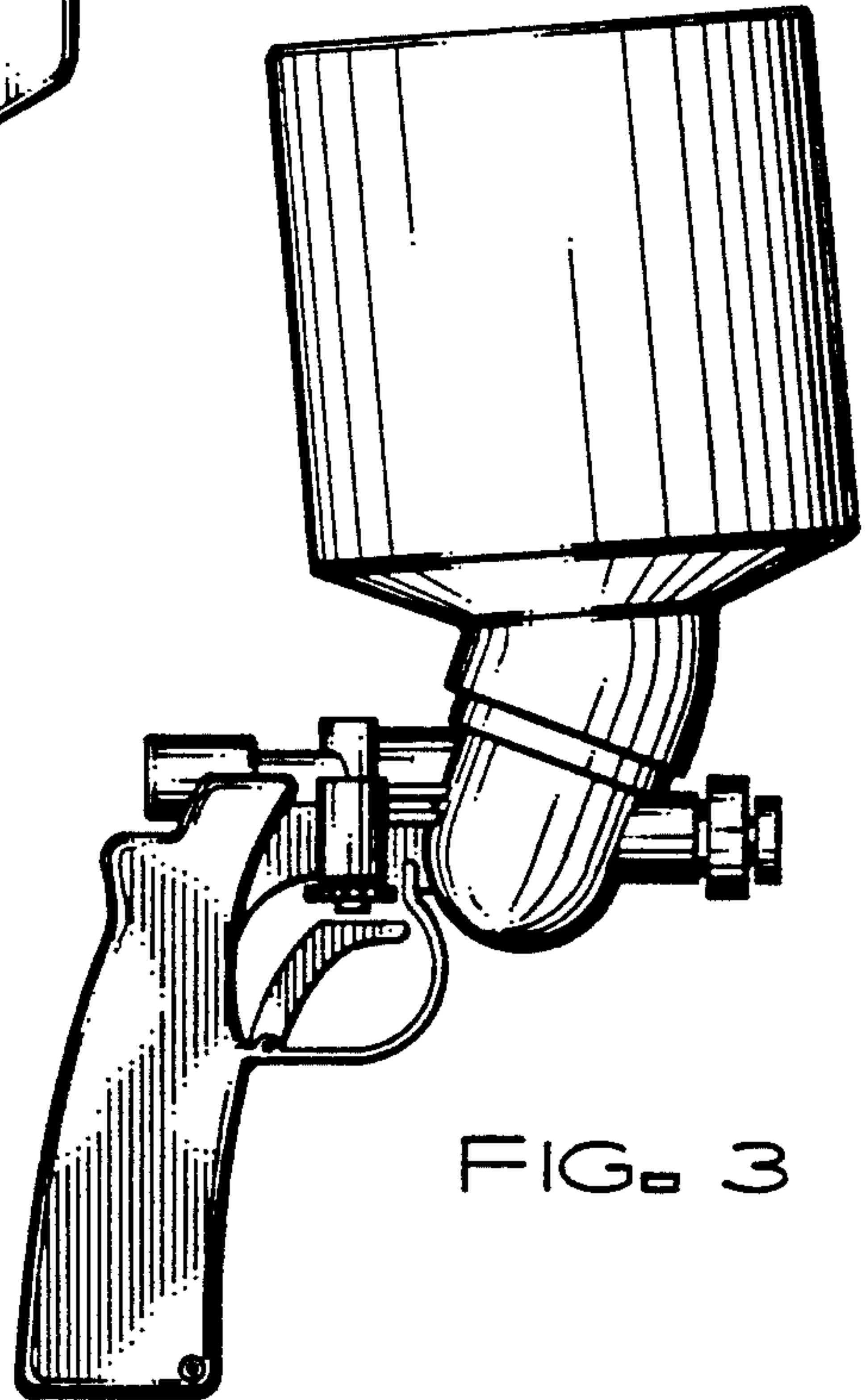


FIG. 3

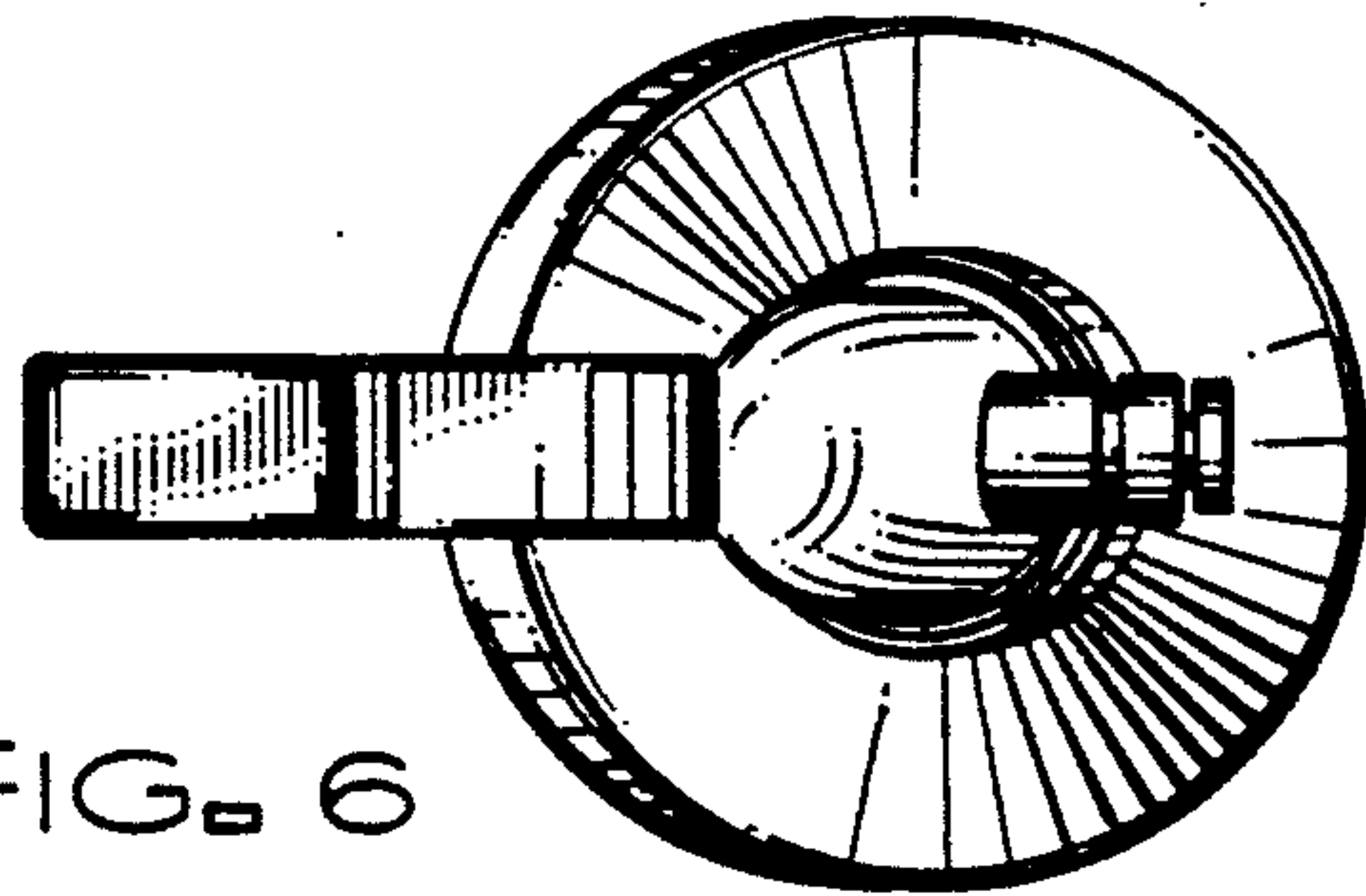


FIG. 6