



US00D346844S

United States Patent [19]
D'Andrade

[11] **Patent Number: Des. 346,844**

[45] **Date of Patent: ** May 10, 1994**

[54] **TOY ROCKET**

[76] **Inventor: Bruce M. D'Andrade, 3 Ten Eyck Rd., Whitehouse Sta., N.J. 08889**

[**] **Term: 14 Years**

[21] **Appl. No.: 901,587**

[22] **Filed: Jun. 19, 1992**

[52] **U.S. Cl. D22/113**

[58] **Field of Search D3/100; 446/187, 211-212, 446/63, 429, 56, 180; D12/16.1; D21/87; D22/113, 115, 112**

3,014,308 12/1961 Parris D21/87
3,292,302 12/1966 Estes et al. 446/212
4,038,776 8/1977 Filipeli 446/429
4,295,290 10/1981 Boswell 446/212
4,779,534 10/1988 Wang D22/112

Primary Examiner—A. Hugo Word
Assistant Examiner—R. Seifert
Attorney, Agent, or Firm—Kenneth P. Glynn

[57] **CLAIM**

The ornamental design for a toy rocket, as shown and described.

DESCRIPTION

FIG. 1 is a front elevational view of a toy rocket showing my new design;

FIG. 2 is a rear elevational view thereof;

FIG. 3 is a left side elevational view thereof;

FIG. 4 is a right side elevational view thereof;

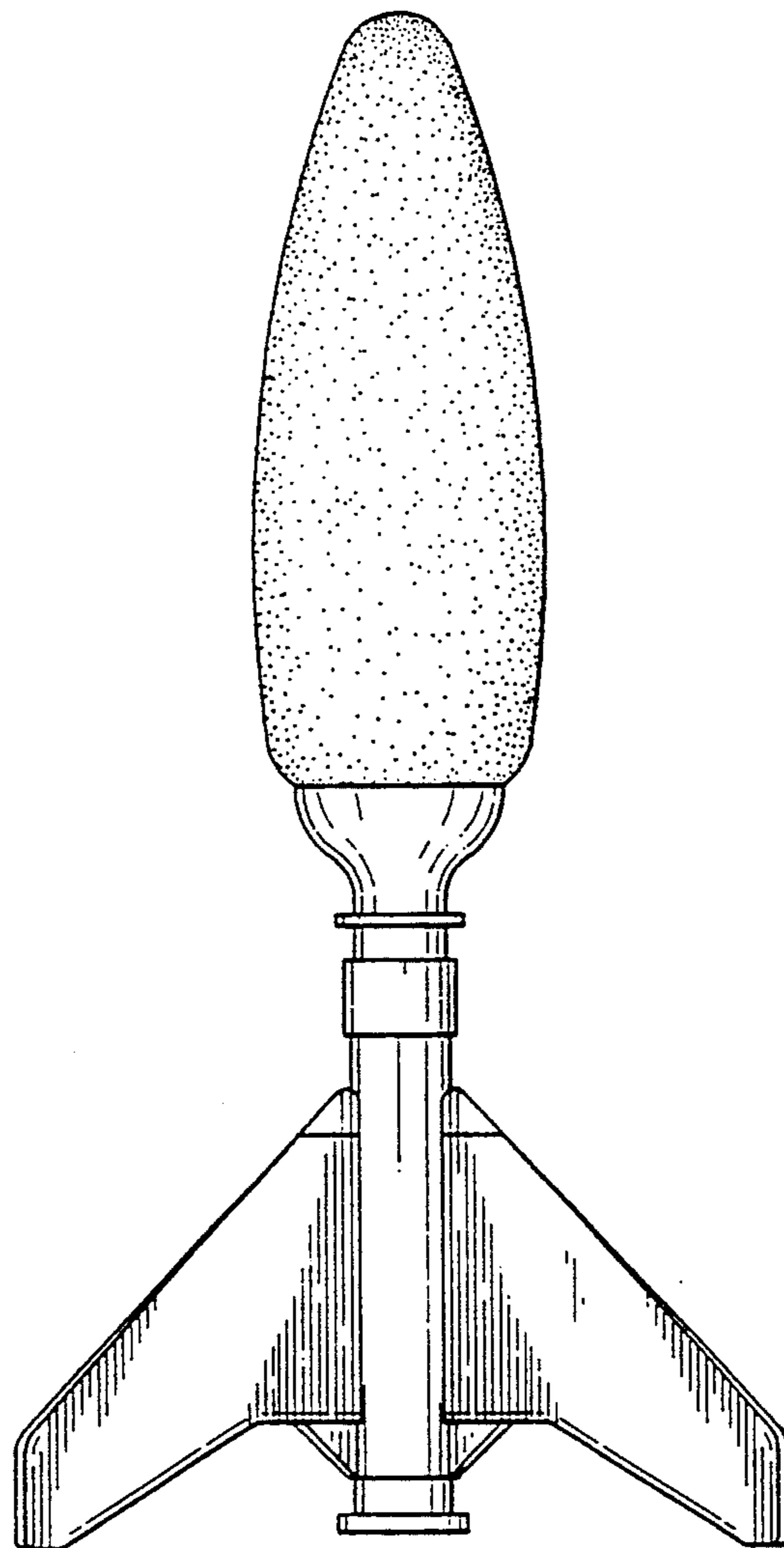
FIG. 5 is a top plan elevational view thereof; and,

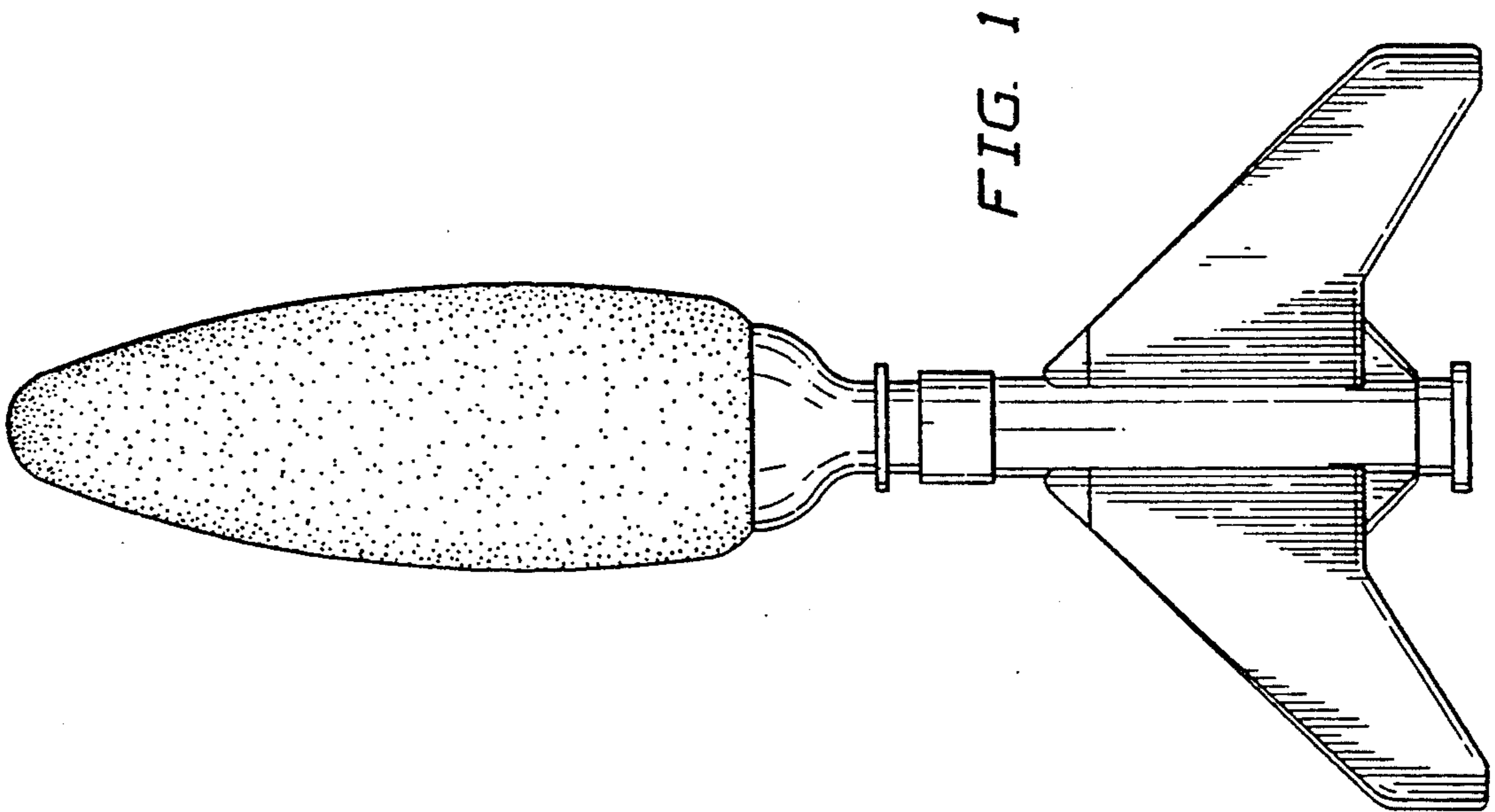
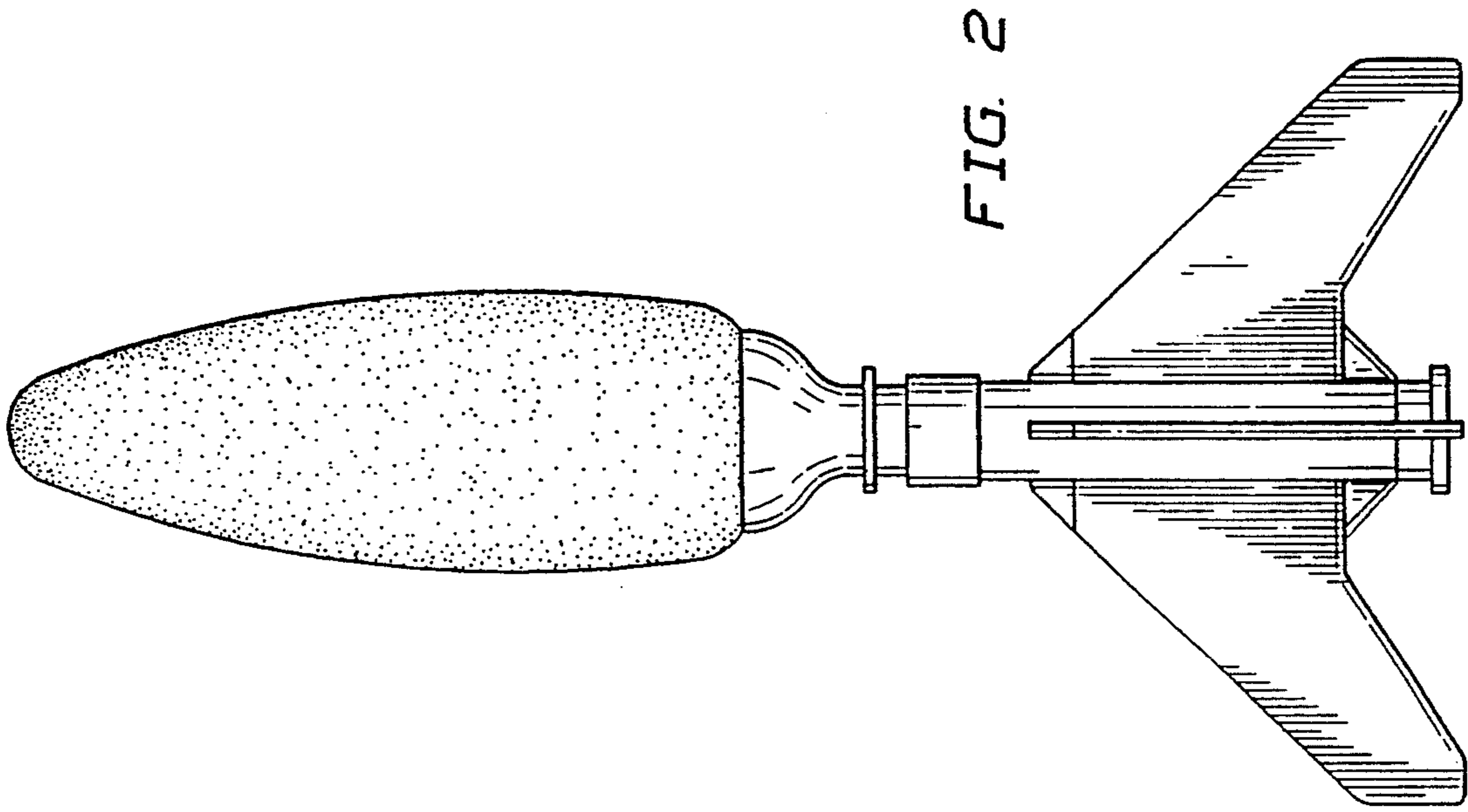
FIG. 6 is a bottom plan view thereof.

[56] **References Cited**

U.S. PATENT DOCUMENTS

D. 324,082 2/1992 Howard D21/87
2,733,699 2/1956 Krinsky 446/429
2,841,084 7/1958 Carlisle D12/16.1
2,879,624 3/1959 Benson 446/187
2,957,272 10/1960 Berzack D21/87





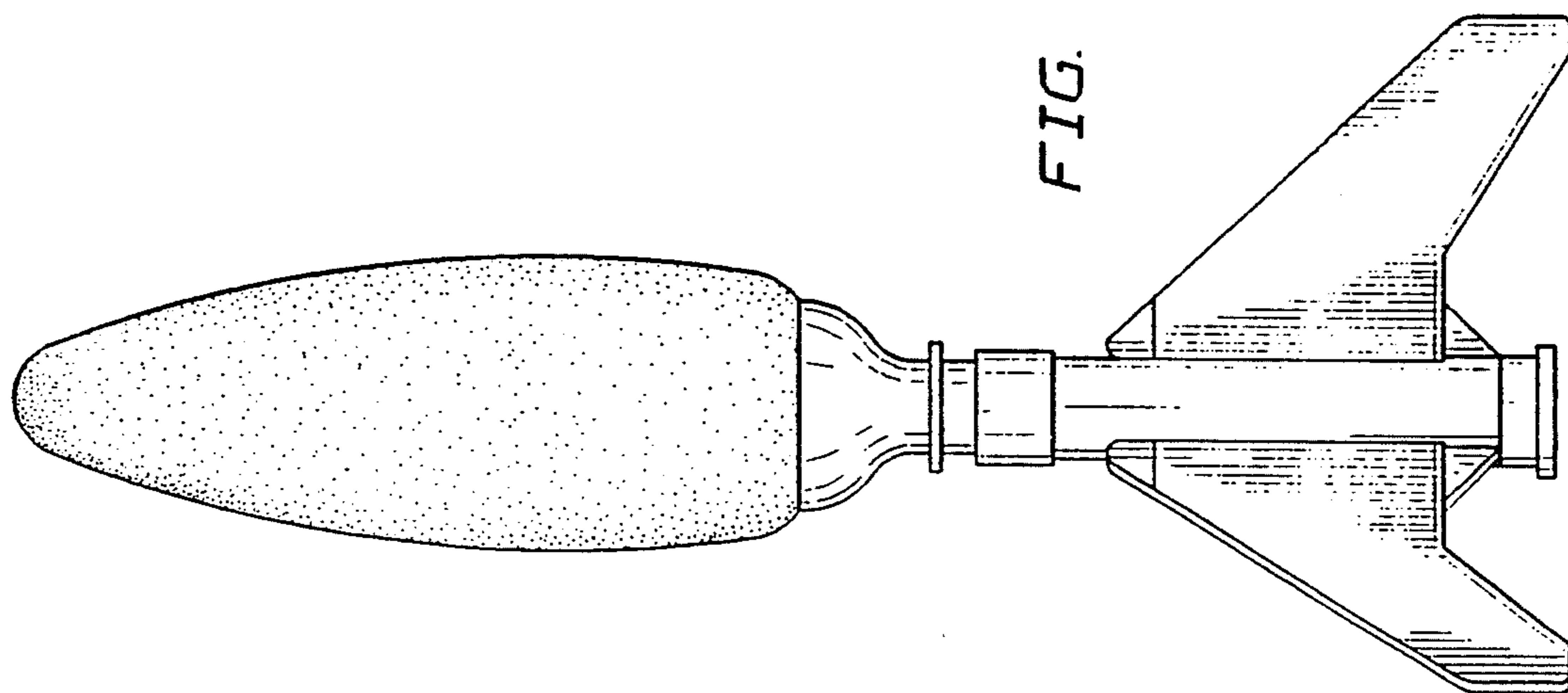


FIG. 4

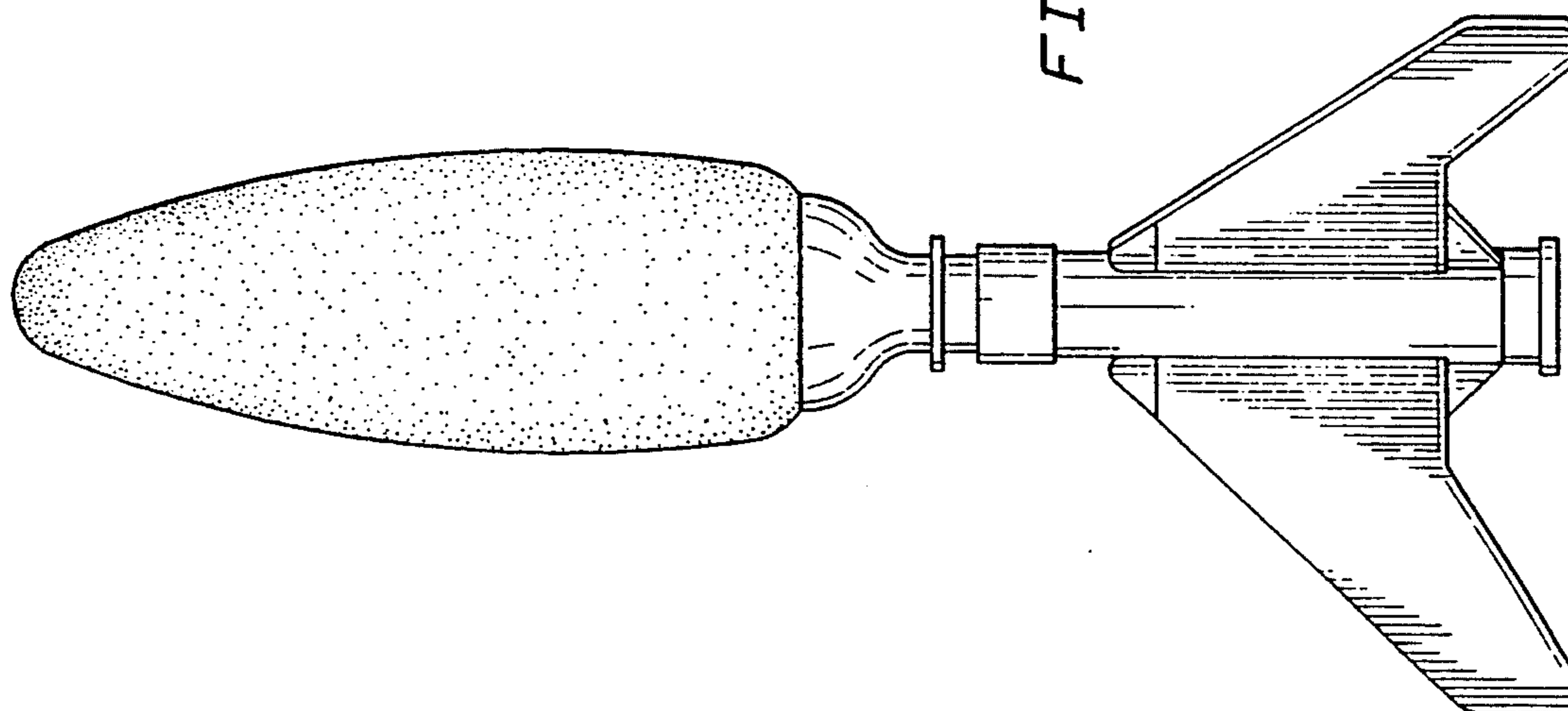


FIG. 3

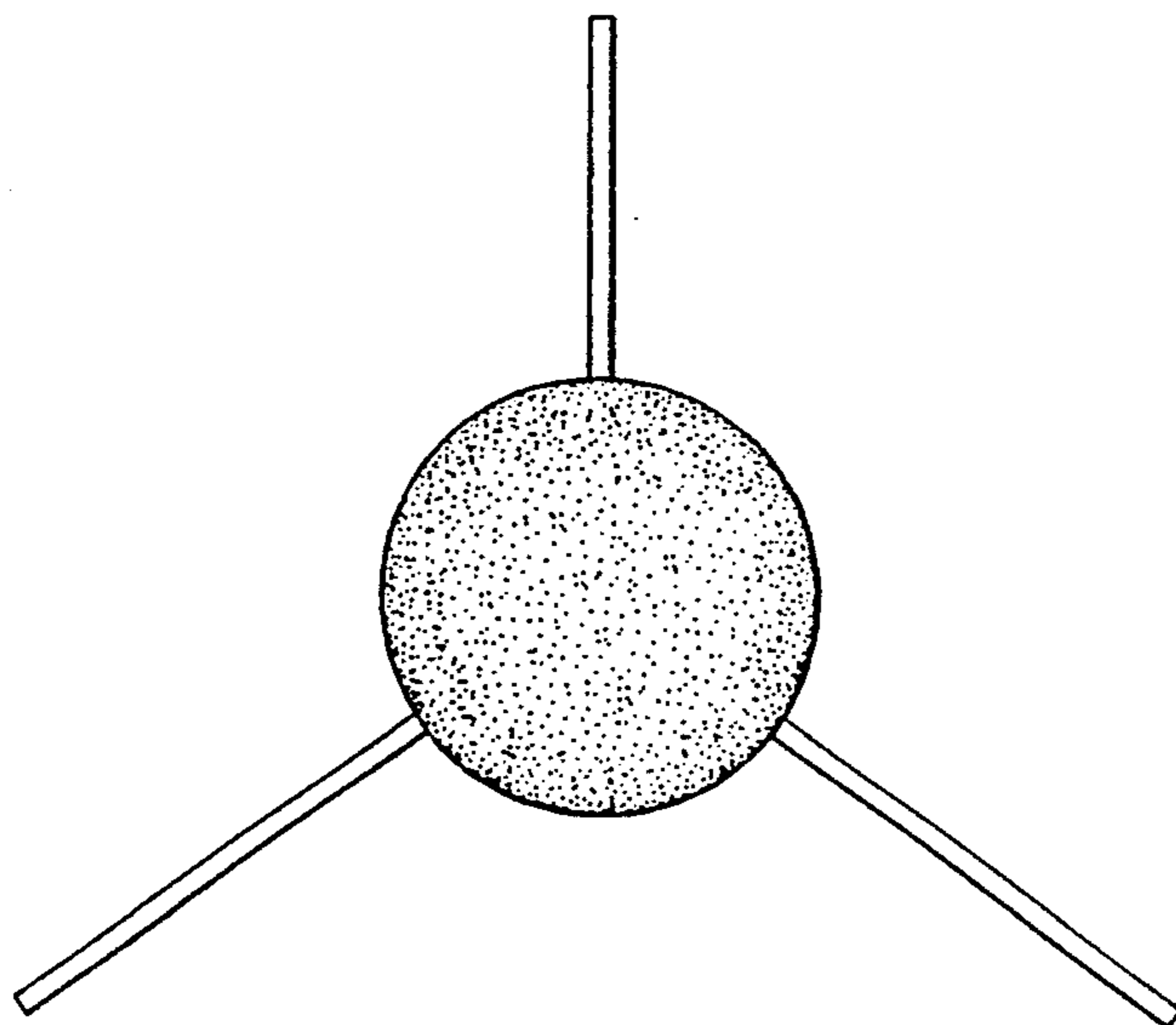


FIG. 5

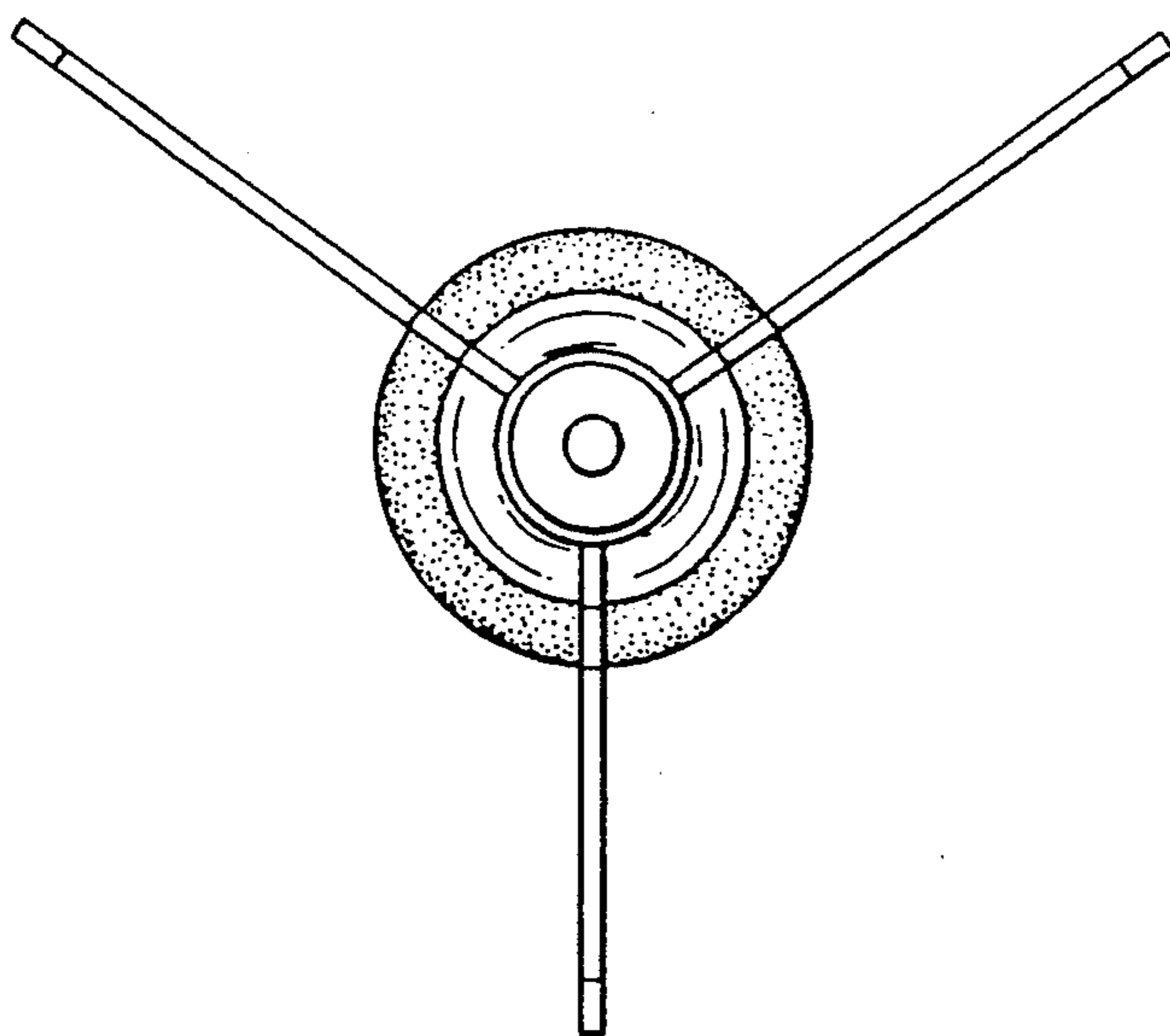


FIG. 6