



US00D346842S

United States Patent [19]

[11] Patent Number: Des. 346,842

O'Neil

[45] Date of Patent: ** May 10, 1994

[54] PUTTING TRAINING AID

Primary Examiner—B. J. Bullock
Attorney, Agent, or Firm—Chernoff, Vilhauer, McClung & Stenzel

[76] Inventor: Kenneth D. O'Neil, 3084 S.W. Fairmount Blvd., Portland, Oreg. 97201

[57] CLAIM

[**] Term: 14 Years

The ornamental design for a putting training aid, as shown and described.

[21] Appl. No.: 850,059

DESCRIPTION

[22] Filed: Mar. 11, 1992

FIG. 1 is a perspective view of a putting training aid showing my new design;

[52] U.S. Cl. D21/234

FIG. 2 is an enlarged top plan view thereof;

[58] Field of Search 273/32 C, 34 R, 177 R, 273/192, 186.1, 35 A; D21/234

FIG. 3 is an enlarged right side elevational view thereof, the left side elevational view being a mirror image;

[56] References Cited

U.S. PATENT DOCUMENTS

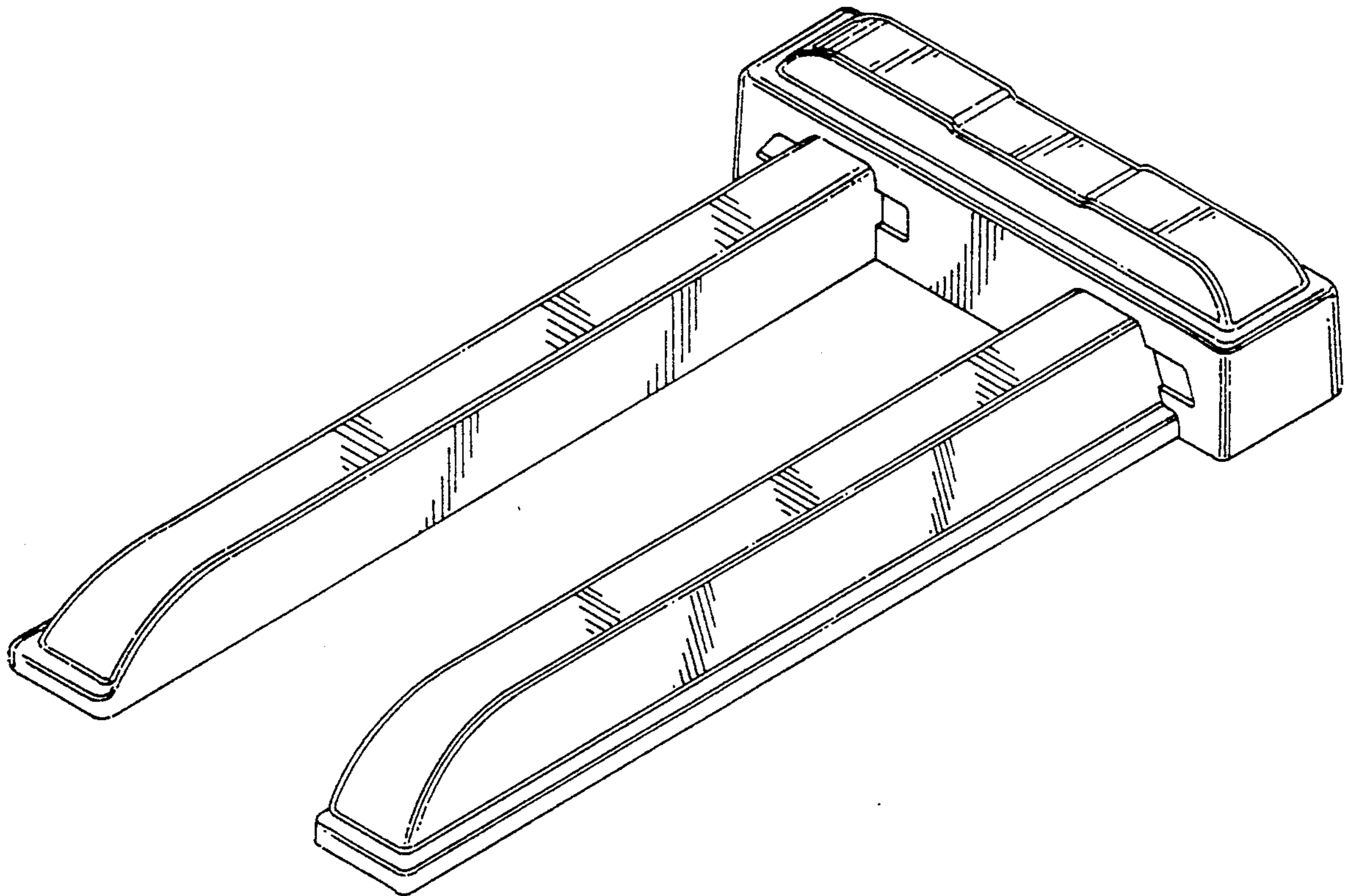
- D. 237,633 11/1975 Weber D21/234
- D. 273,803 5/1984 Johnson D21/234
- 3,934,874 1/1976 Henderson 273/35 A
- 4,413,826 11/1983 Miller 273/186.1
- 4,544,160 10/1985 Miner .

FIG. 4 is an enlarged bottom plan view thereof;

FIG. 5 is an enlarged front elevational view thereof;

FIG. 6 is an enlarged rear elevational view thereof; and,

FIG. 7 is a reduced bottom plan view of a second embodiment of the design of FIG. 1; all other surfaces being identical.



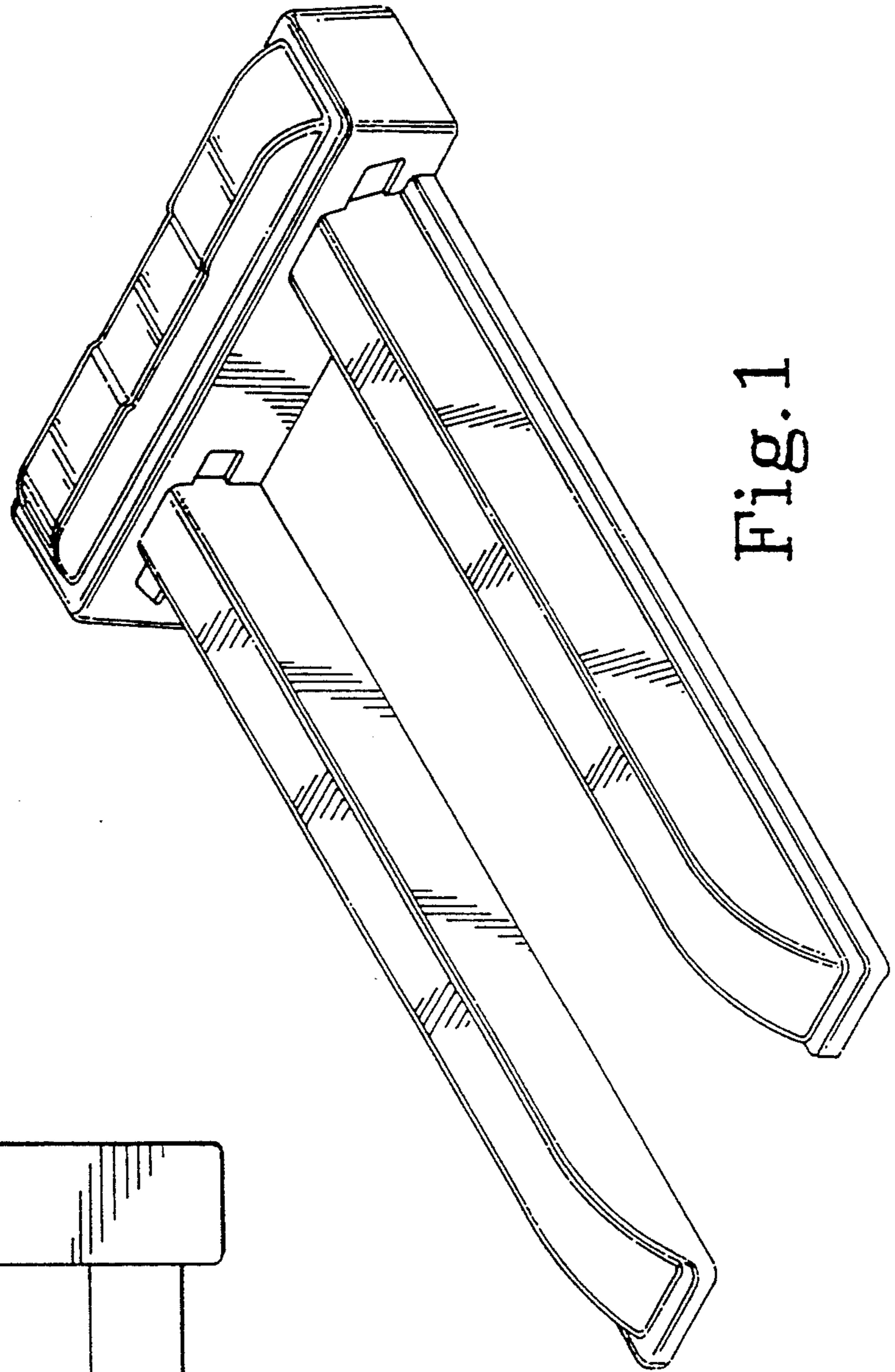


Fig. 1

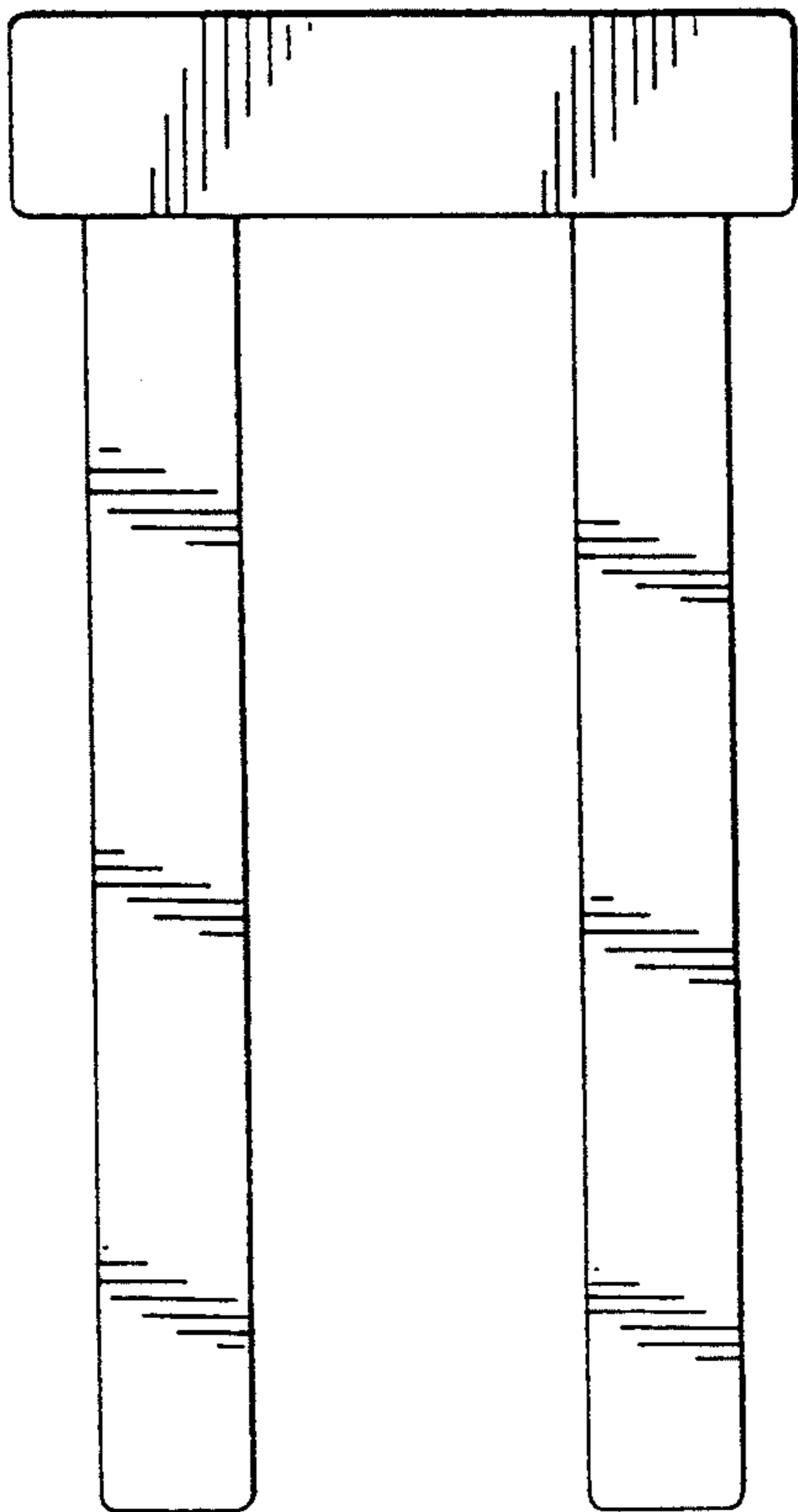


Fig. 7

Fig. 2

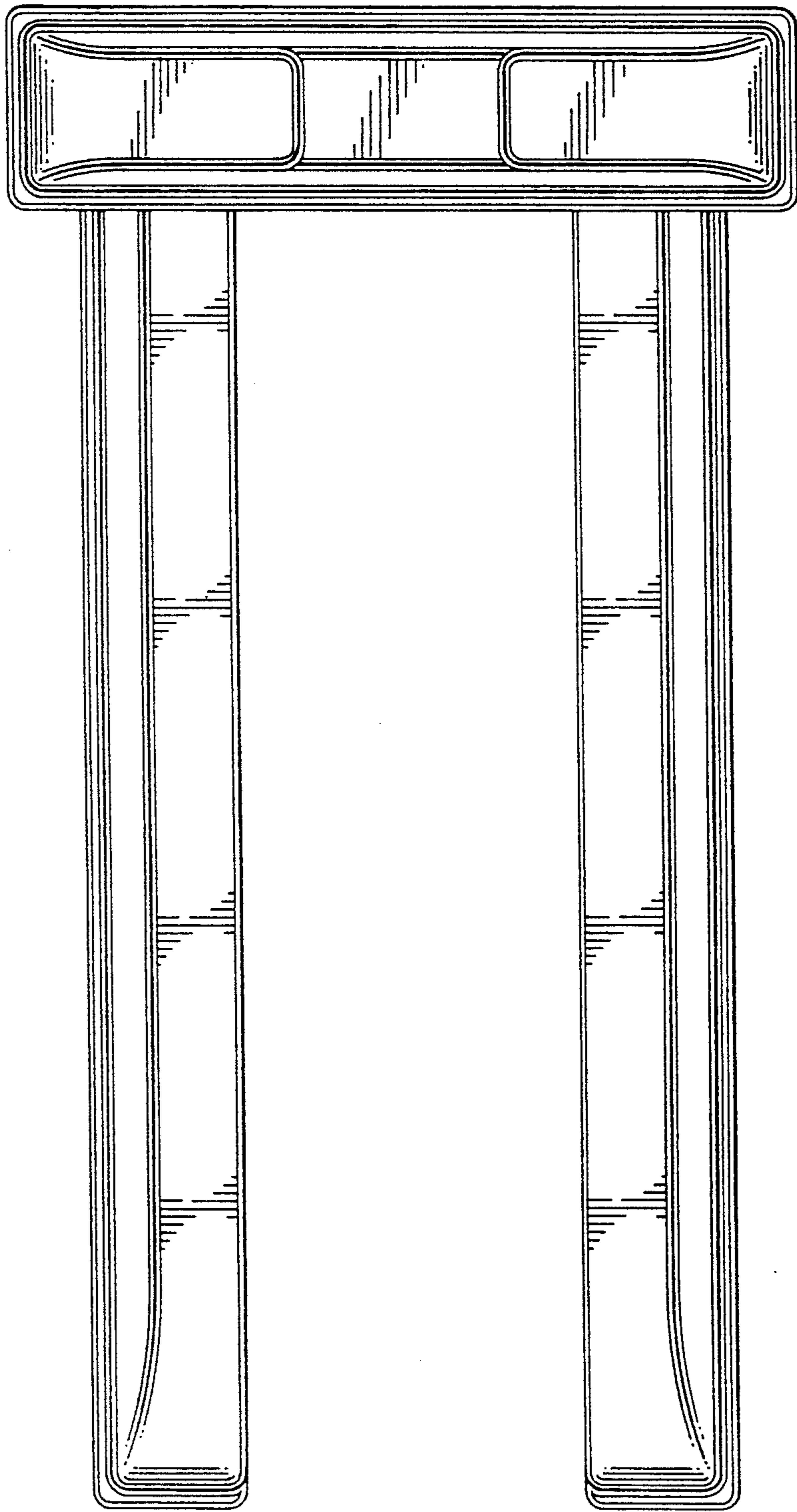


Fig. 3

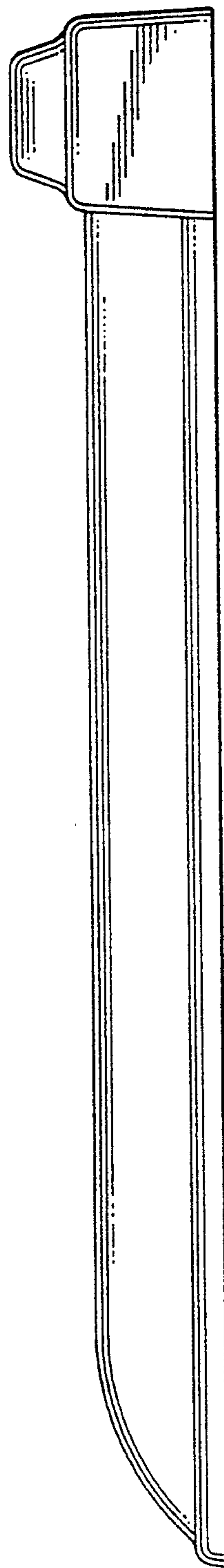


Fig. 4

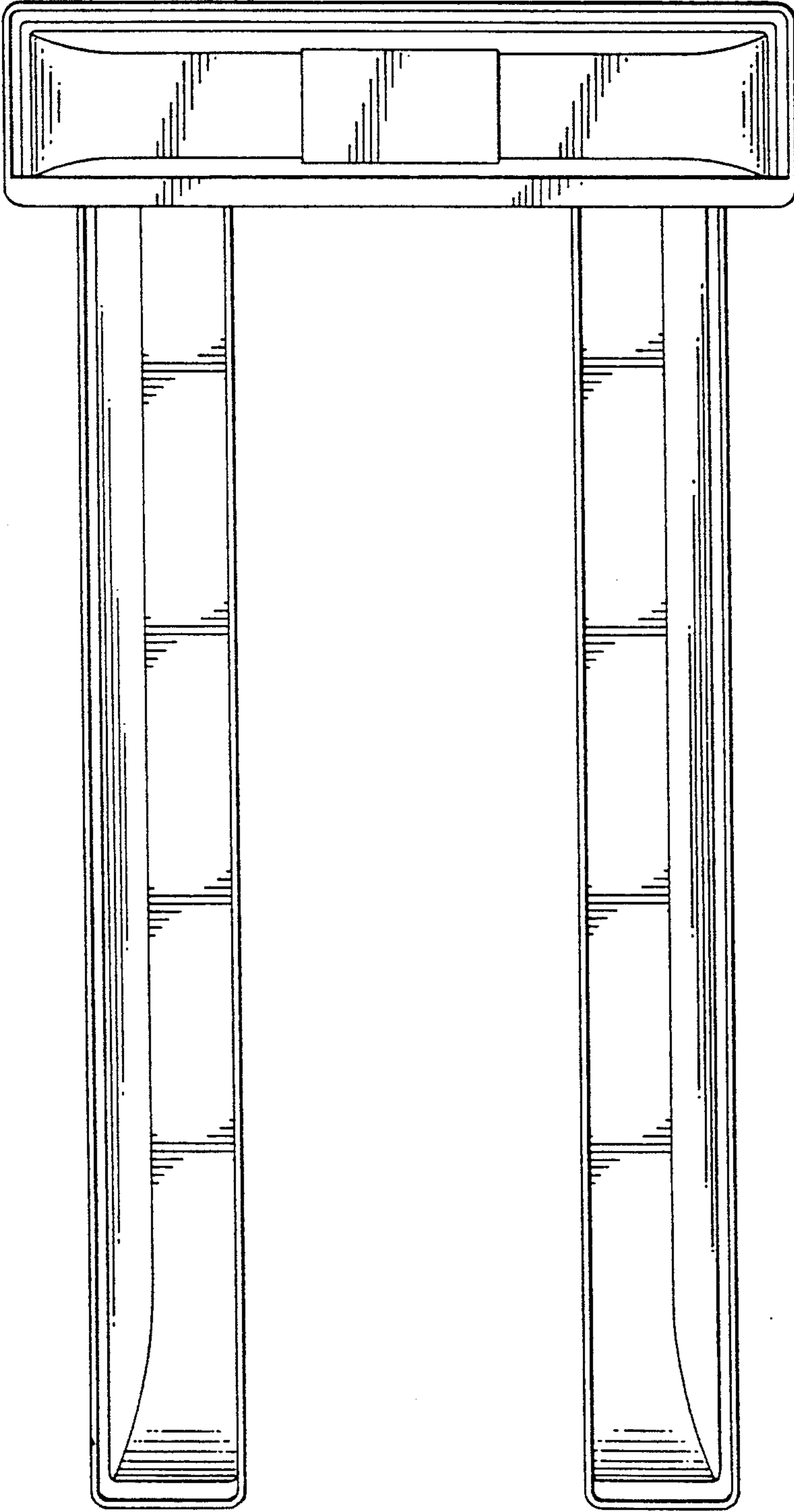


Fig. 6

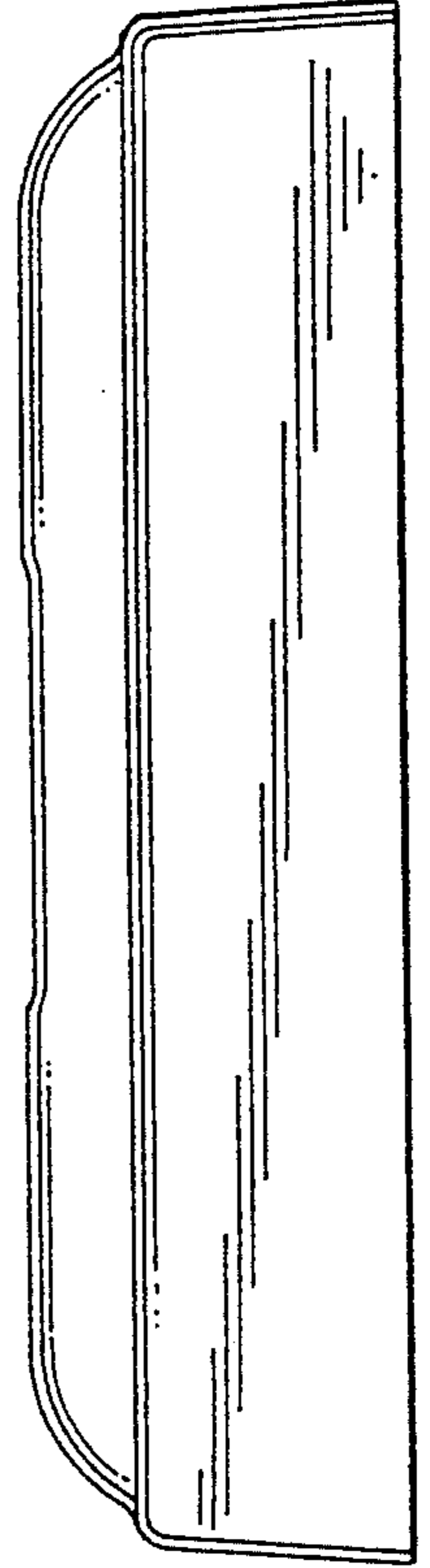


Fig. 5

