



US00D346841S

# United States Patent [19]

[11] Patent Number: **Des. 346,841**

Losi, II

[45] Date of Patent: **\*\* May 10, 1994**

[54] **ROLLER SKATE CHASSIS**

[75] Inventor: **Raymond Losi, II**, Thousand Oaks, Calif.

[73] Assignee: **Variflex, Inc.**, Moorpark, Calif.

[\*\*] Term: **14 Years**

[21] Appl. No.: **835,672**

[22] Filed: **Feb. 14, 1992**

[52] U.S. Cl. .... **D21/226**

[58] Field of Search ..... **D2/275, 904; 280/11.19, 280/11.22, 11.26, 11.27, 11.28, 11.32; 36/115; D21/225, 226**

4,058,323 11/1977 Ware, Jr. .... 280/11.28  
 4,152,001 5/1979 Christianson .  
 4,168,842 9/1979 Kimmell et al. .  
 4,180,278 12/1979 Gottlieb .  
 4,184,693 1/1980 Whitmarsh .  
 4,202,558 5/1980 Olschewski et al. .  
 4,262,918 4/1981 Sandino ..... 280/11.28  
 4,328,627 5/1982 Sanders ..... 280/11.28  
 4,398,735 8/1983 Evans et al. .  
 5,143,388 9/1992 Chen ..... 280/11.28  
 5,180,176 1/1993 Chen ..... 280/11.28

### FOREIGN PATENT DOCUMENTS

1007224 4/1957 Fed. Rep. of Germany .

*Primary Examiner*—Bernard Ansher  
*Assistant Examiner*—R. Barkai  
*Attorney, Agent, or Firm*—Kelly, Bauersfeld & Lowry

### [56] References Cited

#### U.S. PATENT DOCUMENTS

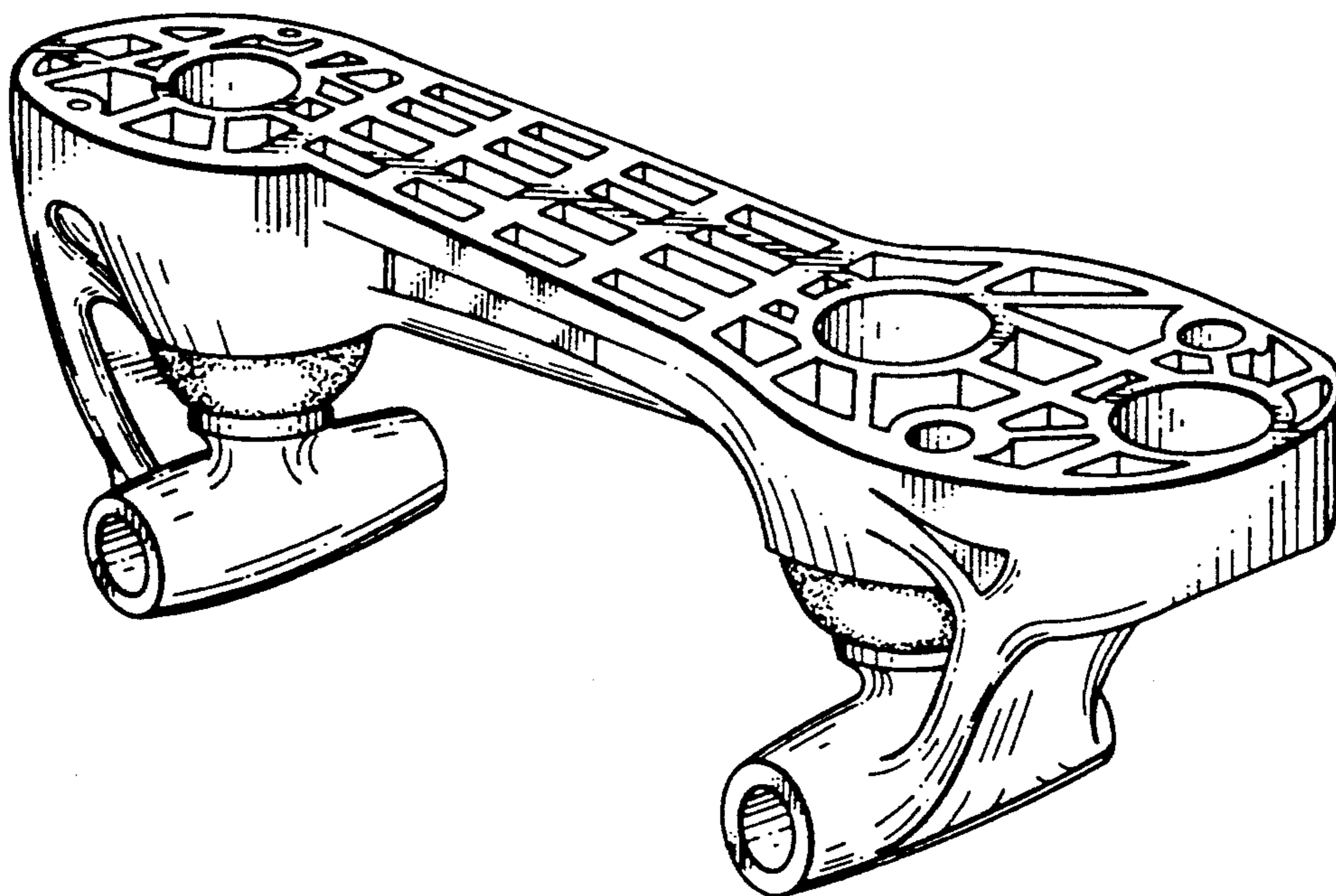
D. 234,262 2/1975 Willhoft .  
 304,949 9/1884 Mitchell .  
 321,227 6/1885 Lancaster .  
 324,309 8/1885 Doty .  
 326,540 9/1885 Baker .  
 457,129 8/1891 Masterson .  
 645,270 3/1900 Richardson .  
 2,676,812 4/1954 Owsen et al. .  
 3,355,184 11/1967 Green .  
 3,377,079 4/1968 Barczak .  
 3,442,523 5/1969 Butler .  
 3,649,038 3/1972 Huckenbeck .  
 3,774,924 11/1973 Machatsch .  
 3,953,041 4/1976 Buss .

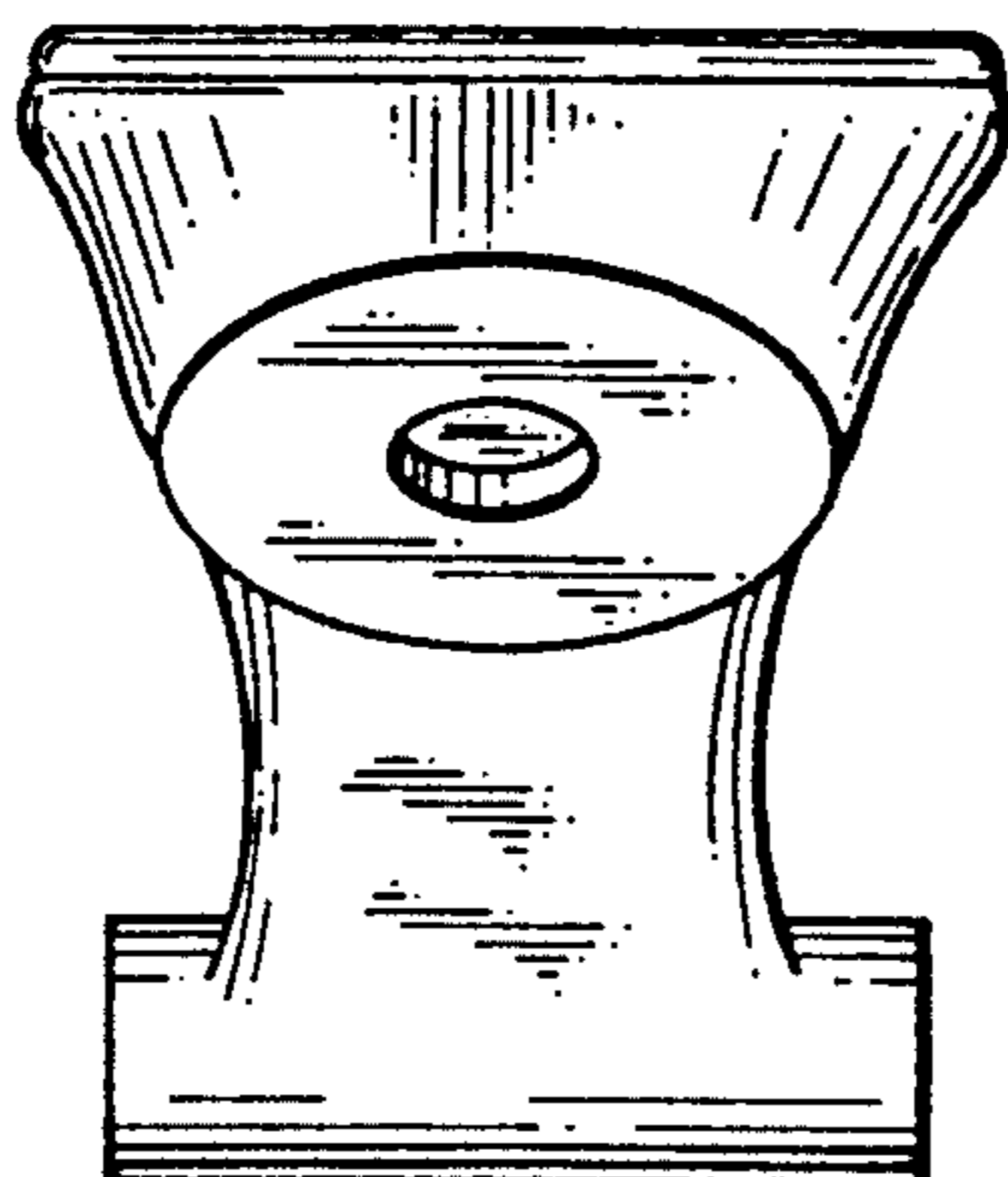
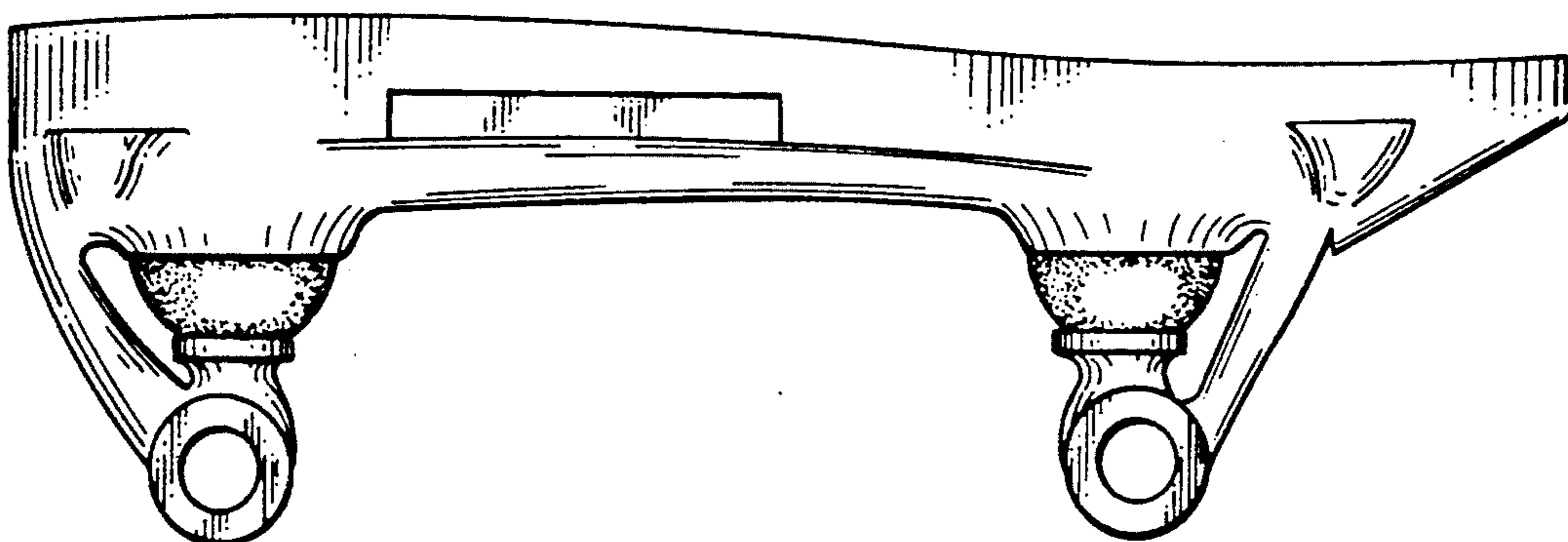
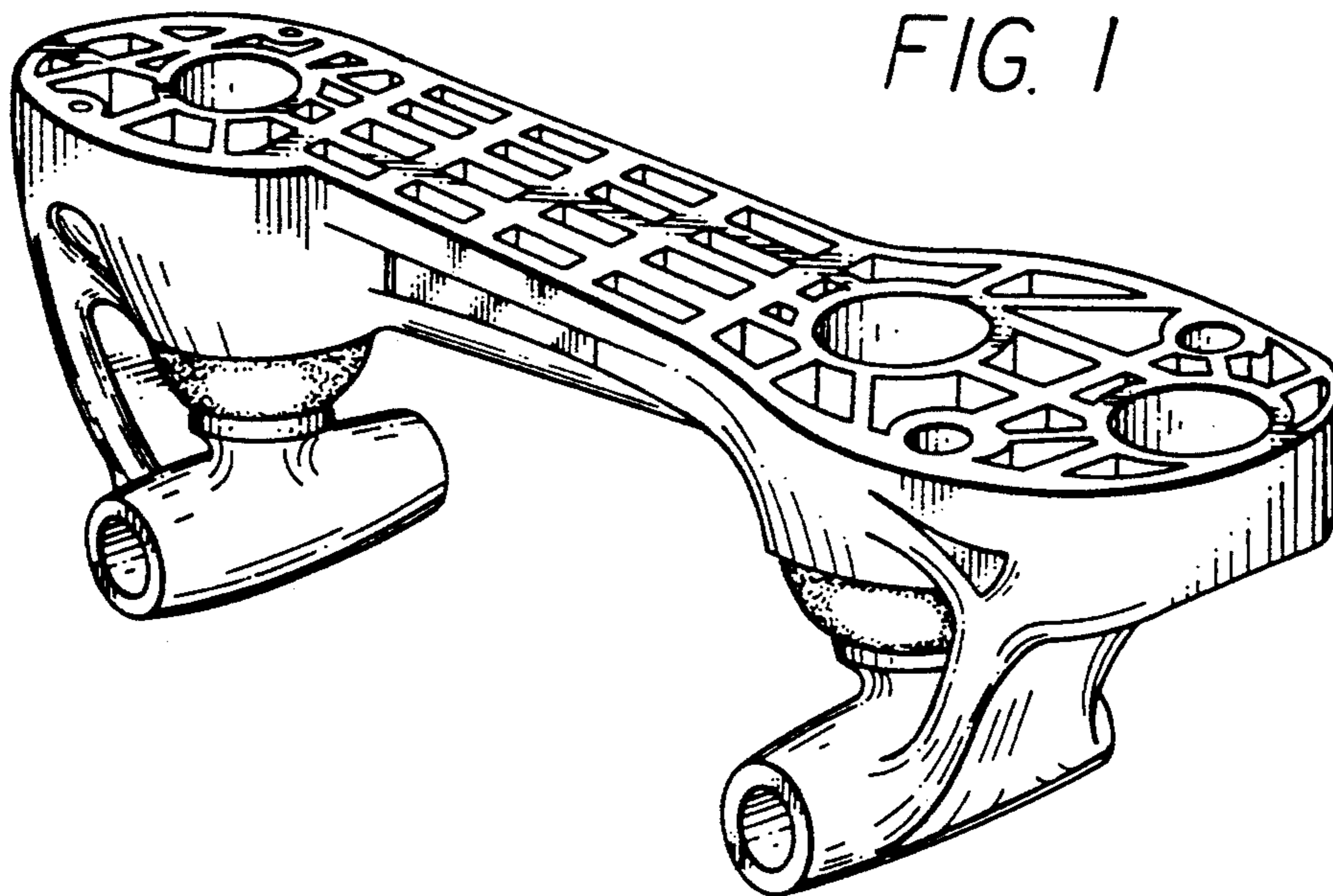
### [57] CLAIM

The ornamental design for a roller skate chassis, as shown and described.

### DESCRIPTION

FIG. 1 is a front, top and left side perspective view of a roller skate chassis embodying my new design;  
 FIG. 2 is a left side elevational view thereof, the right side elevational view being a mirror image;  
 FIG. 3 is a front elevational view thereof;  
 FIG. 4 is a rear elevational view thereof;  
 FIG. 5 is a top plan view thereof; and,  
 FIG. 6 is a bottom plan view thereof.





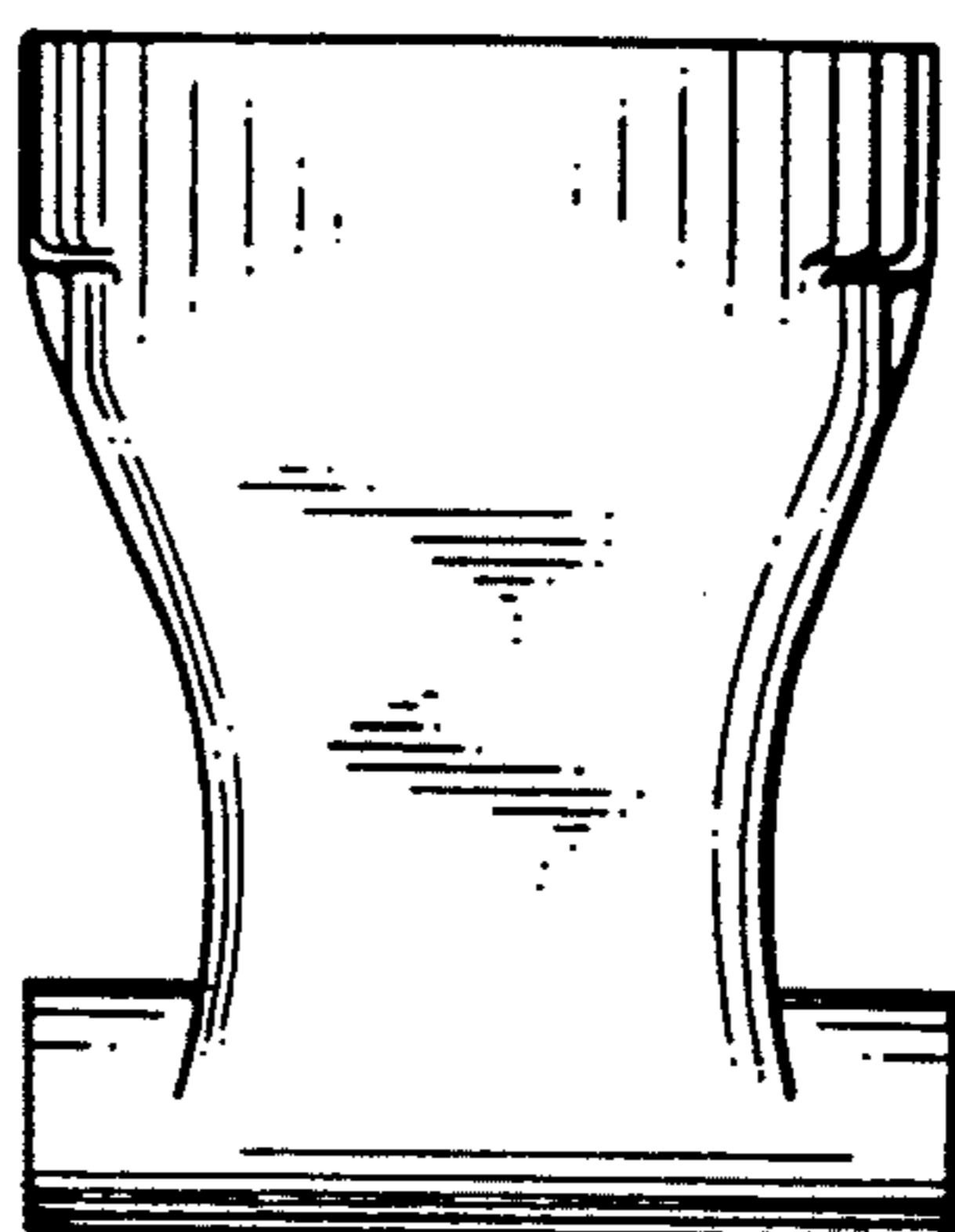


FIG. 4

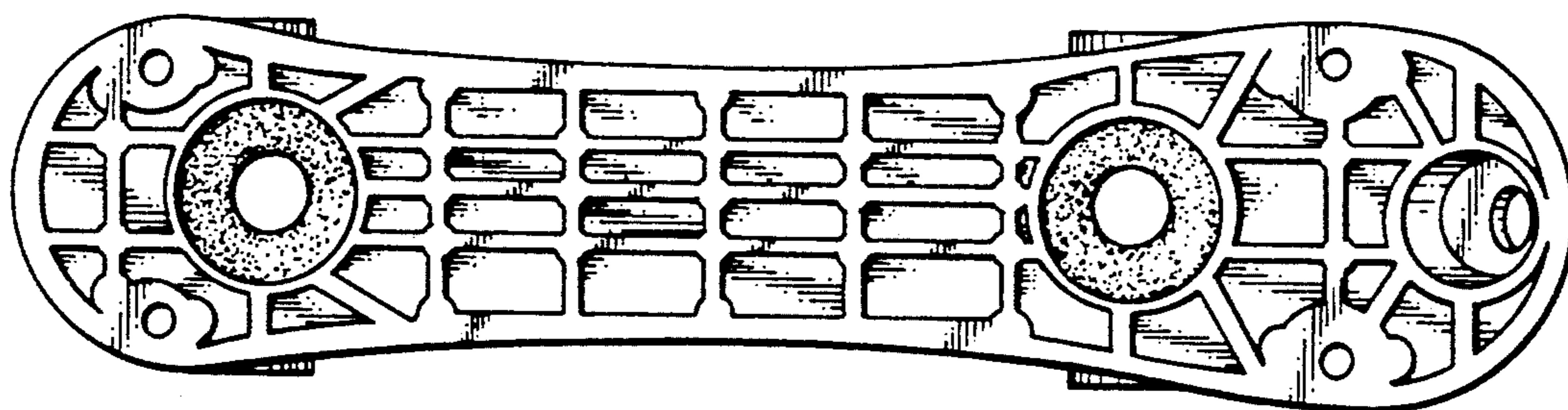


FIG. 5

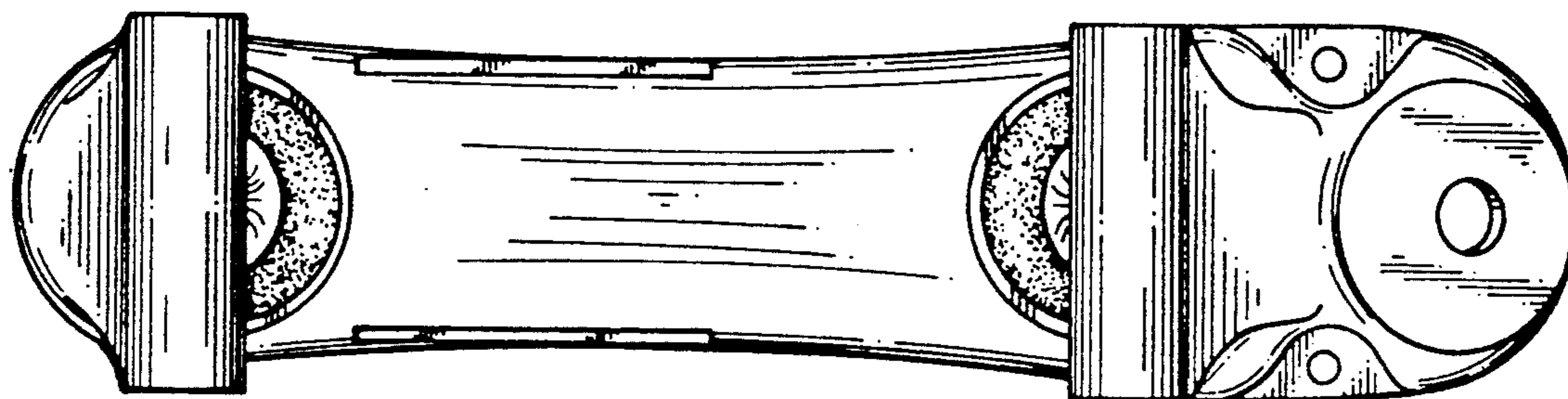


FIG. 6