



US00D346834S

# United States Patent [19]

[11] Patent Number: **Des. 346,834**

Consiglio

[45] Date of Patent: **\*\* May 10, 1994**

[54] **TOY MOTORCYCLE**

[76] Inventor: **James Consiglio**, 70414 Canterbury Dr., Richmond, Mich. 48062

[\*\*] Term: **14 Years**

[21] Appl. No.: **3,029**

[22] Filed: **Dec. 28, 1992**

[52] U.S. Cl. .... **D21/80**

[58] Field of Search ..... 446/440, 451; 280/87.01, 87.021, 87.041, 87.043, 827, 282, 62, 270, 293, 274, 281.1, 288.2, 288.3, 263; 180/219; D21/71, 74, 76, 78, 80-81, 134, 157; D12/87, 110

2,568,374 9/1951 Thomas ..... 446/440  
 3,039,791 6/1962 Horowitz et al. .  
 3,439,926 4/1969 Bayard .  
 3,874,700 4/1975 Lohr et al. .... 280/279  
 3,875,696 4/1975 Howland ..... 446/404  
 4,325,562 4/1982 Yamada et al. .... 280/62  
 4,531,751 7/1985 Todokoro ..... D21/81

### OTHER PUBLICATIONS

"Popular Science", Aug., 1978.  
 Colson "Vehicles for Children \*1946", p. 1.

*Primary Examiner*—Bernard Ansher  
*Assistant Examiner*—R. Barkai  
*Attorney, Agent, or Firm*—Gifford, Groh, Sprinkle, Patmore and Anderson

[56] **References Cited**  
**U.S. PATENT DOCUMENTS**

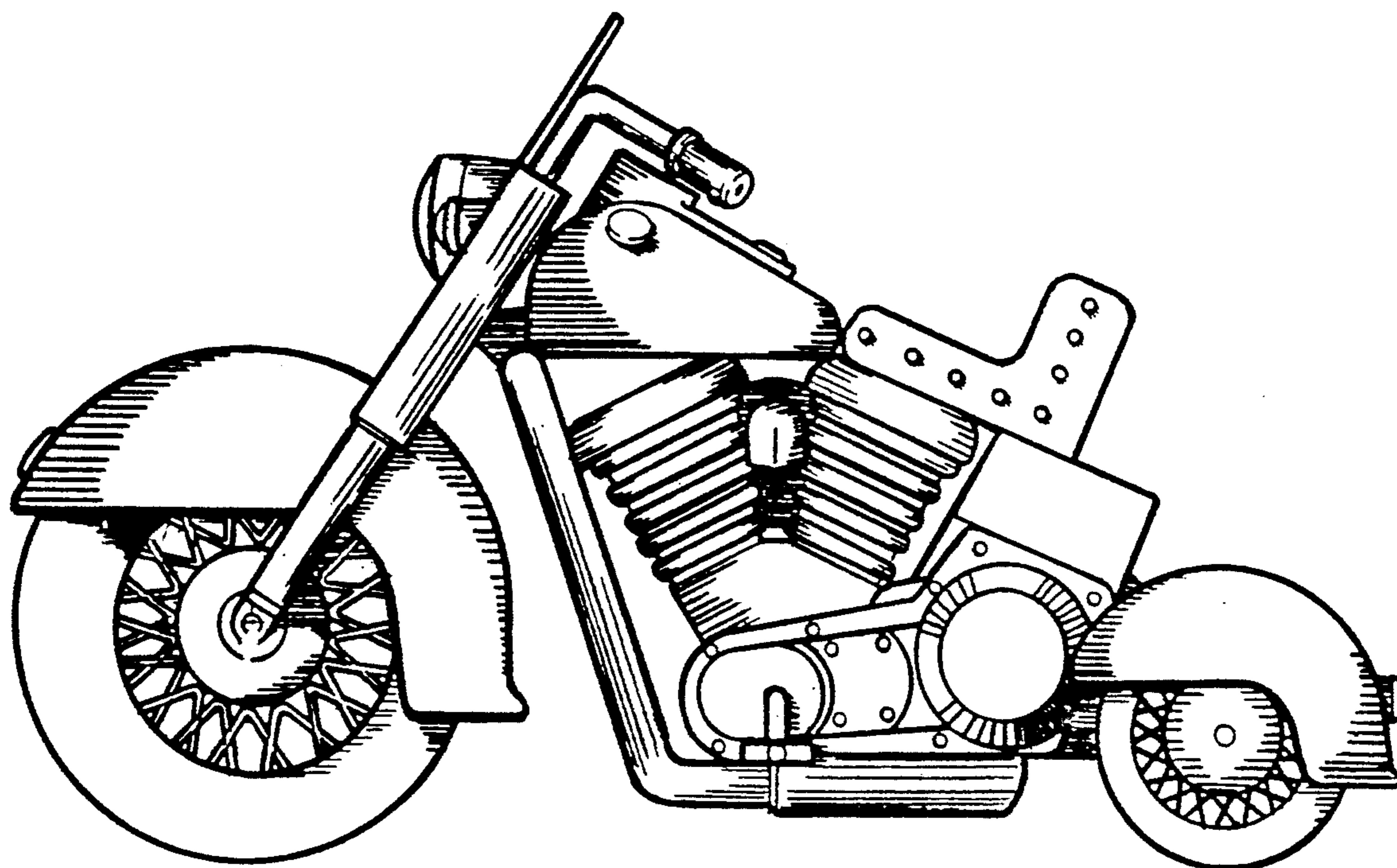
D. 145,135 7/1946 Hecht .  
 D. 199,130 9/1964 Schreckengost ..... D12/113  
 D. 248,746 8/1978 Gonzalez ..... D12/112  
 D. 250,671 12/1978 Ogawa ..... D21/76  
 D. 271,594 11/1983 Mercurio et al. .... D21/80  
 D. 277,491 2/1985 Lovejoy ..... D21/76  
 D. 277,771 2/1985 Takeuchi ..... D21/81  
 D. 305,748 1/1990 Kaneko ..... D12/110  
 D. 333,806 3/1993 Davidson ..... D12/110  
 2,397,858 4/1946 Hare ..... D12/110

### [57] CLAIM

The ornamental design for a toy motorcycle, as shown.

### DESCRIPTION

FIG. 1 is a side view of a preferred embodiment of my invention;  
 FIG. 2 is a front view thereof;  
 FIG. 3 is a view of the opposite side thereof;  
 FIG. 4 is a view of the back side thereof;  
 FIG. 5 is a top view thereof; and,  
 FIG. 6 is a bottom view thereof.



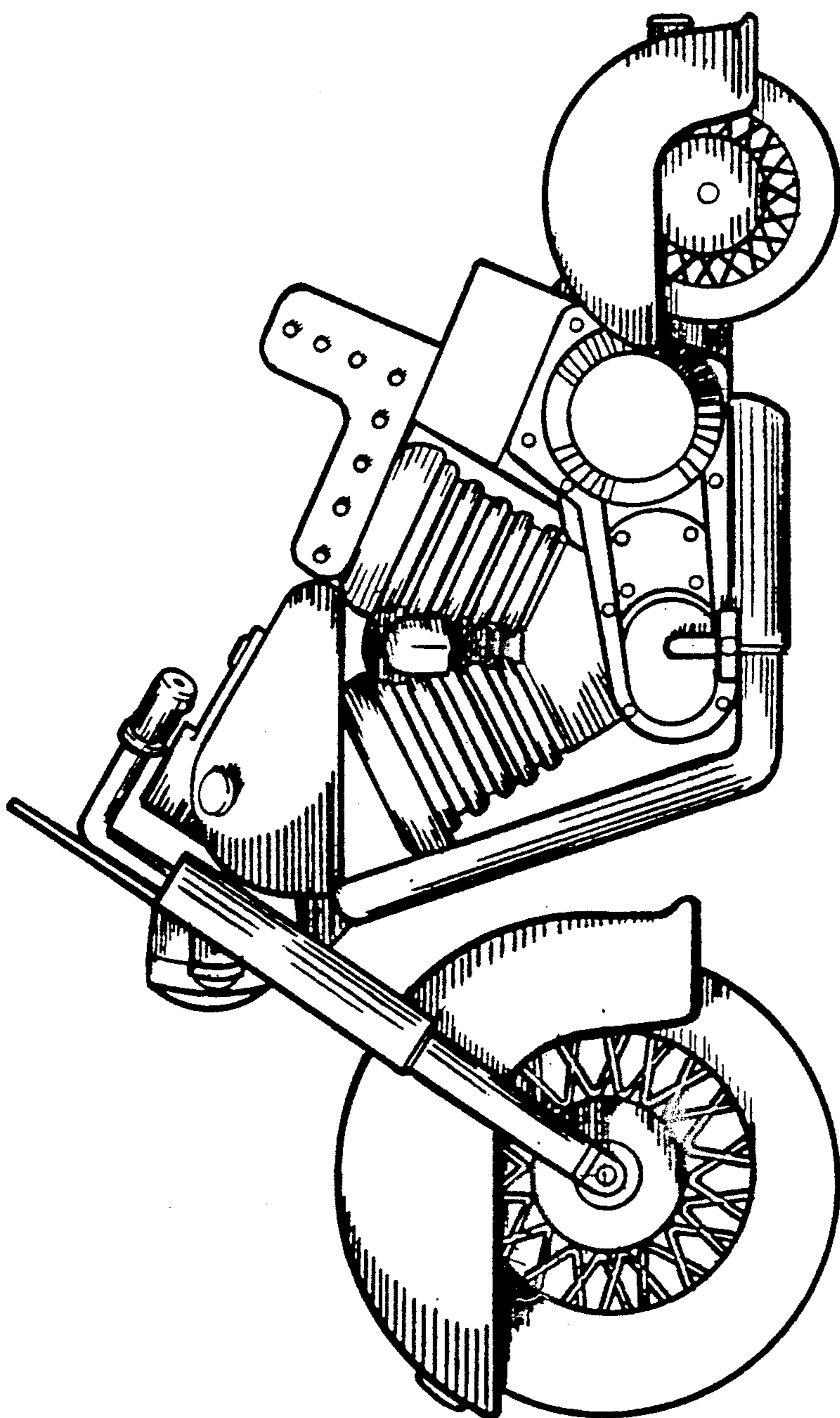


FIG. 1

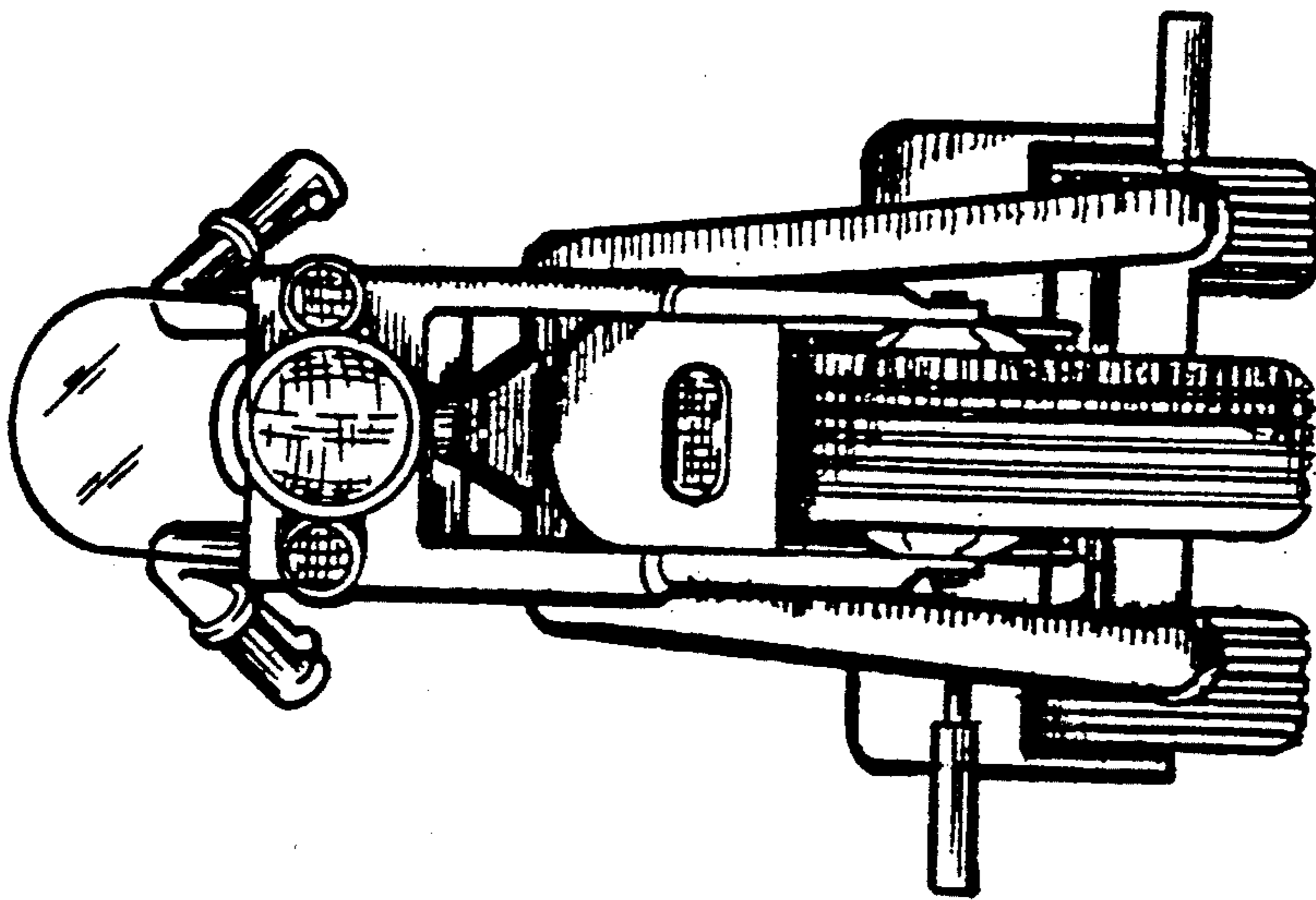


FIG. 2

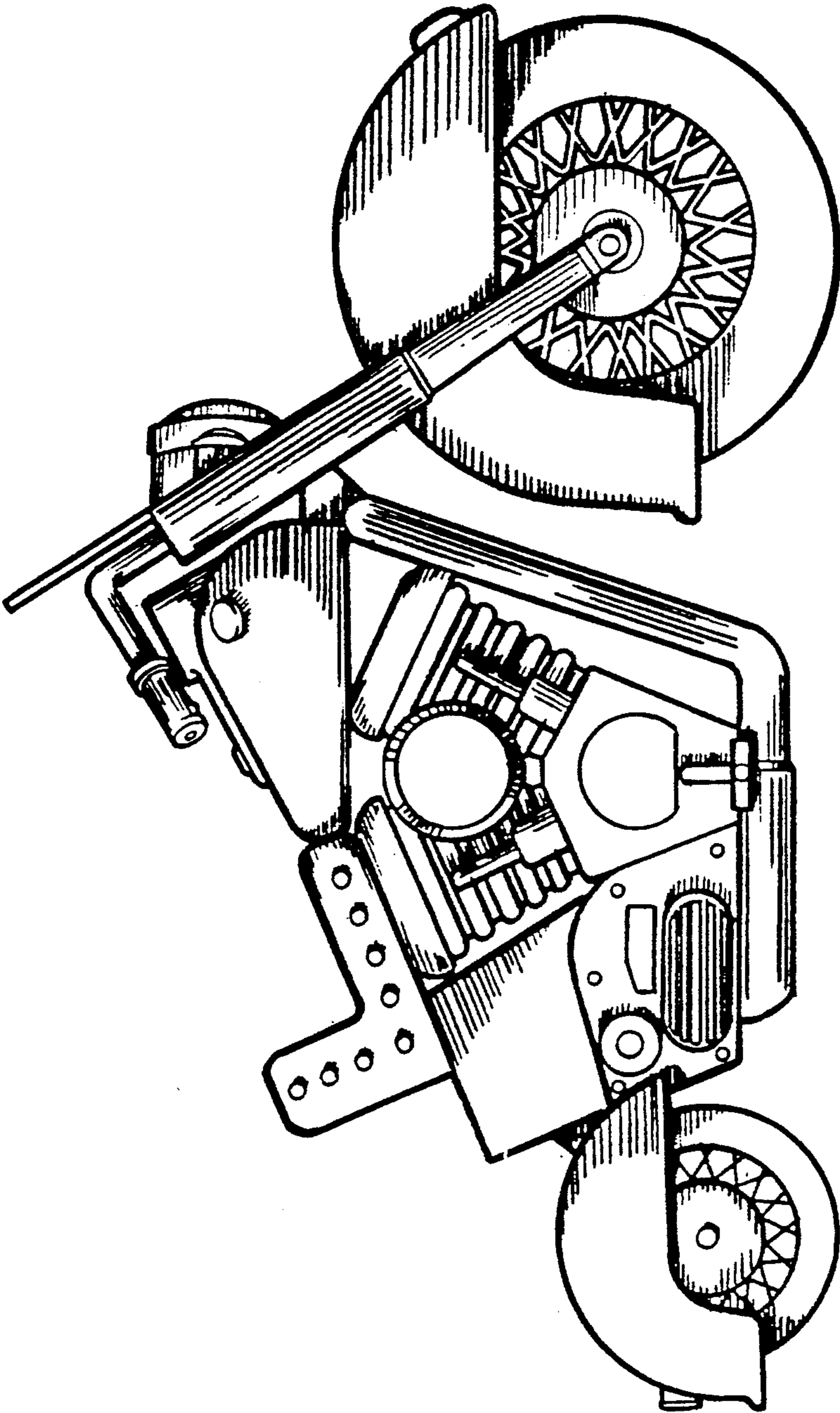


FIG.3

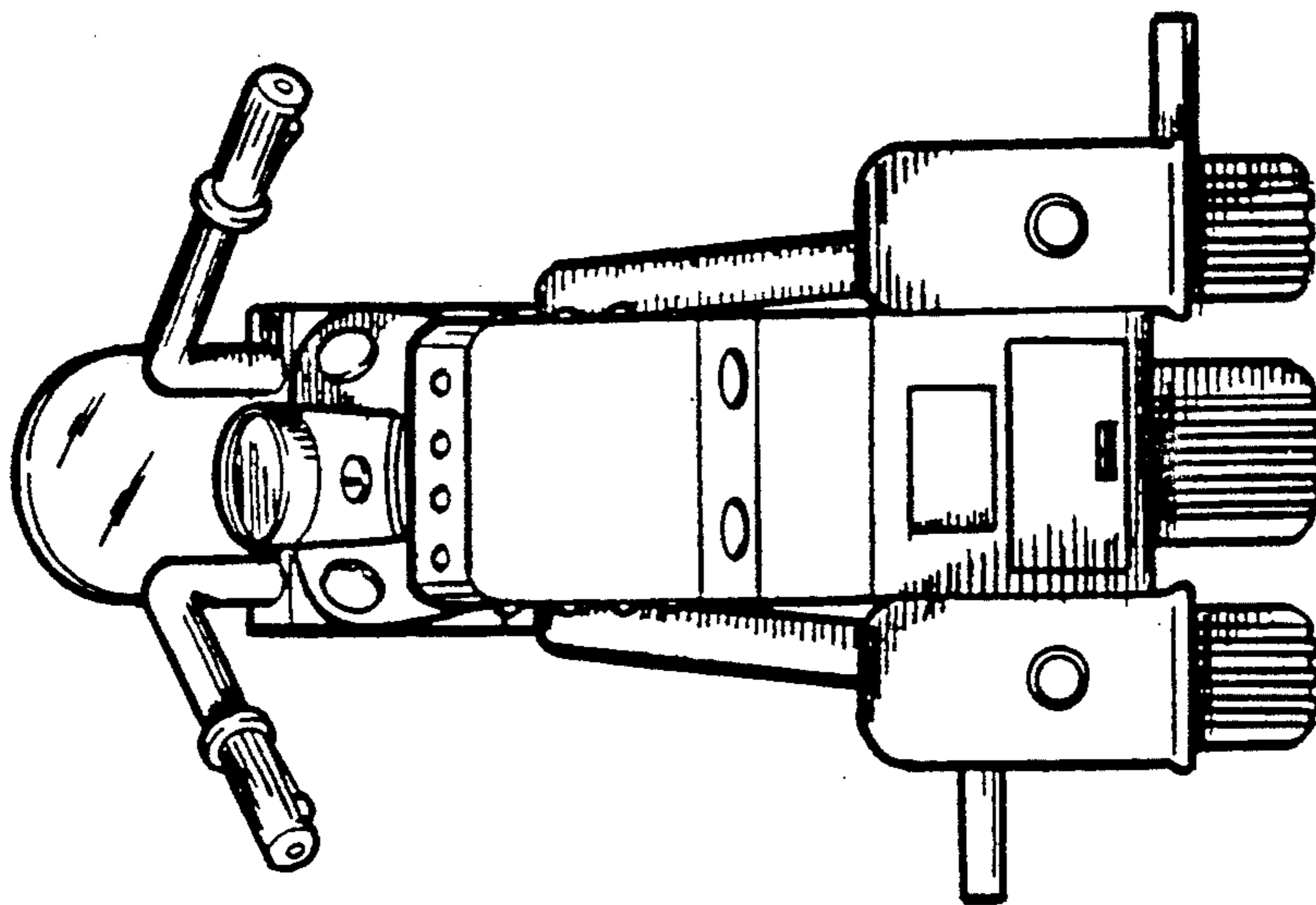


FIG.4

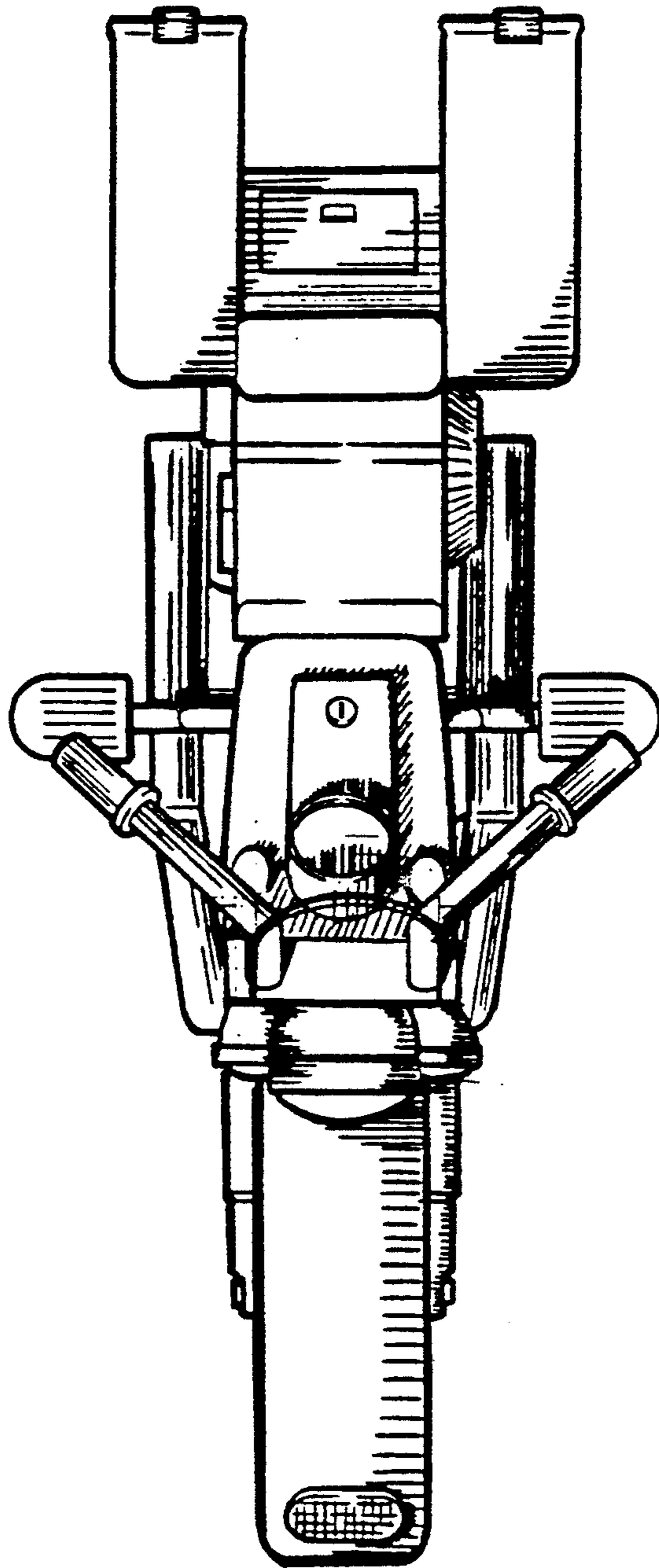


FIG. 5

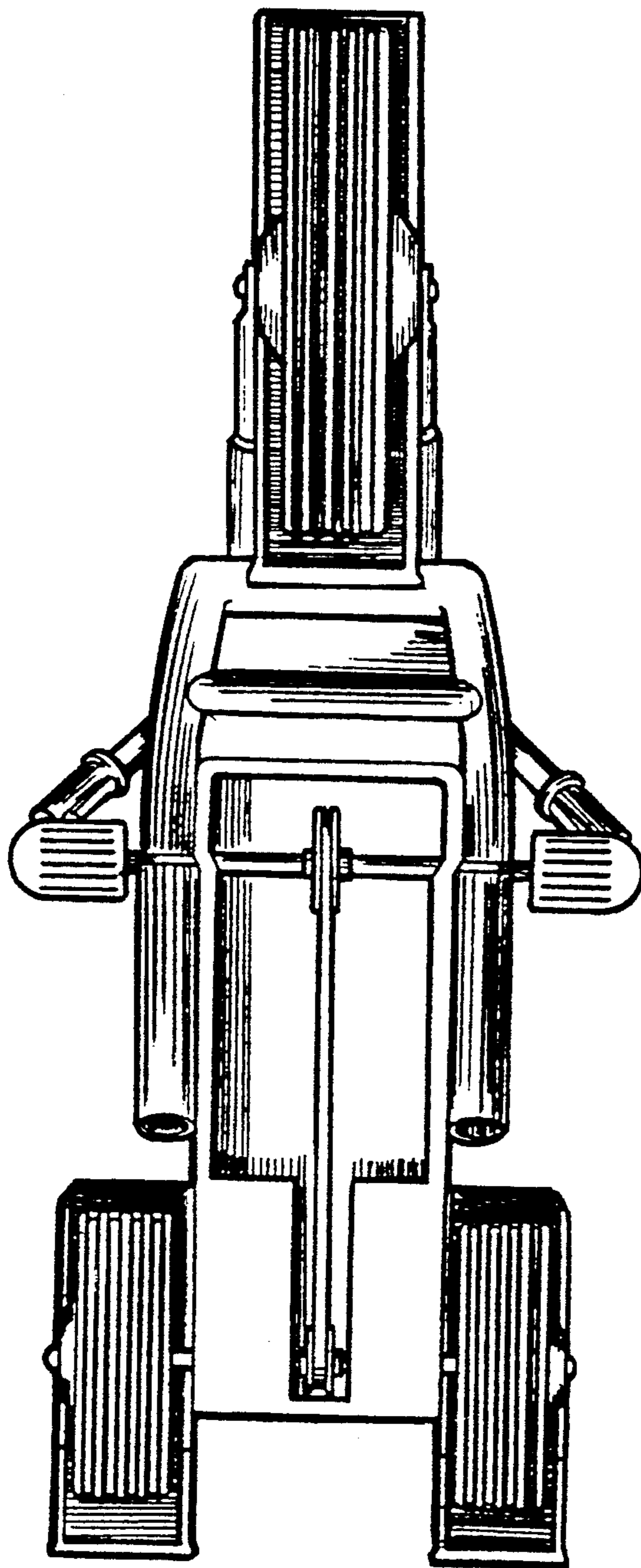


FIG.6