



US00D346825S

# United States Patent [19]

[11] Patent Number: **Des. 346,825**

Ros

[45] Date of Patent: **\*\* May 10, 1994**

## [54] FILING CASE

[75] Inventor: **Johannes F. Ros, Paris, France**

[73] Assignee: **Office Data Europe B.V.,  
Netherlands**

[\*\*] Term: **14 Years**

[21] Appl. No.: **748,337**

[22] Filed: **Aug. 21, 1991**

### Related U.S. Application Data

[63] Continuation-in-part of Ser. No. 685,482, Apr. 15, 1991, and a continuation-in-part of Ser. No. 685,558, Apr. 15, 1991.

### [30] Foreign Application Priority Data

Oct. 15, 1990 [XH] Hague ..... DM/017848

[52] U.S. Cl. .... **D19/75; D3/900;  
D3/281; D19/27; D19/86**

[58] Field of Search ..... **D3/73, 73; 206/425,  
206/444; 402/3, 35, 80 P, 80 R; D19/26, 27, 32,  
65, 75, 86, 90, 91, 99, 100**

### [56] References Cited

#### U.S. PATENT DOCUMENTS

D. 232,231	7/1974	Butler	.....	D3/73
D. 232,597	8/1974	Sias	.....	D3/73 X
D. 257,191	10/1980	Wilcox	.....	D3/73
D. 260,454	9/1981	Pepicelli, Jr. et al.	.....	D3/35
4,518,275	5/1985	Rauch, III et al.	.....	402/80 P
5,069,567	12/1931	Fink et al.	.....	402/3
5,076,722	12/1991	Rohner	.....	402/80 R X

## FOREIGN PATENT DOCUMENTS

8602134.6 of 0000 Fed. Rep. of Germany .  
8816164 of 0000 Fed. Rep. of Germany .  
2609940 of 0000 France .  
DM17848 10/1990 World Int. Prop. O. .

## OTHER PUBLICATIONS

The Modern Storage System, Datox Organisation (publication date unknown).

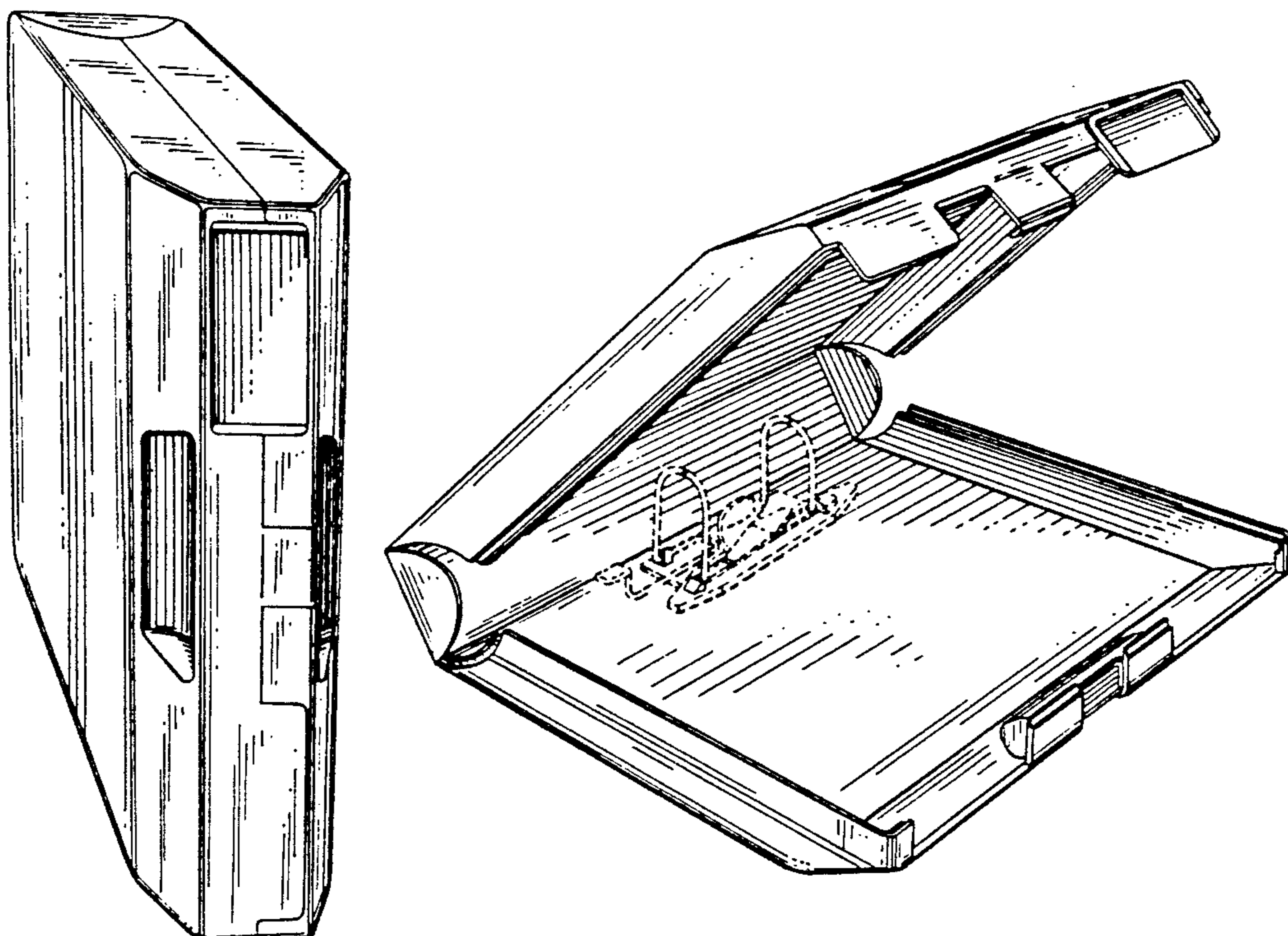
*Primary Examiner*—Nelson C. Holtje  
*Assistant Examiner*—Martie Thompson  
*Attorney, Agent, or Firm*—Ostrolenk, Faber, Gerb & Soffen

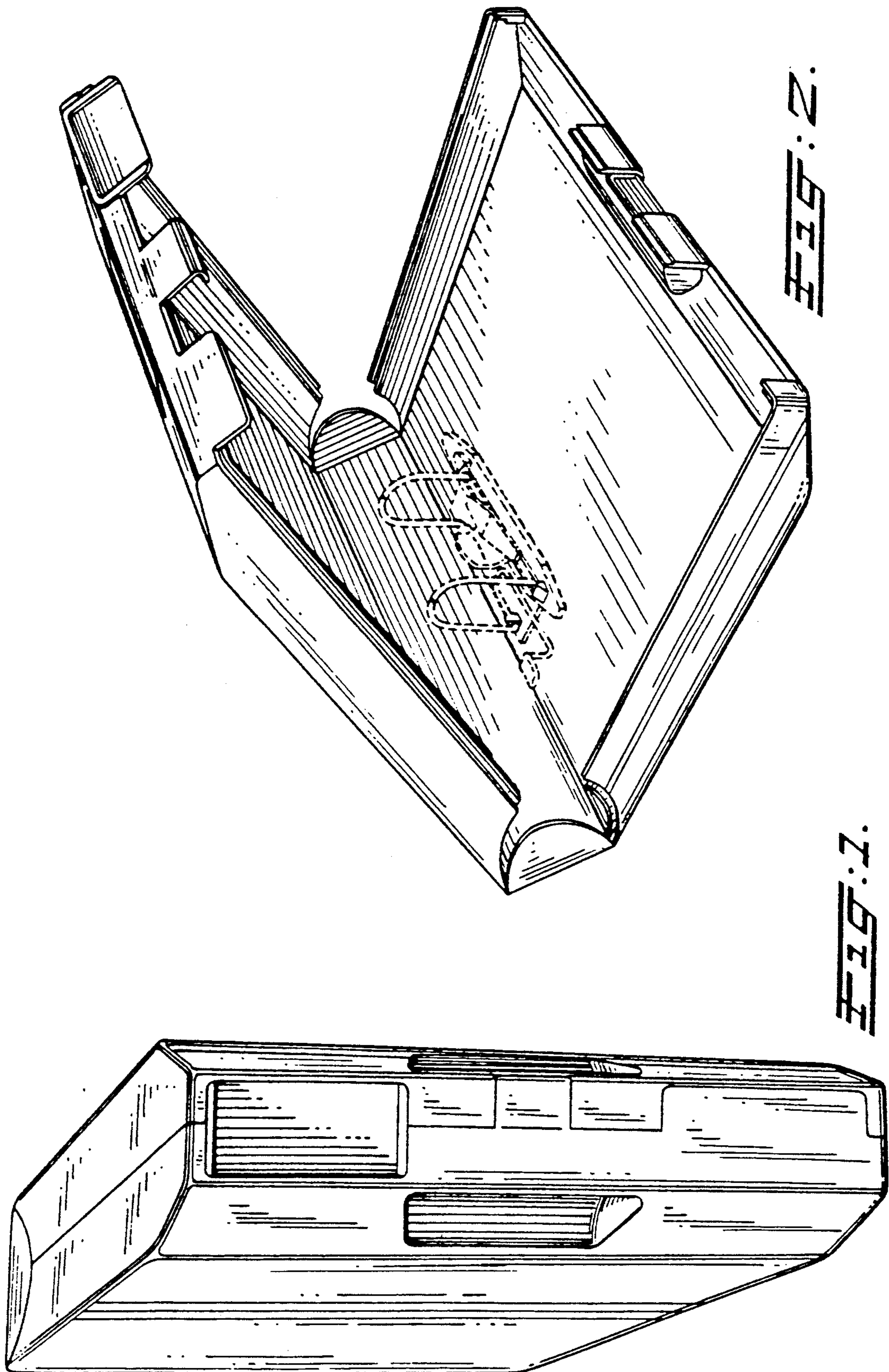
## [57] CLAIM

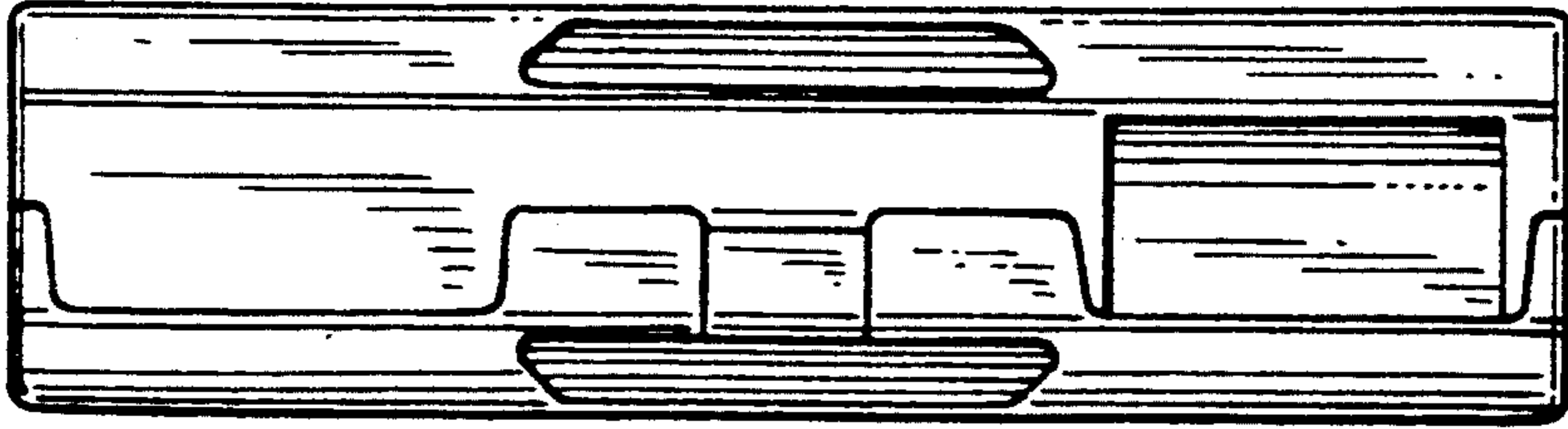
The ornamental design for a filing case, as shown and described.

## DESCRIPTION

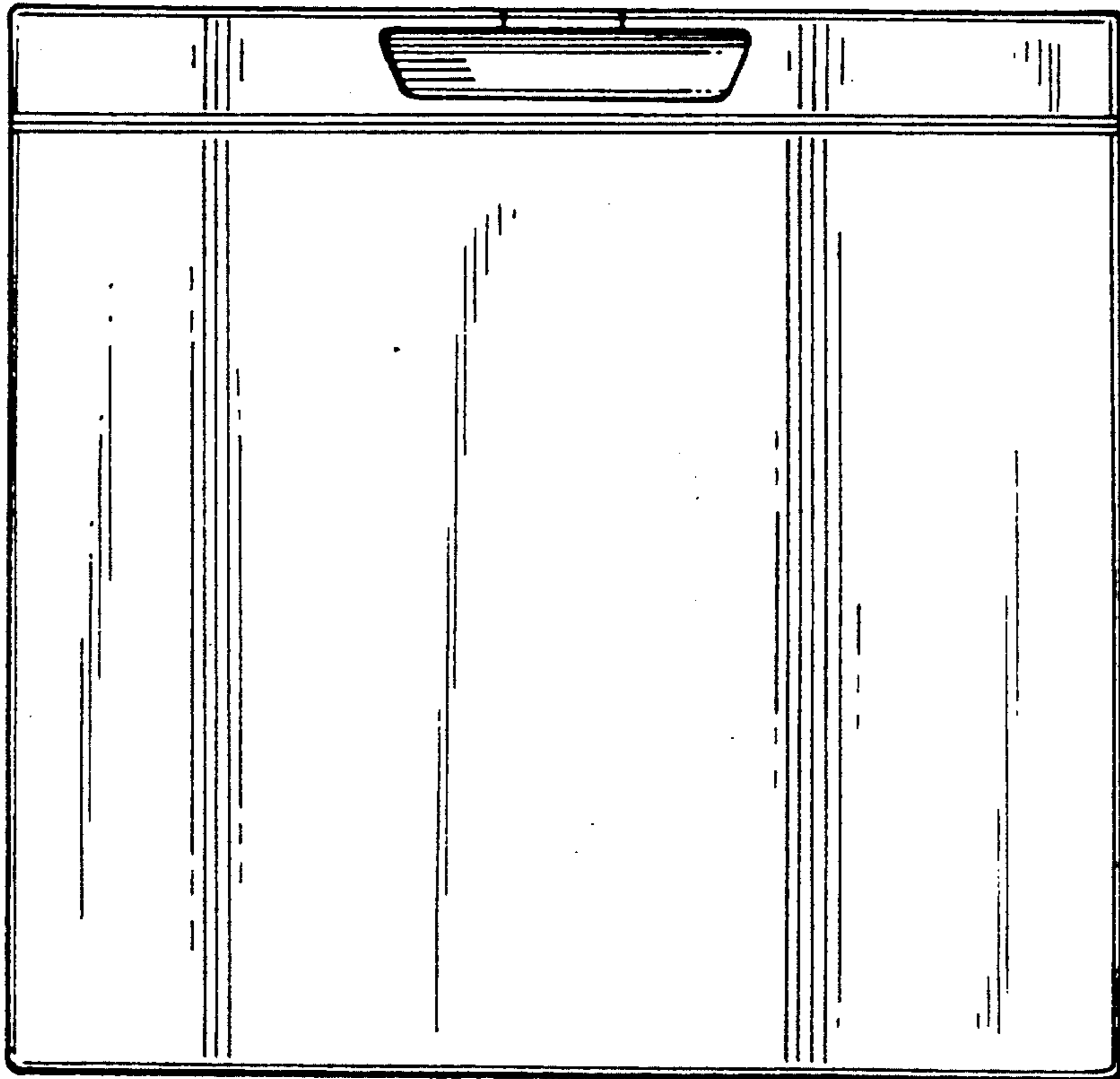
FIG. 1 is a perspective view of a filing case showing my new design;  
FIG. 2 is a perspective view in a partially opened condition;  
FIG. 3 is a side elevational view;  
FIG. 4 is an end elevational view, the opposite end being identical thereto;  
FIG. 5 is a bottom plan view;  
FIG. 6 is a top plan view; and,  
FIG. 7 is a side elevational view of the side opposite that shown in FIG. 3.  
The binder mechanism depicted by means of broken lines in FIG. 2 has been shown for illustrative purposes only and forms no part of the claimed design.



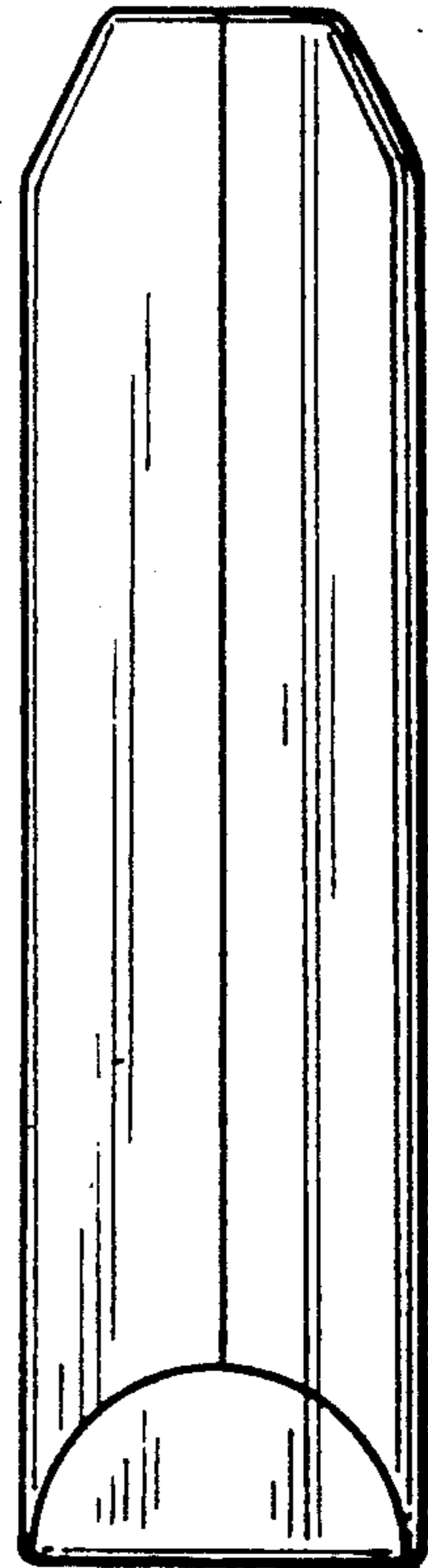




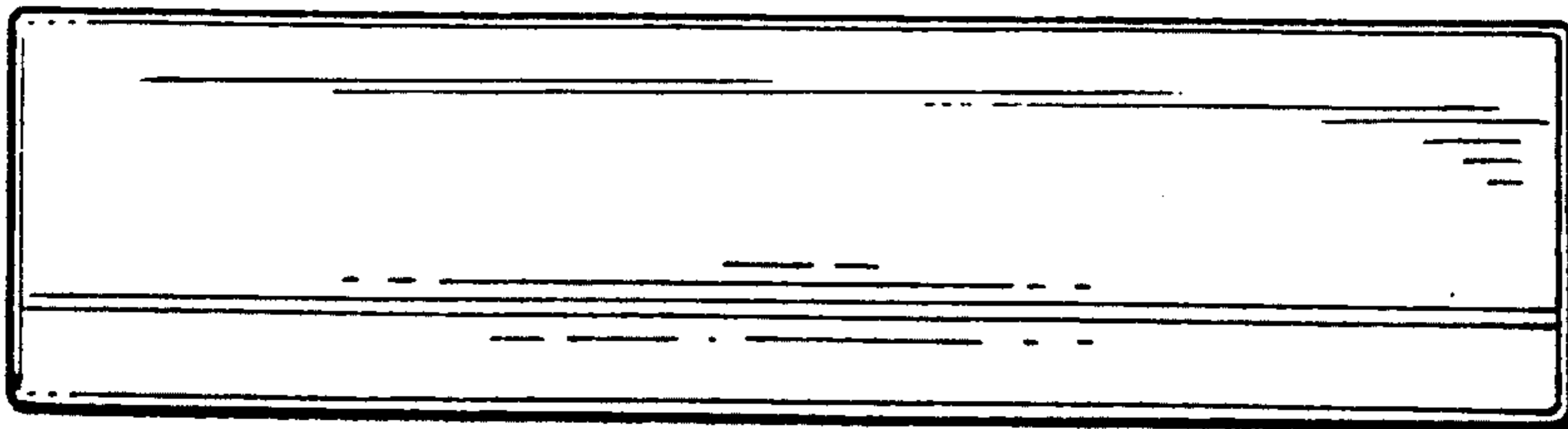
**FIG. 6.**



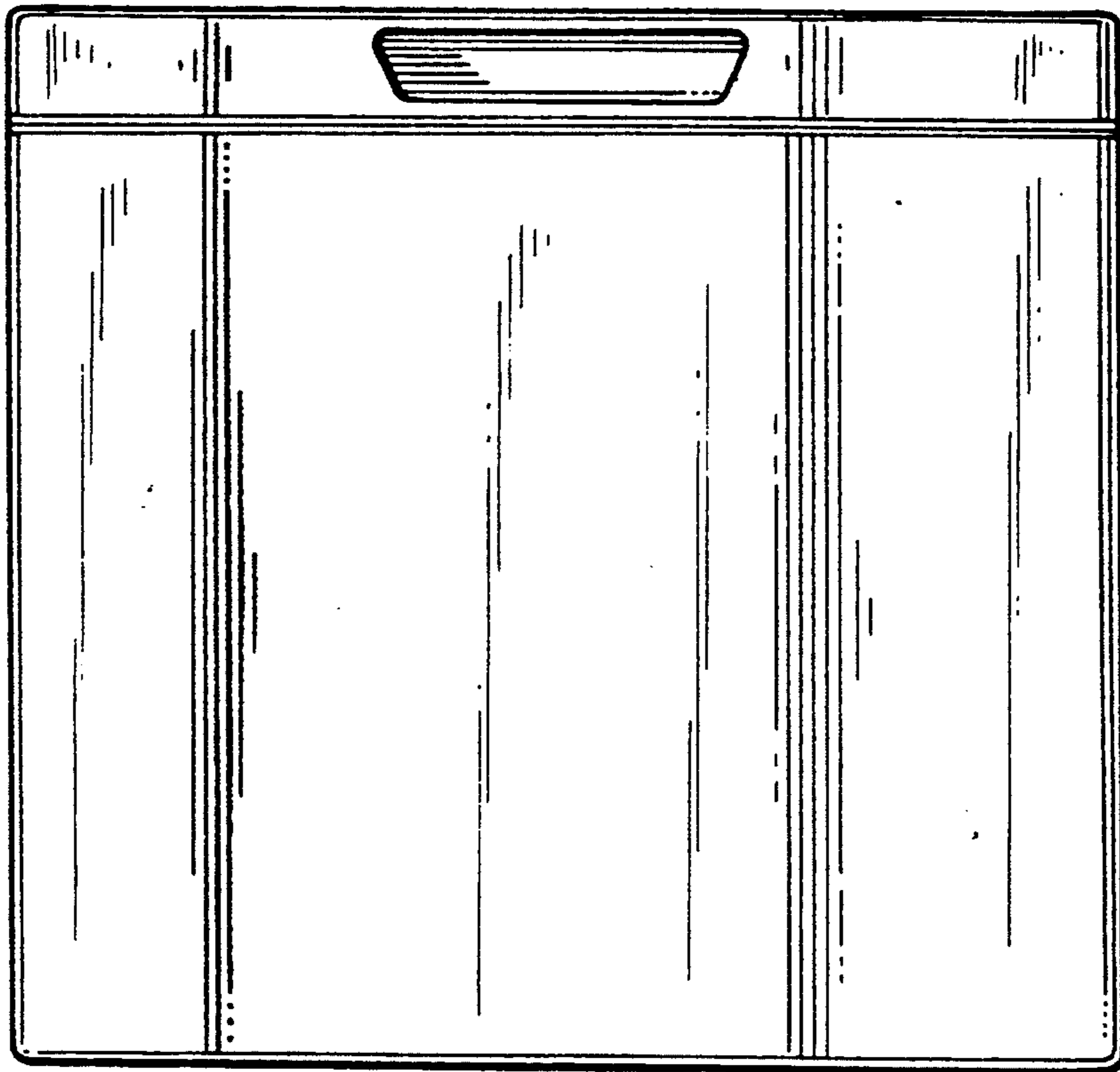
**FIG. 3.**



**FIG. 4.**



**FIG. 5.**



**FIG. 7.**