



US00D346824S

United States Patent [19]

[11] Patent Number: **Des. 346,824**

Mitchell et al.

[45] Date of Patent: **** May 10, 1994**

[54] CHAOTIC MOTION PENDULUM

FOREIGN PATENT DOCUMENTS

[76] Inventors: **David Mitchell**, Box 7042, Yale Station, New Haven, Conn. 06520;
James Hamilton, 189 Upland Rd., Cambridge, Mass. 02140

162851 9/1946 Fed. Rep. of Germany 434/302

Primary Examiner—James M. Gandy
Assistant Examiner—Pamela Burgess
Attorney, Agent, or Firm—Wolf, Greenfield & Sacks

[**] Term: **14 Years**

[57] CLAIM

[21] Appl. No.: **929,778**

The ornamental design for a chaotic motion pendulum, as shown and described.

[22] Filed: **Aug. 12, 1992**

DESCRIPTION

[52] U.S. Cl. **D19/62; 434/302**

[58] Field of Search 434/302, 300, 276, 291;
D19/59, 60, 61, 62, 63, 64

FIG. 1 is a perspective view of the chaotic motion pendulum of the present invention;

FIG. 2 is a side view of the chaotic motion pendulum of the present invention;

FIG. 3 is a plan view of the chaotic motion pendulum of the present invention;

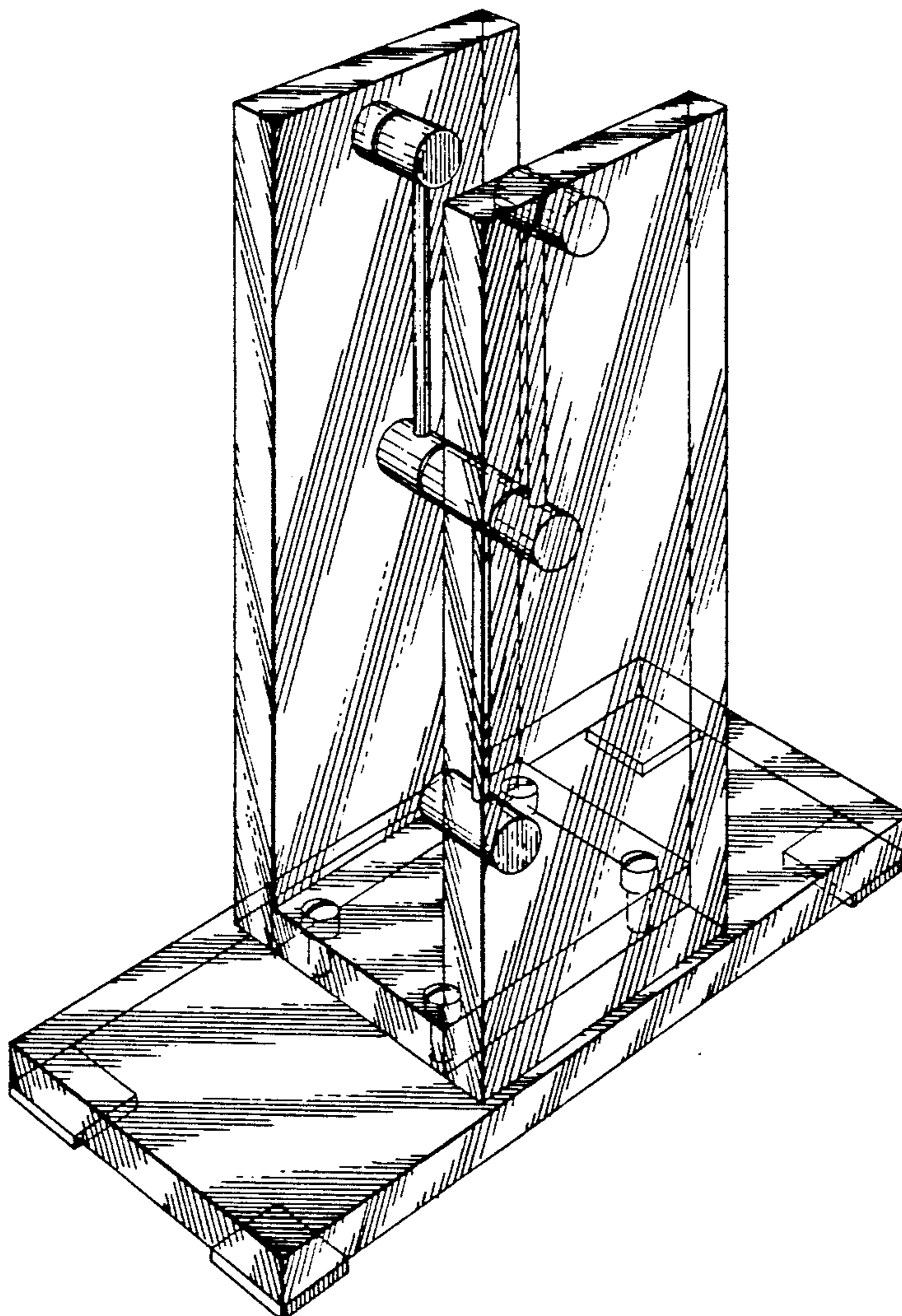
FIG. 4 is a top view of the chaotic motion pendulum of the present invention; and,

FIG. 5 is a bottom view of the chaotic motion pendulum of the present invention.

[56] References Cited

U.S. PATENT DOCUMENTS

D. 216,121 11/1969 Edson D19/624
3,594,925 7/1971 Abbat 434/302



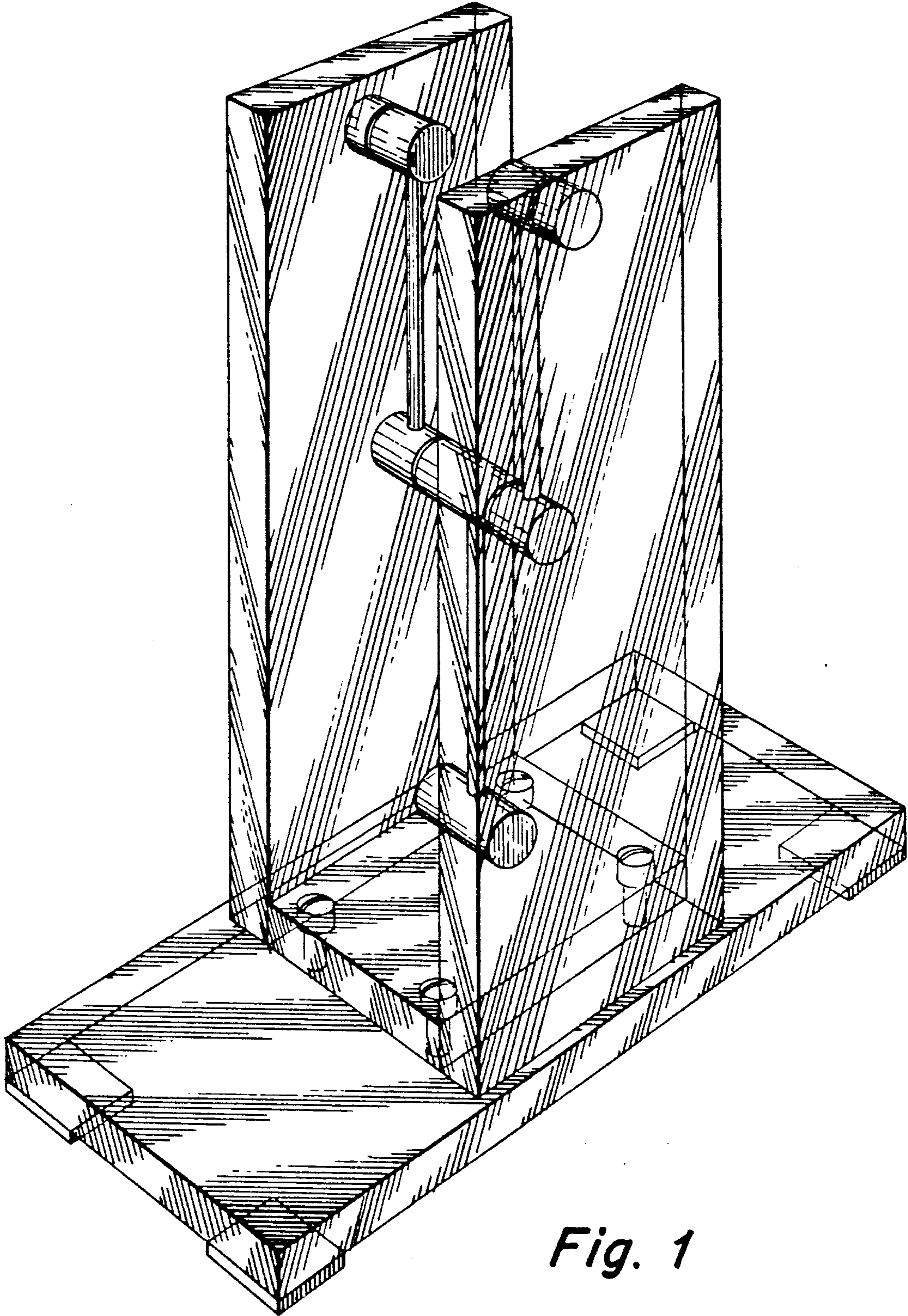


Fig. 1

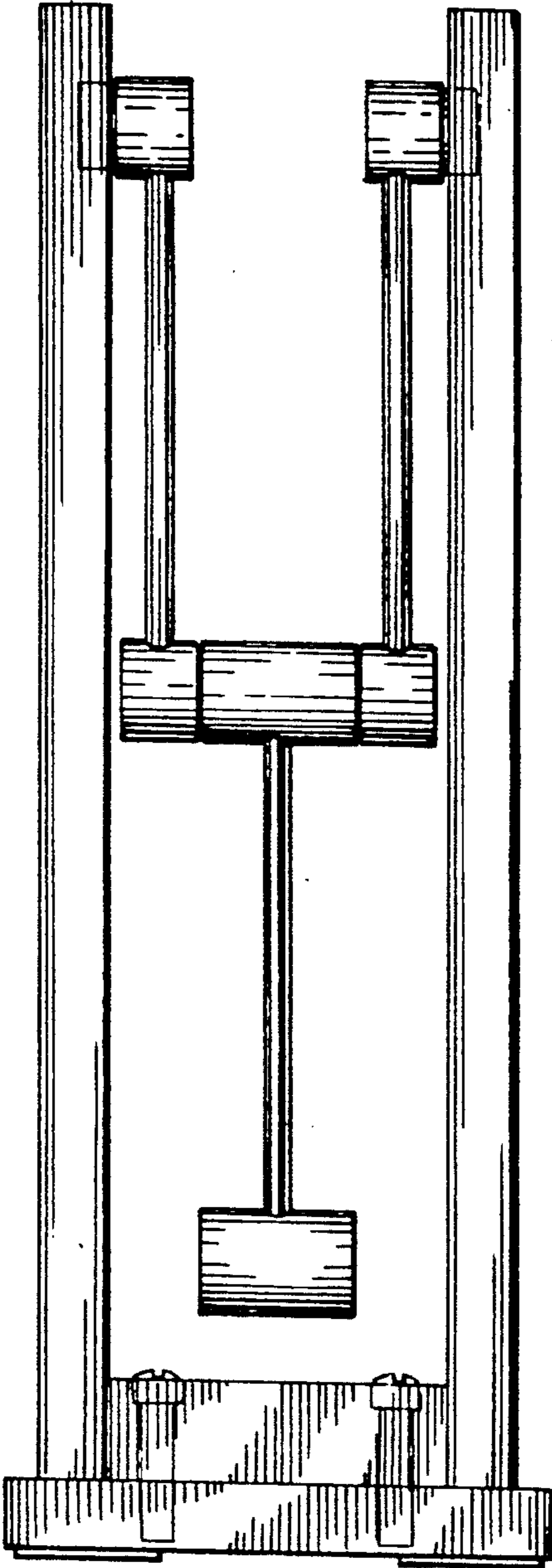


Fig. 2

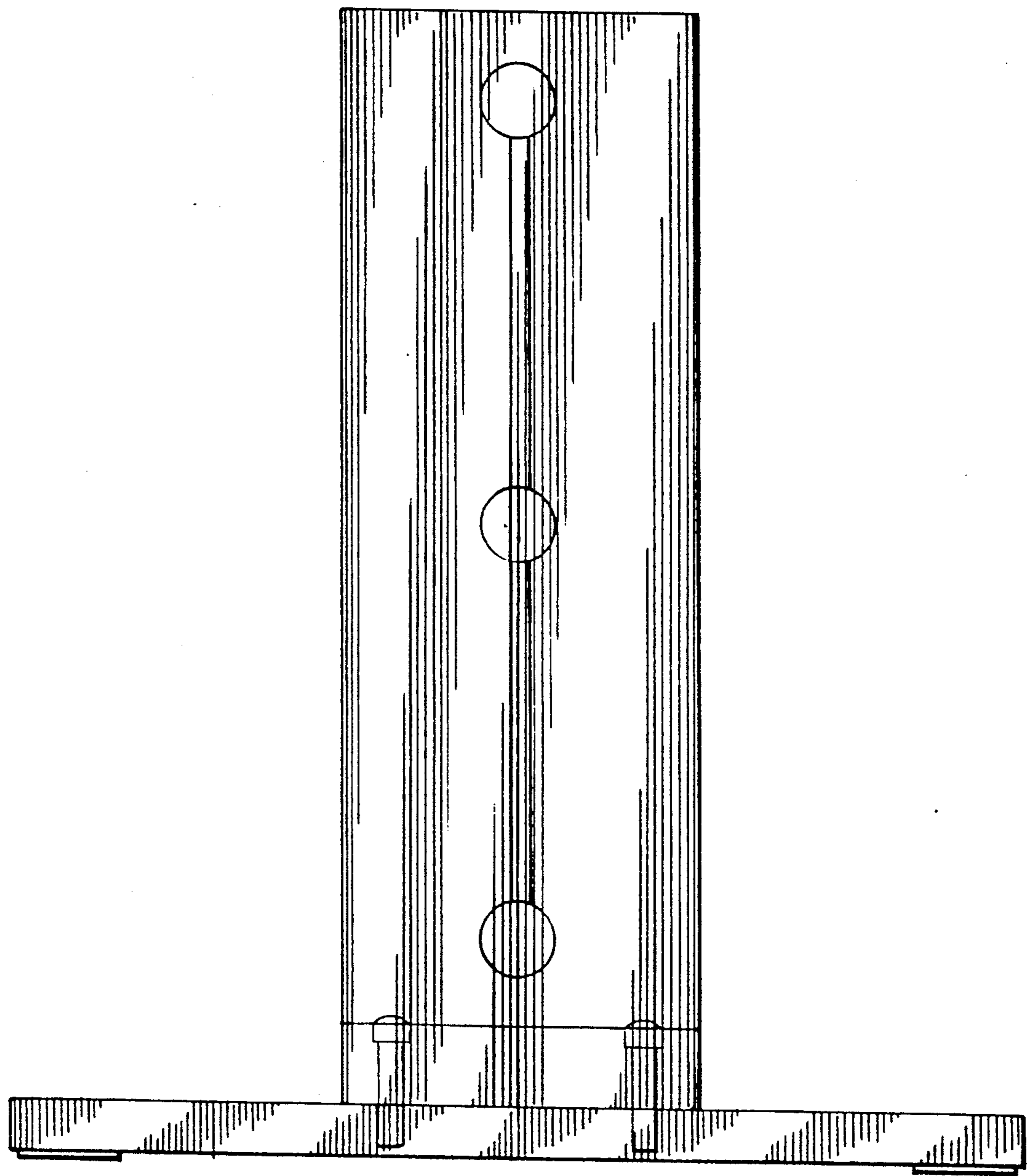


Fig. 3

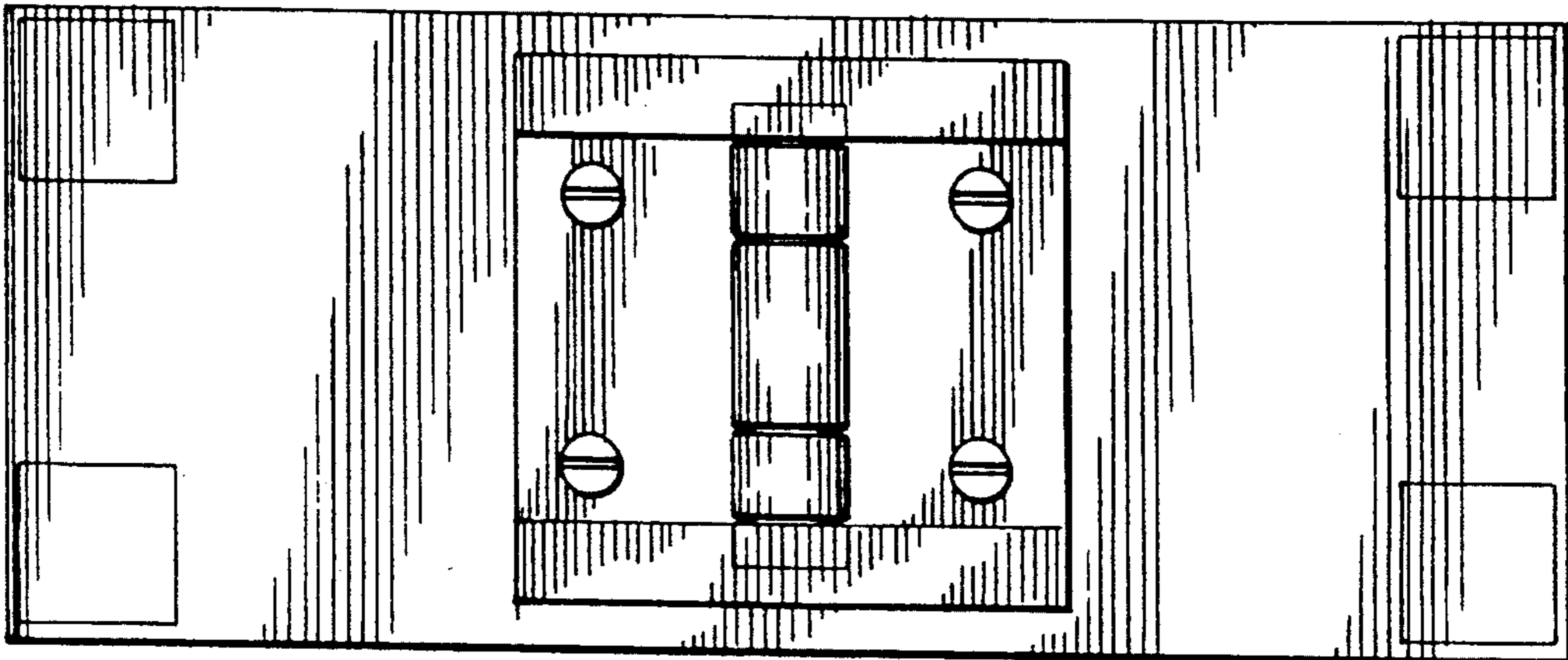


Fig. 4

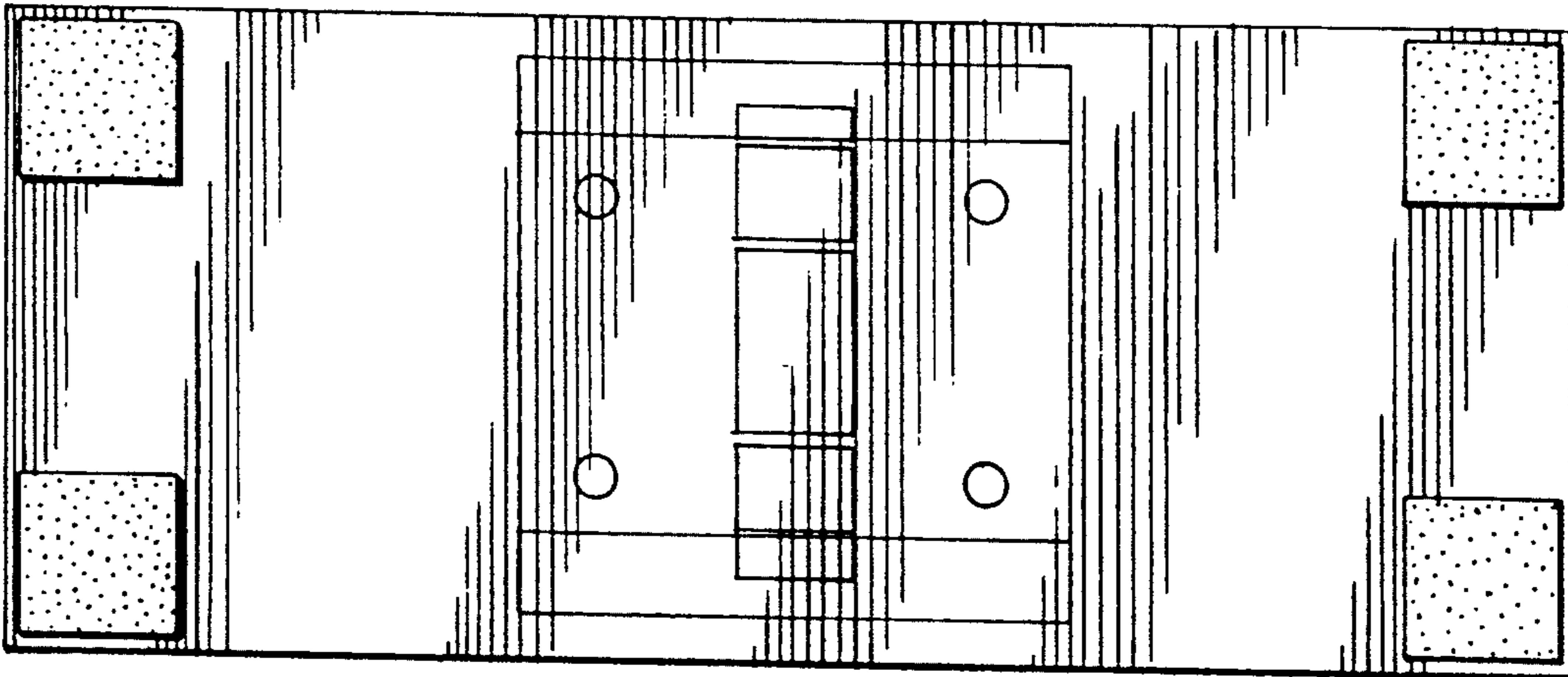


Fig. 5