



US00D346823S

United States Patent [19]

[11] Patent Number: **Des. 346,823**

Aiken et al.

[45] Date of Patent: **** May 10, 1994**

[54] **COMBINED HOLDER AND DISPLAY DEVICE FOR LEARNING CARDS**

4,801,266 1/1989 Kinberg 434/81

[75] Inventors: **Brian L. Aiken**, Orlando, Fla.;
Dominick Loscalzo, Whitestone;
Anthony J. Barsanti, New York, both
of N.Y.

Primary Examiner—Wallace R. Burke
Assistant Examiner—Pamela Burgess
Attorney, Agent, or Firm—John A. Doninger

[73] Assignee: **Dart Industries Inc.**, Deerfield, Ill.

[57] **CLAIM**

[**] Term: **14 Years**

The ornamental design for a combined holder and display device for learning cards, as shown and described.

[21] Appl. No.: **948,708**

DESCRIPTION

[22] Filed: **Sep. 15, 1992**

[52] U.S. Cl. **D19/64; D19/60**

[58] Field of Search 434/169, 126, 335, 201,
434/202, 113; D19/59, 60, 62; D14/100;
D10/15; D28/83

FIG. 1 is a front perspective view of the combined holder and display device for learning cards comprising the invention;

FIG. 2 is a rear perspective view thereof;

FIG. 3 is a front elevational view thereof;

FIG. 4 is a rear elevational view thereof;

FIG. 5 is a top plan view thereof;

FIG. 6 is a bottom plan view thereof;

FIG. 7 is a side elevational view thereof, the side opposite being a mirror image thereof;

FIG. 8 is front perspective view thereof with the cover open; and,

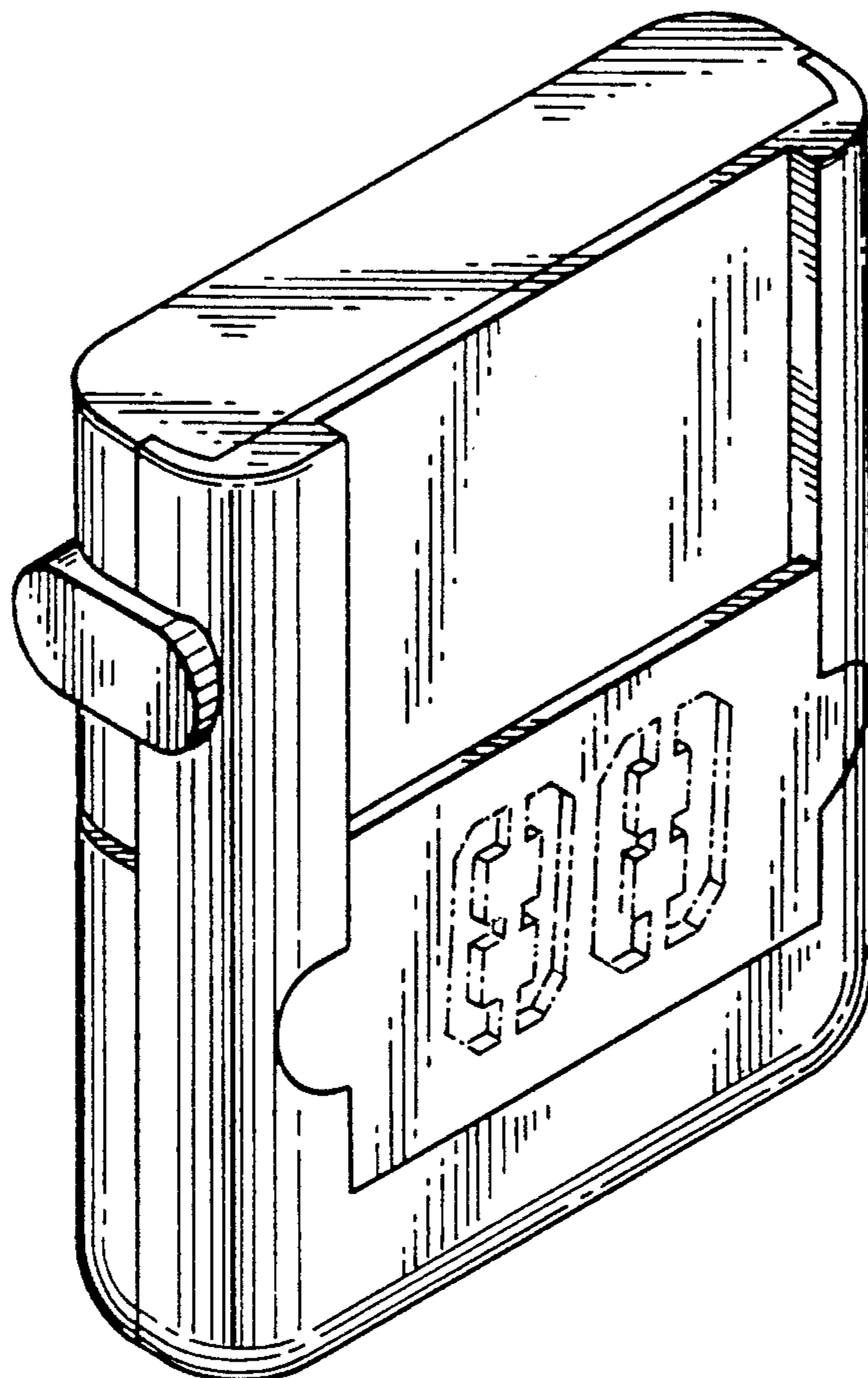
FIG. 9 is a rear perspective view thereof with the cover open.

The broken lines shown in FIGS. 1, 3 and 8 are for illustrative purposes only and form no part of the design.

[56] **References Cited**

U.S. PATENT DOCUMENTS

D. 248,974	8/1978	Ballereaud .	
D. 260,305	8/1981	MacGregor et al. .	
D. 277,420	1/1985	Bakic .	
D. 282,935	3/1986	Shifflett	D19/60
D. 284,606	7/1986	Koontz .	
D. 309,437	7/1990	Ng .	
D. 318,019	7/1991	van Lelyveld .	
3,795,063	3/1974	Nelson	434/169 X



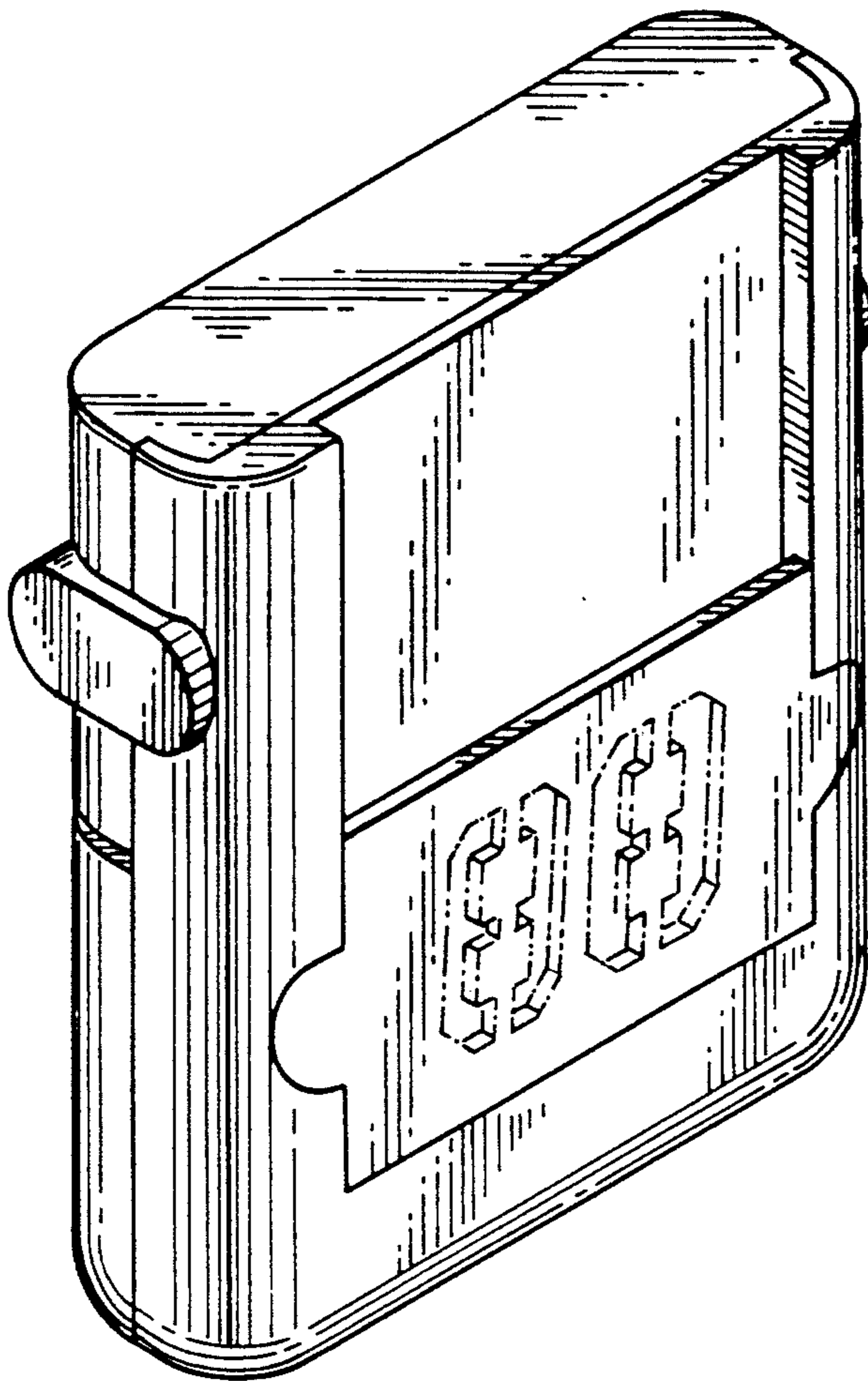


FIG. 1

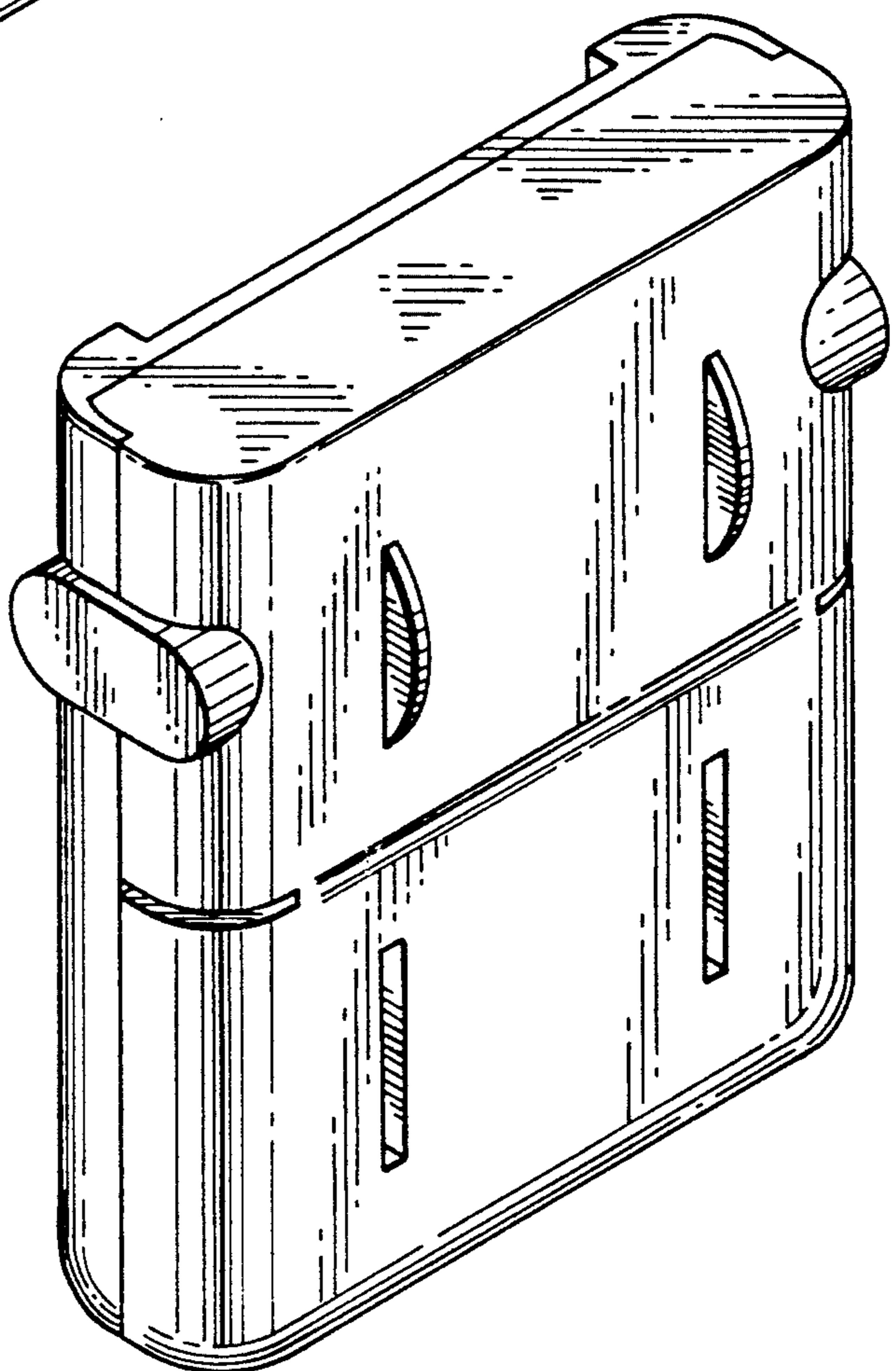


FIG. 2

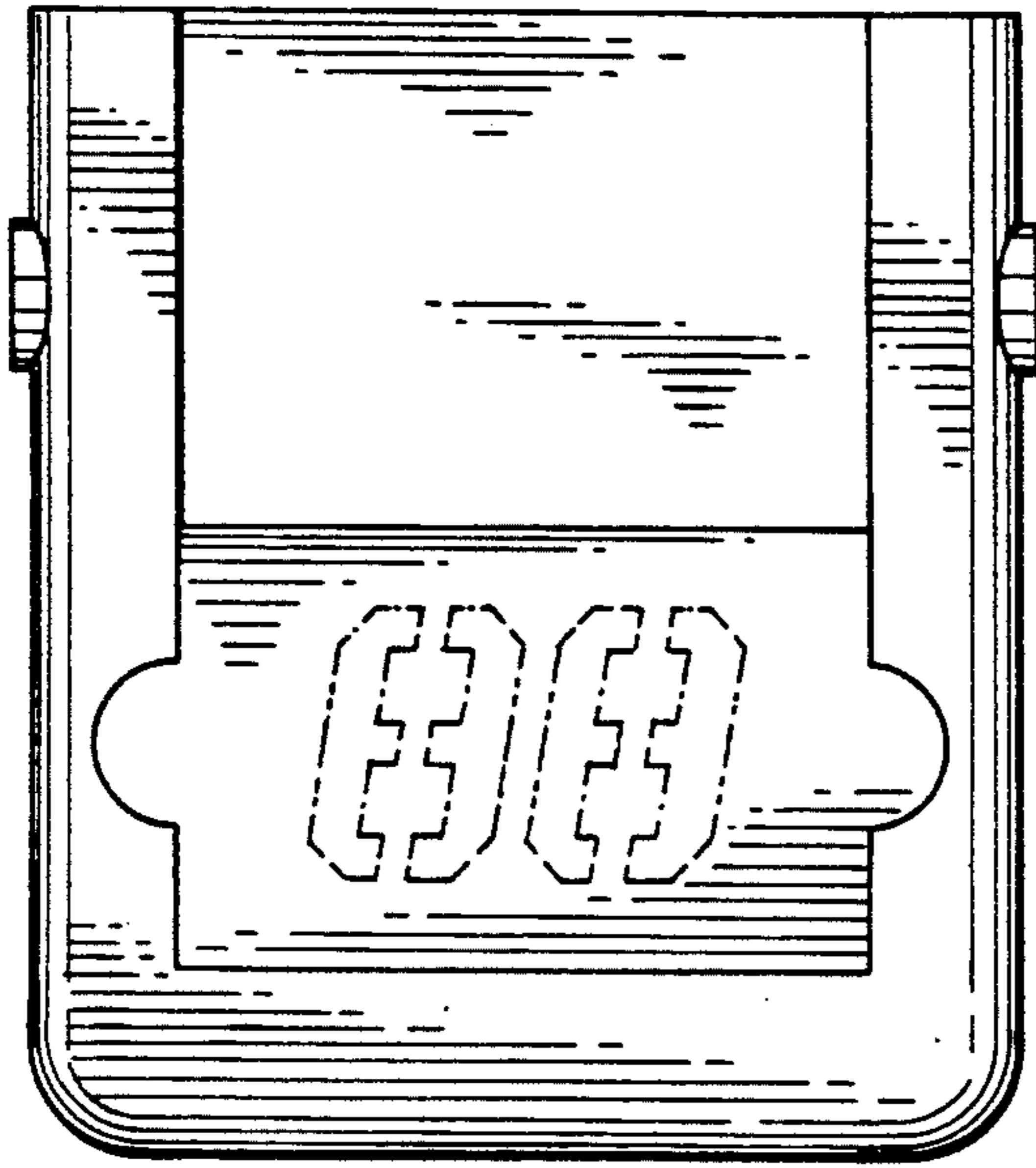


FIG. 3

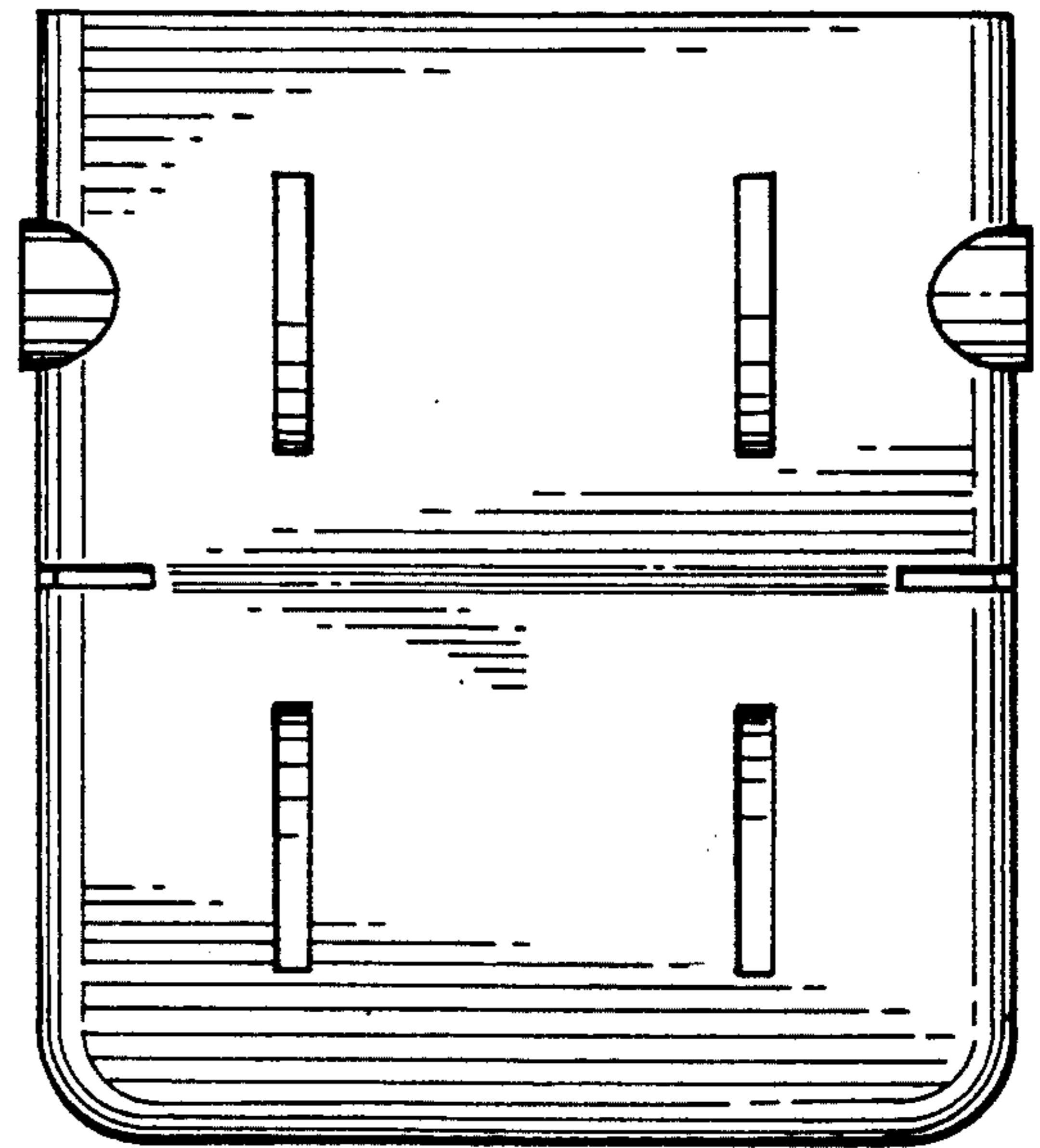


FIG. 4

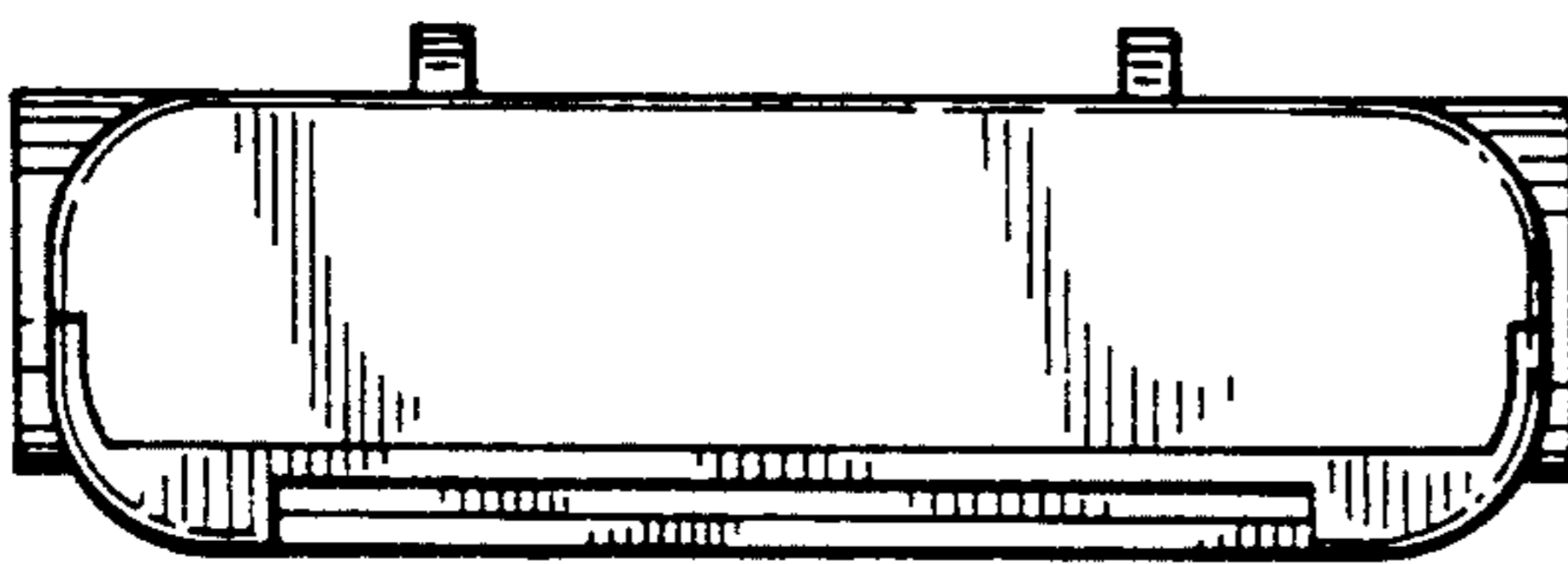


FIG. 5

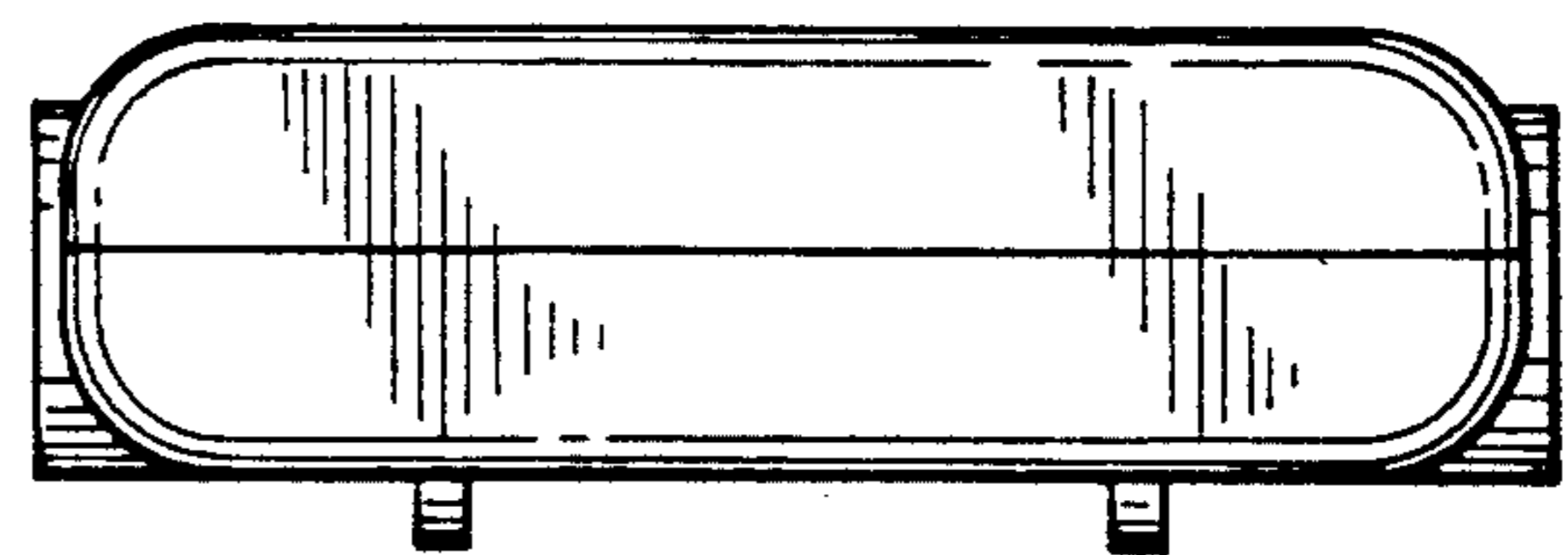


FIG. 6

FIG. 7

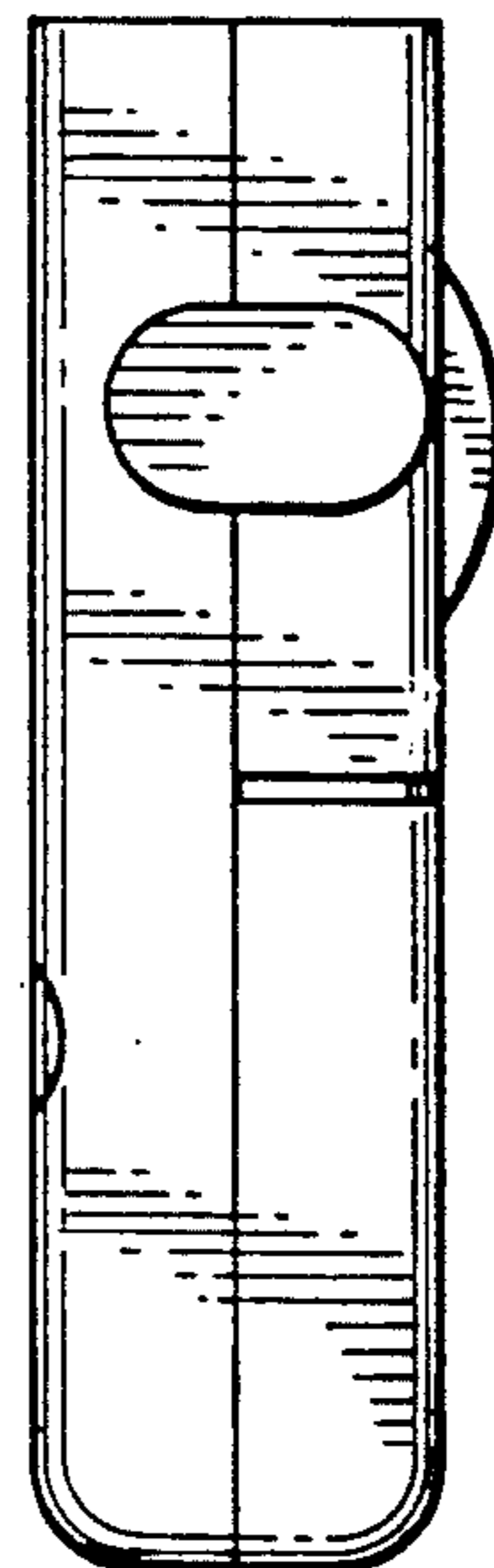


FIG. 8

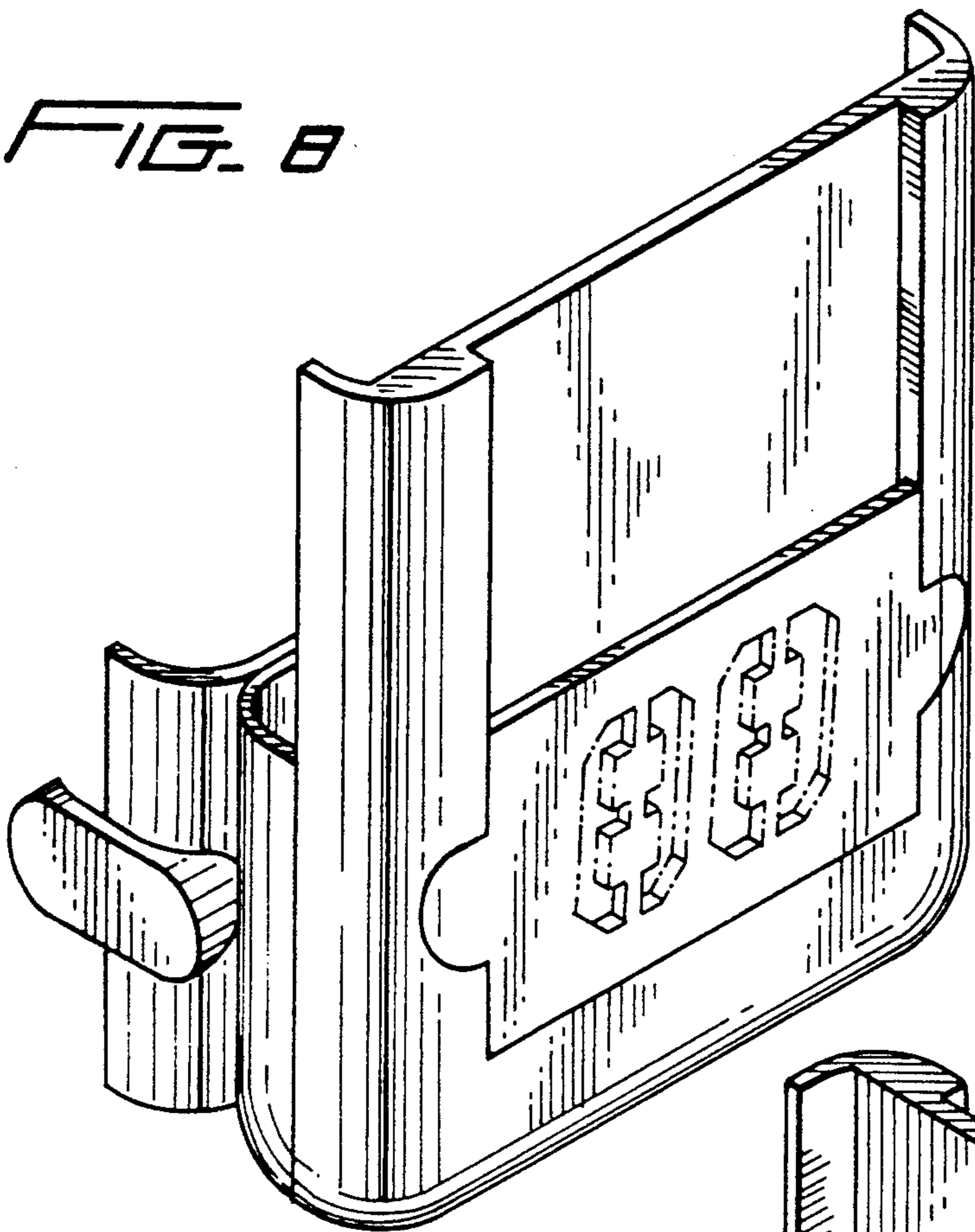


FIG. 9

