



US00D346821S

# United States Patent [19]

[11] Patent Number: **Des. 346,821**

Smith

[45] Date of Patent: **\*\* May 10, 1994**

[54] **STEPPED DIAMETER RECESSED SOLID INK PELLETT**

[56] **References Cited**

[75] Inventor: **Philip N. Smith, Valencia, Calif.**

### U.S. PATENT DOCUMENTS

[73] Assignee: **Dataproducts Corporation, Woodland Hills, Calif.**

D. 265,176	6/1982	Bock	.....	D9/355 X
D. 280,975	10/1985	Van Dine	.....	D9/353
4,484,827	11/1984	Price, Jr.	.....	400/202.2 X
4,739,339	4/1988	DeYoung et al.	.....	400/126

[\*\*] Term: **14 Years**

*Primary Examiner*—Wallace R. Burke  
*Assistant Examiner*—Freda S. Nunn  
*Attorney, Agent, or Firm*—Spensley Horn Jubas & Lubitz

[21] Appl. No.: **919,973**

### [57] CLAIM

[22] Filed: **Jul. 27, 1992**

The ornamental design for a stepped diameter recessed solid ink pellet, as shown and described.

### Related U.S. Application Data

### DESCRIPTION

[63] Continuation of Ser. No. 431,983, Nov. 2, 1989, abandoned.

[52] U.S. Cl. .... **D18/56; D15/144**

[58] Field of Search ..... 101/301, 335, 422, DIG. 47; 346/140 R; 400/191, 198, 200, 202.1, 202.2, 202.3, 202.4, 126; D1/100; D9/353, 355; 164/DIG. 6; D18/22, 99, 43, 2; D25/112, 113, 117; D13/100; D24/100, 101, 104; D15/144

FIG. 1 is a perspective view of a stepped diameter recessed solid ink pellet showing my new design;

FIG. 2 is a side elevational view thereof, the opposite side being a mirror image;

FIG. 3 is a top plan view thereof, the bottom being a mirror image; and,

FIG. 4 is a cross-sectional view thereof taken along lines 4—4 of FIG. 1.

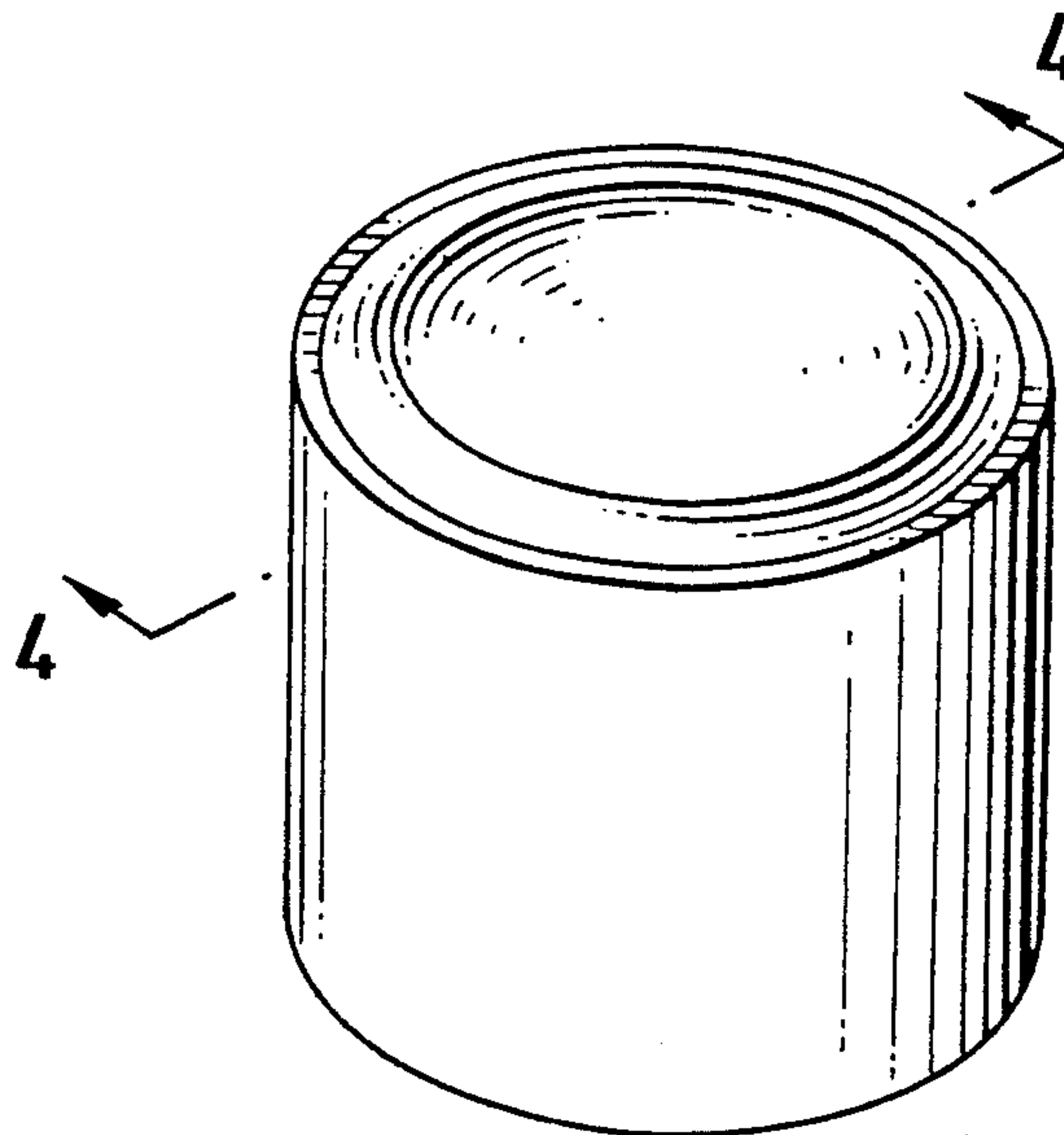


FIG. 1

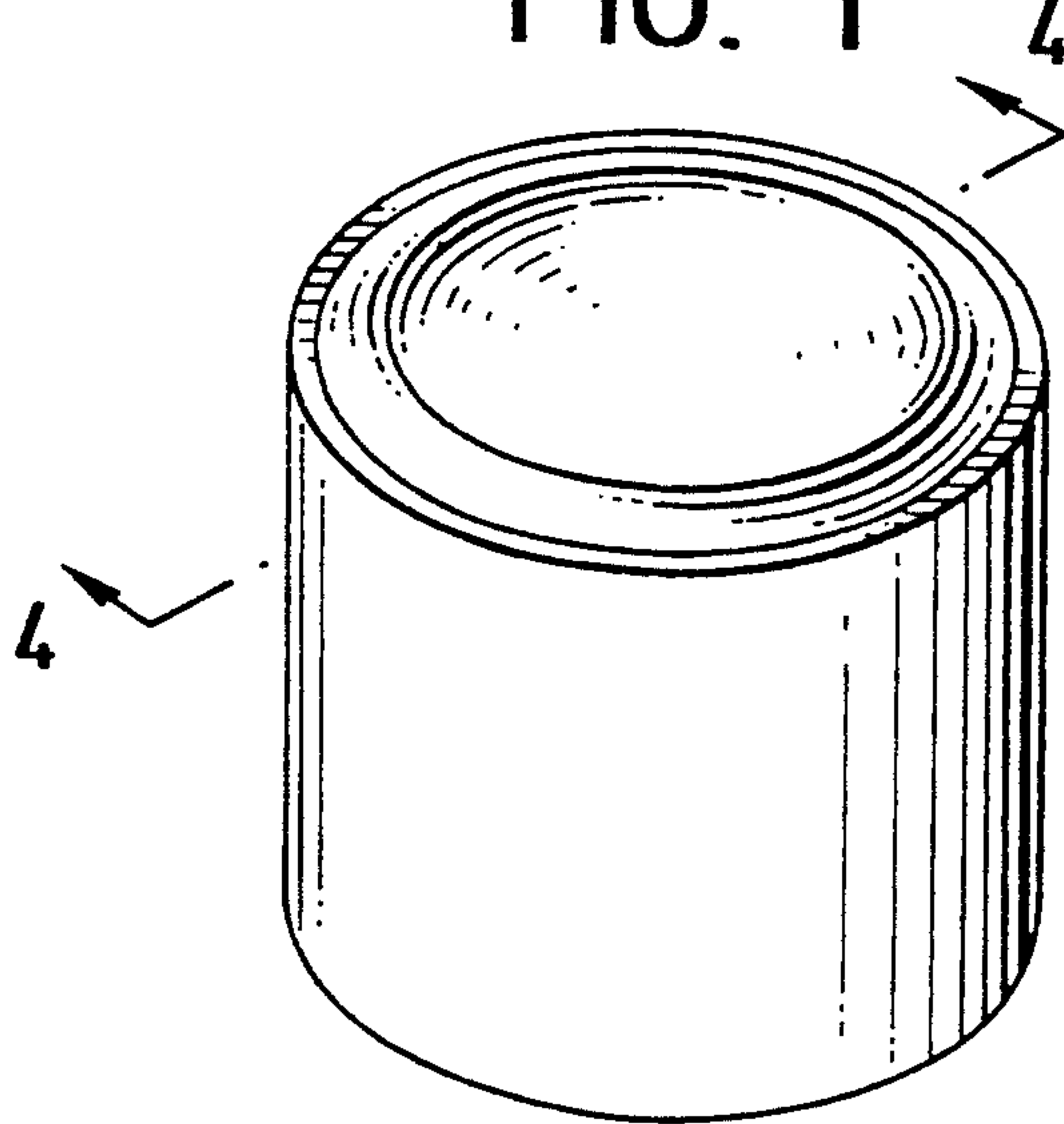


FIG. 2

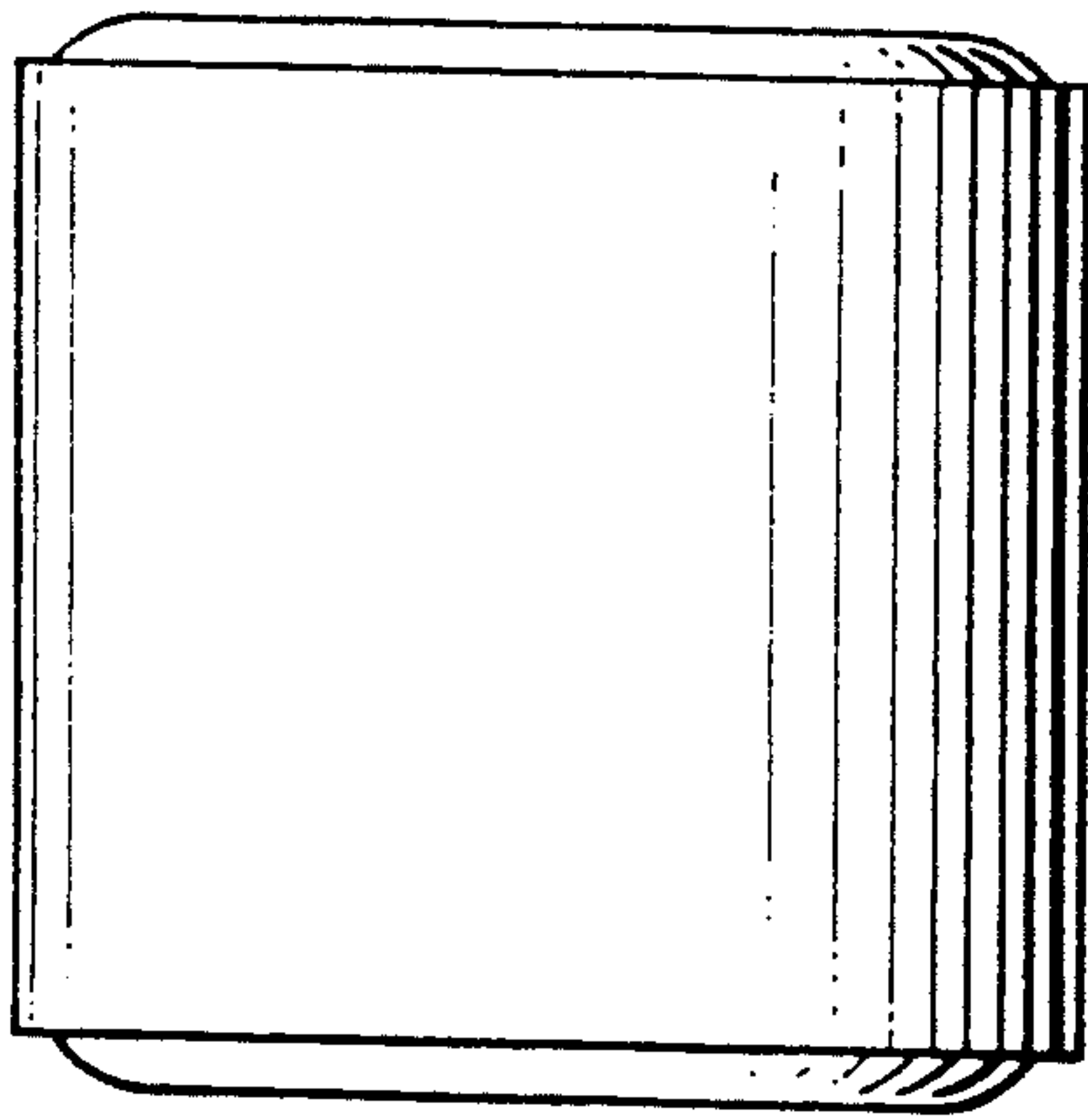


FIG. 3

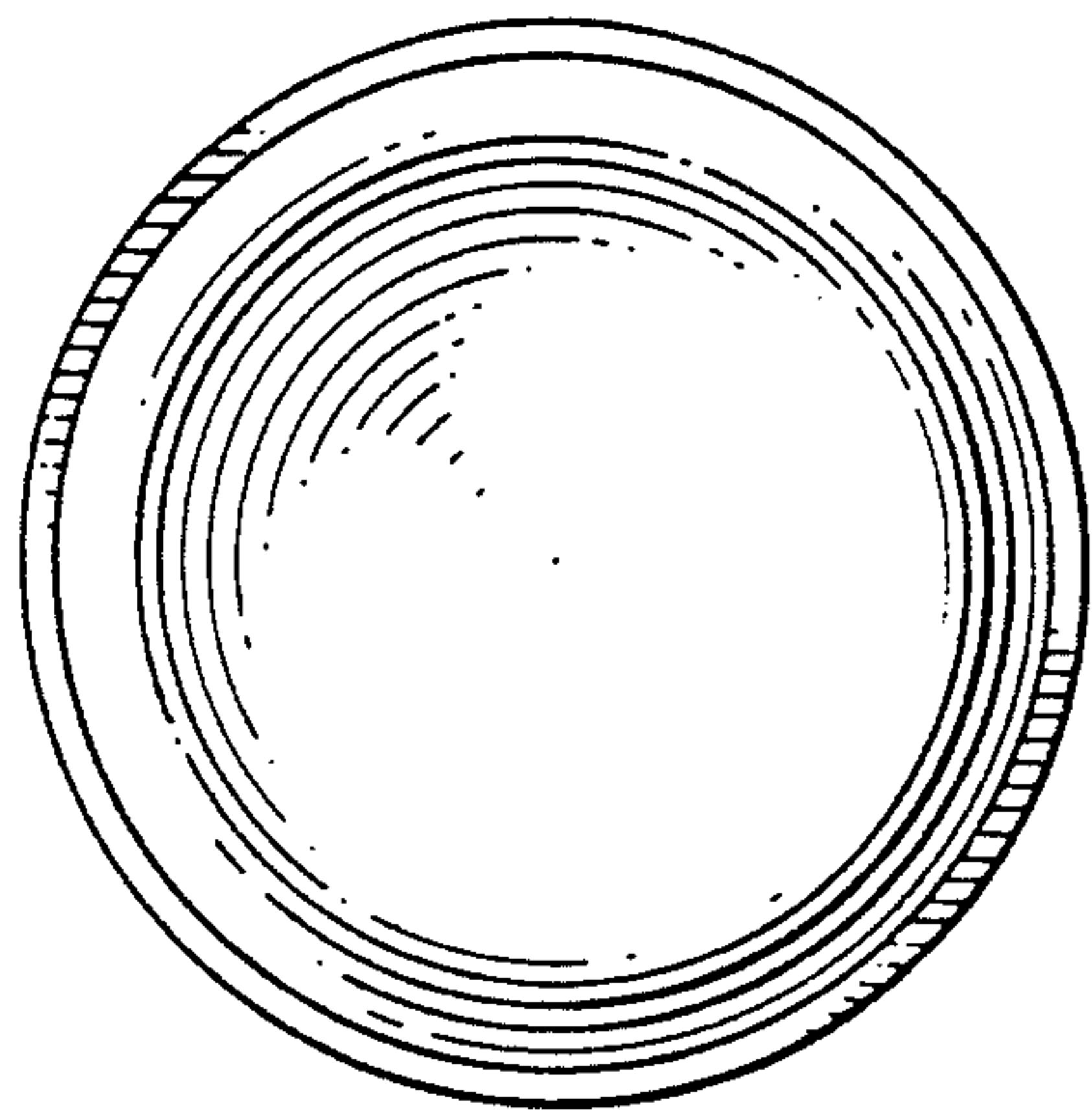


FIG. 4

