



US00D346819S

United States Patent [19]

[11] Patent Number: **Des. 346,819**

Taniguchi et al.

[45] Date of Patent: **** May 10, 1994**

[54] **TONER CARTRIDGE**

[75] Inventors: **Masami Taniguchi, Osaka; Yoshihiko Tanaka, Moriguchi, both of Japan**

[73] Assignee: **Mita Industrial Co., Ltd., Osaka, Japan**

[**] Term: **14 Years**

[21] Appl. No.: **871,470**

[22] Filed: **Apr. 21, 1992**

[30] **Foreign Application Priority Data**

Nov. 26, 1991 [JP] Japan 3-35795

Nov. 26, 1991 [JP] Japan 3-35796

[52] U.S. Cl. **D18/43; 222/166; 222/325**

[58] Field of Search 222/DIG. 1, 166, 325, 222/541, 240; 118/657; 141/1; 206/216, 446, 461; 355/260, 298; D18/22, 40, 43

[56] **References Cited**

U.S. PATENT DOCUMENTS

- D. 307,767 5/1990 Tsumuno D18/43
- D. 310,845 9/1990 Ohata D18/43
- D. 329,659 9/1992 Mizukami D18/40 X
- 4,280,780 7/1981 Neufeldt 222/166 X
- 4,513,885 4/1985 Hogan 222/325 X

Primary Examiner—Alan P. Douglas

Assistant Examiner—Robert M. Spear
Attorney, Agent, or Firm—Jordan and Hamburg

[57] **CLAIM**

The ornamental design for a toner cartridge, as shown and described.

DESCRIPTION

FIG. 1 is a front view of a toner cartridge showing our new design;

FIG. 2 is a rear view of the toner cartridge;

FIG. 3 is a top view of the toner cartridge;

FIG. 4 is a bottom view of the toner cartridge;

FIG. 5 is a right side view of the toner cartridge;

FIG. 6 is a left side view of the toner cartridge;

FIG. 7 is a perspective view of the toner cartridge;

FIG. 8 is a front view of a embodiment of our new design;

FIG. 9 is a rear view of the second embodiment of the toner cartridge;

FIG. 10 is a top view of the second embodiment of the toner cartridge;

FIG. 11 is a bottom view of the second embodiment of the toner cartridge;

FIG. 12 is a right side view of the second embodiment of the toner cartridge;

FIG. 13 is a left side view of the second embodiment of the toner cartridge; and,

FIG. 14 is a perspective view of the second embodiment of the toner cartridge.

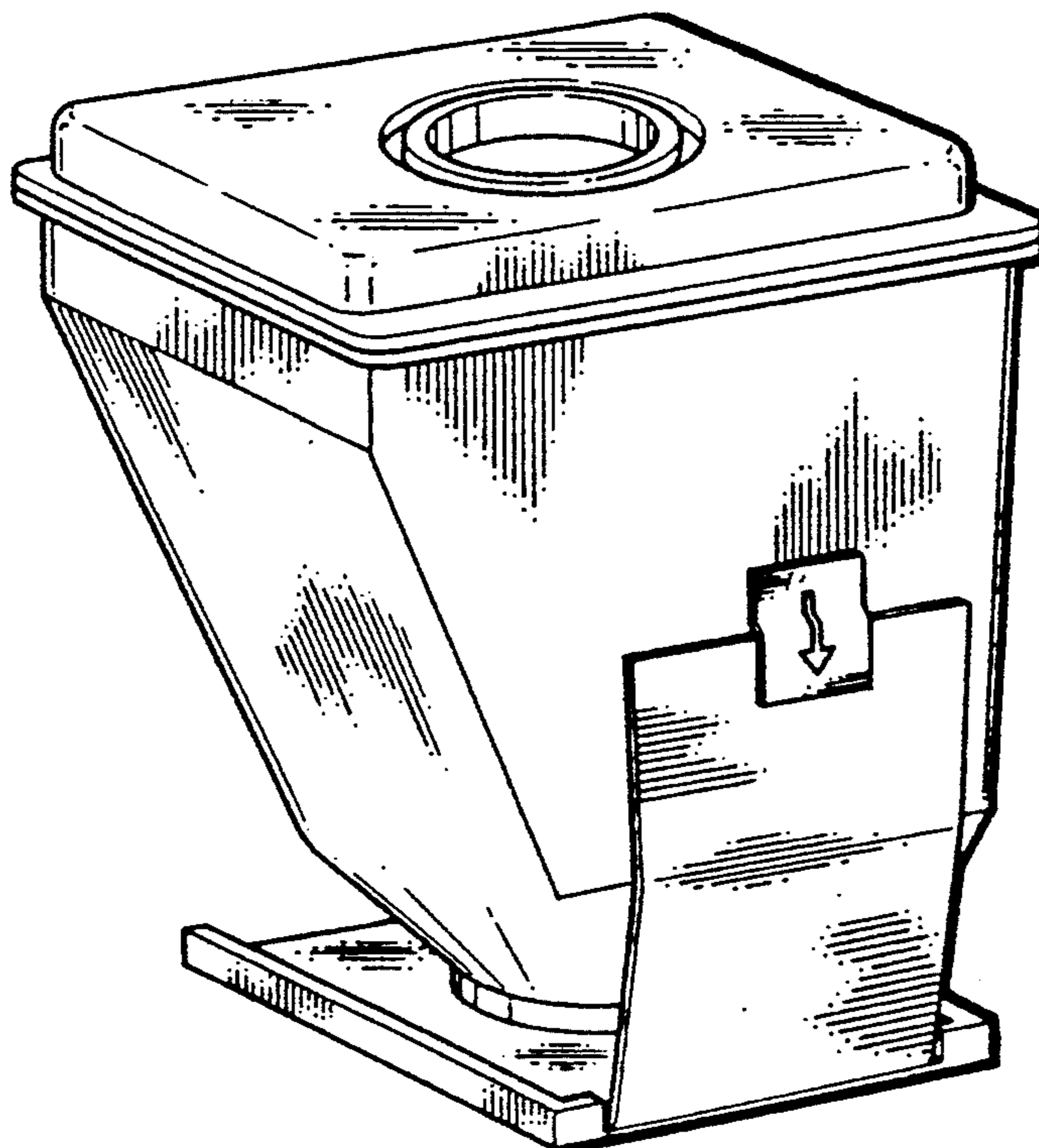


FIG. 1

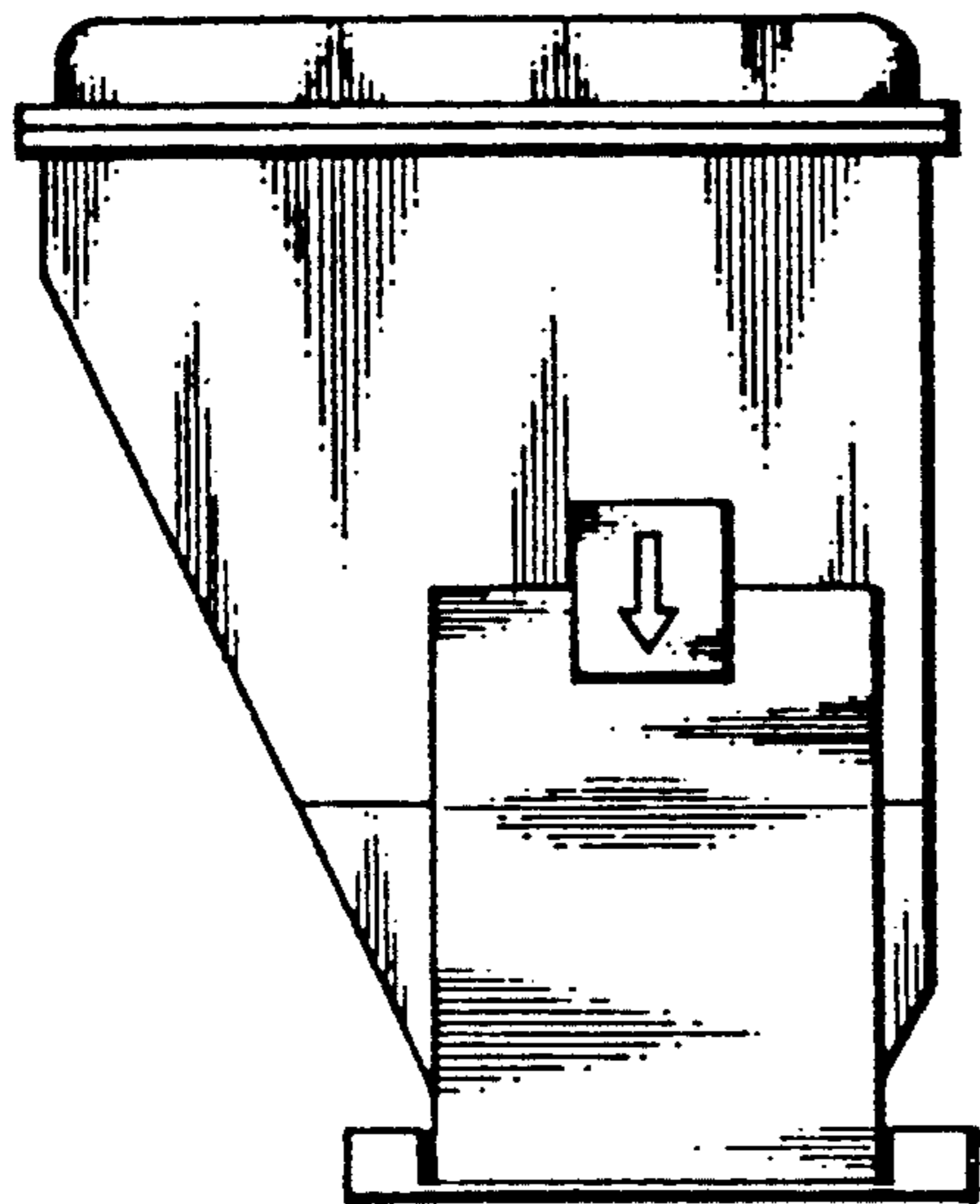


FIG. 2

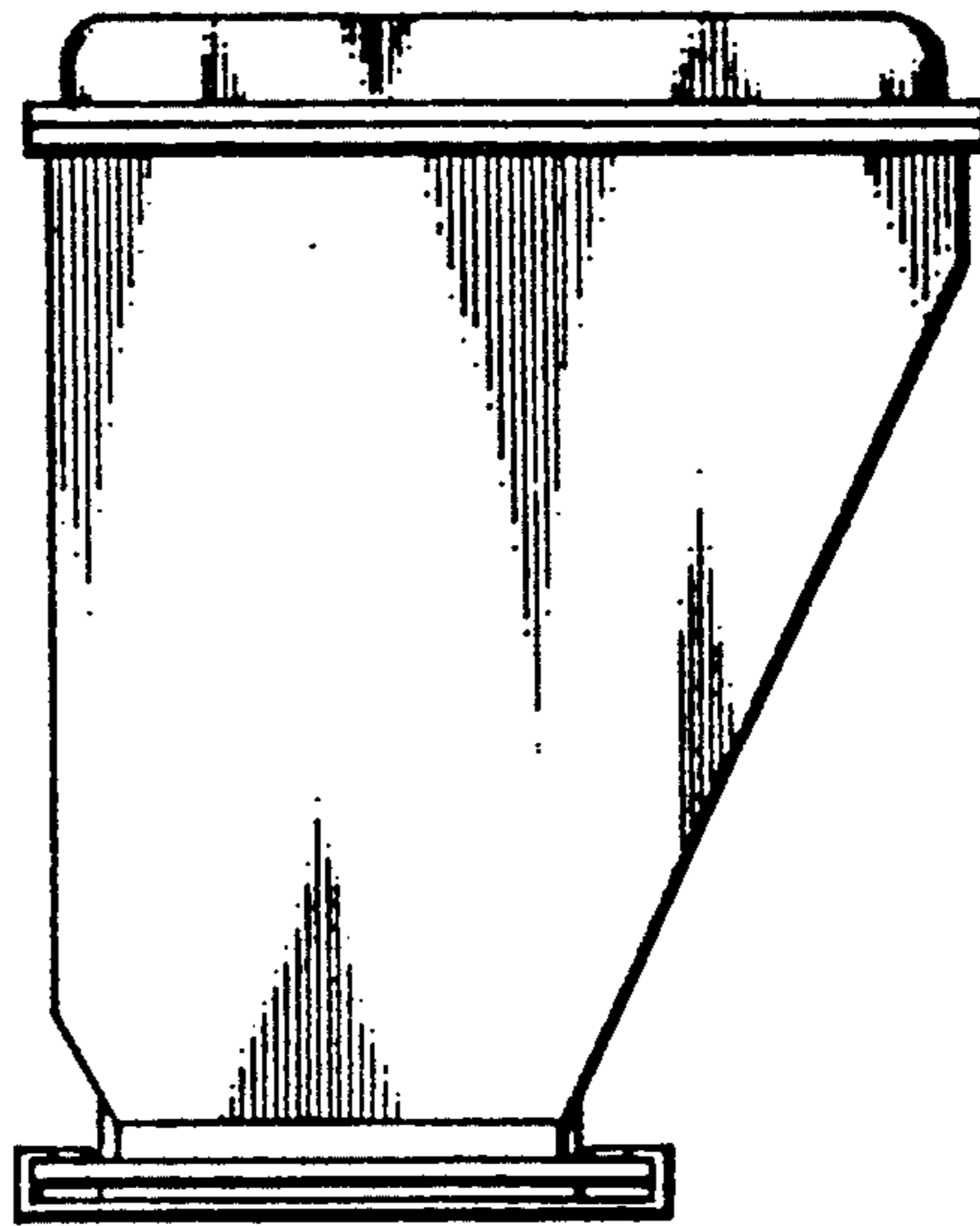


FIG. 3

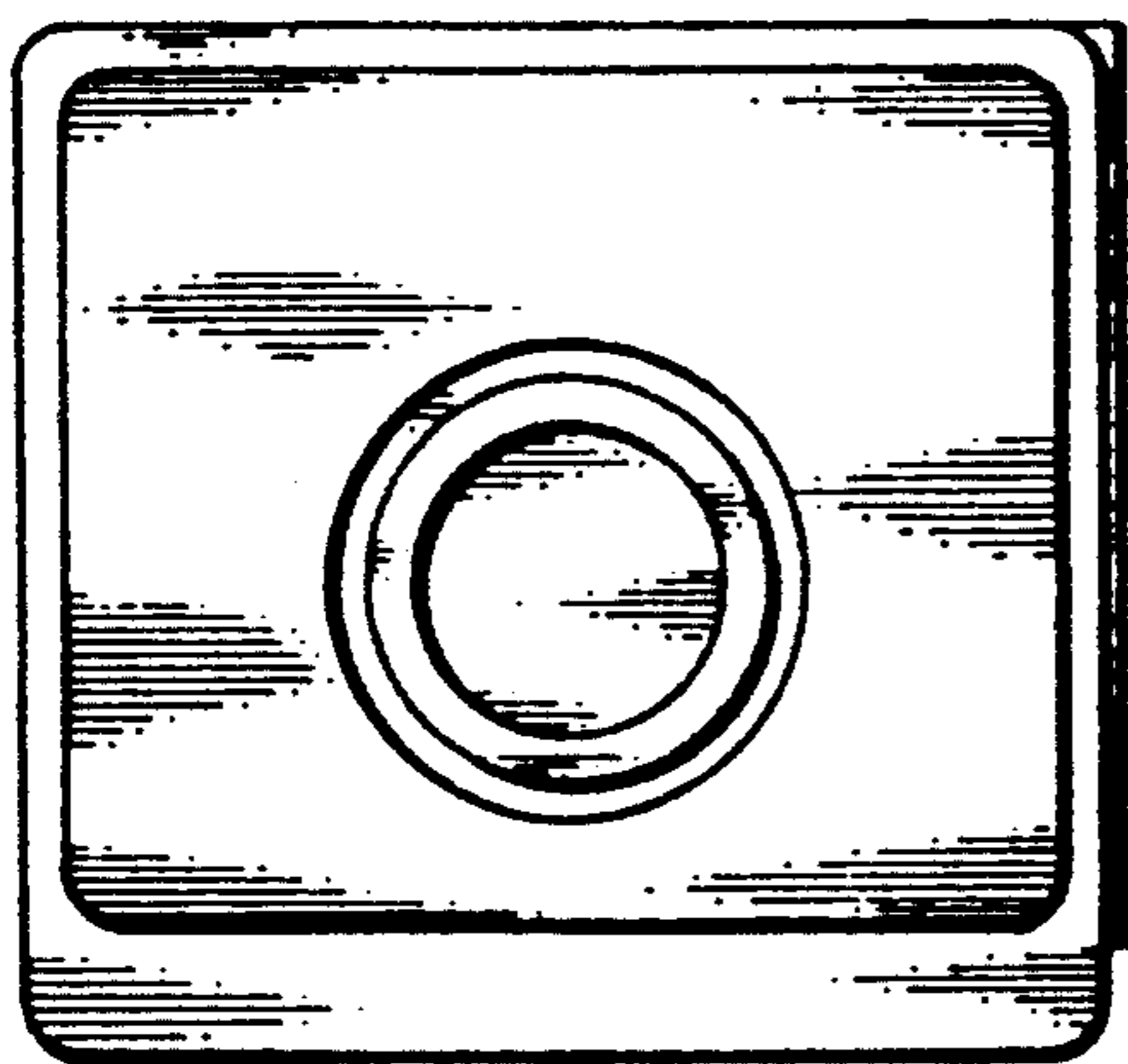


FIG. 4

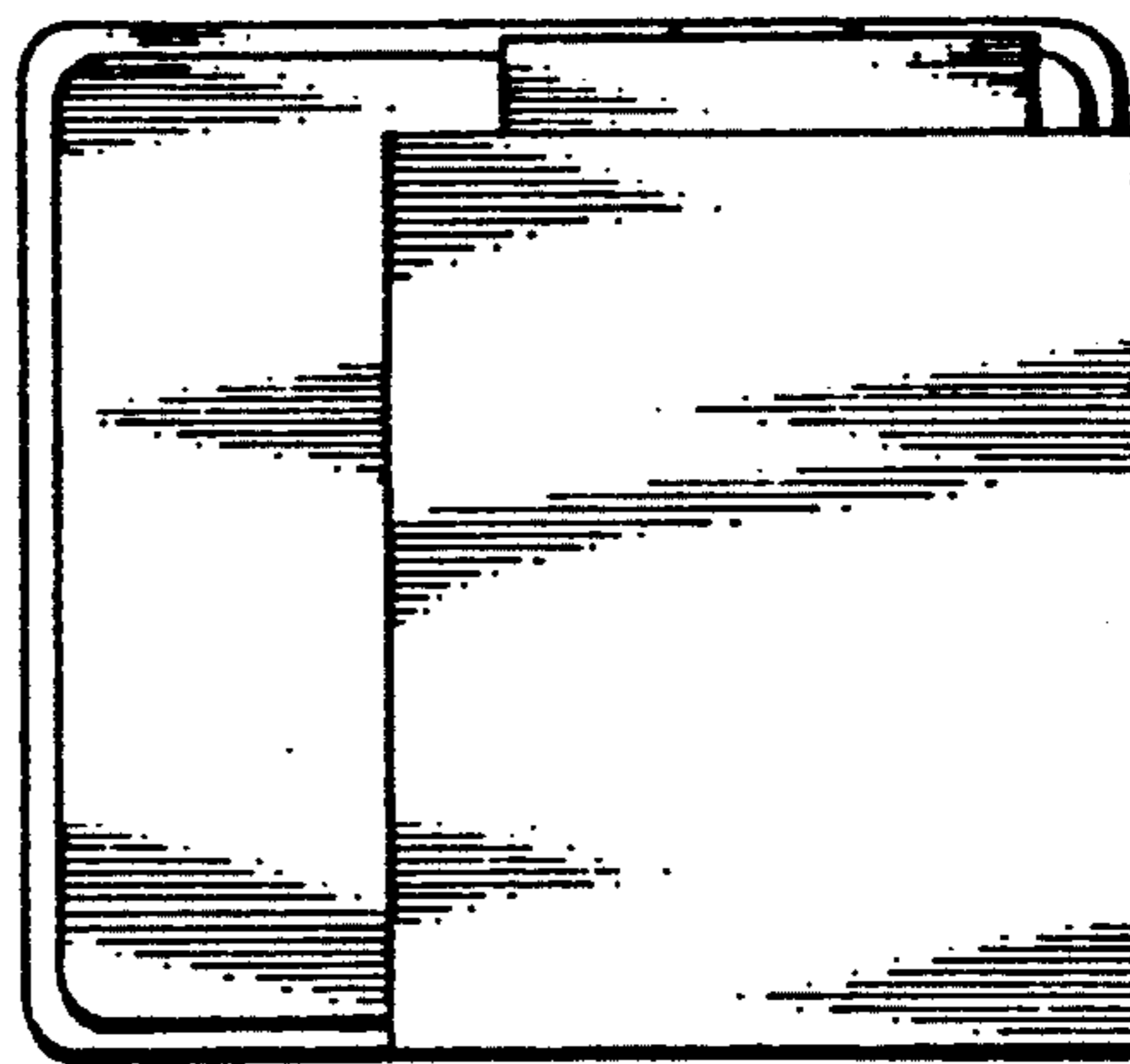


FIG. 5



FIG. 6

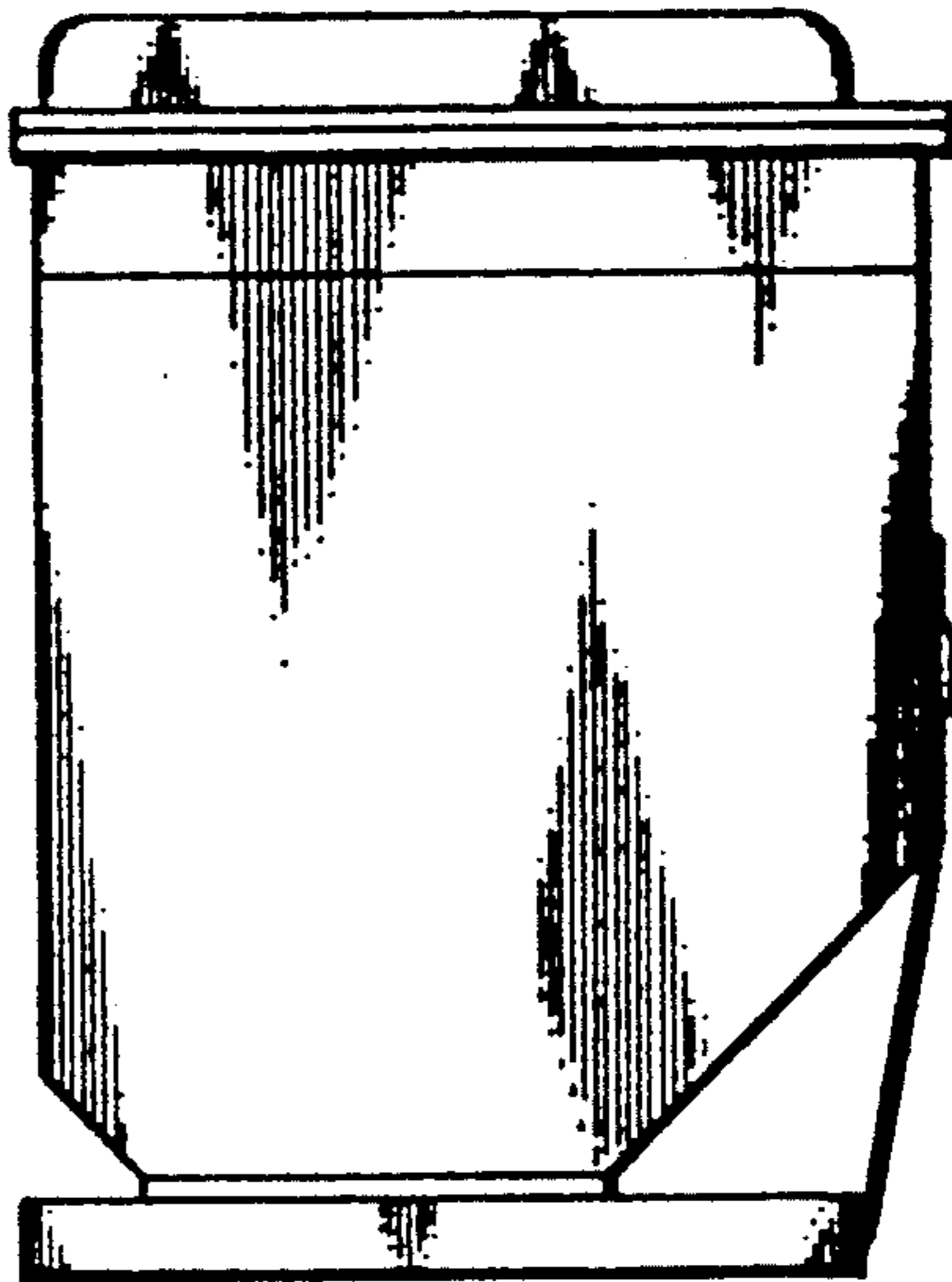


FIG. 7

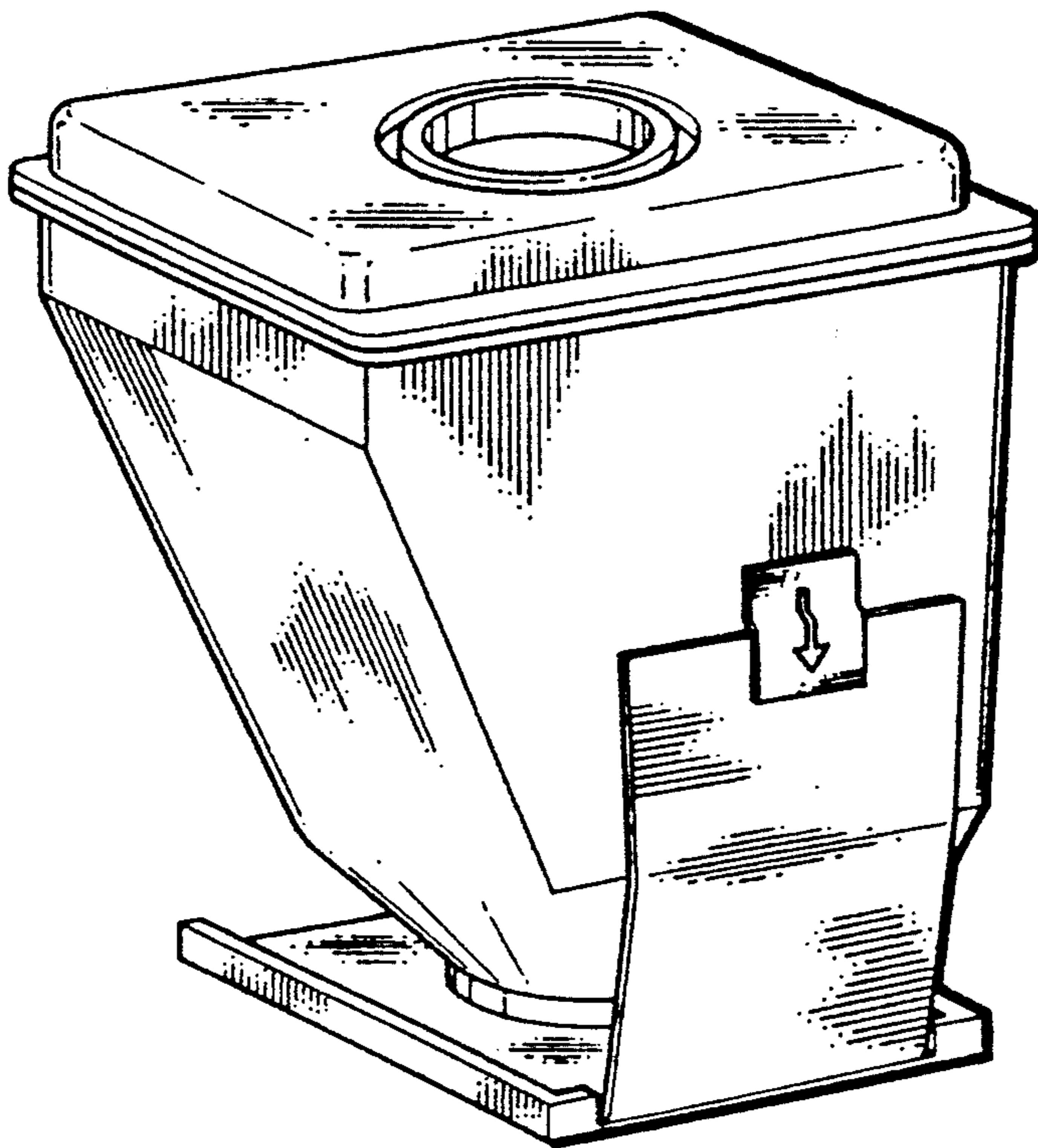


FIG. 8

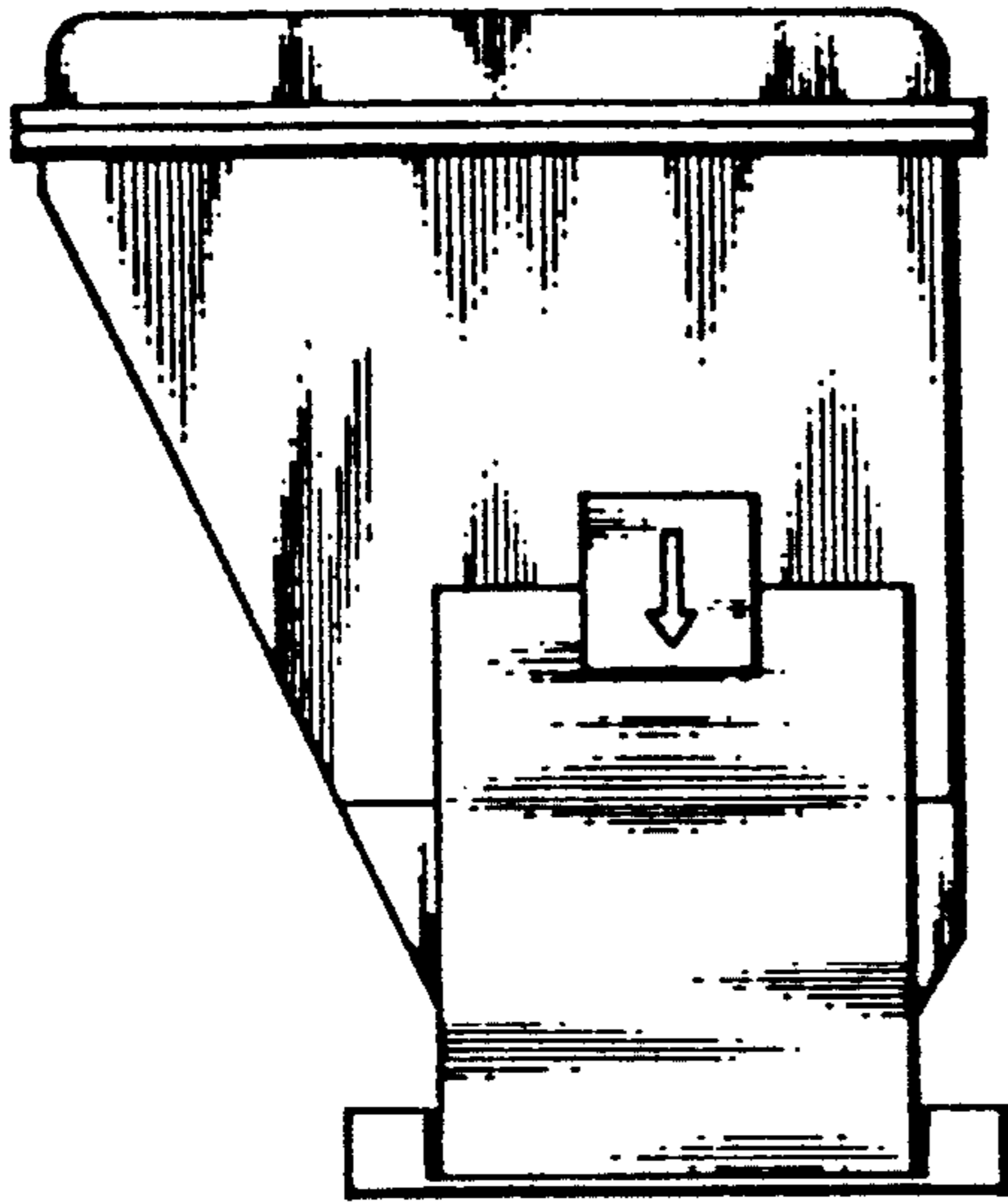


FIG. 9

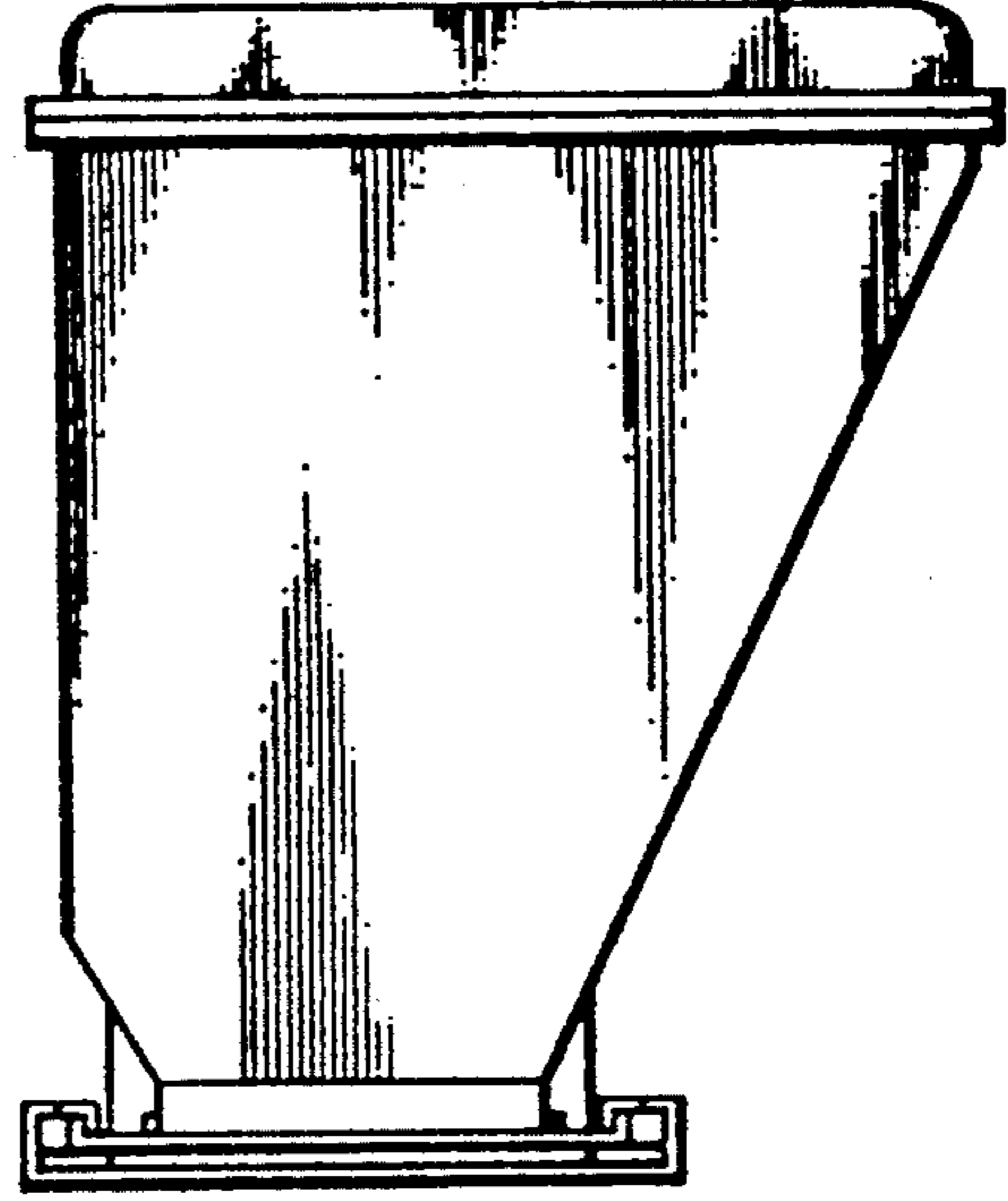


FIG. 10

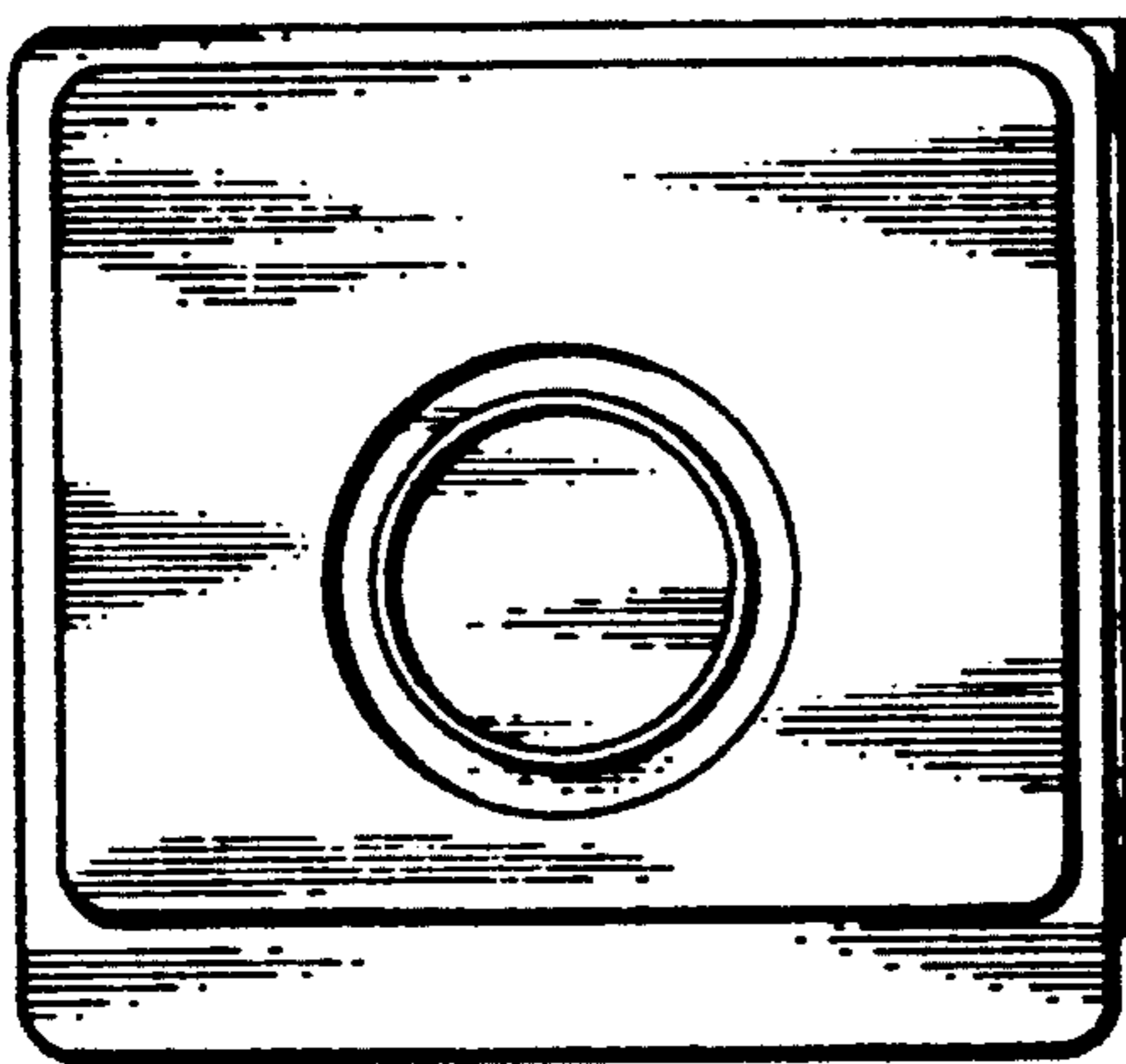


FIG. 11

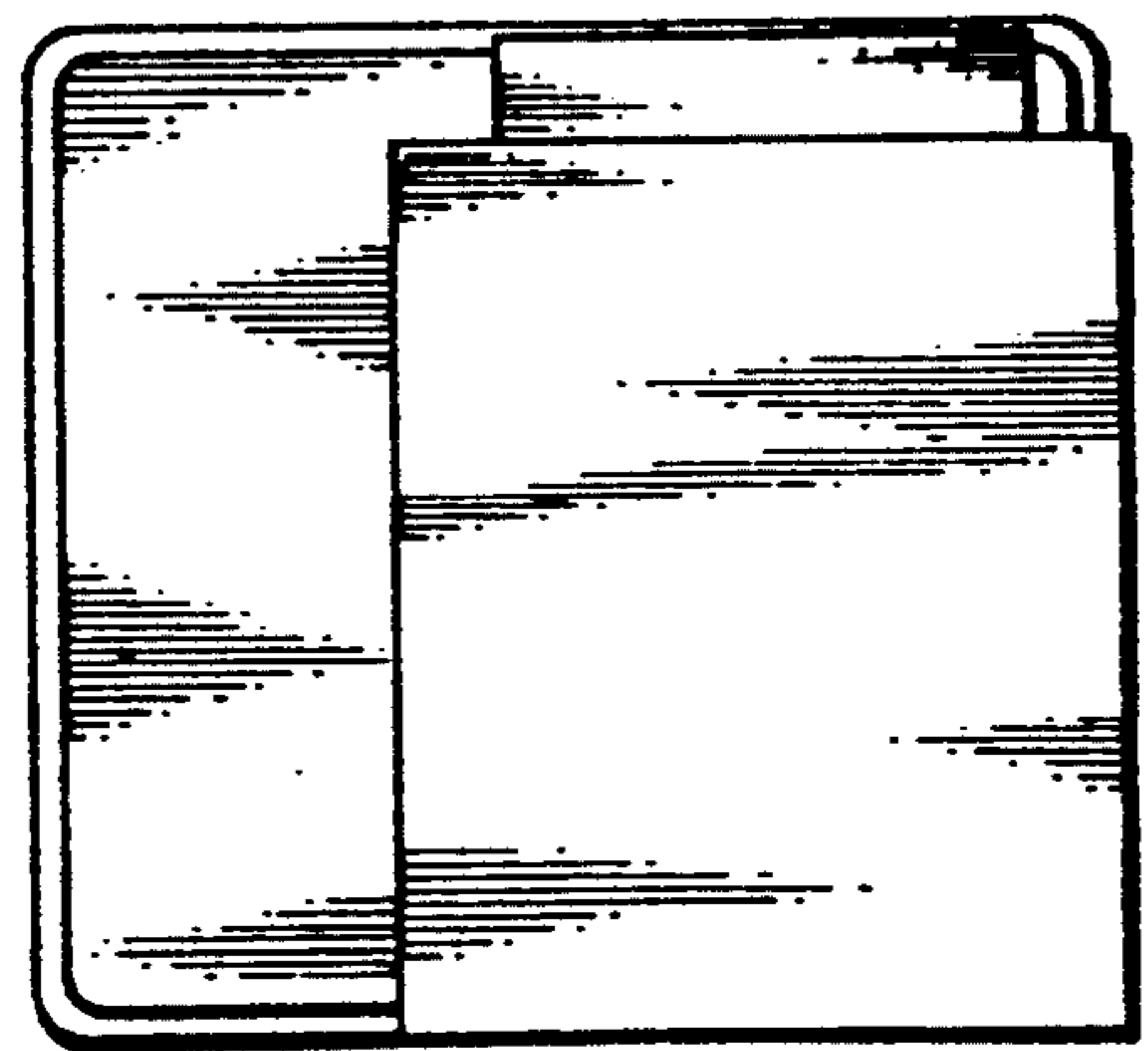


FIG. 12

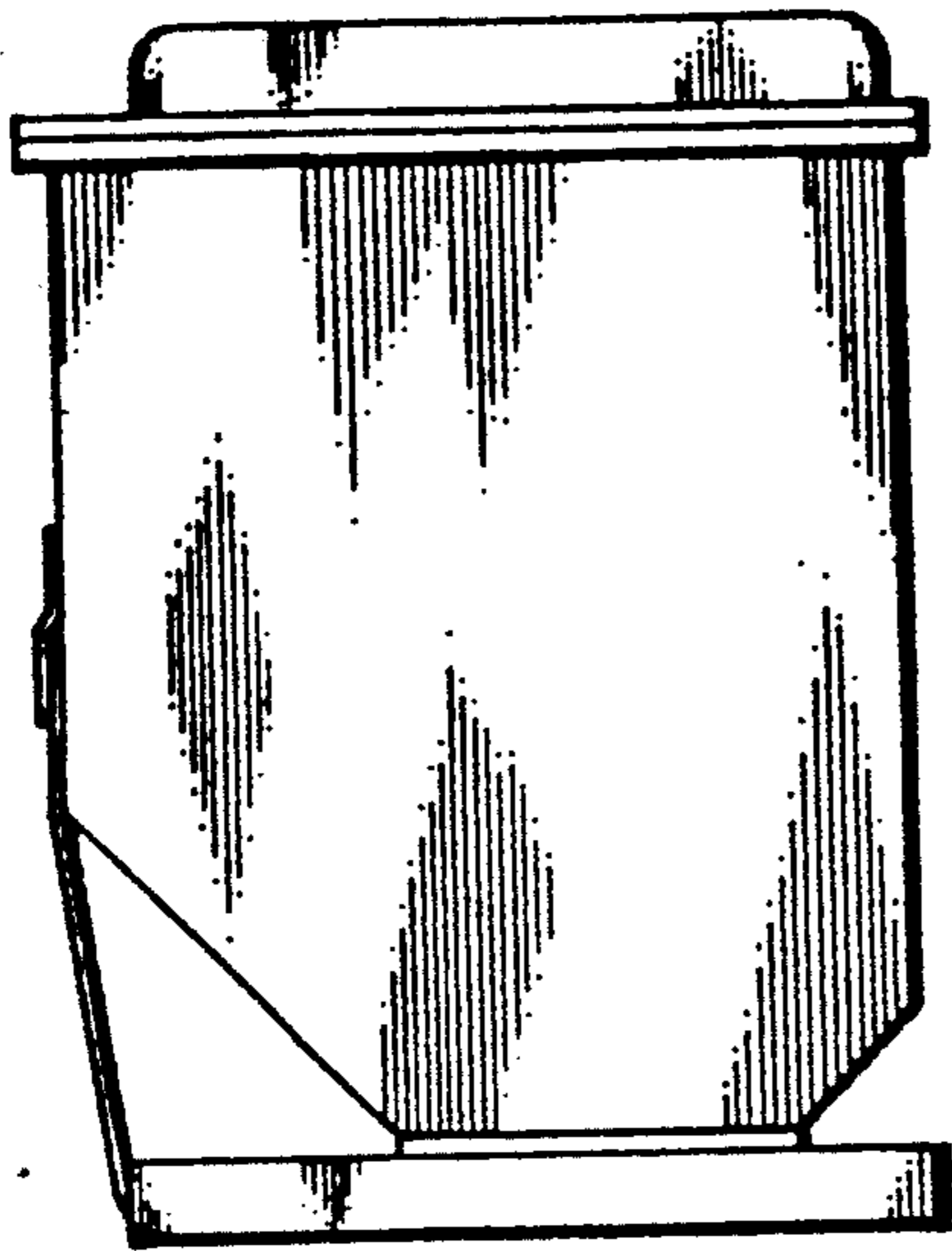


FIG. 13

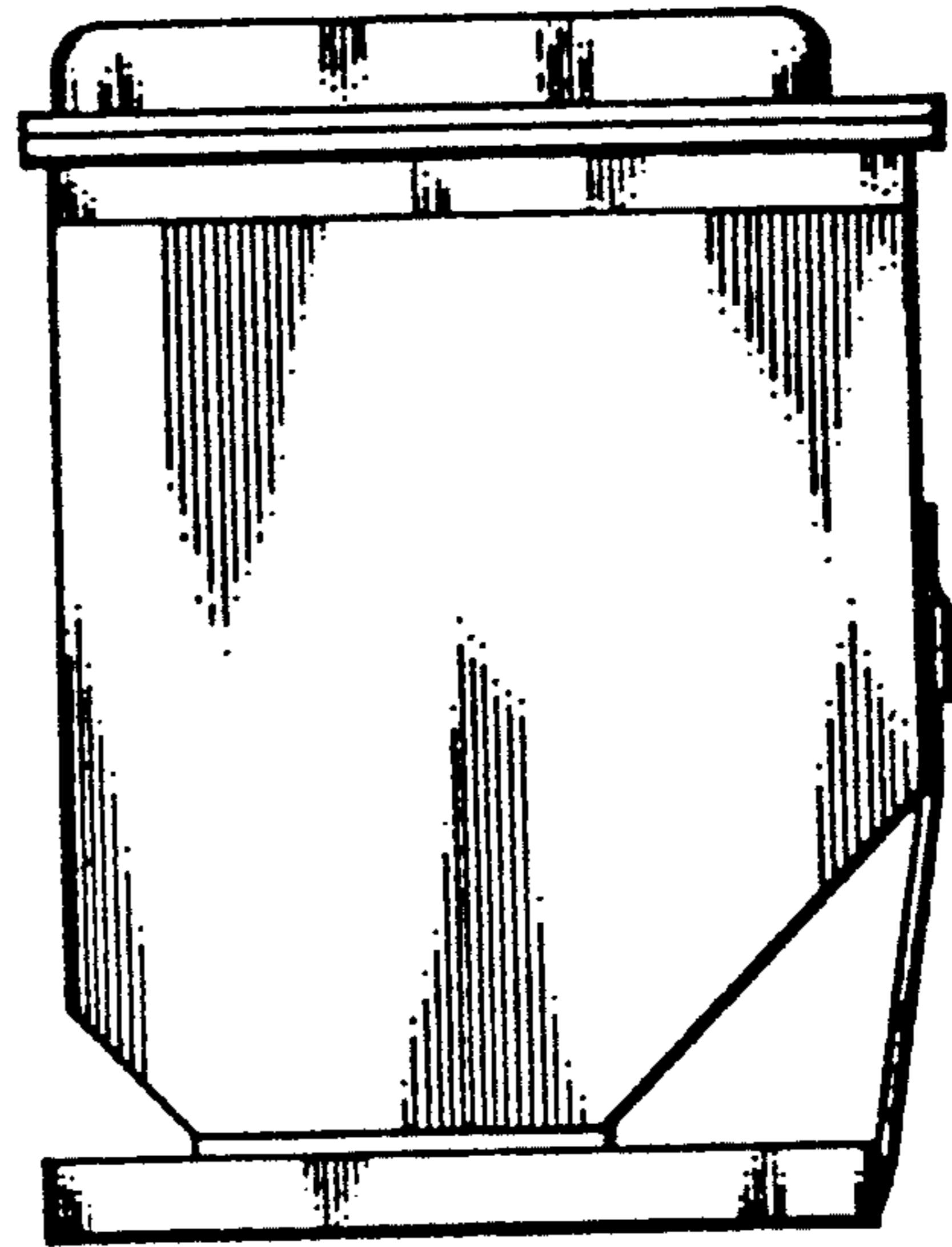


FIG. 14

