



US00D346816S

United States Patent [19]

[11] Patent Number: Des. 346,816

Kline et al.

[45] Date of Patent: ** May 10, 1994

- [54] **COMBINED ARMRESTS AND MICROSCOPE STAND**
- [75] Inventors: **Richard C. Kline**, Loveland, Colo.;
James R. McCaleb, El Paso, Tex.
- [73] Assignee: **Scopease, Inc.**, El Paso, Tex.
- [**] Term: **14 Years**
- [21] Appl. No.: **861,502**
- [22] Filed: **Mar. 31, 1992**
- [52] U.S. Cl. **D16/131; 248/918; 248/118**
- [58] **Field of Search** 248/918, 118, 346, 105,
248/300, 664; 132/73; 400/715; 359/368, 376,
377, 381, 388, 385, 390, 393; D16/136, 130-131;
D14/114, 142

5,104,087 4/1992 Wentzloff et al. 248/918

FOREIGN PATENT DOCUMENTS

1119916 7/1968 United Kingdom 248/105

OTHER PUBLICATIONS

Tasco Sales, Inc. brochure; 1968; p. 16 #936 Zoom Stereo with large dioscopic base.
 Montgomery Ward 1963 toy yearbook catalog; p. 302; item #5 Betsy McCall Fashion Designer Electric Desk.
 Sears Toy Catalog; 1974; p. 576; Toy Ramps; #5-49N54797.
 VWR Scientific 1989/90 catalog; p. 955; B&L Stereo Zoom Microscope.

Primary Examiner—Cathy Anne MacCormac
Attorney, Agent, or Firm—William E. Hein

[56] **References Cited**
U.S. PATENT DOCUMENTS

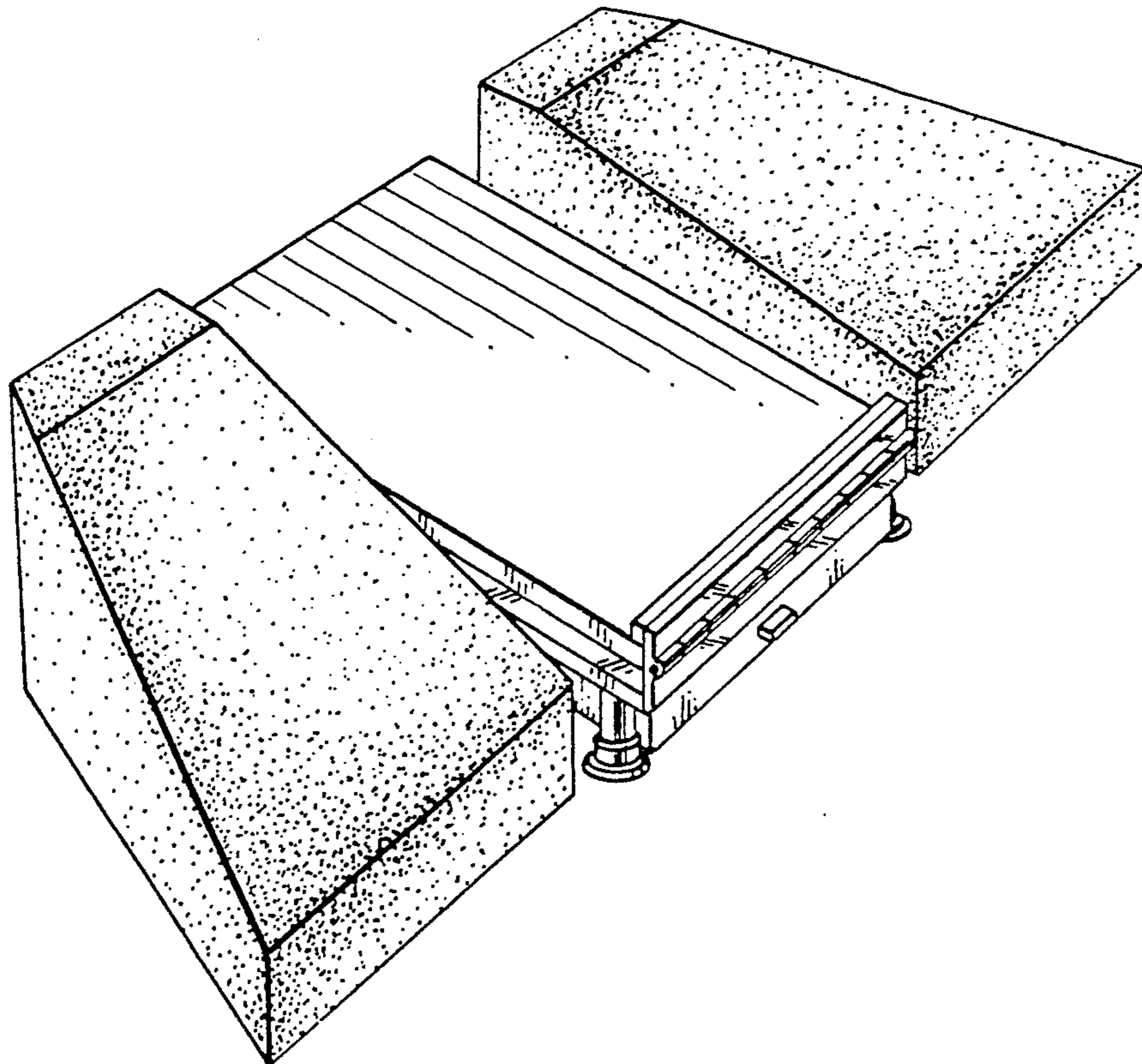
D. 235,478	6/1975	Armbruster	D16/131
D. 252,276	7/1979	Giffish	D16/131
D. 253,059	10/1979	Speaker	D16/131
D. 290,129	6/1987	Kahute	D16/131
D. 291,702	9/1987	Kahute	D16/131
D. 326,649	6/1992	Soffe et al.	D14/142
3,584,818	6/1971	Essman	248/105
3,885,762	5/1975	Sebastiani	248/346
4,044,980	8/1977	Cummins	248/664
5,072,905	12/1991	Hyatt	248/118

[57] **CLAIM**

The ornamental design for a combined armrests and microscope stand, as shown and described.

DESCRIPTION

FIG. 1 is a left front isometric view of a combined armrests and microscope stand, showing our new design;
 FIG. 2 is a front elevation view;
 FIG. 3 is a left side view, the right side view being a mirror image thereof;
 FIG. 4 is a top view; and,
 FIG. 5 is a rear elevation view.



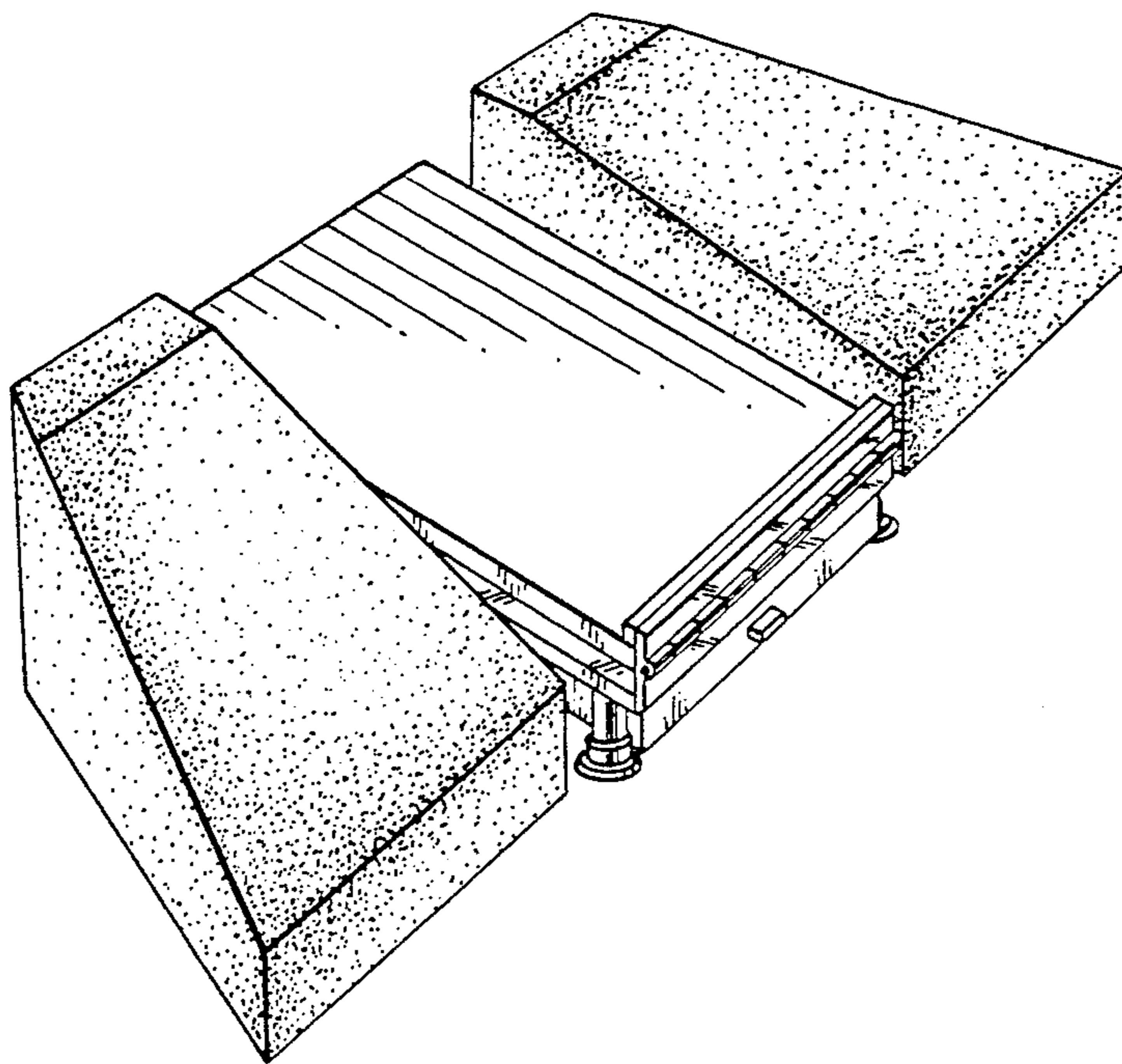


FIG. 1

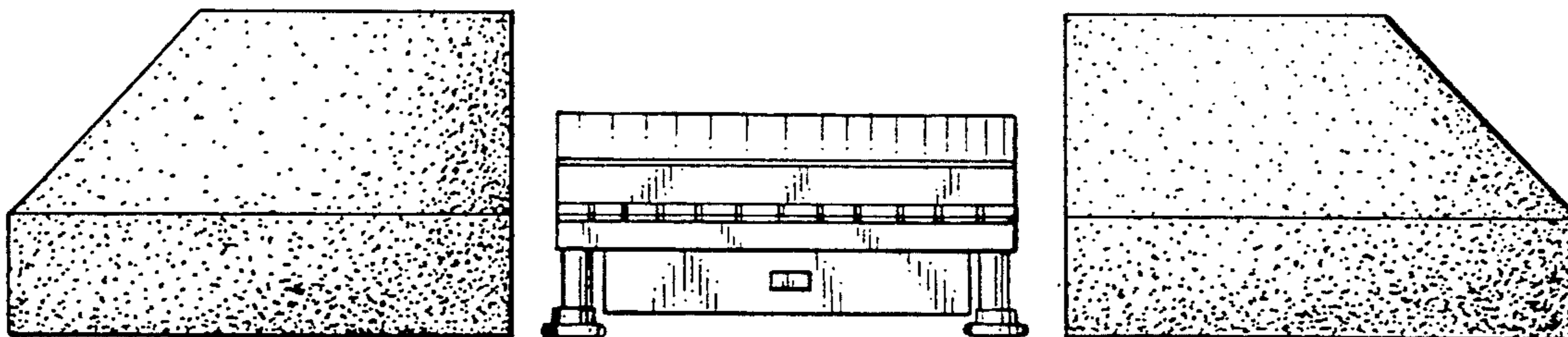


FIG. 2

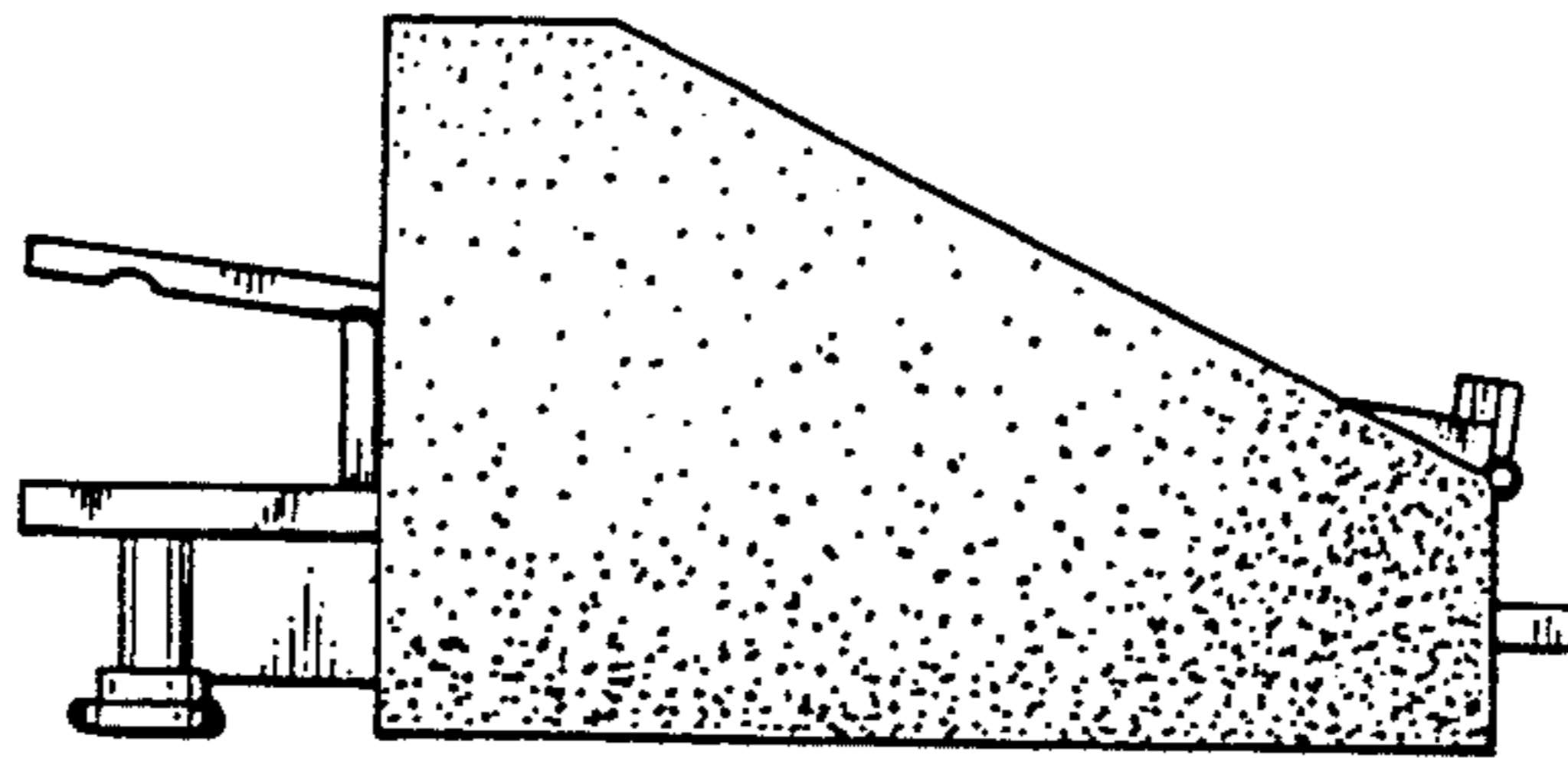


FIG. 3

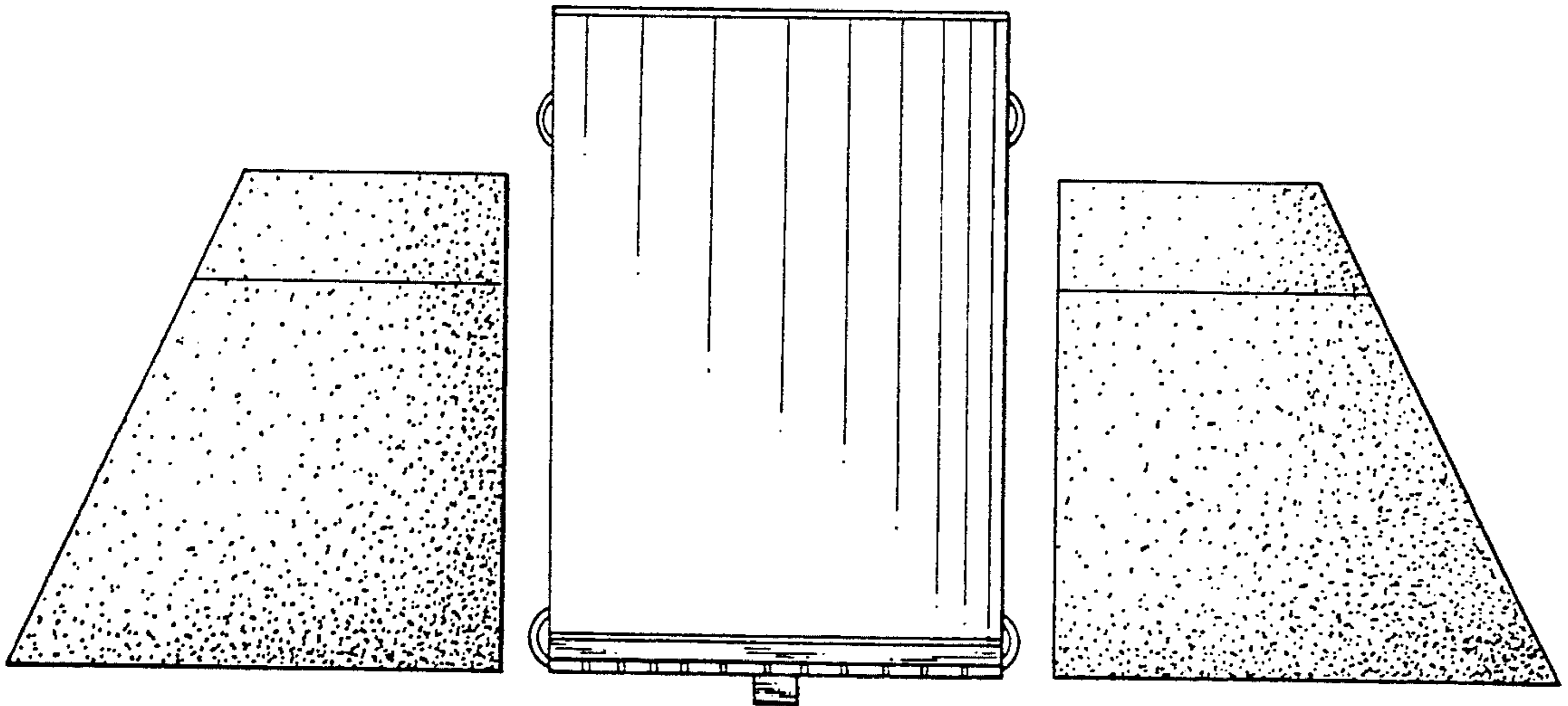


FIG. 4

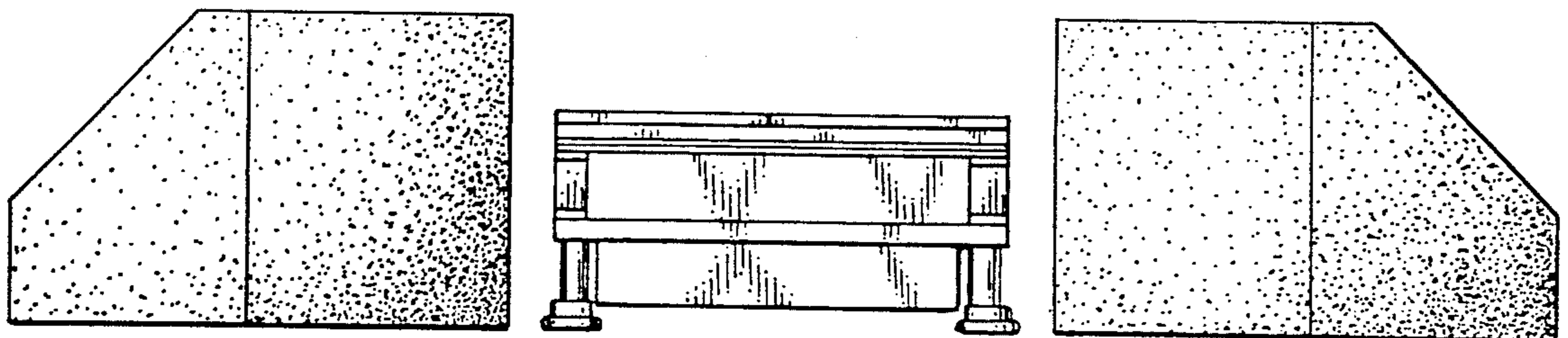


FIG. 5