



US00D346812S

United States Patent [19]

[11] Patent Number: **Des. 346,812**

Lüzlbauer

[45] Date of Patent: **** May 10, 1994**

[54] **EYEGLASSES**

[75] Inventor: **Adolf Lüzlbauer, Munich, Fed. Rep. of Germany**

[73] Assignee: **Optyl Eyewear Fashion International, Norwood, N.J.**

[**] Term: **14 Years**

[21] Appl. No.: **1,834**

[22] Filed: **Nov. 20, 1992**

[30] **Foreign Application Priority Data**

May 22, 1992 [DE] Fed. Rep. of Germany 9203824

[52] U.S. Cl. **D16/102**

[58] Field of Search 351/44, 51, 87-88, 351/103, 105, 111, 114, 116, 119, 122-123, 138; 2/439, 449, 452; D16/102, 107, 111-119, 121, 127; D29/8, 9

[56] **References Cited**

U.S. PATENT DOCUMENTS

D. 114,800	5/1939	Simon	D16/111
D. 125,766	3/1941	Haag	D16/111
D. 217,393	4/1970	Simon	D16/118
D. 235,164	5/1975	Shindler	D16/127
D. 245,169	7/1977	Teufelhart	D16/118
D. 273,684	5/1984	Dianitsch	D16/102
D. 274,437	6/1984	Dianitsch	D16/110
D. 274,531	7/1984	Dianitsch	D16/115
D. 274,532	7/1984	Dianitsch	D16/115
D. 274,533	7/1984	Dianitsch	D16/115
D. 276,917	12/1984	Meyerspeer	D16/102
D. 282,372	1/1986	Blaimschein	D16/102
D. 285,697	9/1986	Fraser et al.	D16/116
D. 291,808	9/1987	Meyerspeer	D16/102
D. 295,052	4/1988	Matthias	D16/118

D. 296,563	7/1988	Matthias	D16/117
D. 306,035	2/1990	Matthias	D15/112
D. 307,756	5/1990	Porsche	D16/108
D. 308,065	5/1990	Haas	D16/127
D. 311,011	10/1990	Porsche	D16/102
4,176,921	12/1979	Matthias	351/106
4,317,240	3/1982	Angerman et al.	2/436
4,523,819	6/1985	Dianitsch et al.	351/106
4,549,792	10/1985	Dianitsch	351/63
4,822,158	4/1989	Porsche	351/57
4,834,523	5/1989	Porsche	351/57
4,902,119	2/1990	Porsche	351/137
4,924,245	5/1990	Dianitsch	351/136
4,955,706	9/1990	Schmidthaler et al.	351/41
5,048,944	9/1991	Porsche	351/57

OTHER PUBLICATIONS

Supplement to the Optician Jan. 8, 1974 "Silver Queen".

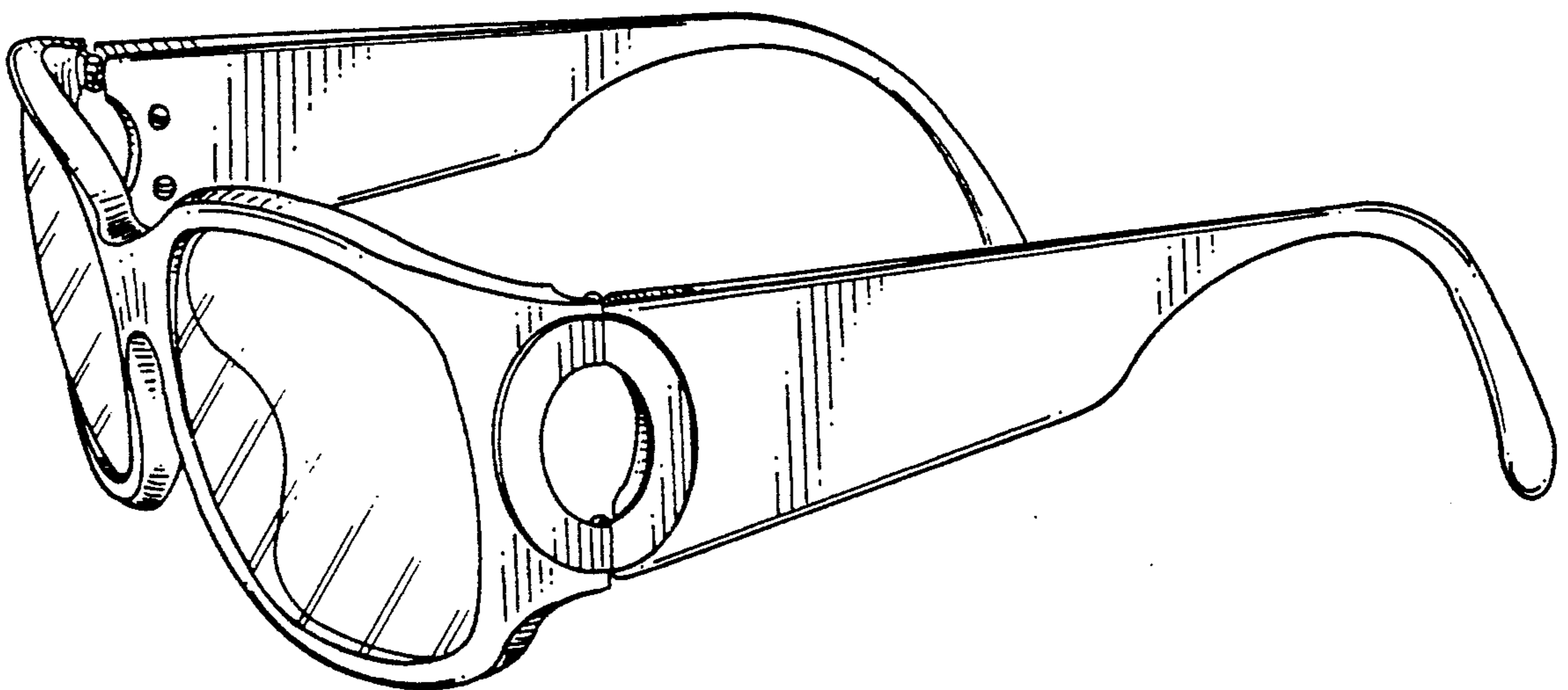
Primary Examiner—Bernard Ansher
Assistant Examiner—R. Barkai
Attorney, Agent, or Firm—Fitch, Even, Tabin & Flannery

[57] **CLAIM**

The ornamental design for eyeglasses, as shown and described.

DESCRIPTION

FIG. 1 is a perspective view thereof;
FIG. 2 is a side elevational view from the right thereof, the side elevational view from the left being a mirror image;
FIG. 3 is a top plan view thereof;
FIG. 4 is a front view elevational view thereof;
FIG. 5 is a back view thereof; and,
FIG. 6 is a bottom plan view thereof.



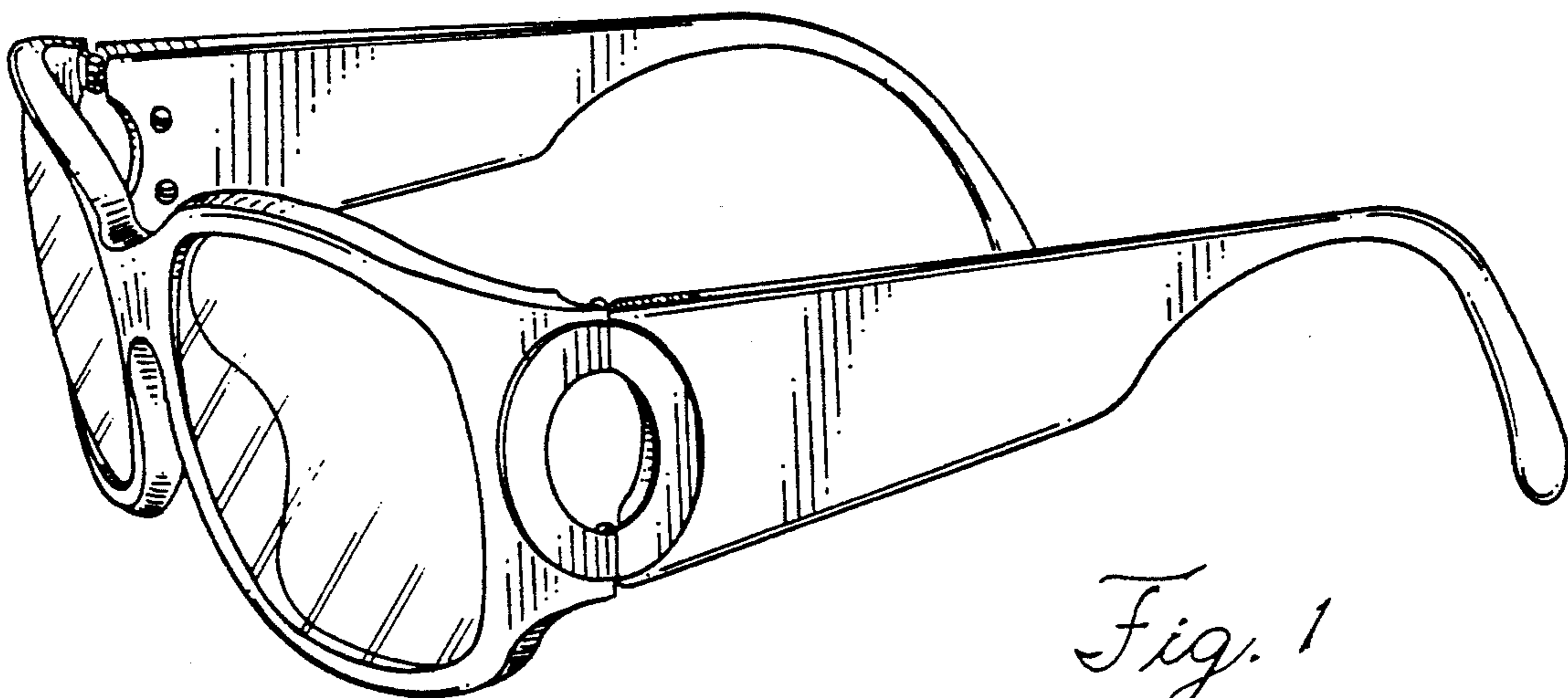


Fig. 1



Fig. 2

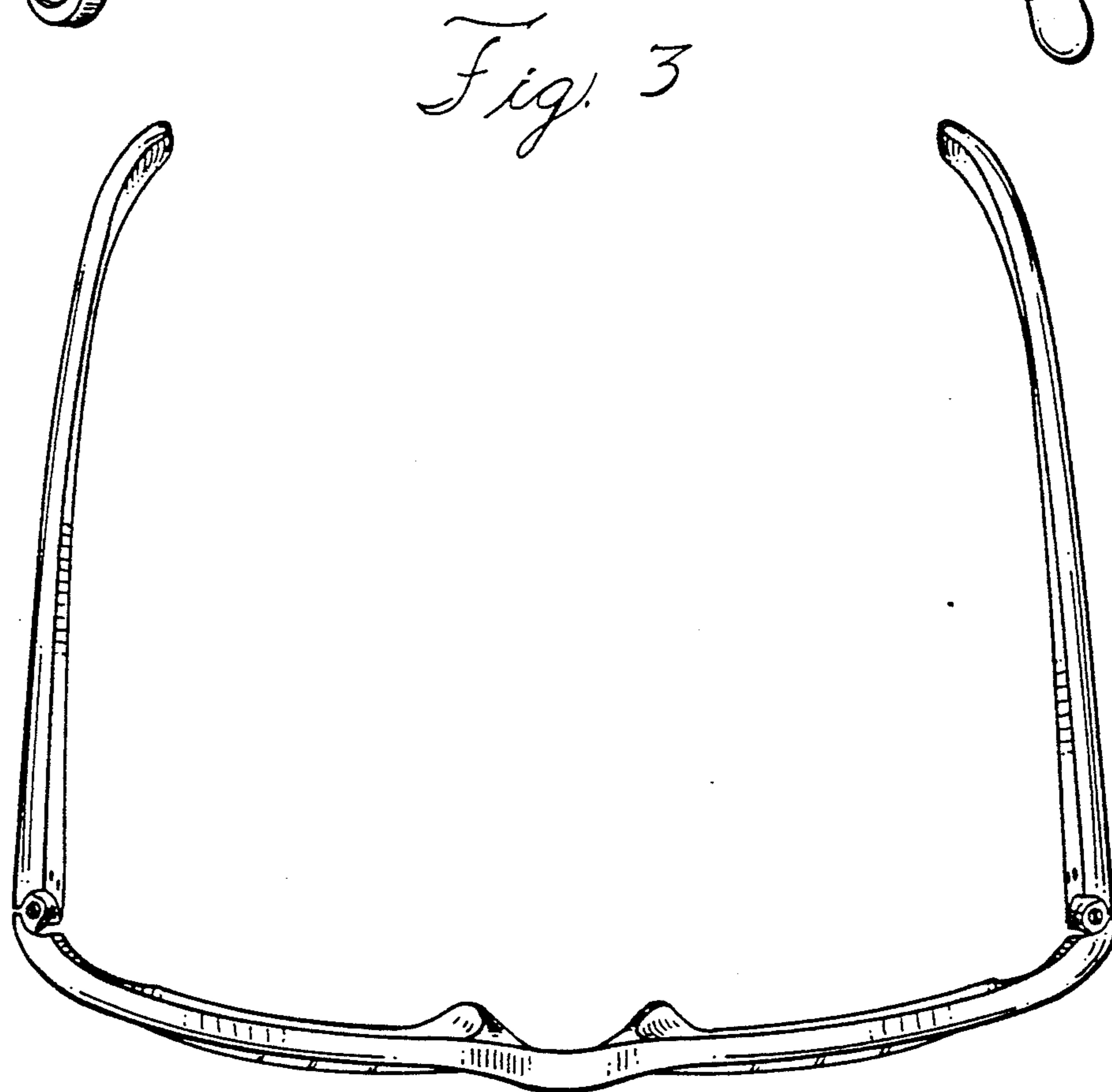


Fig. 3

Fig. 4

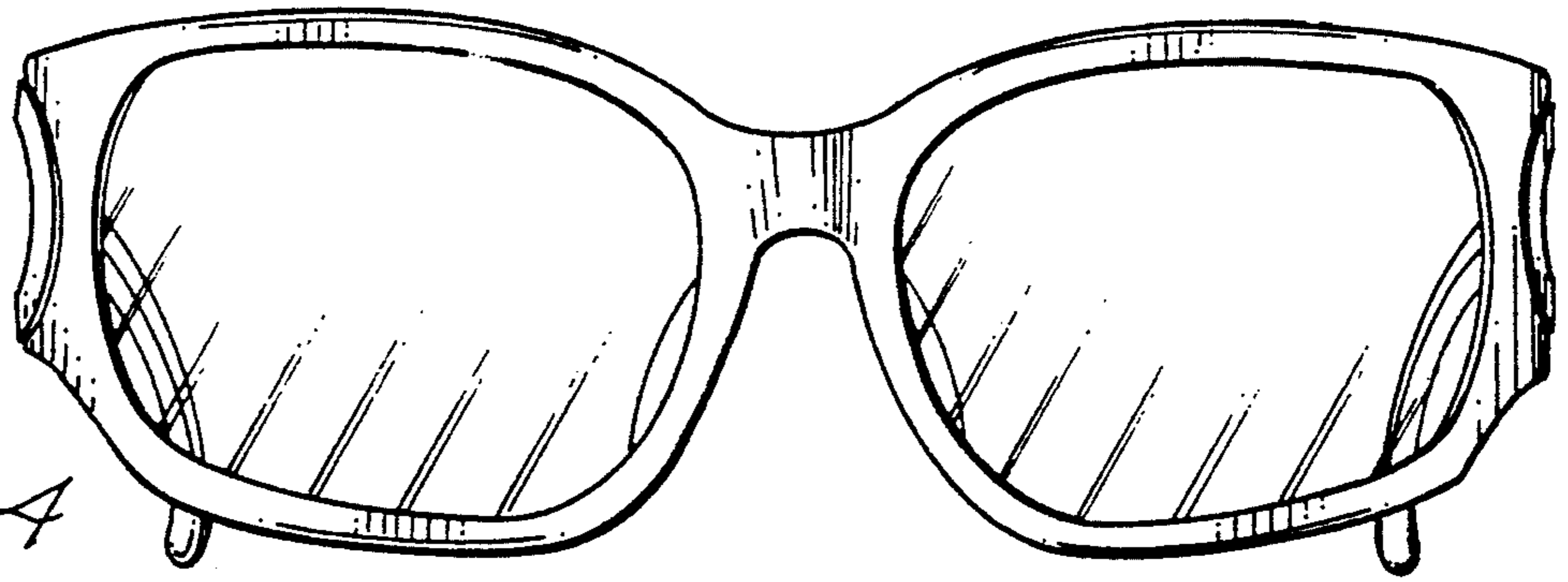


Fig. 5

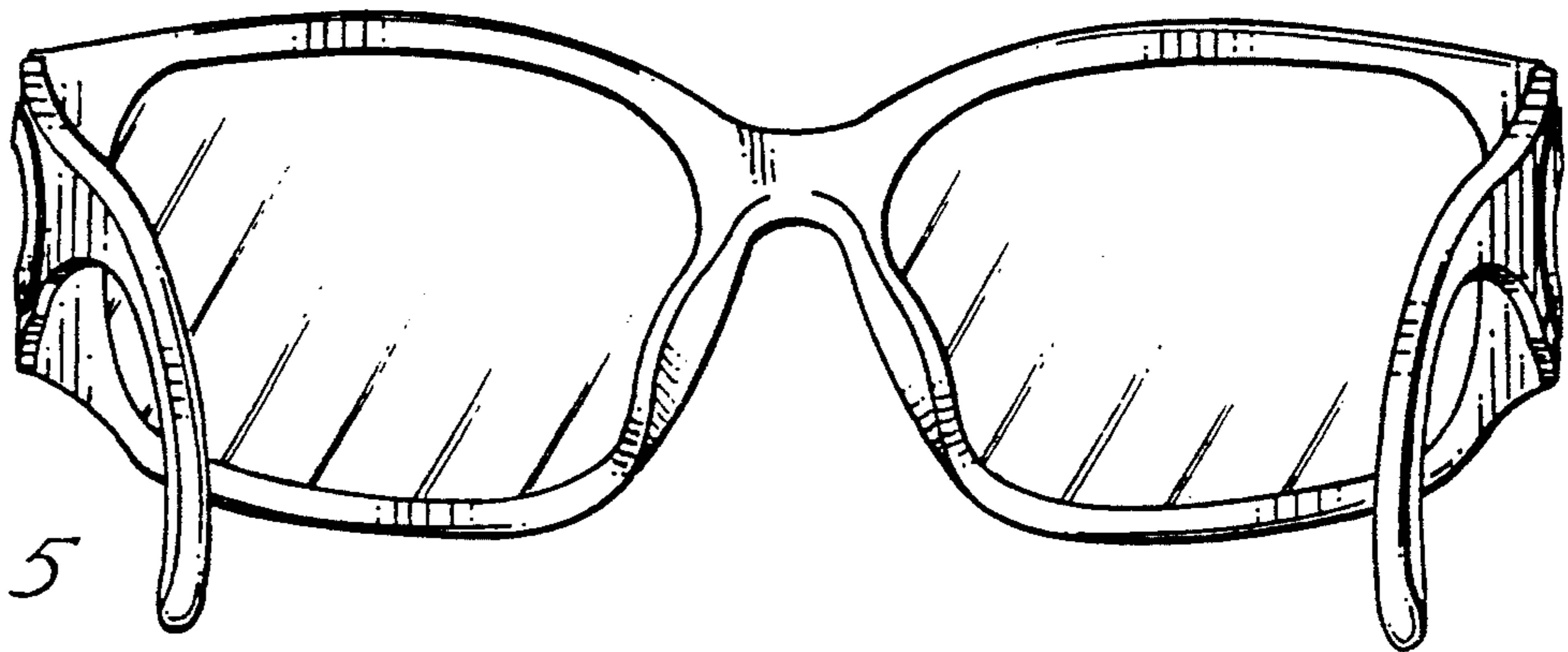


Fig. 6

