



US00D346810S

United States Patent [19]

[11] Patent Number: **Des. 346,810**

Schulz et al.

[45] Date of Patent: **** May 10, 1994**

[54] **LAWN MOWER**

[75] Inventors: **Howard C. Schulz; Gerard Gilliland,**
both of Victoria, Australia

[73] Assignee: **Black & Decker Inc., Newark, Del.**

[**] Term: **14 Years**

[21] Appl. No.: **929,636**

[22] Filed: **Aug. 12, 1992**

[30] **Foreign Application Priority Data**

Feb. 12, 1992 [AU] Australia 314/92

[52] U.S. Cl. **D15/14**

[58] Field of Search 56/13.4, 13.7, 16.7,
56/17.5, 202, 255, 294, 320.1, 320.2;
D15/14-18

[56] **References Cited**

U.S. PATENT DOCUMENTS

- D. 249,519 9/1978 Haffner et al. D15/14
- D. 294,031 2/1988 Hosonuma D15/14
- D. 309,310 7/1990 Fushiya et al. .
- D. 330,210 10/1992 Sirois et al. .
- D. 333,309 2/1993 Hess et al. .

- 4,051,648 10/1977 Uhlinger et al. .
- 4,194,345 3/1980 Pioch et al. .
- 4,711,077 12/1987 Kutsukake et al. 56/320.2
- 4,897,988 2/1990 Schweitz et al. 56/320.2
- 5,101,617 4/1992 Hare et al. 56/320.1

OTHER PUBLICATIONS

Article: AMF, Popular Mechanics (Mar. 1977), p. 118
by M. Schultz p. 24 of 1989 Sears Catalog.

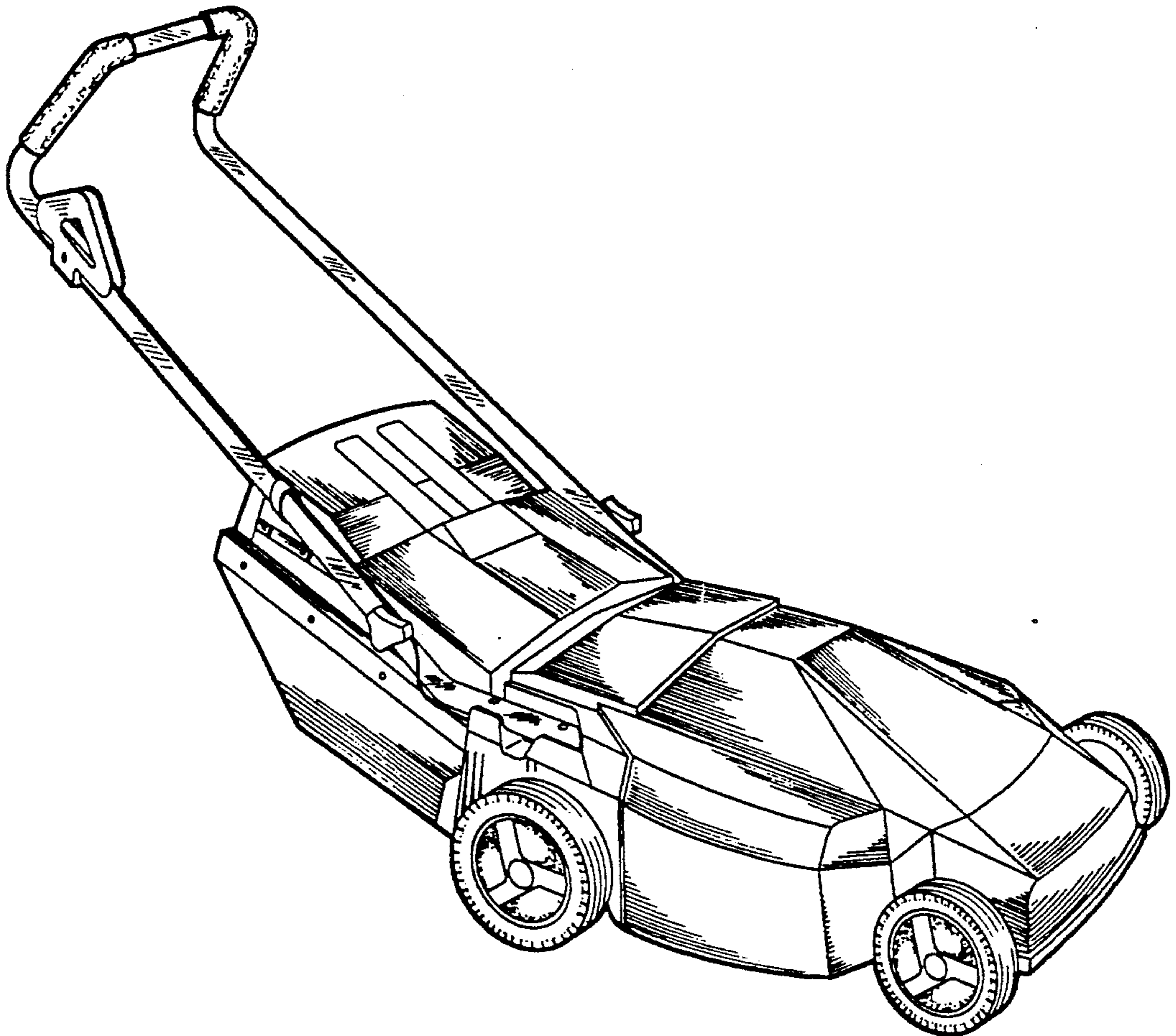
Primary Examiner—Bernard Ansher
Assistant Examiner—Sandra Morris
Attorney, Agent, or Firm—Charles E. Yocum; Dennis A.
Dearing; John D. Del Ponti

[57] **CLAIM**

The ornamental design for a lawn mower, as shown.

DESCRIPTION

FIG. 1 is a right side elevational view of a lawn mower,
showing my new design;
FIG. 2 is a left side elevational view thereof;
FIG. 3 is a front elevational view thereof;
FIG. 4 is a rear elevational view thereof;
FIG. 5 is a top plan view thereof; and,
FIG. 6 is a left front perspective view thereof.



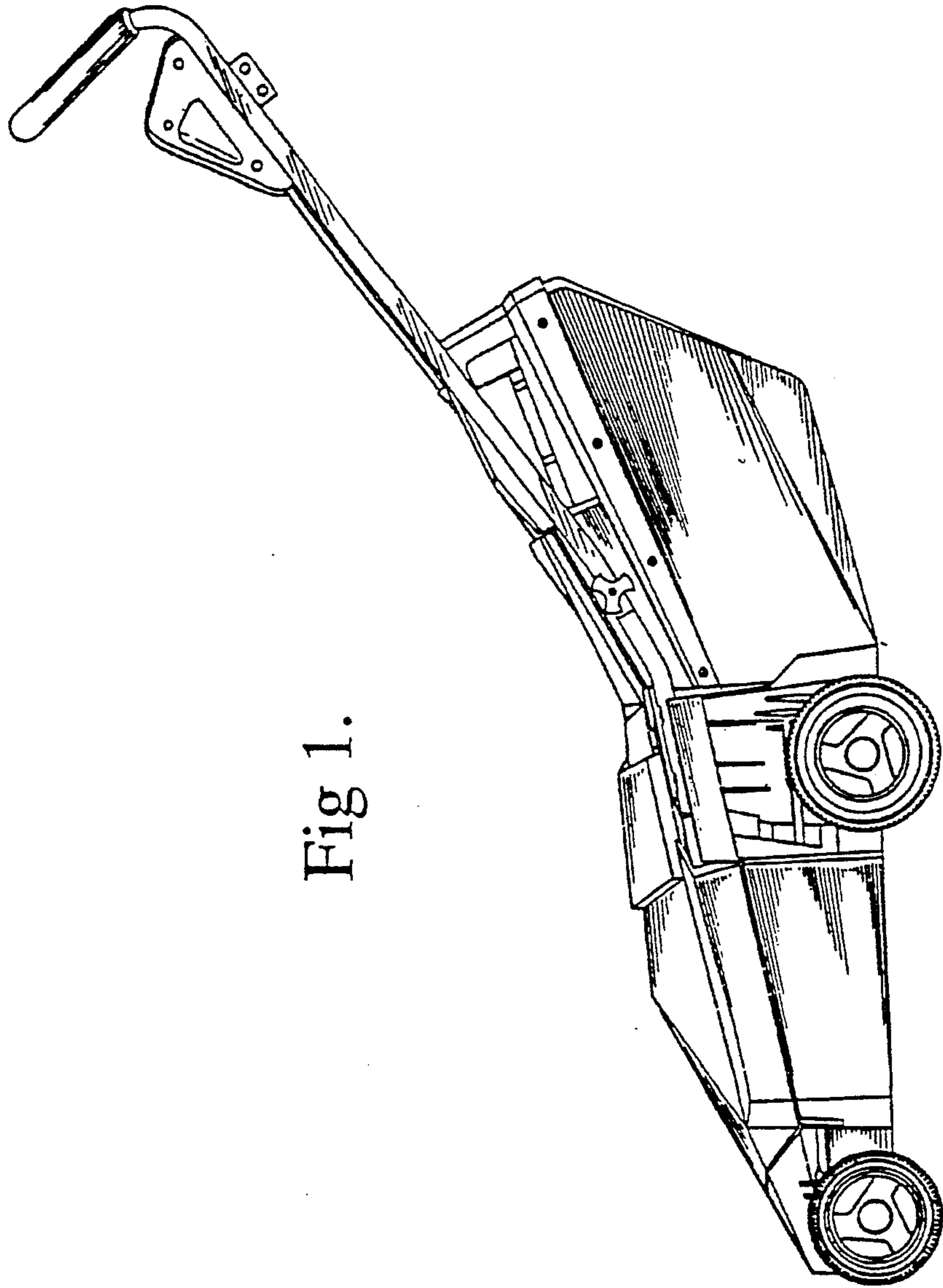


Fig 1.

Fig 2.

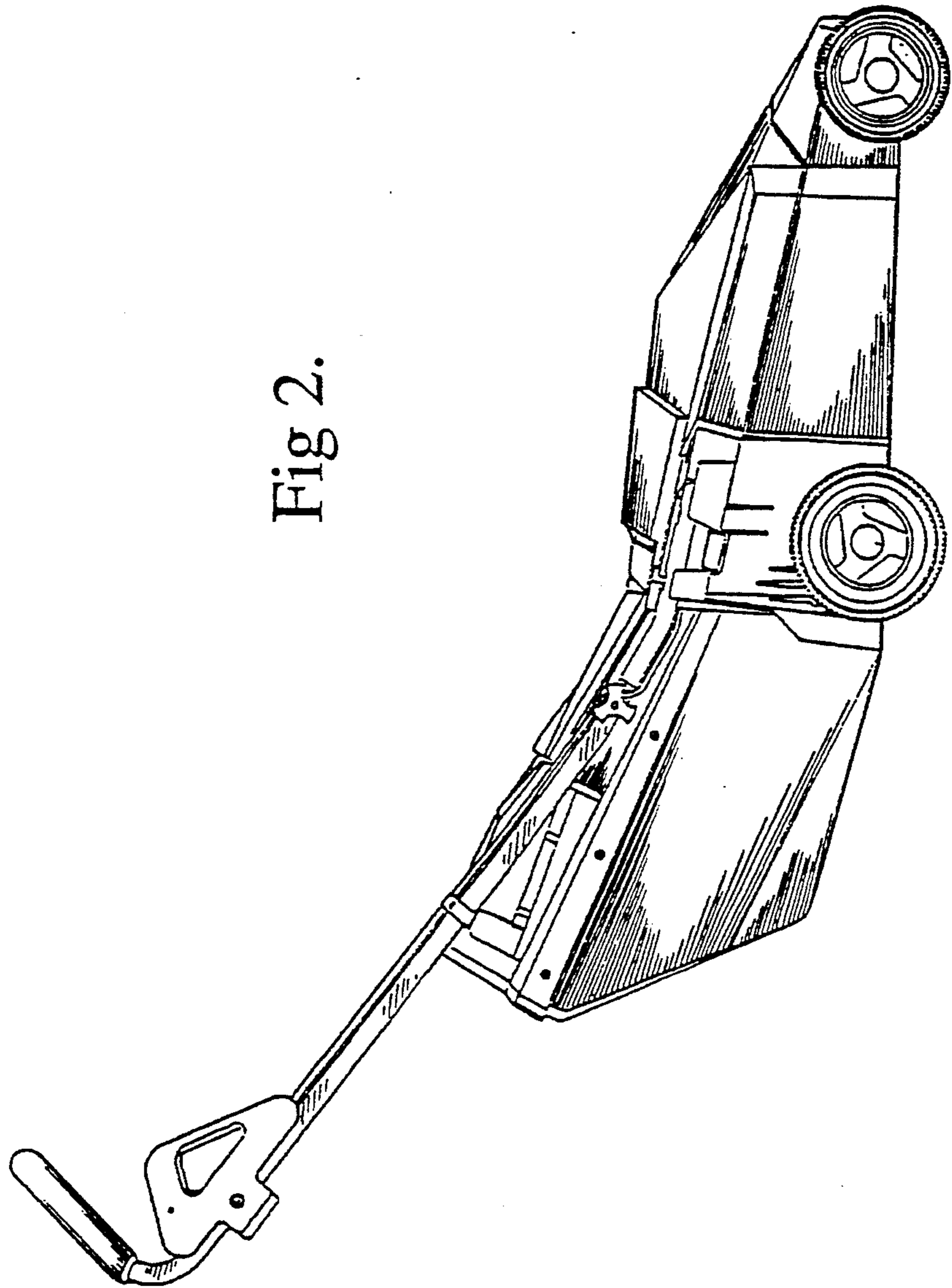


Fig 4.

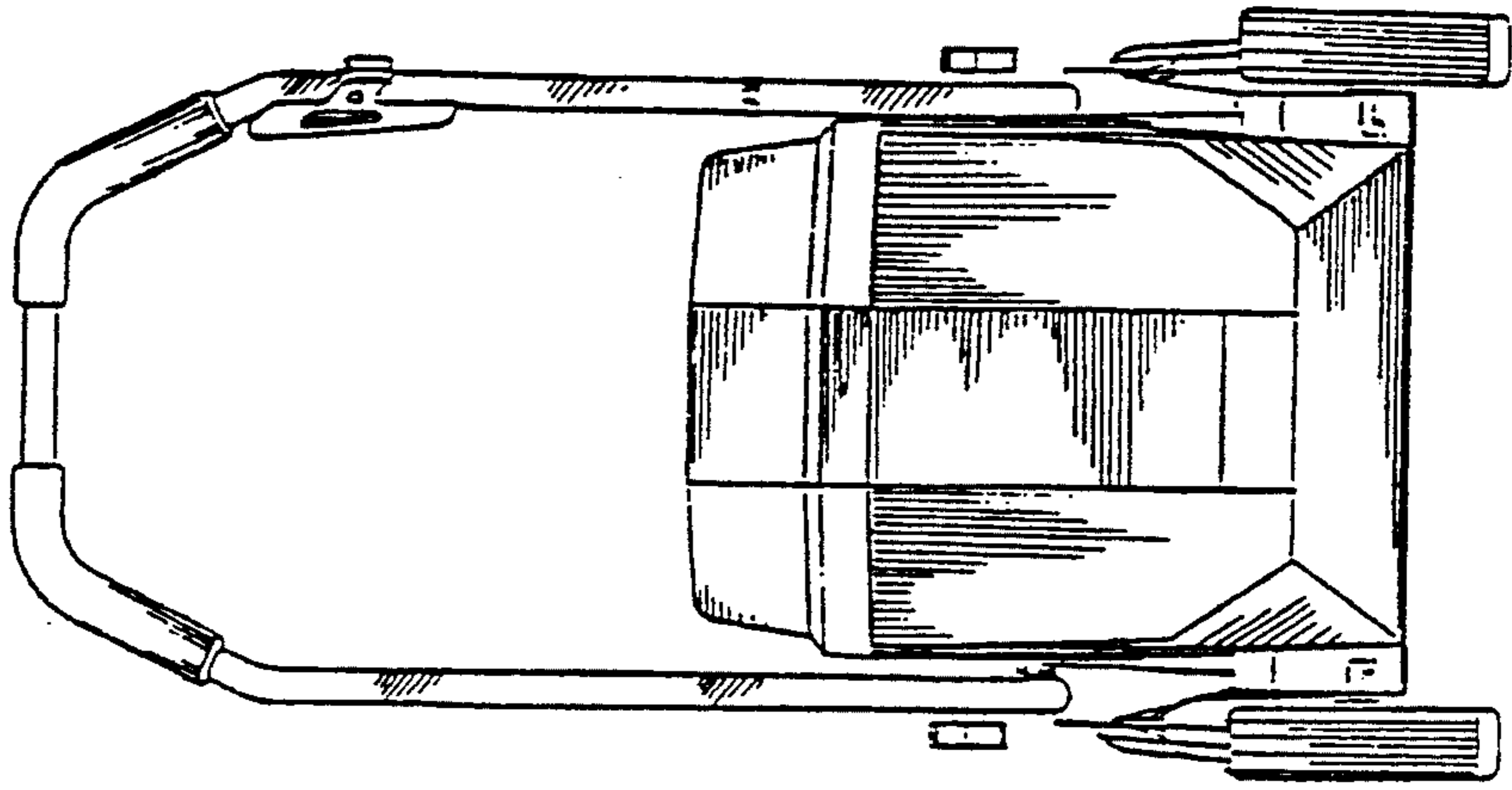


Fig 3.

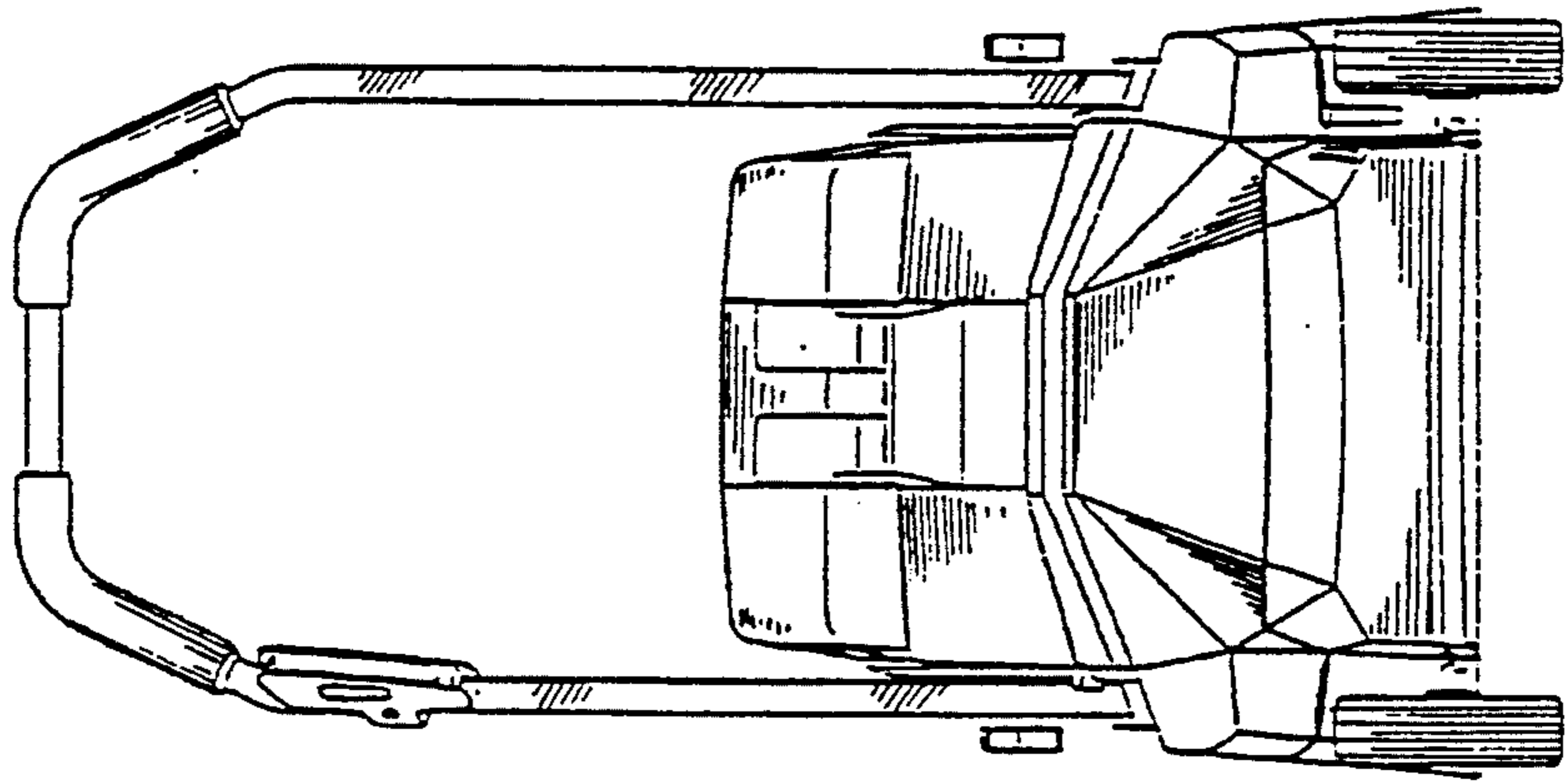


Fig 5.

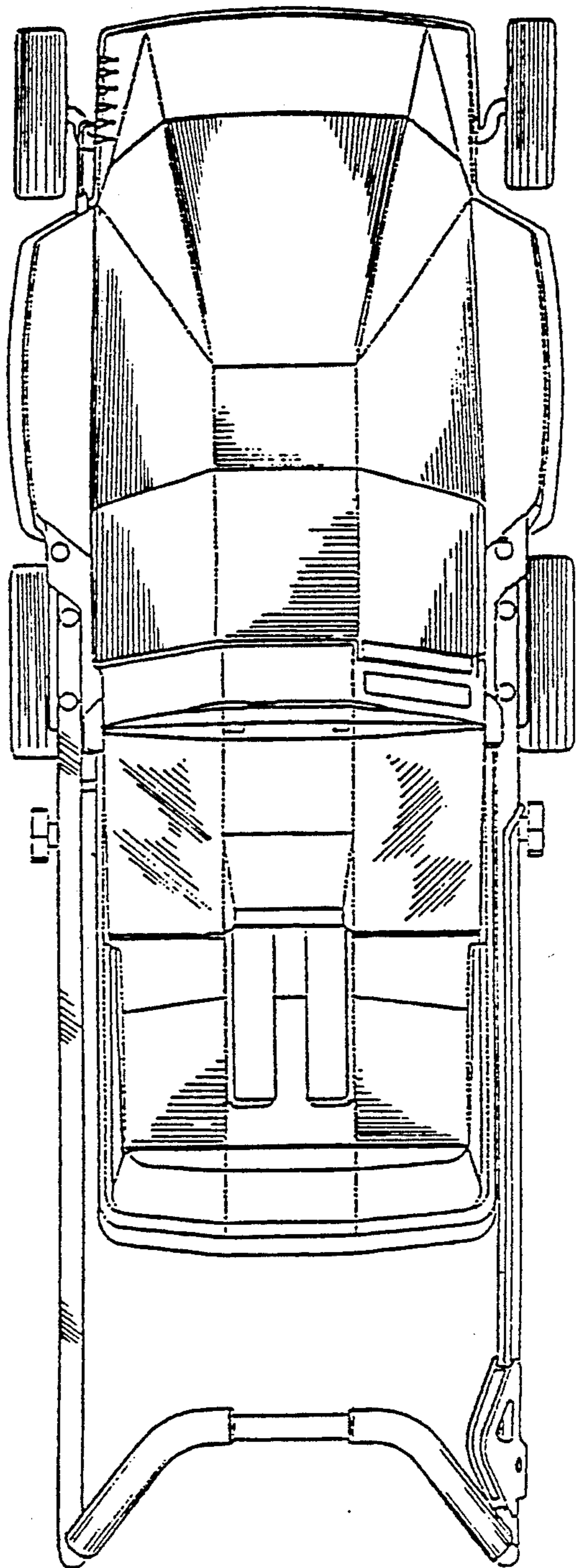


Fig 6.

