



US00D346809S

United States Patent [19]

[11] Patent Number: **Des. 346,809**

Burgos et al.

[45] Date of Patent: **** May 10, 1994**

[54] **REMOTE CONTROLLED LAWN MOWER**

[76] Inventors: **Daniel Burgos; Denise Wilson**, both of 37 Hilltop Rd., New Haven, Conn. 06515

[**] Term: **14 Years**

[21] Appl. No.: **873,060**

[22] Filed: **Apr. 24, 1992**

[52] U.S. Cl. **D15/14**

[58] Field of Search 56/13.4, 16.7, 17.5, 56/202, 256, 294, 320.1, 320.2, DIG. 7; D15/14-18

4,964,265 10/1990 Young 56/DIG. 7
 5,007,234 4/1991 Shurman et al. 56/16.7
 5,042,241 8/1991 Boylston 56/16.6

Primary Examiner—Bernard Ansher
Assistant Examiner—Sandra Morris
Attorney, Agent, or Firm—Terry M. Gernstein

[57] CLAIM

The ornamental design for a remote controlled lawn mower, as shown and described.

DESCRIPTION

FIG. 1 is a perspective view of the remote controlled lawn mower embodying the design of the present invention;

FIG. 2 is a side elevational view thereof;

FIG. 3 is a front end elevational view thereof;

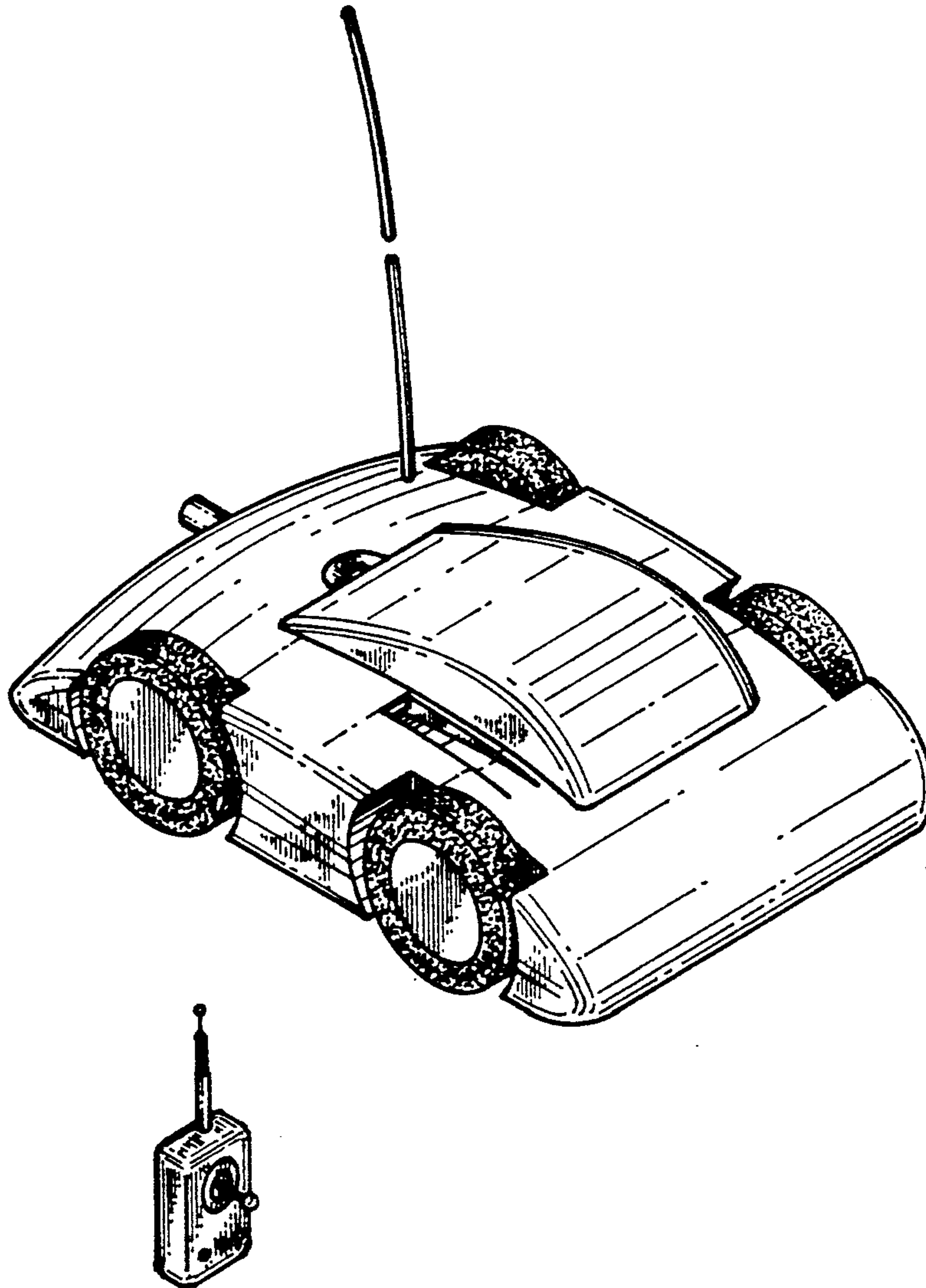
FIG. 4 is a rear end elevational view thereof;

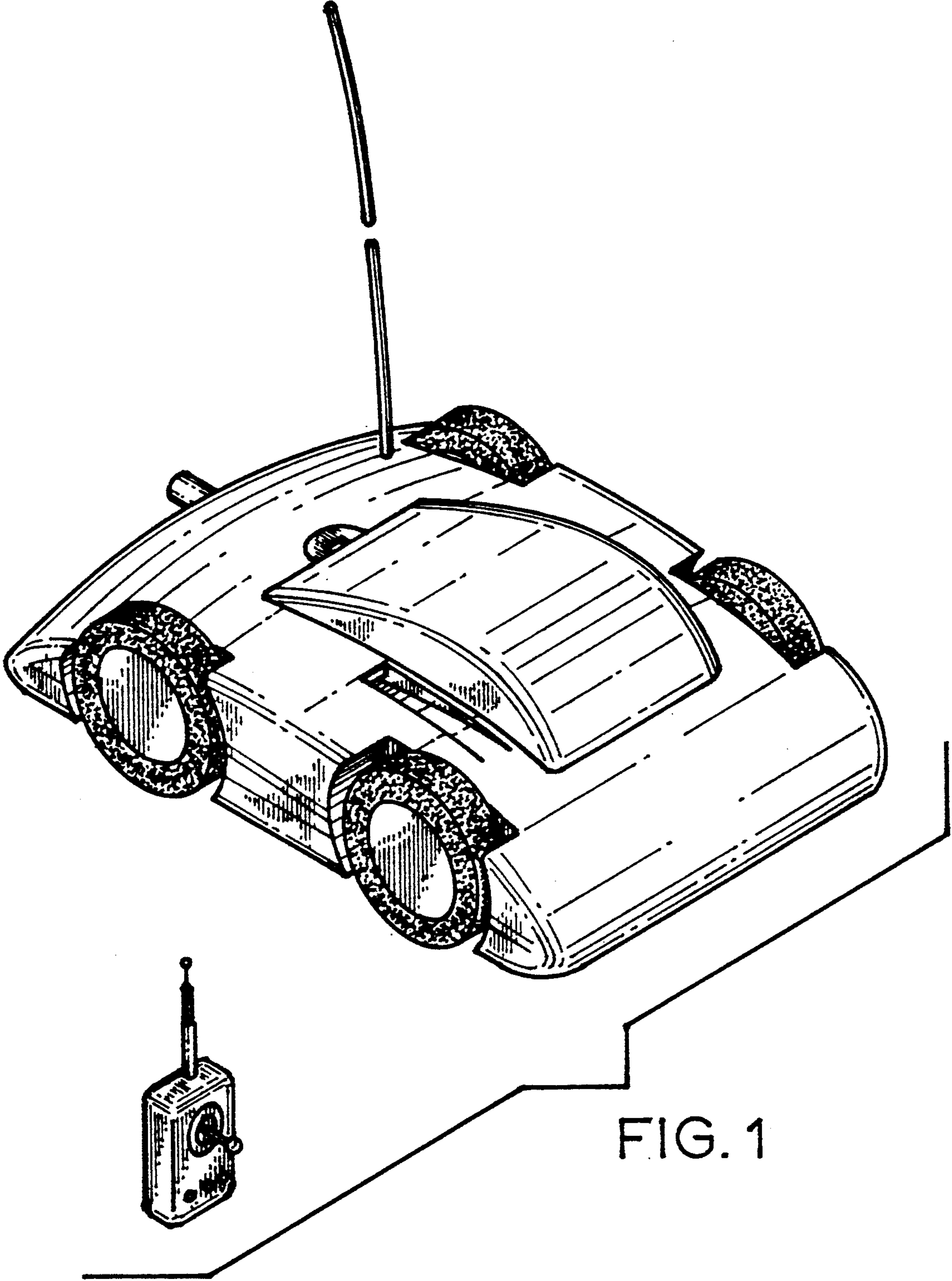
FIG. 5 is a top plan view thereof; and,

FIG. 6 is a bottom view thereof.

[56] **References Cited**
U.S. PATENT DOCUMENTS

D. 215,013 8/1969 Holm D15/14
 4,843,805 7/1989 Satoh 56/16.6
 4,907,403 3/1990 Jones 56/16.6





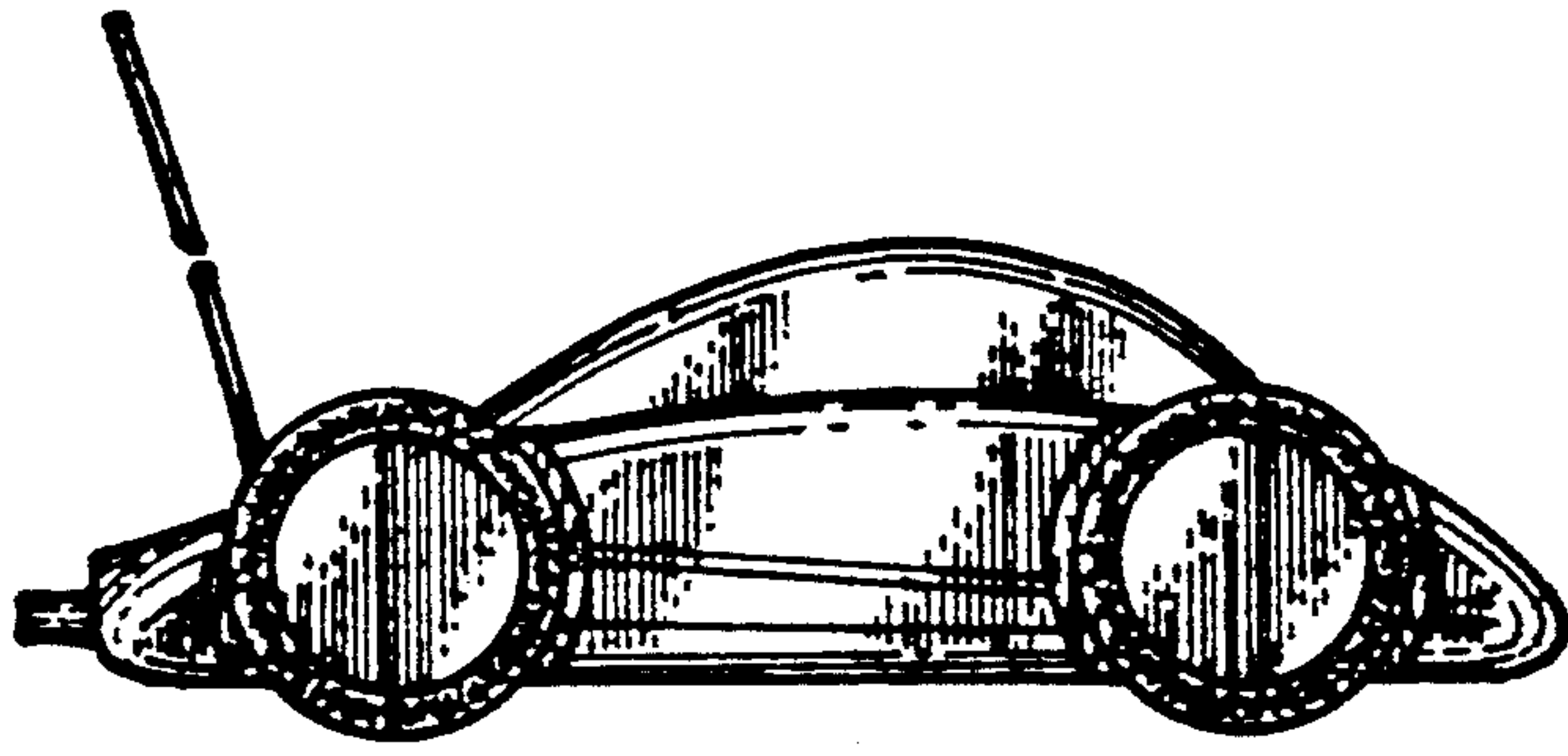


FIG. 2

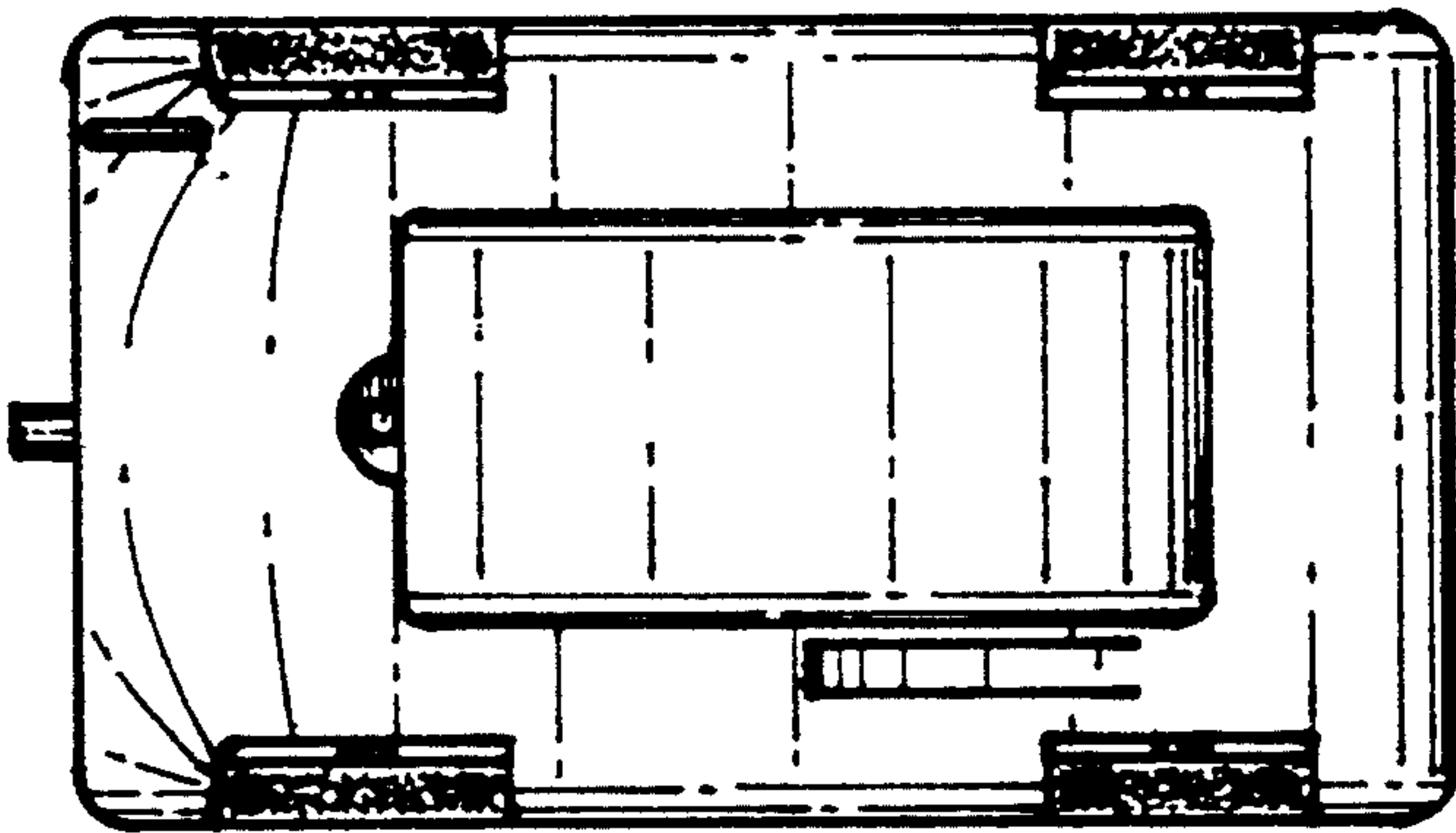


FIG. 5

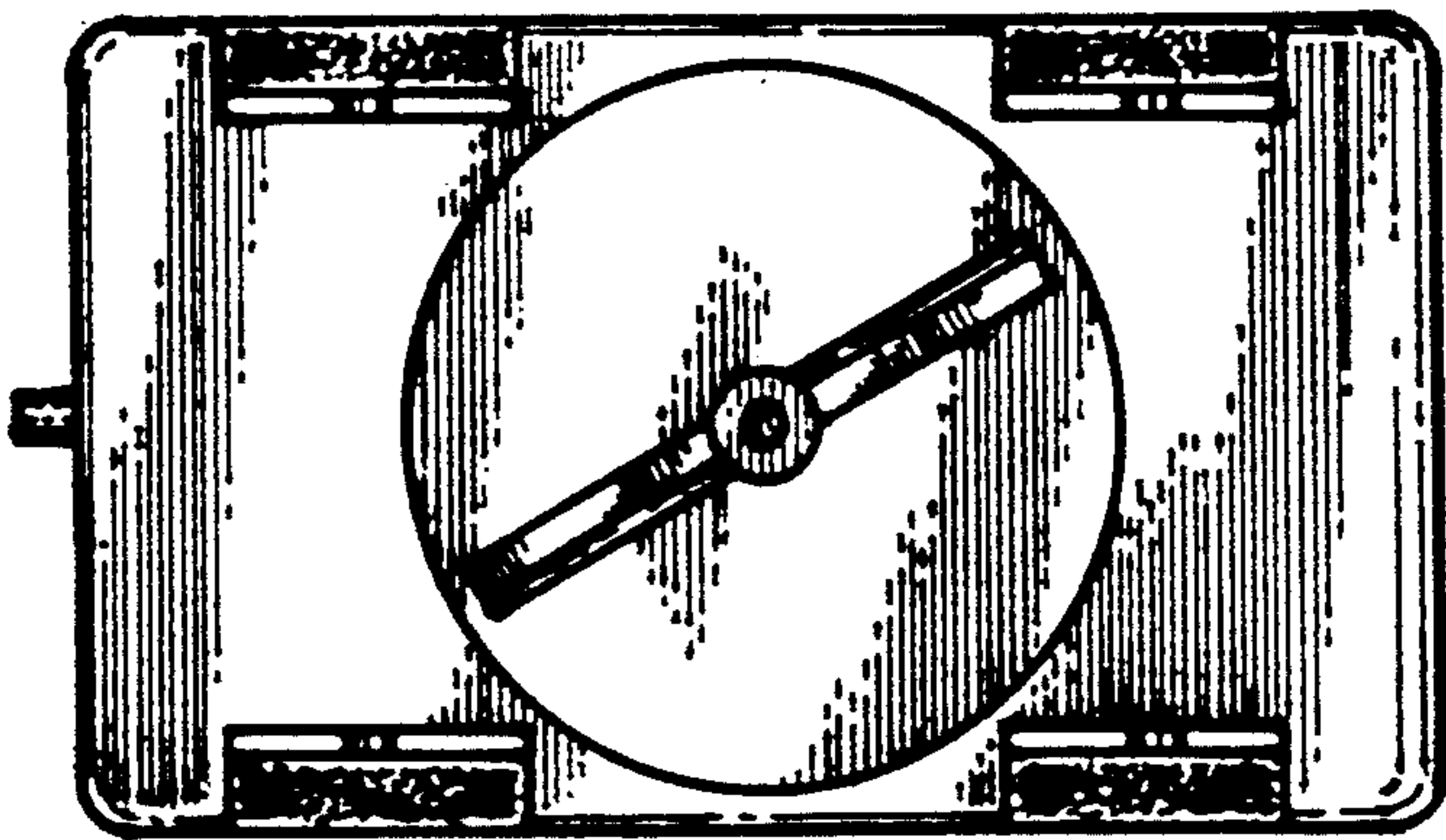


FIG. 6

