



US00D346808S

United States Patent [19]

[11] Patent Number: **Des. 346,808**

Inoue et al.

[45] Date of Patent: **** May 10, 1994**

[54] MAGNETIC HEAD CARRIAGE

[75] Inventors: **Kazuhiko Inoue; Hidetoshi Kabasawa; Fumio Nagase**, all of Tokyo, Japan

[73] Assignee: **Teac Corporation**, Tokyo, Japan

[**] Term: **14 Years**

[21] Appl. No.: **789,155**

[22] Filed: **Nov. 6, 1991**

[30] Foreign Application Priority Data

May 8, 1991 [JP] Japan 1-13198

[52] U.S. Cl. **D14/114; D14/299**

[58] Field of Search 360/81-86, 360/102, 103, 119-123, 133-136; D14/114, 299, 109, 114, 217, 222

[56] References Cited

U.S. PATENT DOCUMENTS

4,835,642 5/1989 Furukawa et al. 360/140 X

OTHER PUBLICATIONS

"Magnetic Head for Floppy Disk Drive" published by Mitsumi Electric Co., Ltd., Jan. 1988, pp. 3, 5, 10, 11, 14 and 18.

Primary Examiner—Bernard Ansher
Assistant Examiner—M. Siegel
Attorney, Agent, or Firm—Michael N. Meller

[57] CLAIM

The ornamental design of a magnetic head carriage, as shown.

DESCRIPTION

FIG. 1 is a front elevational view of magnetic head carriage showing our new design; FIG. 2 is a top plan view thereof; FIG. 3 is a right side elevational view thereof; FIG. 4 is a left side elevational view thereof; FIG. 5 is a bottom plan view thereof; FIG. 6 is a rear elevational view thereof; and, FIG. 7 is a perspective view thereof.

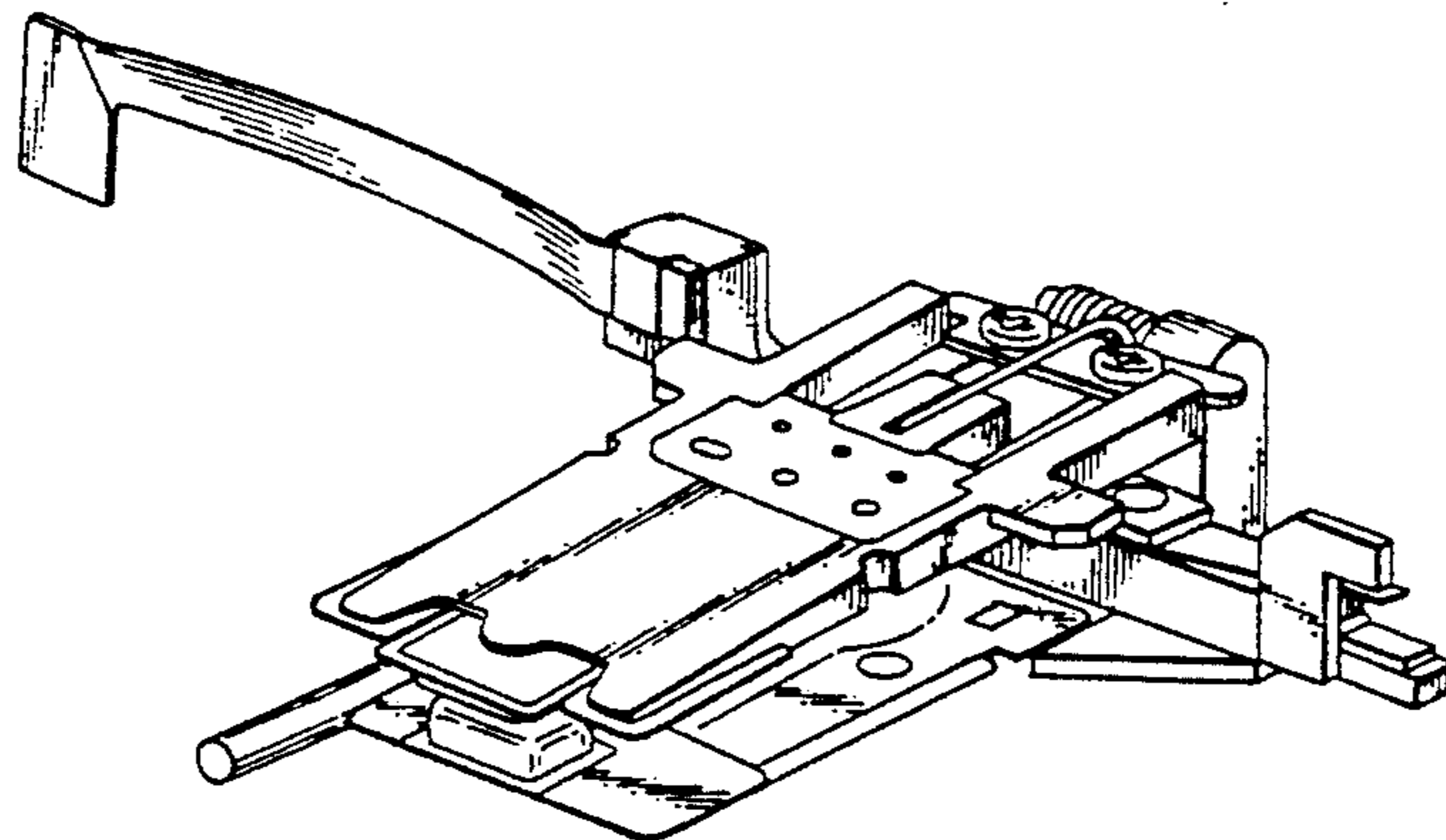


FIG.1

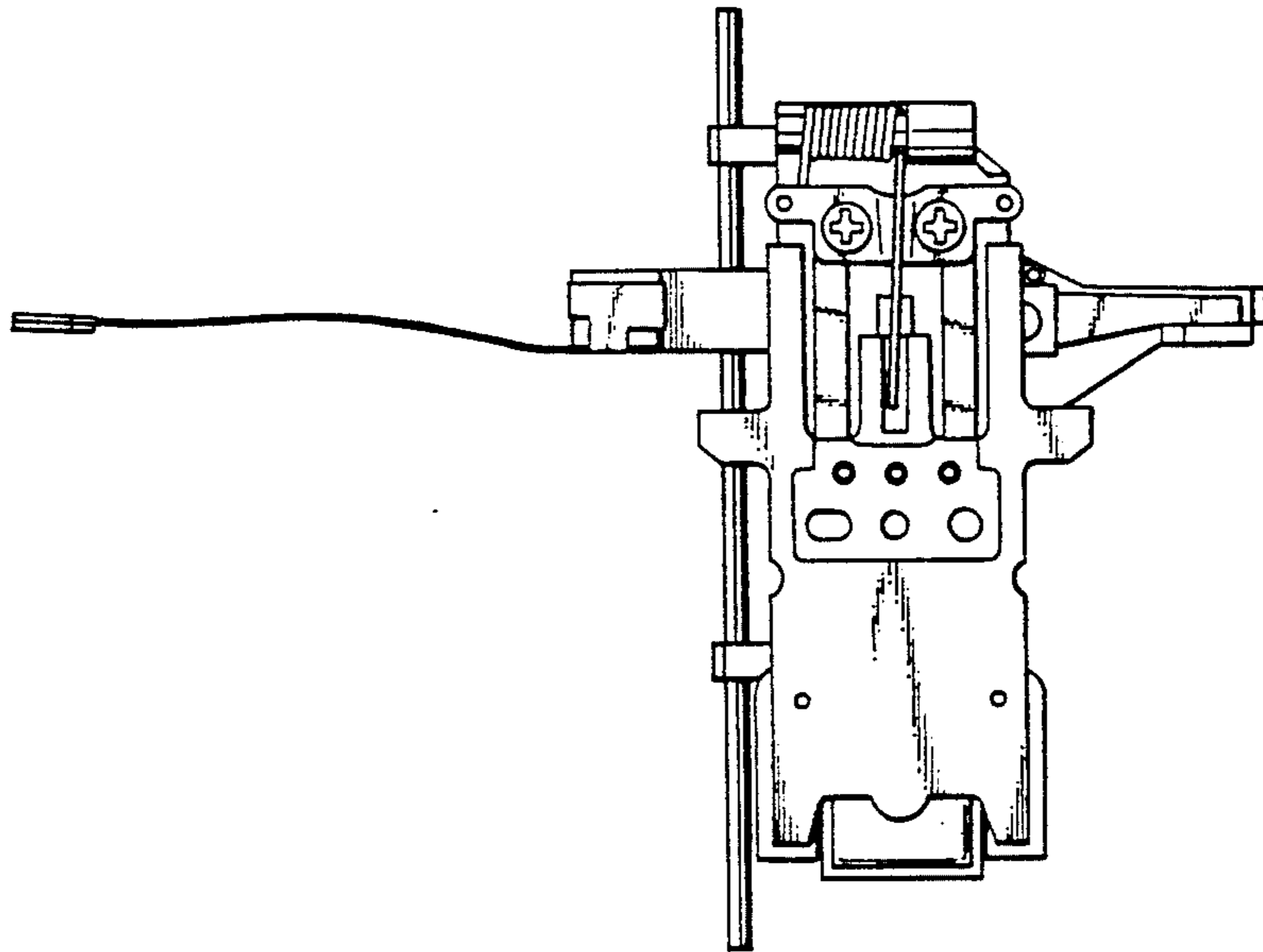


FIG.2

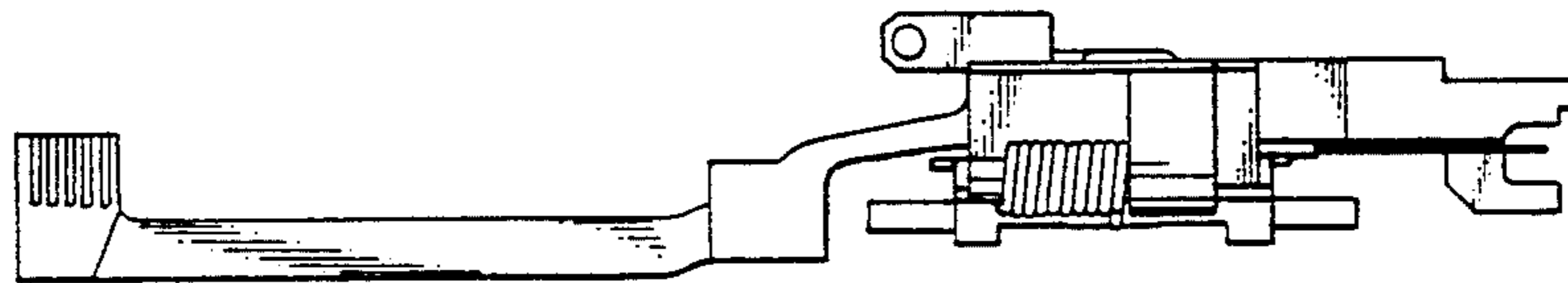


FIG.3

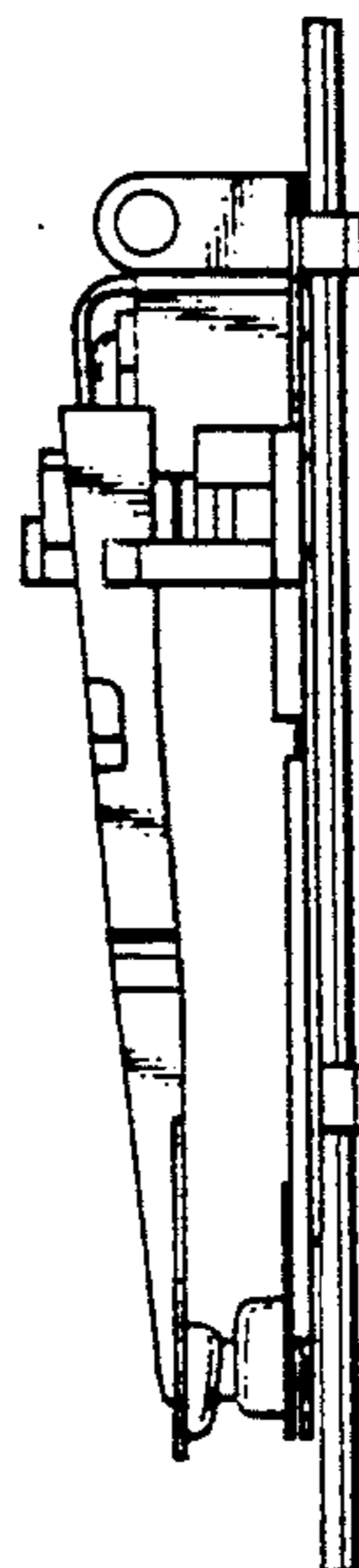


FIG.4

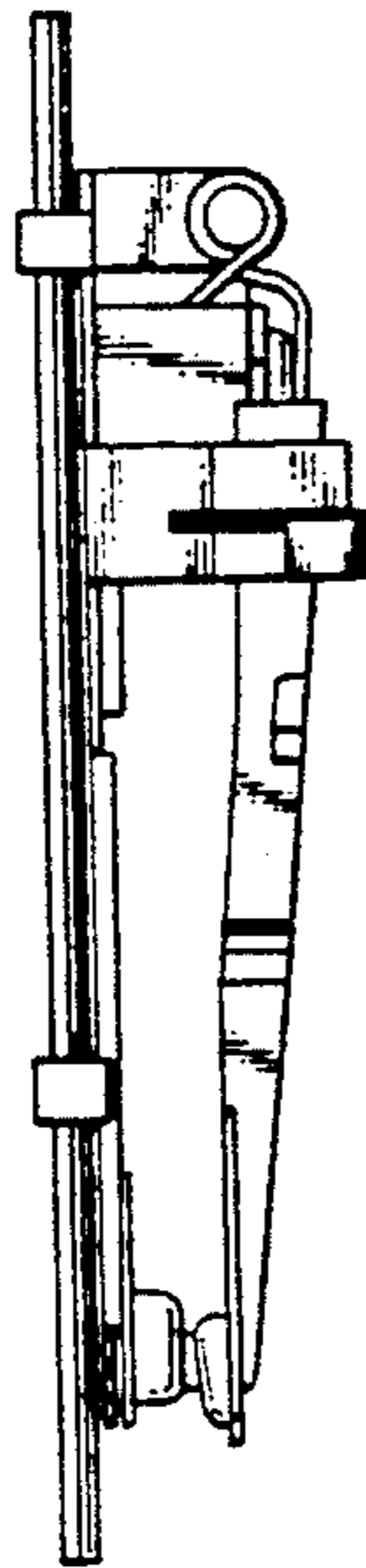


FIG.5

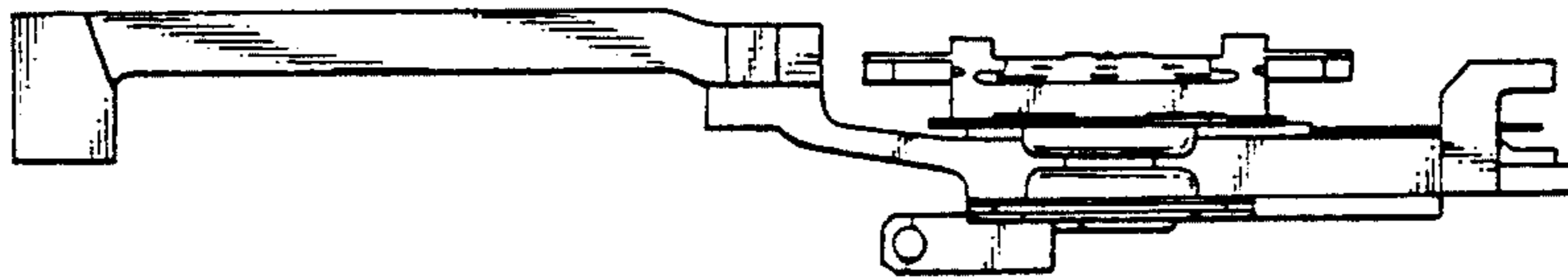


FIG.6

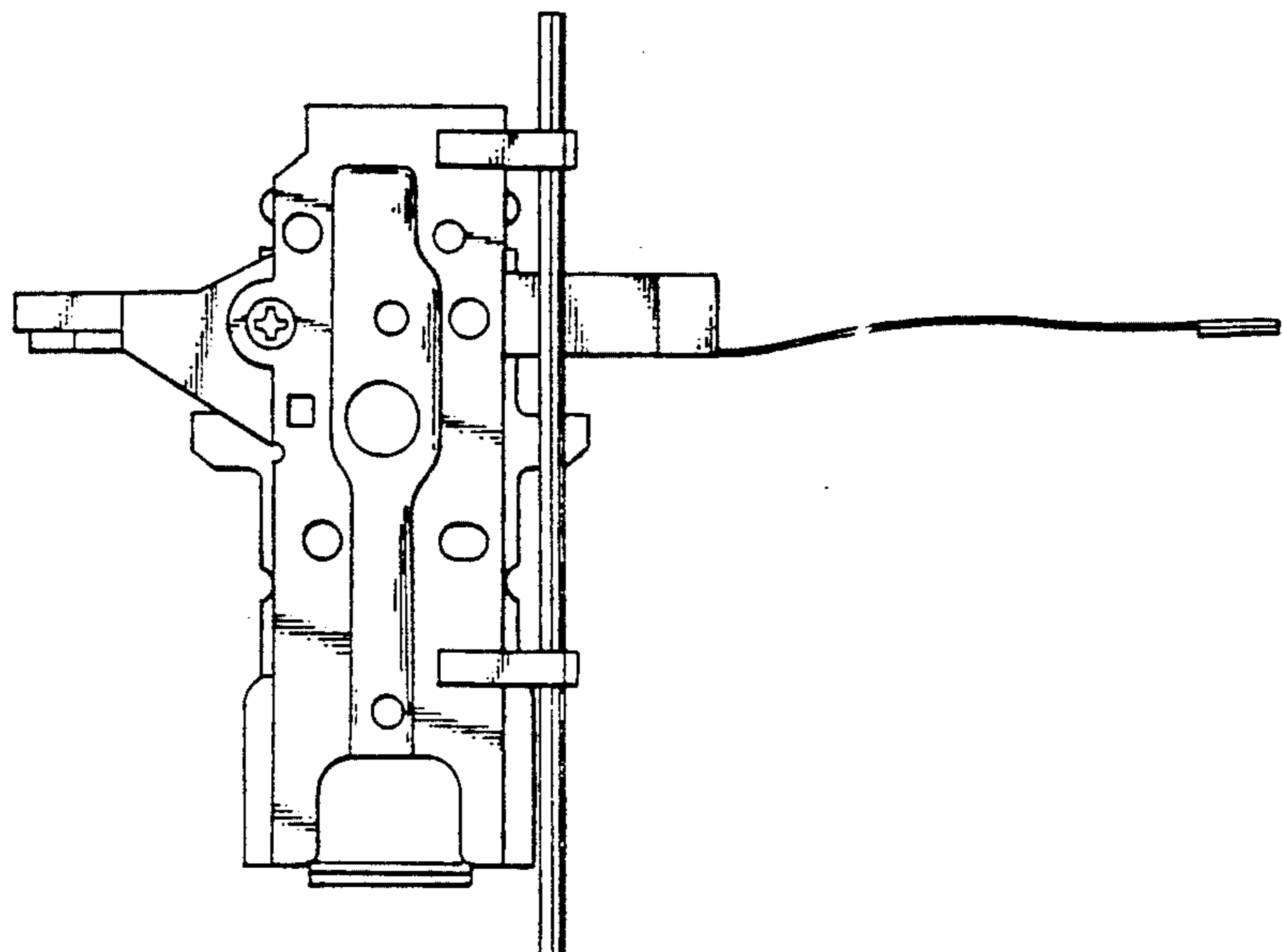


FIG. 7

