



US00D346803S

United States Patent [19]

[11] Patent Number: **Des. 346,803**

Veto

[45] Date of Patent: **** May 10, 1994**

[54] SPEAKER BOX

[76] Inventor: **Jay Veto**, 6010 Cavendish Blvd., Apt. 108, Cote St. Luc, Quebec, Canada, H4V 2R9

[**] Term: **14 Years**

[21] Appl. No.: **672,581**

[22] Filed: **May 16, 1991**

[30] Foreign Application Priority Data

Sep. 25, 1990 [CA]	Canada	25099012
[52] U.S. Cl.	D14/221; D14/216	
[58] Field of Search	181/144, 145, 148, 150, 181/153, 199; 381/87-90; D14/204, 207-216, 219-222	

[56] References Cited

U.S. PATENT DOCUMENTS

D. 187,924	5/1960	Shaver et al.	D14/214
D. 236,836	9/1975	Cerra	D14/211
D. 319,239	8/1991	Kovner	D14/204

OTHER PUBLICATIONS

Crutchfield Winter/Spring 1991 ©1990 p. 41 sub-woofer boxes, top.

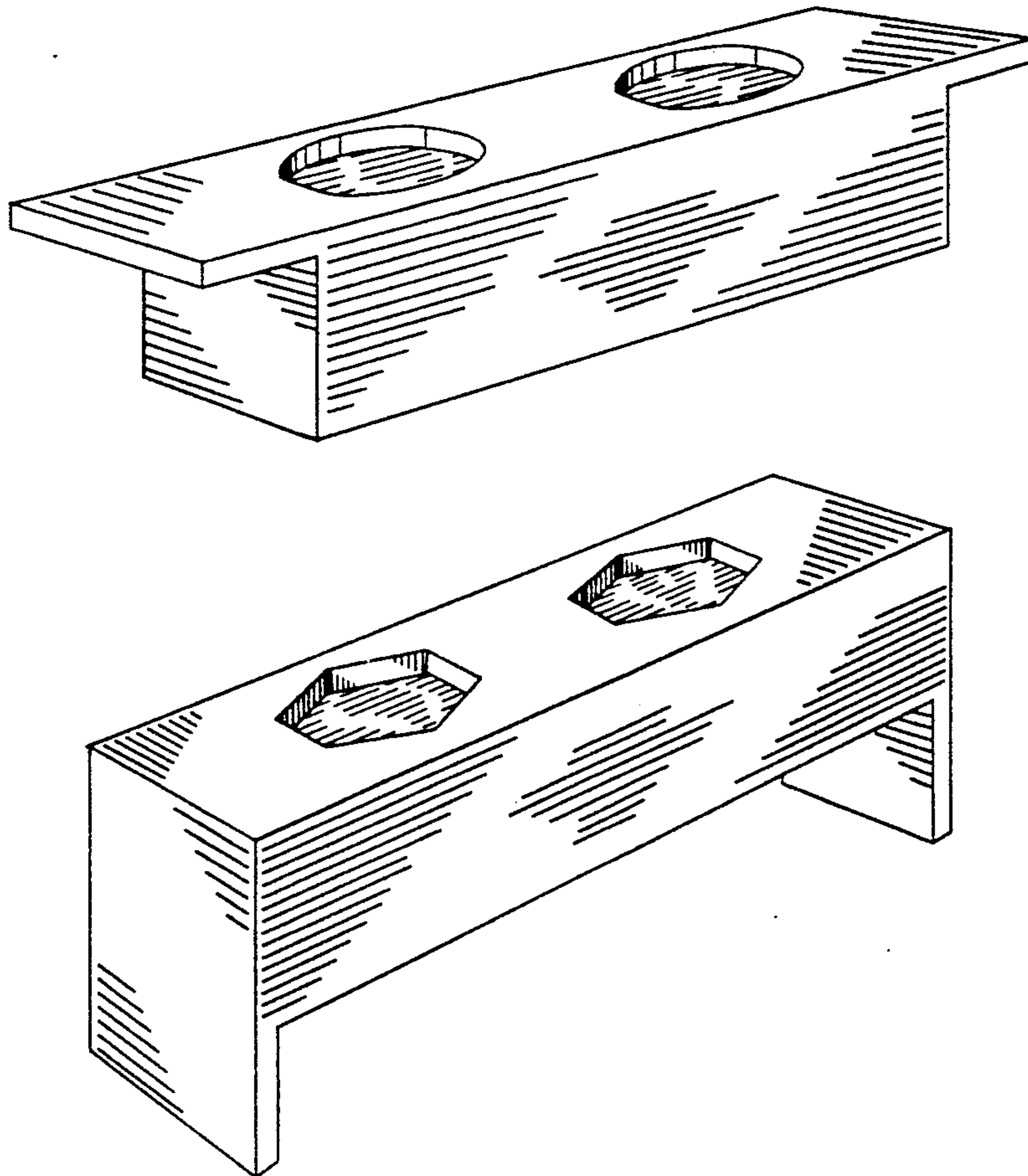
Primary Examiner—Bernard Ansher
Assistant Examiner—Sandra Morris

[57] CLAIM

The ornamental design for a speaker box, as shown and described.

DESCRIPTION

FIG. 1 is a perspective view of a speaker box, showing my new design;
 FIG. 2 is a perspective view of a second embodiment thereof;
 FIG. 3 is a top plan view of FIG. 1;
 FIG. 4 is a top plan view of FIG. 2;
 FIG. 5 is a front elevational view of FIG. 1;
 FIG. 6 is a bottom plan view of FIG. 1;
 FIG. 7 is a right side elevational view of FIG. 1, the left side being identical;
 FIG. 8 is a front elevational view of FIG. 2;
 FIG. 9 is a bottom plan view of FIG. 2; and,
 FIG. 10 is a right side elevational view of FIG. 2, the left side being identical.



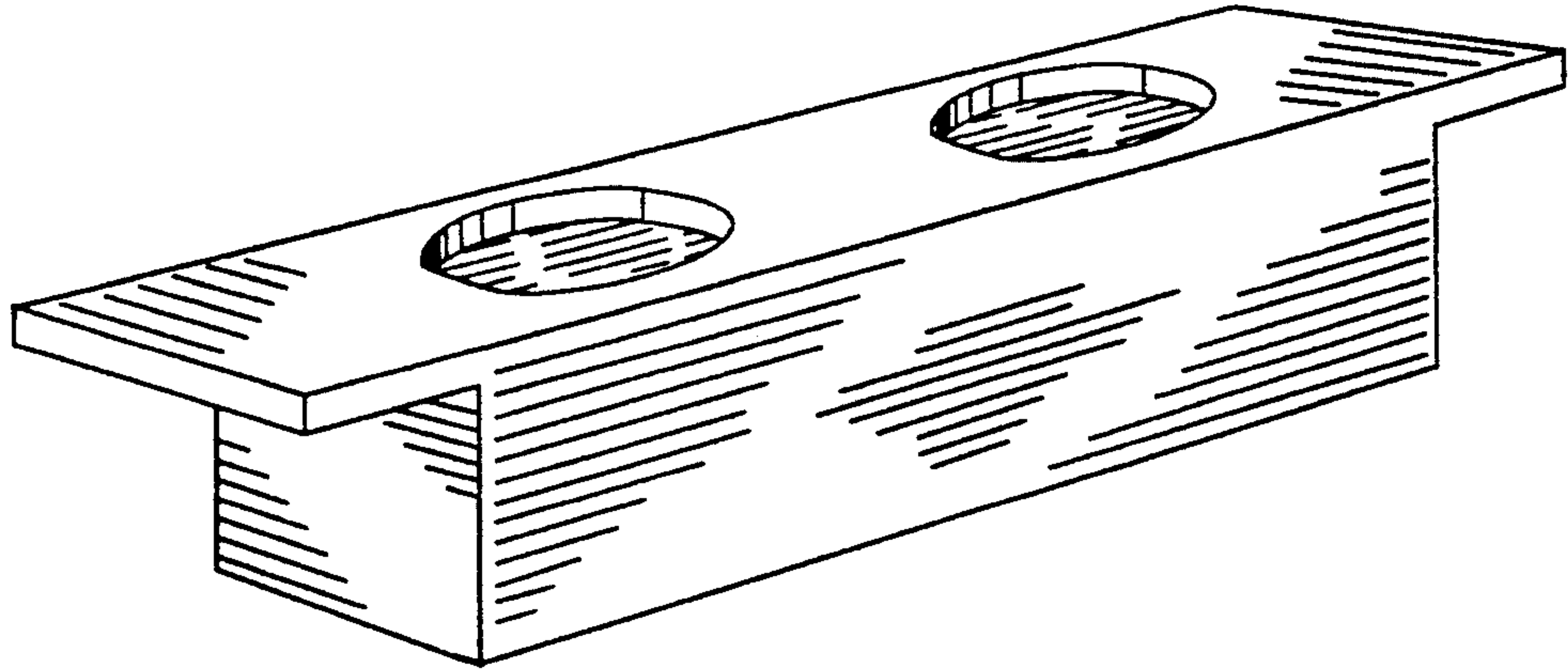


FIG.1

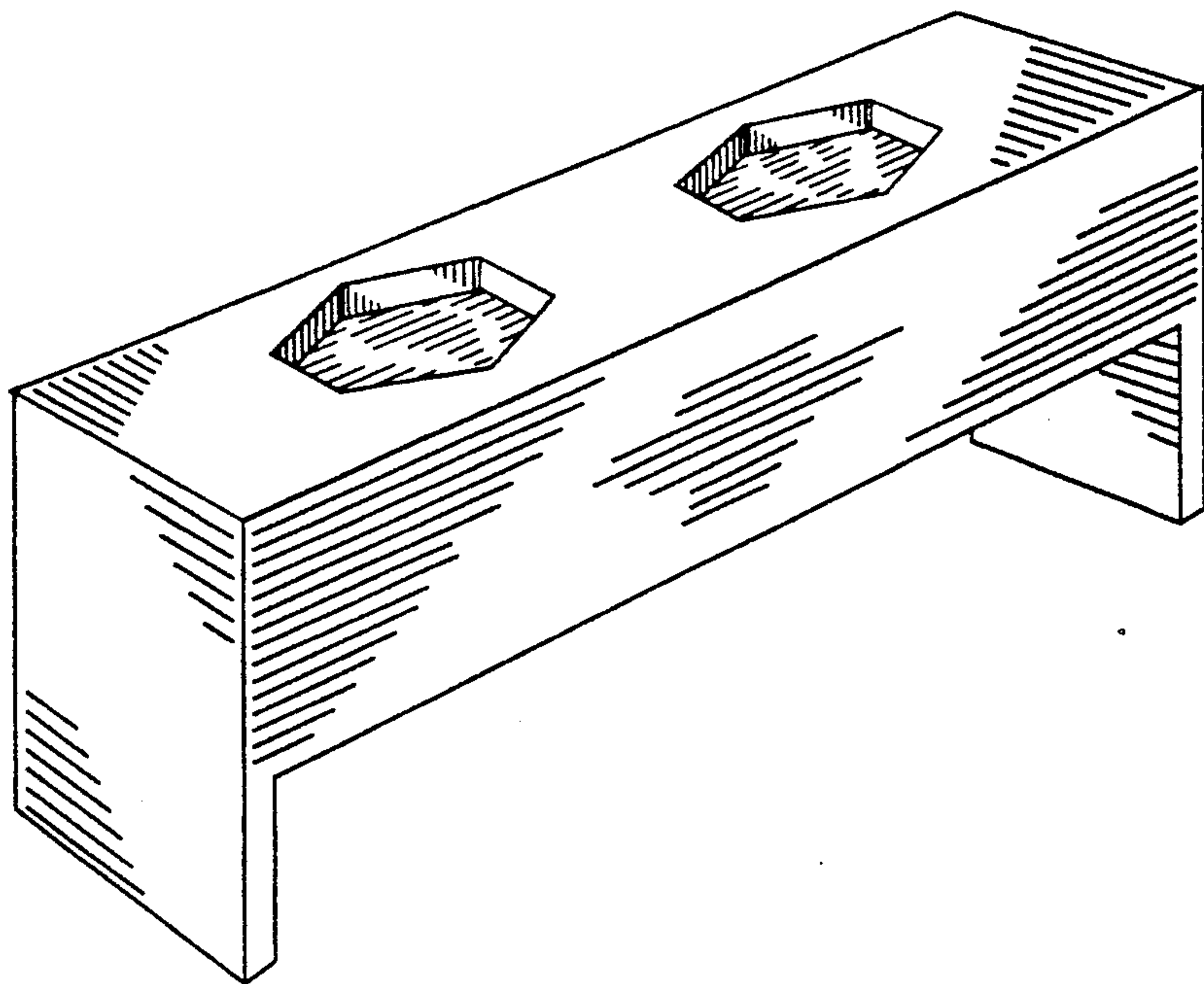


FIG.2

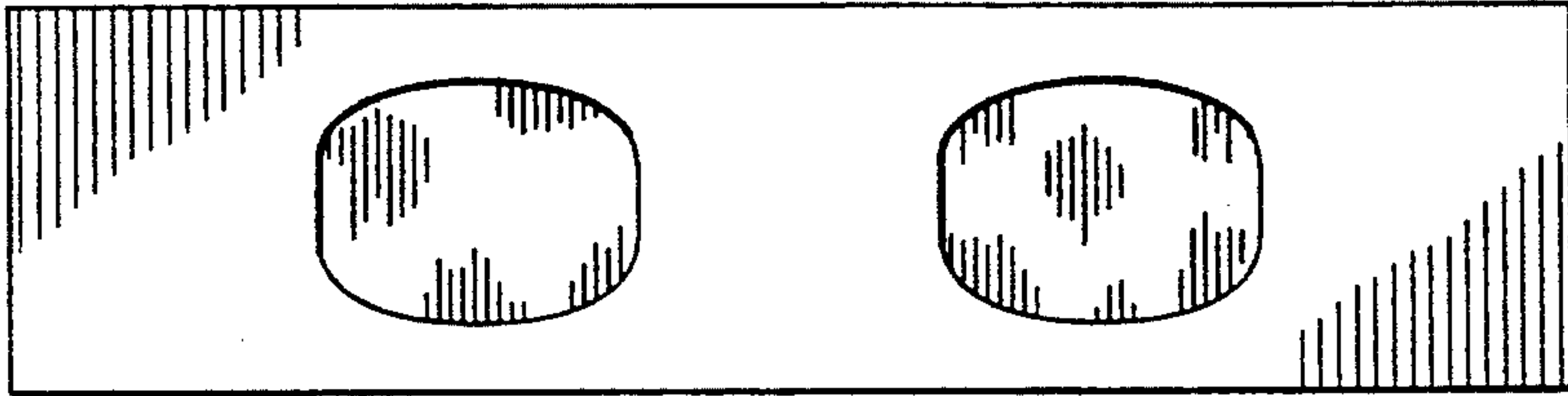


FIG. 3

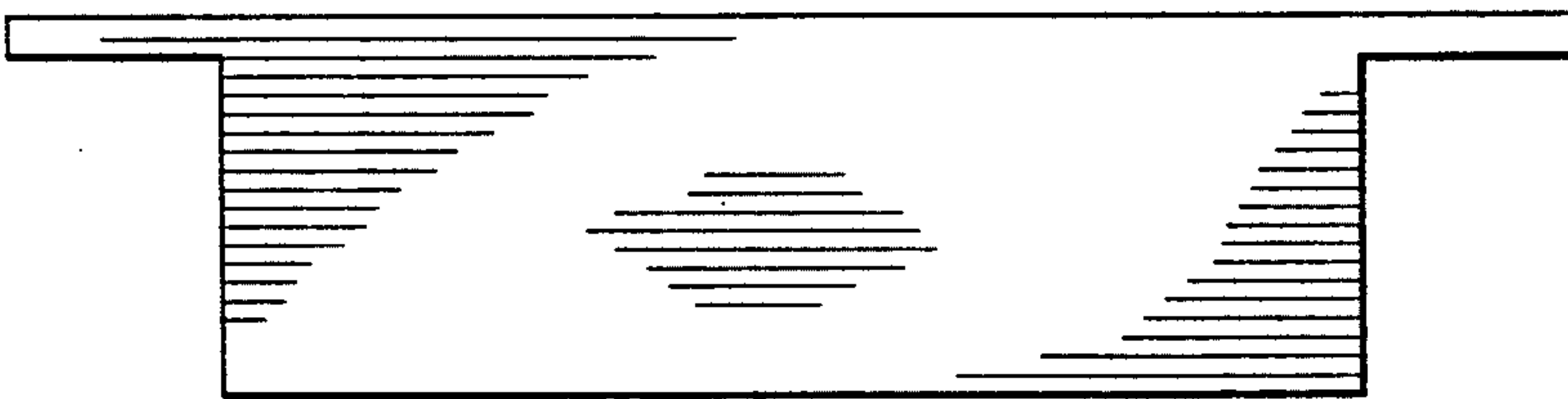


FIG. 5

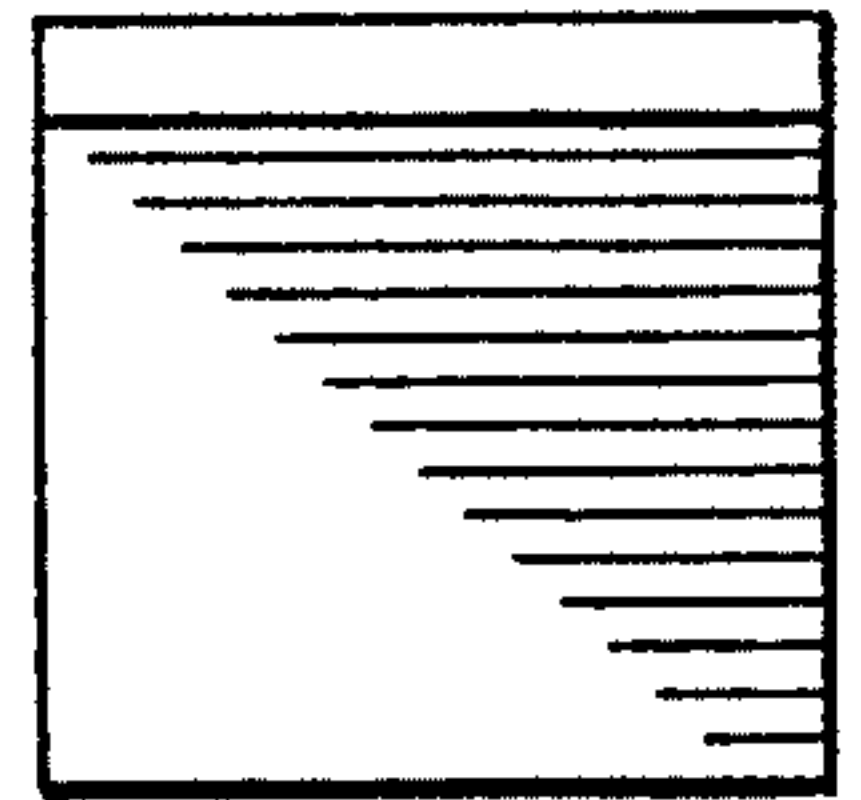


FIG. 7

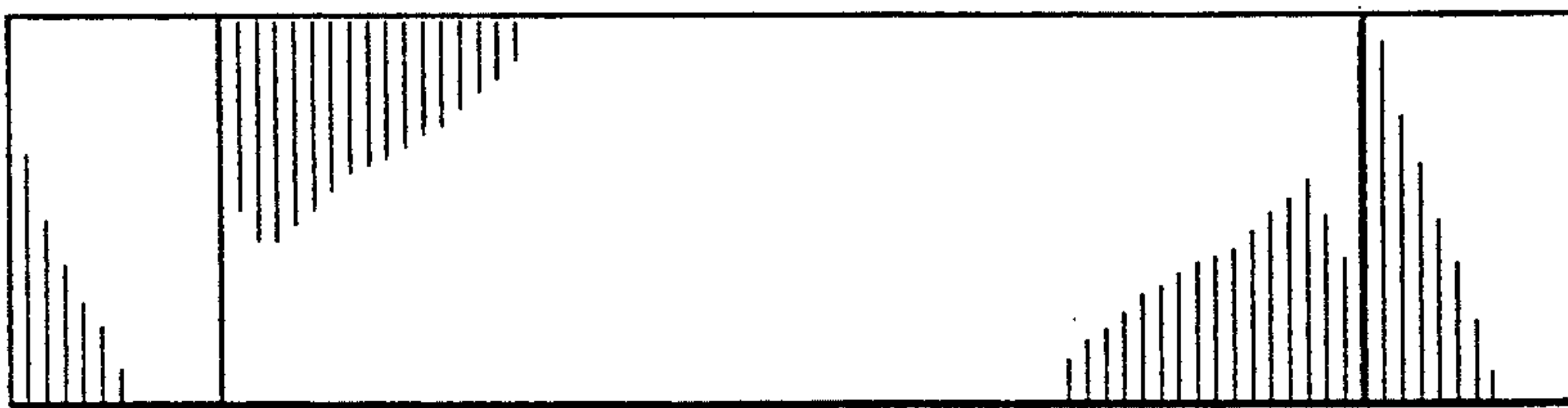


FIG. 6

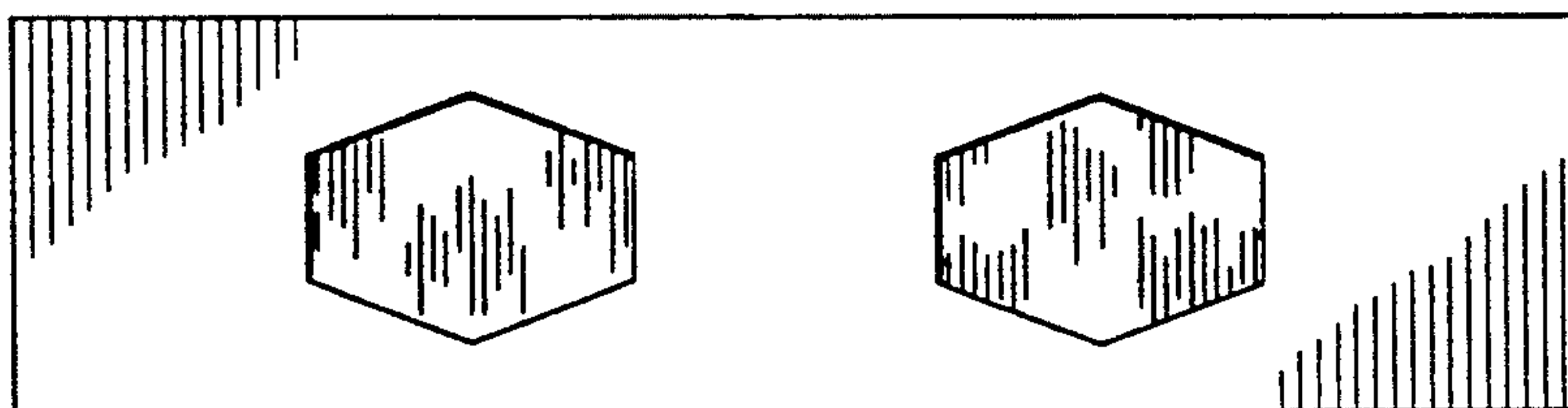


FIG. 4

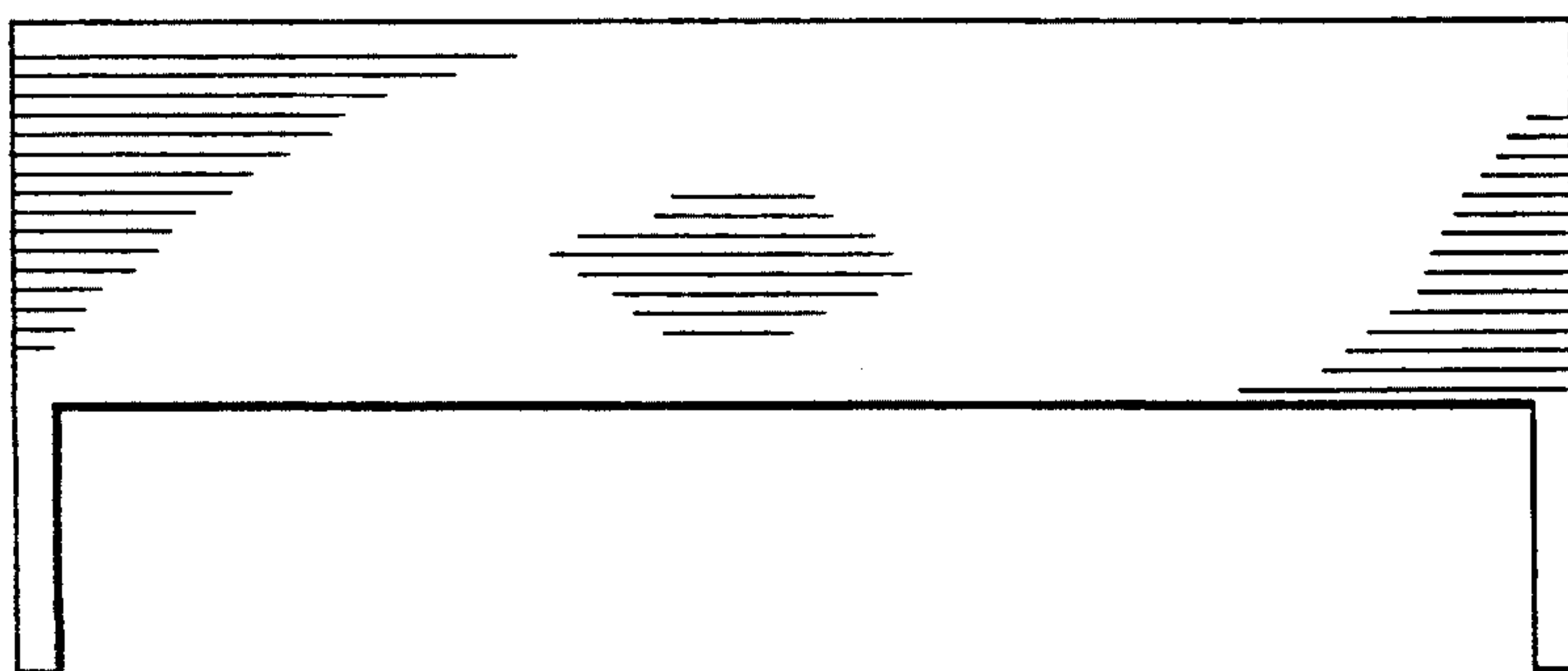


FIG. 8

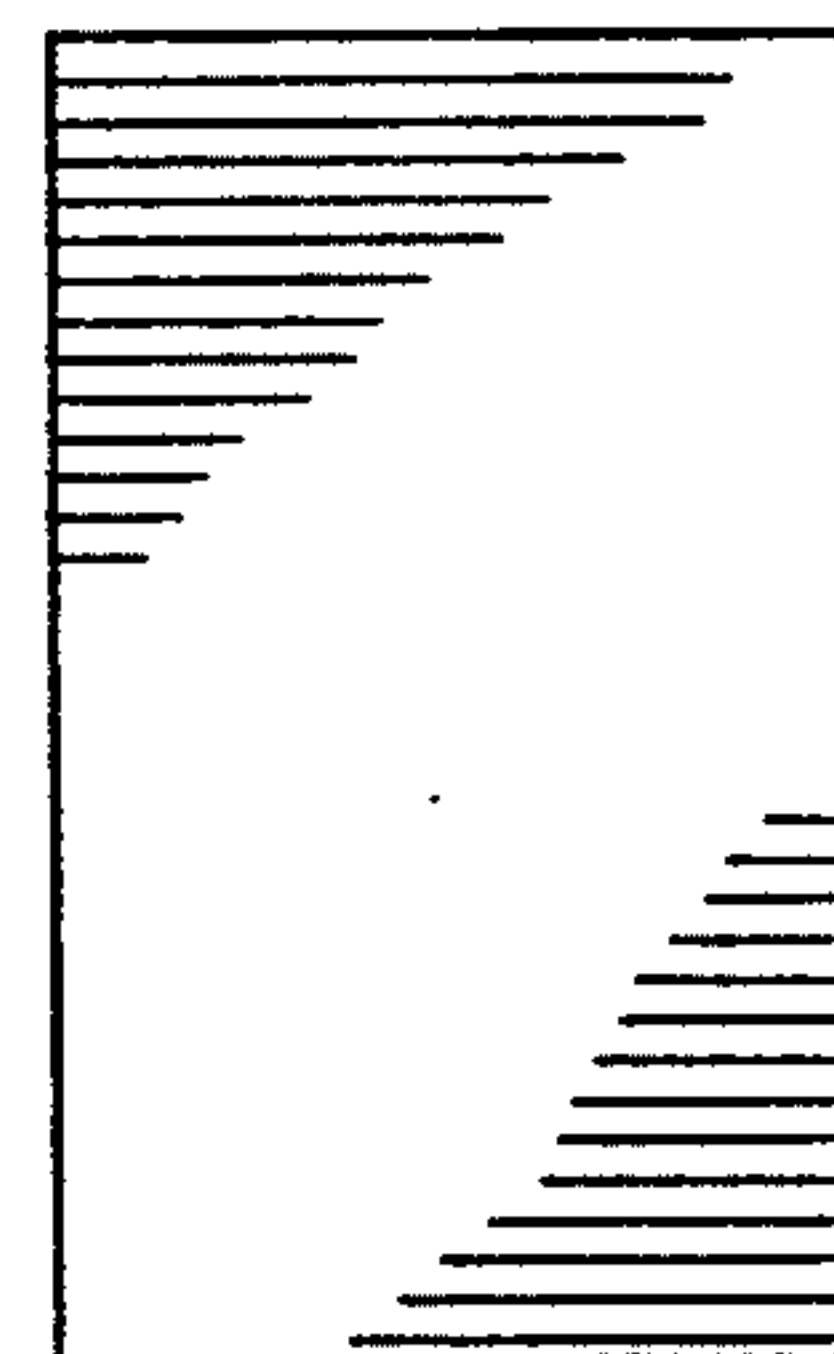


FIG. 10

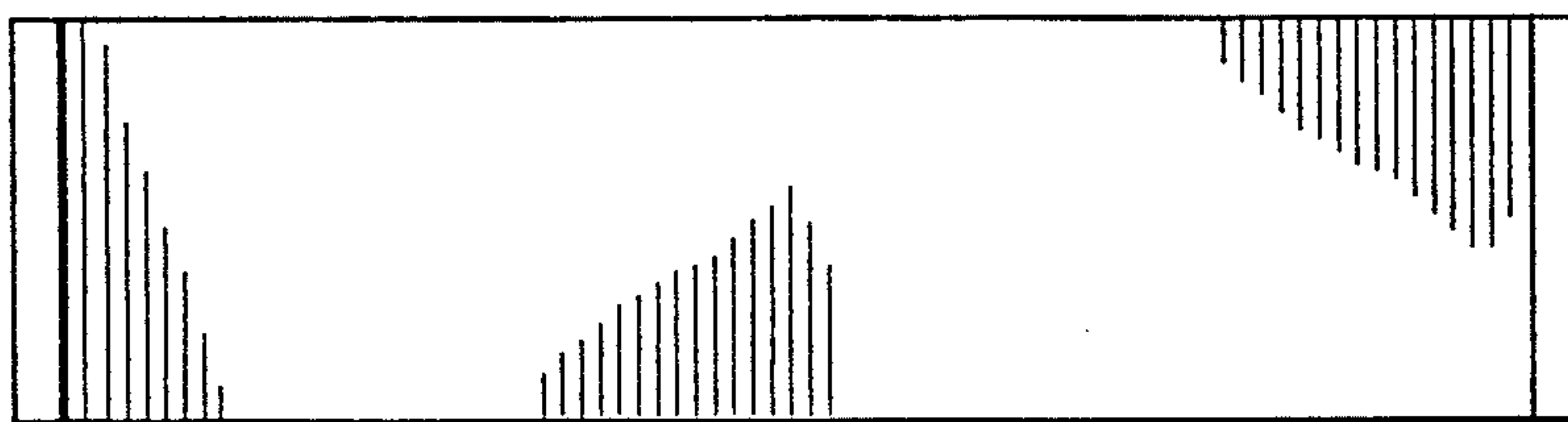


FIG. 9