



US00D346800S

# United States Patent [19]

[11] Patent Number: Des. 346,800

Hosoe

[45] Date of Patent: \*\* May 10, 1994

## [54] TELEPHONE SET

[75] Inventor: Isao Hosoe, Milan, Italy

[73] Assignee: Telenorma GmbH, Fed. Rep. of Germany

[\*\*] Term: 14 Years

[21] Appl. No.: 839,875

[22] Filed: Feb. 21, 1992

[52] U.S. Cl. .... D14/151

[58] Field of Search ..... 379/419, 428, 432, 433, 379/436, 440; D14/130, 140, 141, 142, 149-151, 240, 241, 248

## [56] References Cited

### U.S. PATENT DOCUMENTS

- D. 294,250 2/1988 Watanabe ..... D14/130
- D. 299,342 1/1989 Duchin ..... D14/241 X
- D. 311,397 10/1990 Cheng ..... D14/248 X
- D. 315,557 3/1991 Grewe et al. .... D14/130
- D. 331,409 12/1992 Goldsmith et al. .... D14/142 X
- D. 332,450 1/1993 Kolinen ..... D14/151

## OTHER PUBLICATIONS

Expressions catalog, p. 22, item E.

Primary Examiner—Nelson C. Holtje

Assistant Examiner—Jeffrey Asch

Attorney, Agent, or Firm—Eckert Seamans Cherin & Mellott

## [57] CLAIM

The ornamental design for a telephone set, as shown and described.

## DESCRIPTION

FIG. 1 is a perspective view of a telephone set showing my new design;

FIG. 2 is another perspective view of the telephone set showing the handset in place and the cover/screen down;

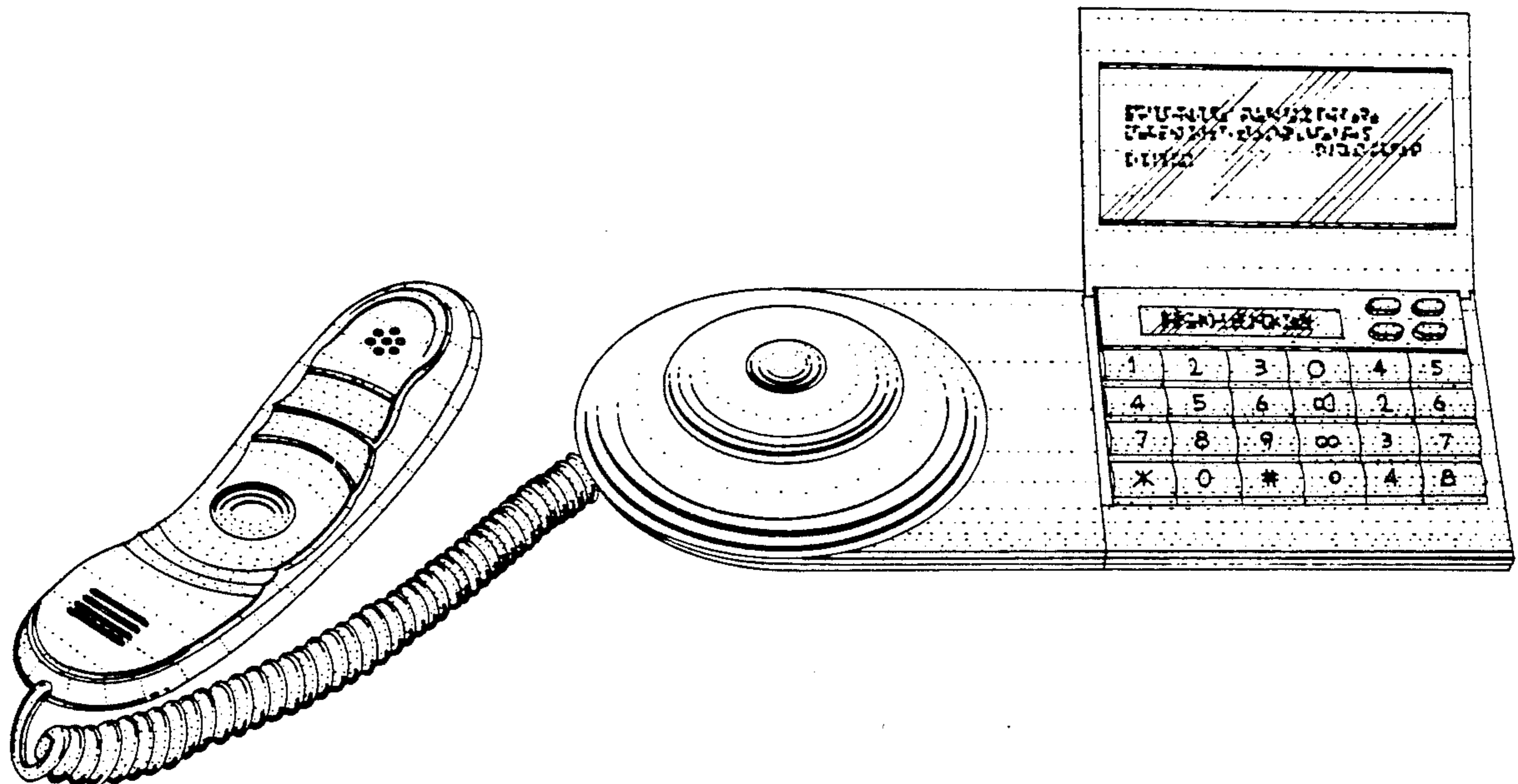
FIG. 3 is another perspective view of the telephone set showing the handset in place and the cover/screen up;

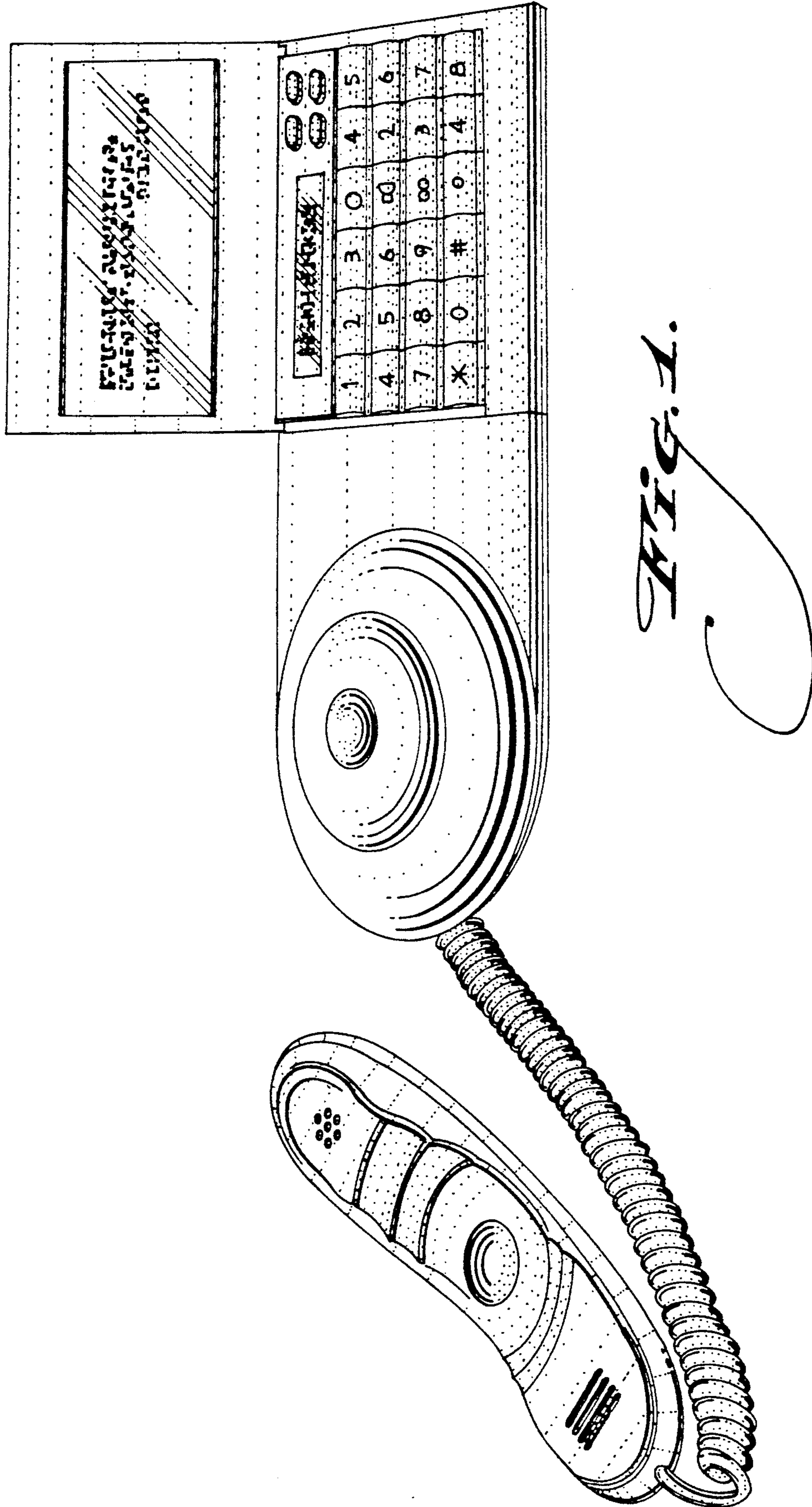
FIG. 4 is a left side view of the telephone set;

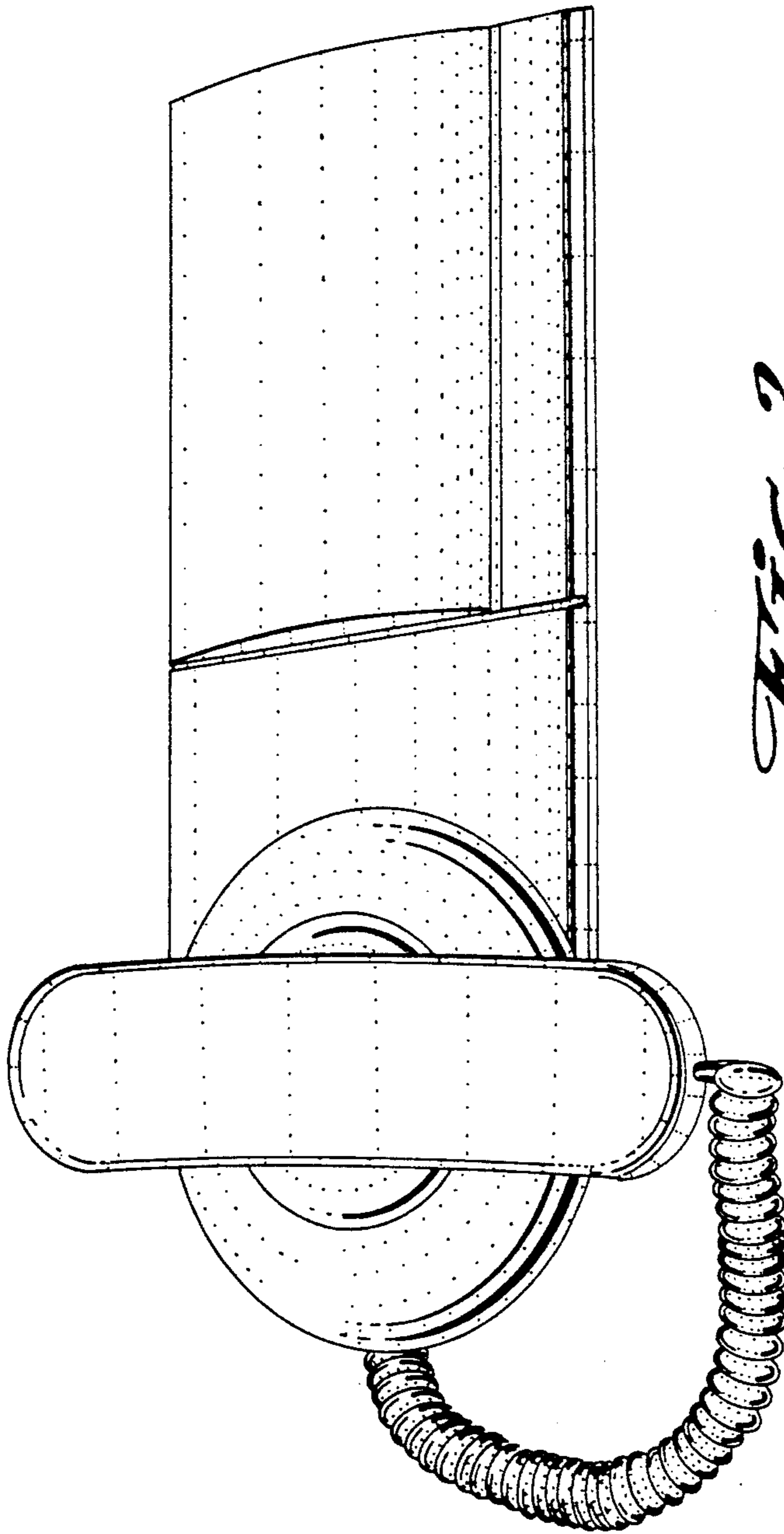
FIG. 5 is a right side view of the telephone set; and,

FIG. 6 is a bottom plan view of the telephone set.

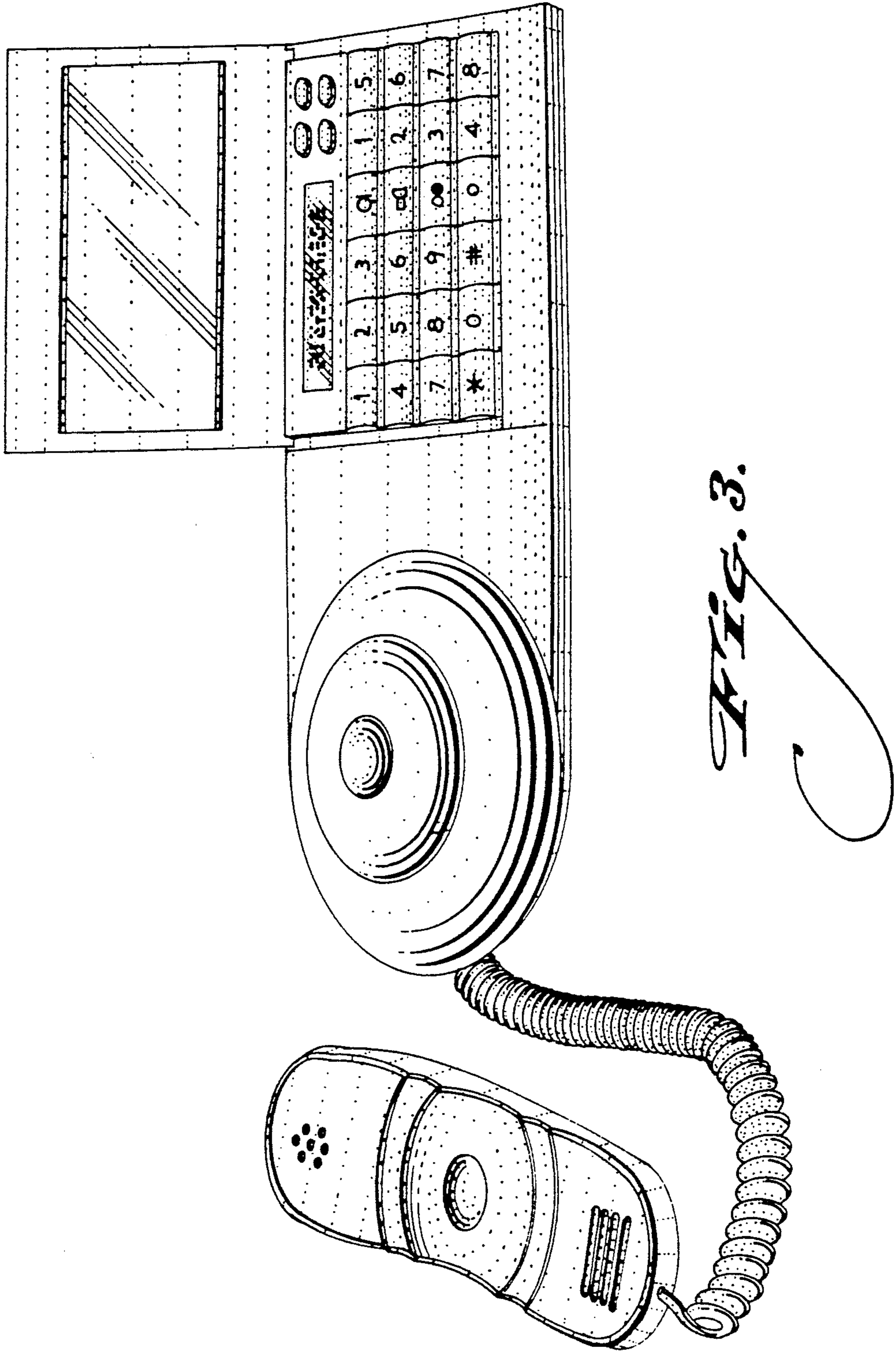
The broken line showings of displayed characters in FIGS. 1, 3, and 5 are for illustrative purposes only and form no part of the claimed design.

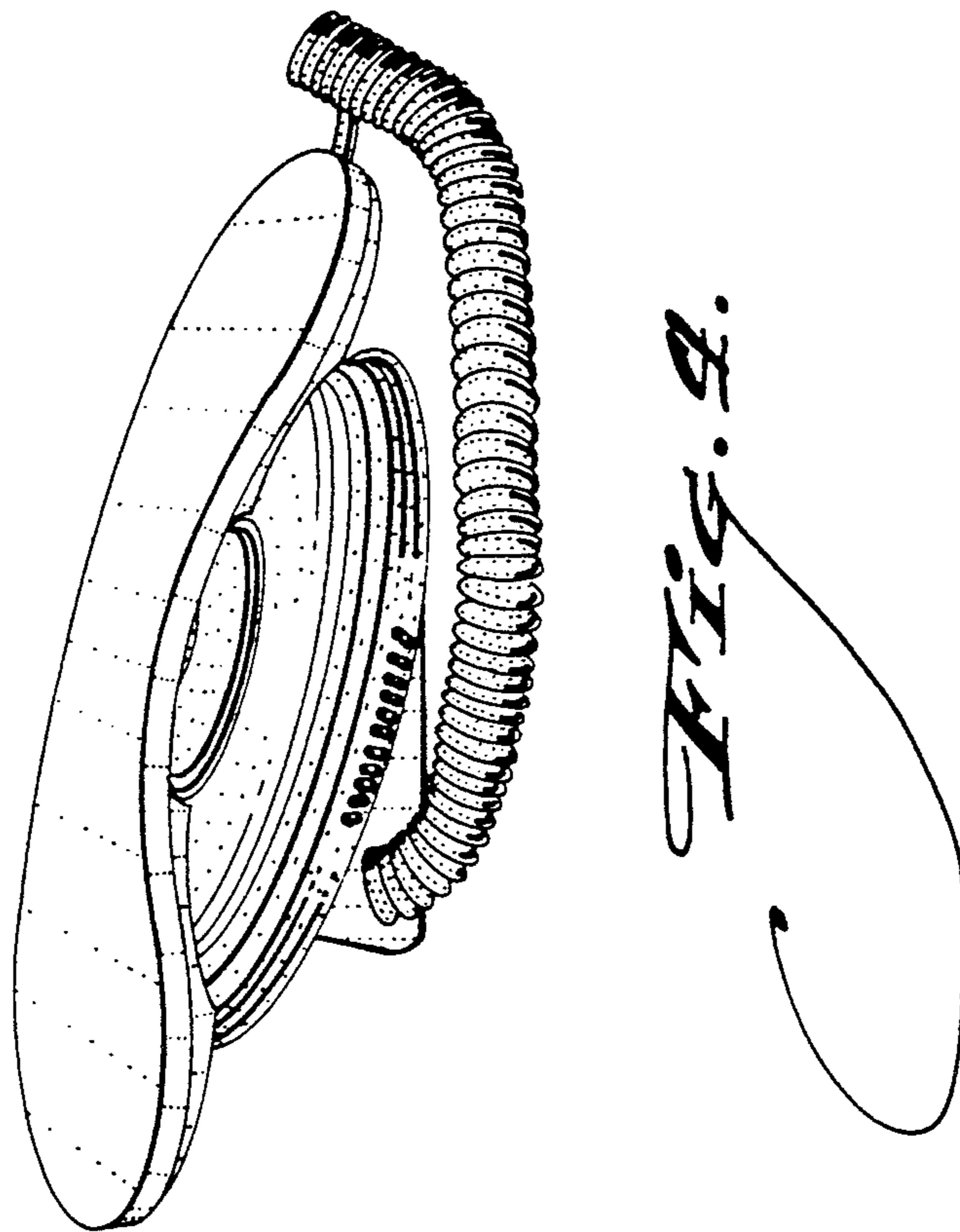


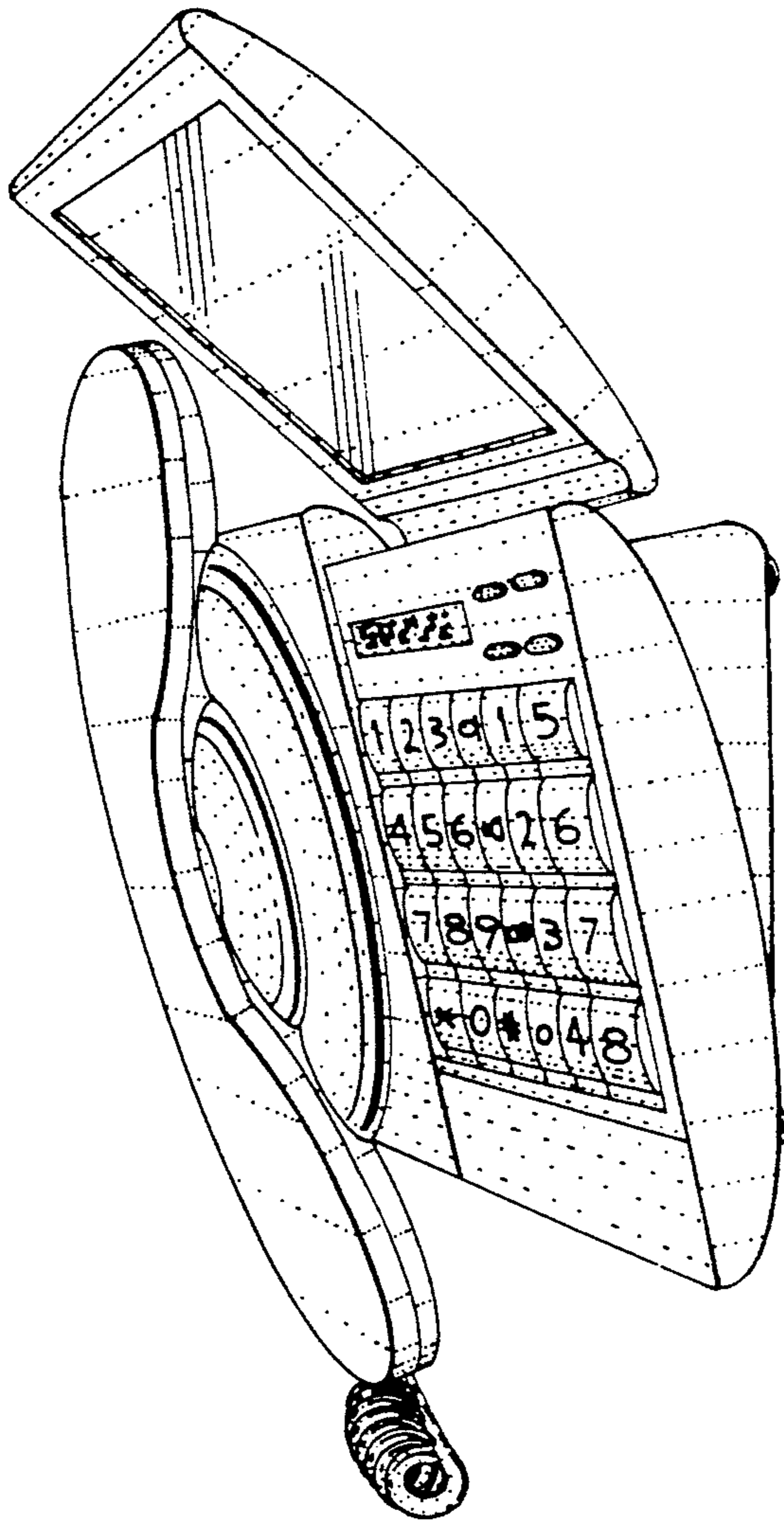




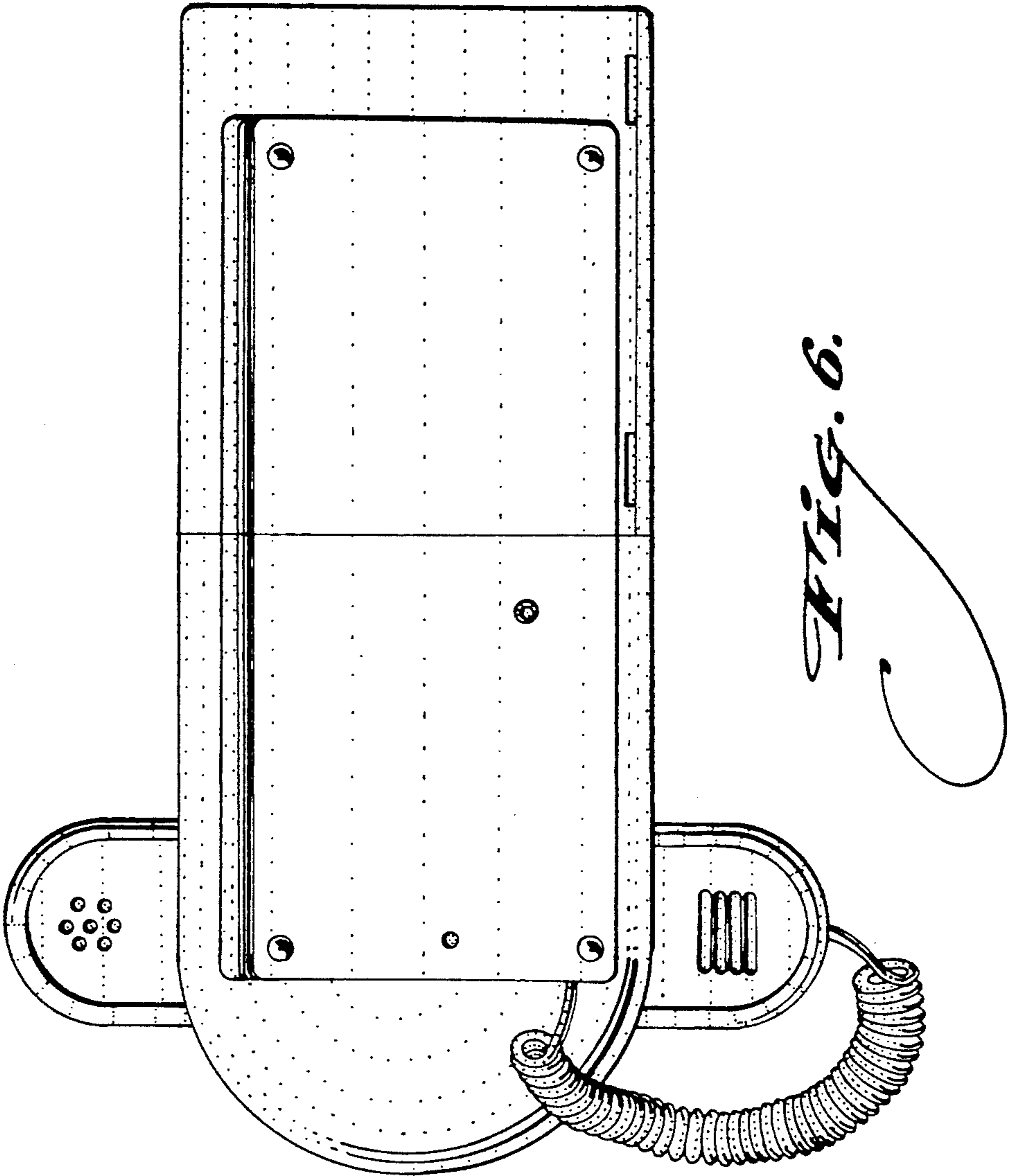
*FIG. 2.*







*FIG. 5.*



*FIG. 6.*