



US00D346799S

# United States Patent [19]

[11] Patent Number: **Des. 346,799**

Hosoe

[45] Date of Patent: **\*\* May 10, 1994**

## [54] TELEPHONE SET

- [75] Inventor: **Isao Hosoe**, Milan, Italy
- [73] Assignee: **Telenorma GmbH**, Fed. Rep. of Germany
- [\*\*] Term: **14 Years**
- [21] Appl. No.: **839,873**
- [22] Filed: **Feb. 21, 1992**
- [30] Foreign Application Priority Data

Aug. 9, 1991 [DE] Fed. Rep. of Germany ..... M9105590.3

- [52] U.S. Cl. .... **D14/151**
- [58] Field of Search ..... 379/419, 428, 432, 433, 379/436, 440; D14/130, 140, 141, 142, 149-151, 240, 241, 248; D19/76

## [56] References Cited

### U.S. PATENT DOCUMENTS

- D. 294,250 2/1988 Watanabe ..... D14/130
- D. 299,342 1/1989 Buchin ..... D14/241 X
- D. 311,397 10/1990 Cheng ..... D14/248 X
- D. 315, 557 3/1991 Grewe et al. .... D14/130
- D. 331,409 12/1992 Goldsmith et al. .... D14/142 X
- D. 332,450 1/1993 Kolinen ..... D14/151

## OTHER PUBLICATIONS

Expressions catalog, p. 22, item E.

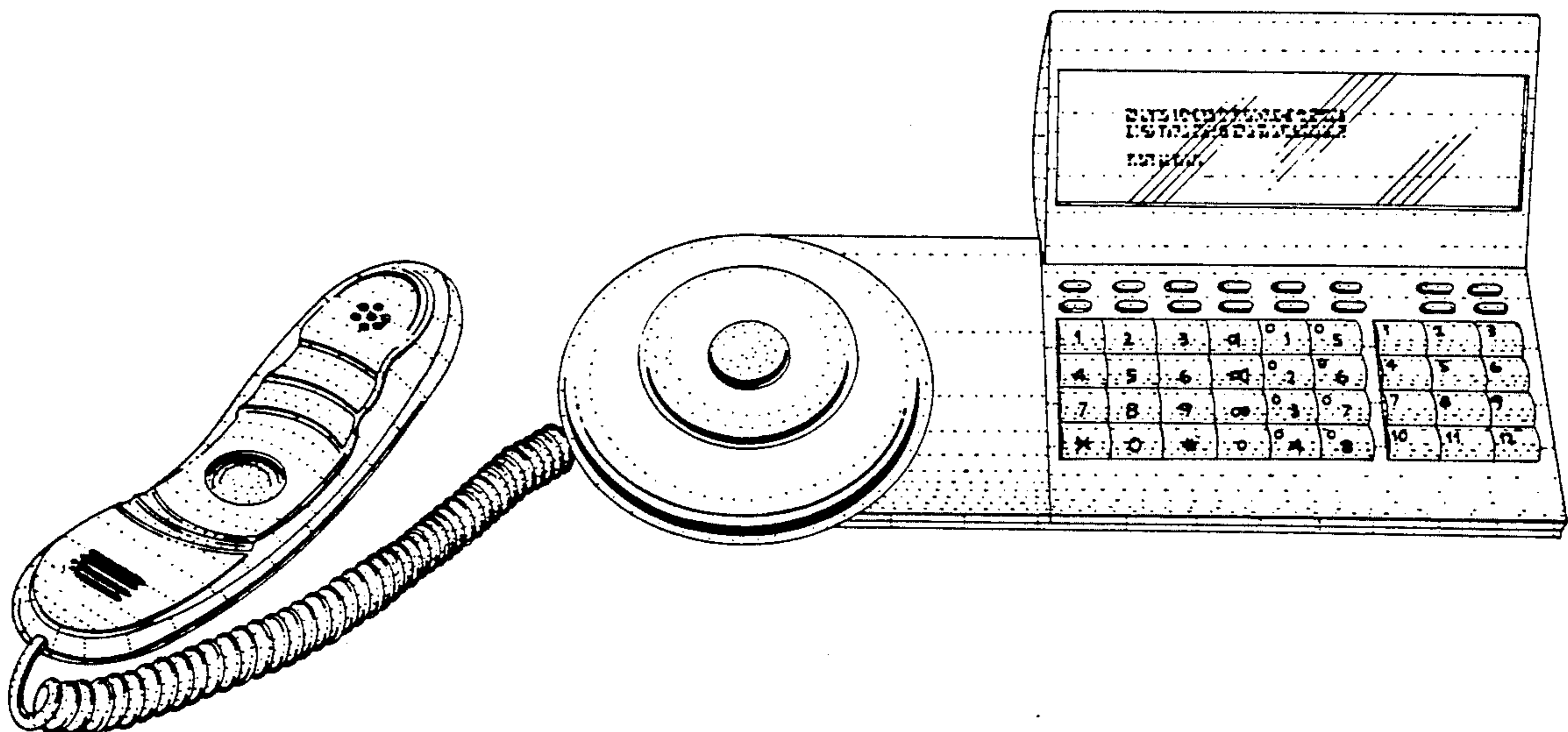
*Primary Examiner*—Alan P. Douglas  
*Assistant Examiner*—Jeffrey Asch  
*Attorney, Agent, or Firm*—Eckert Seamans Cherin & Mellott

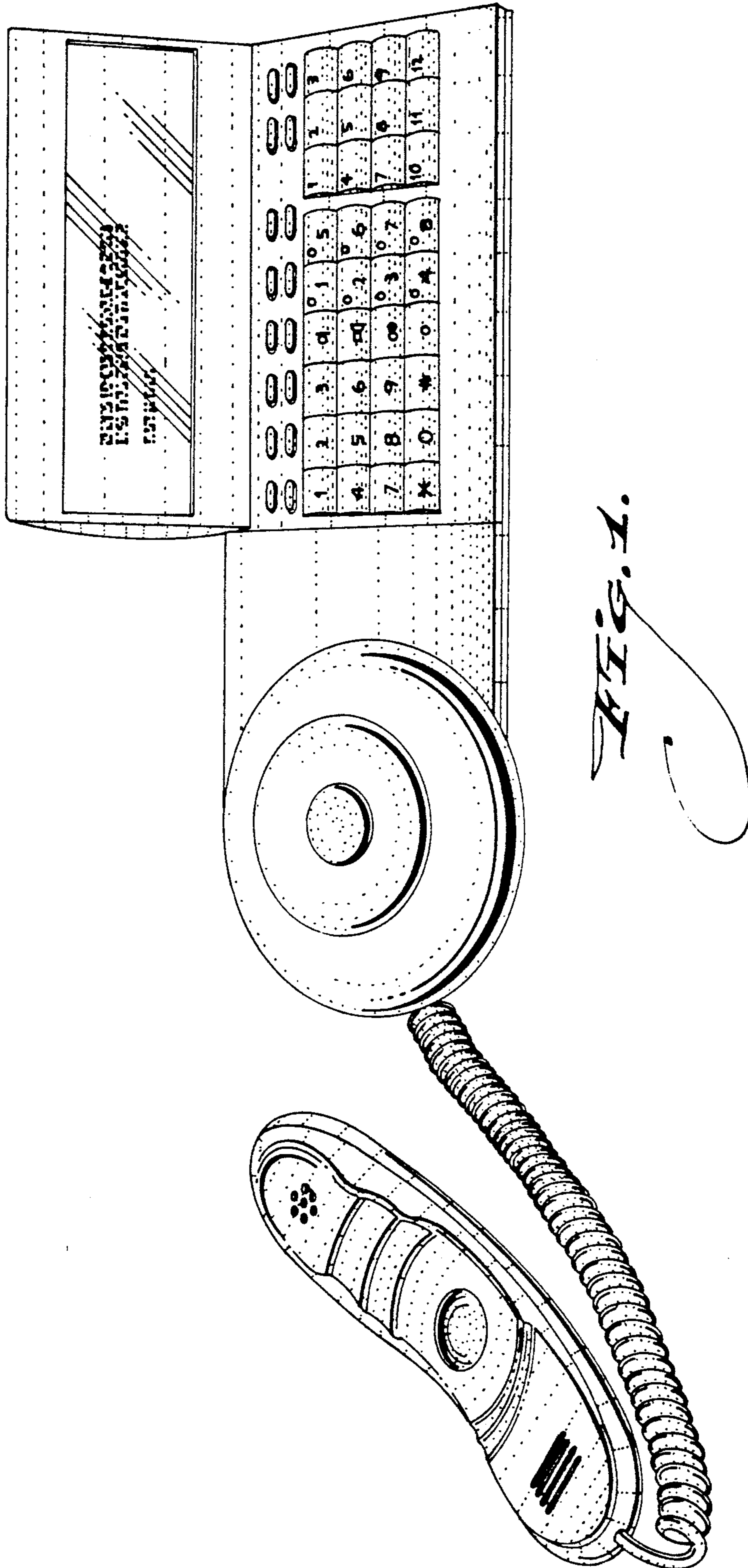
## [57] CLAIM

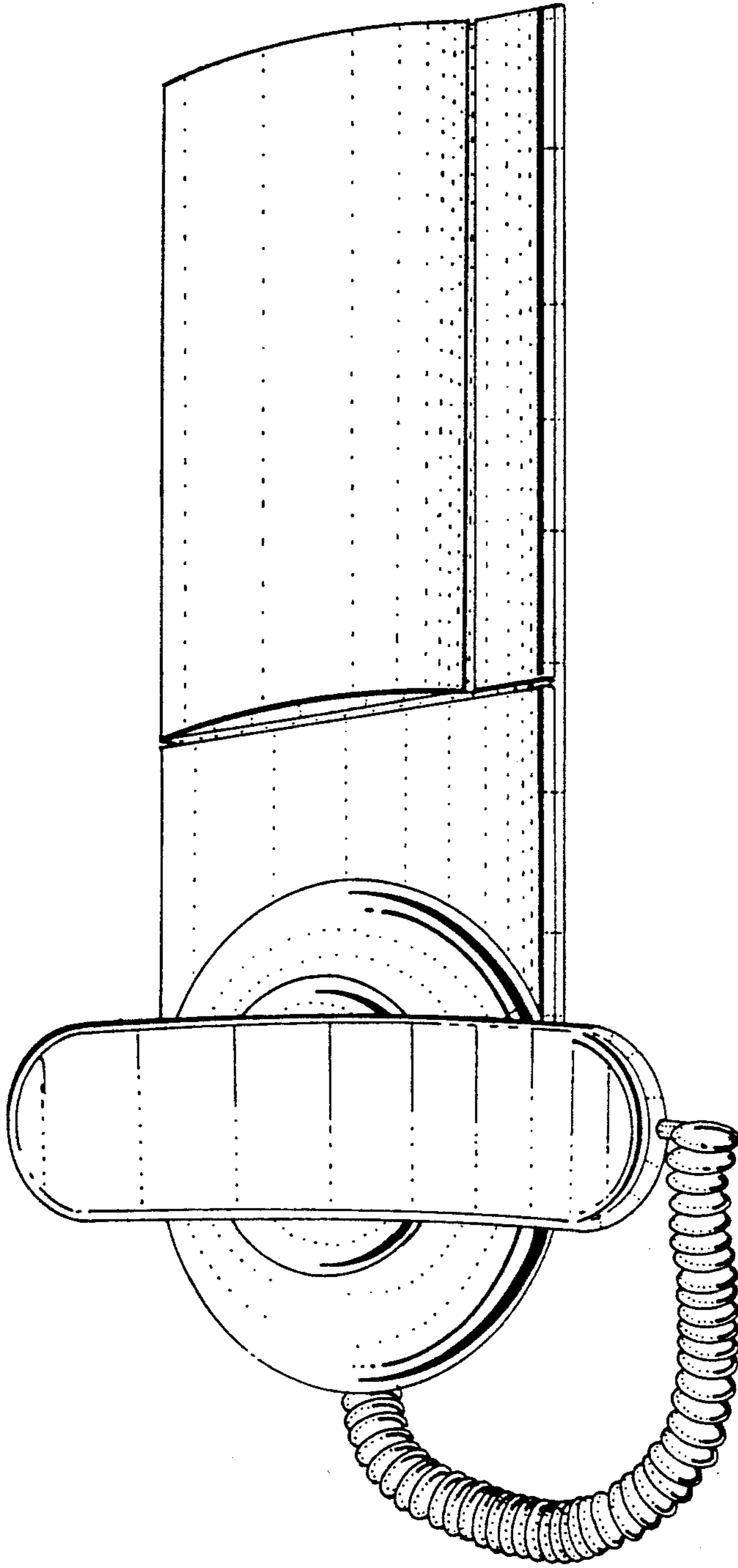
The ornamental design for a telephone set, as shown and described.

## DESCRIPTION

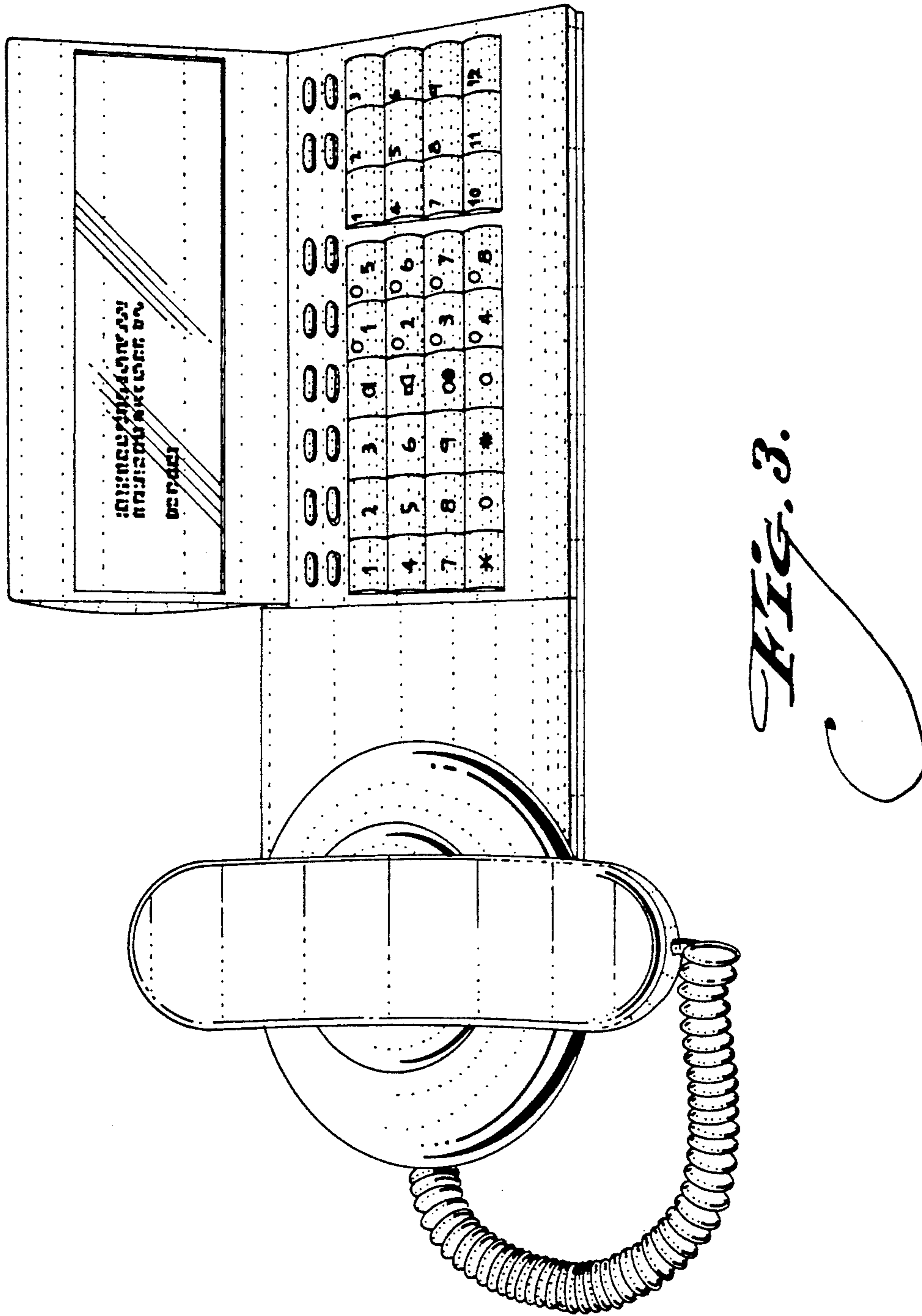
FIG. 1 is a perspective view of a telephone set showing my new design;  
 FIG. 2 is another perspective view of the telephone set showing the handset in place and the cover/screen down;  
 FIG. 3 is another perspective view of the telephone set showing the handset in place and the cover/screen up;  
 FIG. 4 is a left side view of the telephone set;  
 FIG. 5 is a right side view of the telephone set; and,  
 FIG. 6 is a bottom plan view of the telephone set.  
 The broken line showings of displayed characters in the display window of FIGS. 1, 3, and 5 are for illustrative purposes only and form no part of the claimed design.

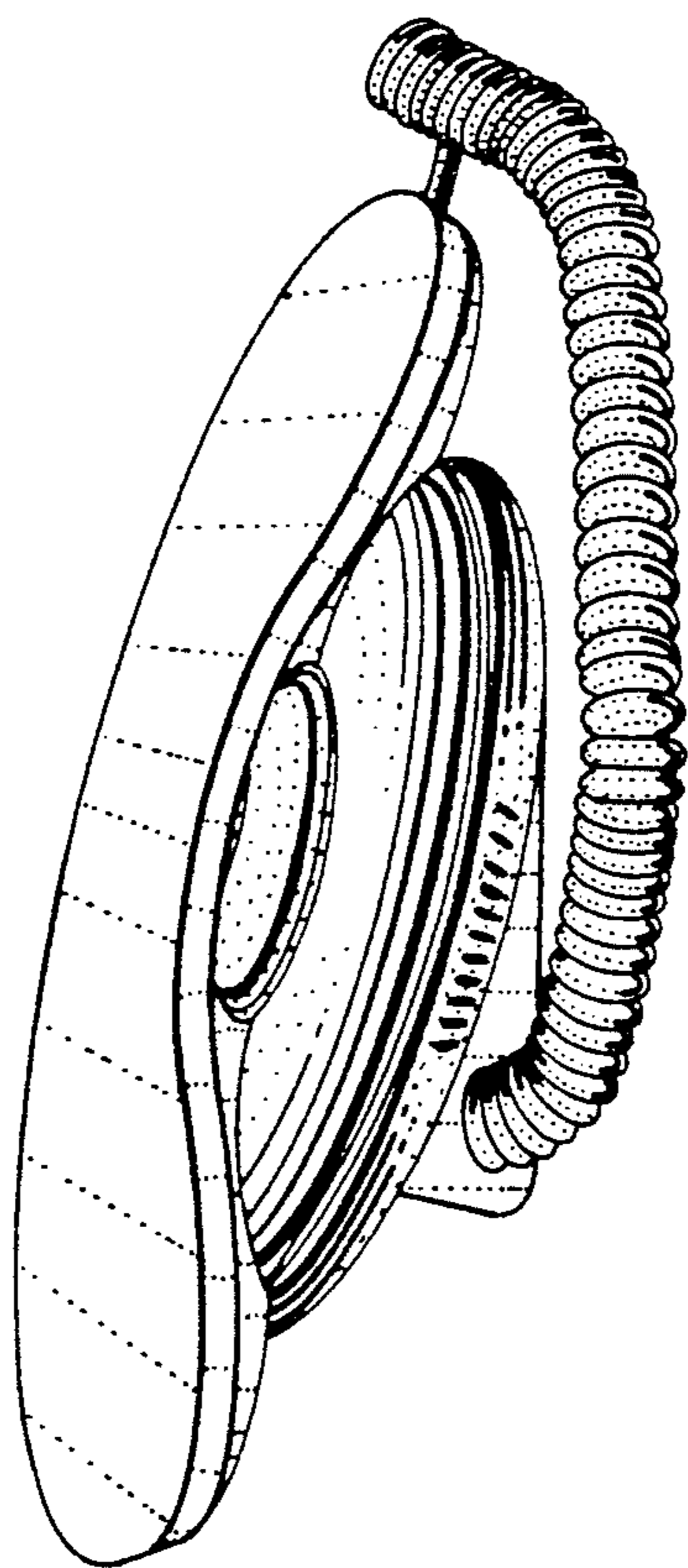






*FIG. 2.*





*FIG. 4.*

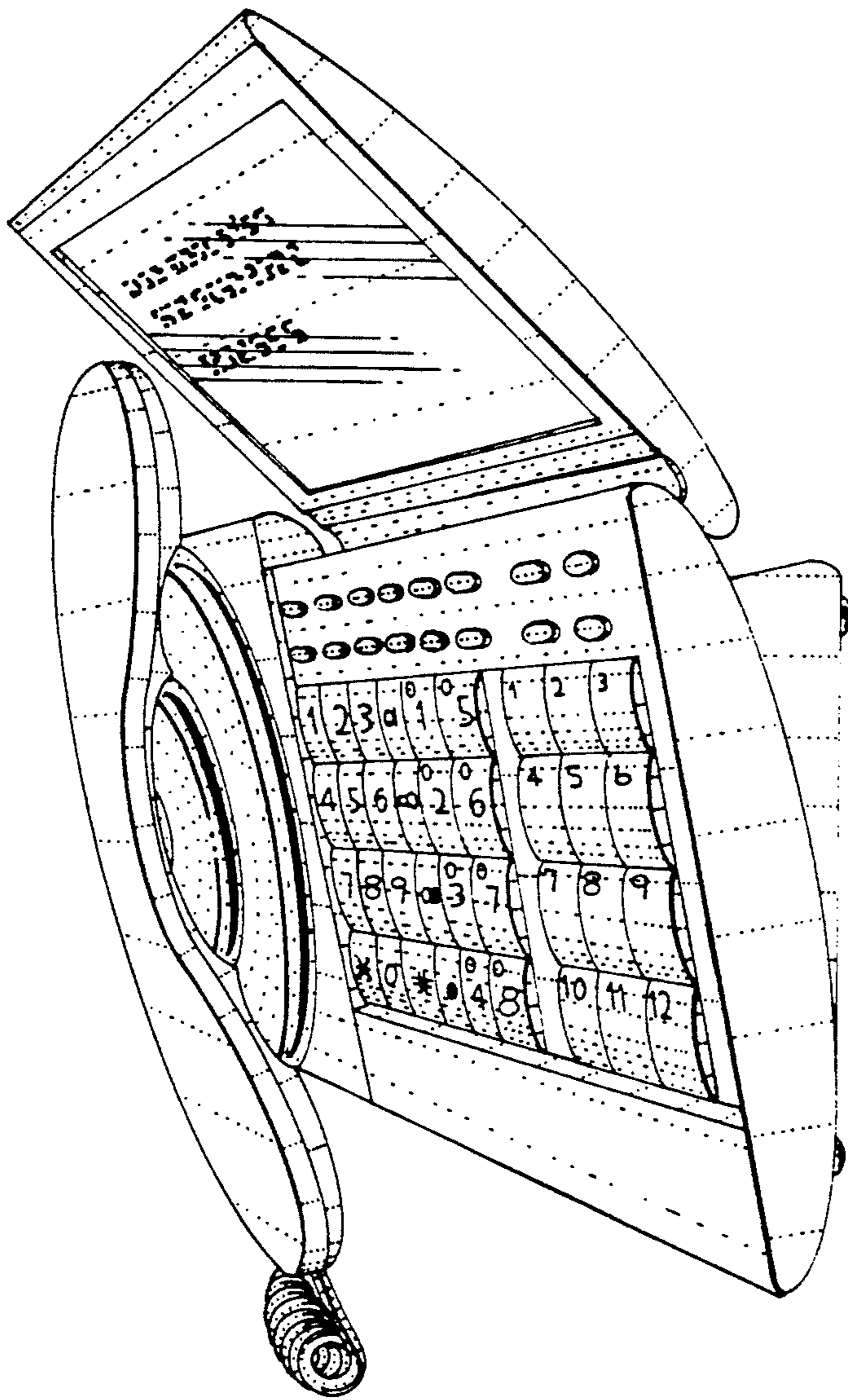
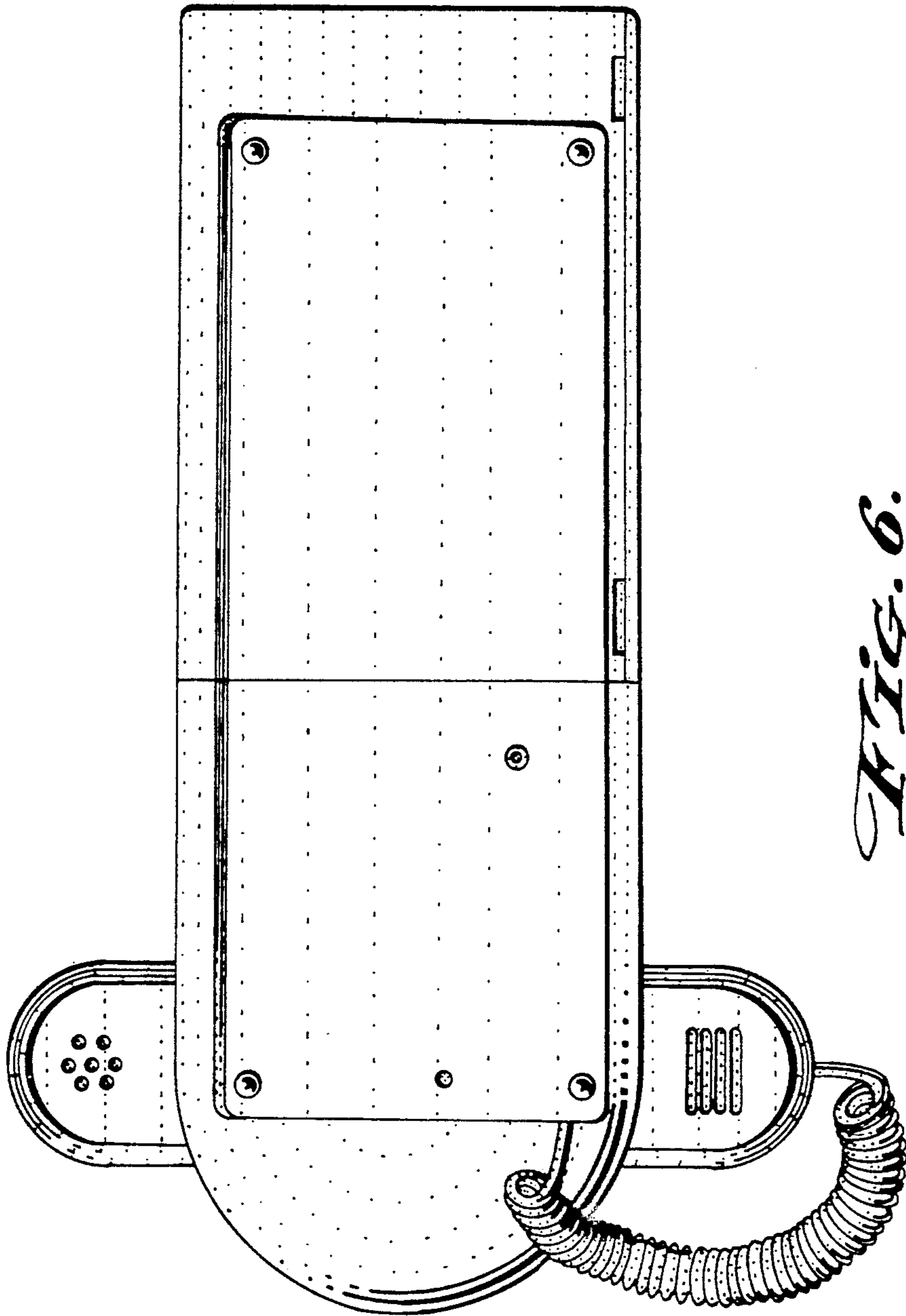


FIG. 5.



*FIG. 6.*

UNITED STATES PATENT AND TRADEMARK OFFICE  
**CERTIFICATE OF CORRECTION**

PATENT NO. : Des. 346,799  
DATED : May 10, 1994  
INVENTOR(S) : Isao Hosoe

It is certified that error appears in the above-identified patent and that said Letters Patent is hereby corrected as shown below:

In the Description of the drawings, delete the entire description of Figs. 4 and 5 of record, and insert the following, therefor:

--Fig. 4 is a left side view of the telephone set with the cover/screen down.

Fig. 5 is a right side view of the telephone set with the cover/screen up;

and,--.

Signed and Sealed this  
Twentieth Day of September, 1994

Attest:



BRUCE LEHMAN

Attesting Officer

Commissioner of Patents and Trademarks