



US00D346794S

United States Patent [19]

[11] Patent Number: **Des. 346,794**

Arakaki et al.

[45] Date of Patent: **** May 10, 1994**

[54] **TRANSACTION SYSTEM CONSOLE**

D. 335,286 5/1993 Savio D14/105
D. 335,381 5/1993 Miyake et al. D18/4 X

[75] Inventors: **James S. Arakaki**, Loomis; **Allan Avnet**, Fountain Valley; **J. Mark Stanton**, San Jose, all of Calif.

Primary Examiner—Wallace R. Burke
Assistant Examiner—Freda S. Nunn
Attorney, Agent, or Firm—Lowell C. Bergstedt

[73] Assignee: **Verifone, Inc.**, Redwood City, Calif.

[**] Term: **14 Years**

[57] **CLAIM**

[21] Appl. No.: **794,165**

The ornamental design for a transaction system console, as shown and described.

[22] Filed: **Nov. 18, 1991**

DESCRIPTION

[52] U.S. Cl. **D14/105; D18/4**

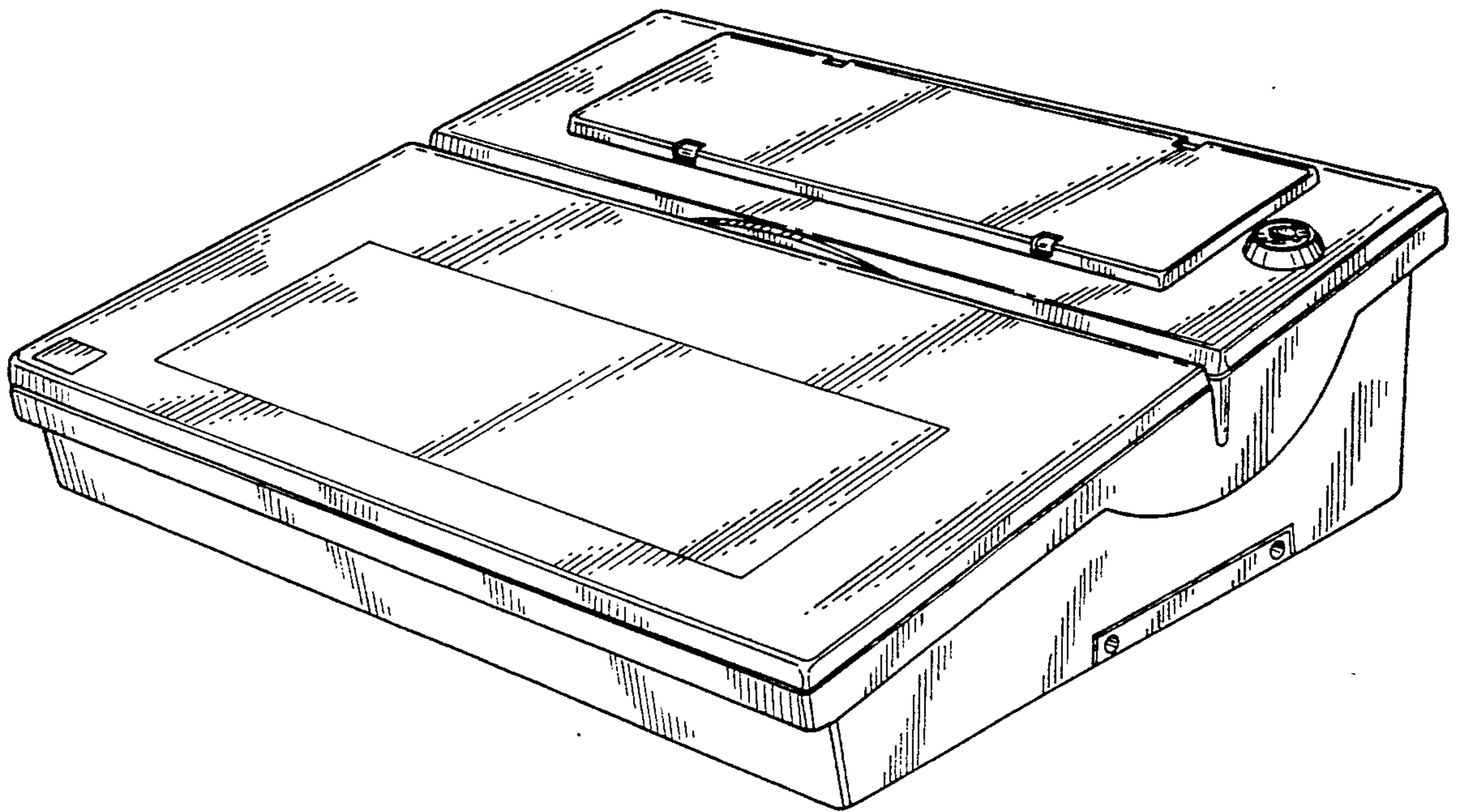
[58] Field of Search 235/145 A, 145 R, 7 R,
235/383; 364/405; 340/700, 706; 194/205;
D14/100, 105, 106, 115; D18/1, 4, 7

FIG. 1 is a perspective view of a transaction system console showing our new design; FIG. 2 is a top plan view thereof; FIG. 3 is a right side view thereof, the left side is identical in appearance and the keys are shown in broken lines for illustrative purposes only and form no part of the claimed design; and, FIG. 4 is a back view thereof.

[56] **References Cited**

U.S. PATENT DOCUMENTS

D. 314,970 2/1991 Tomoike D18/4
D. 330,722 11/1992 Je D18/4



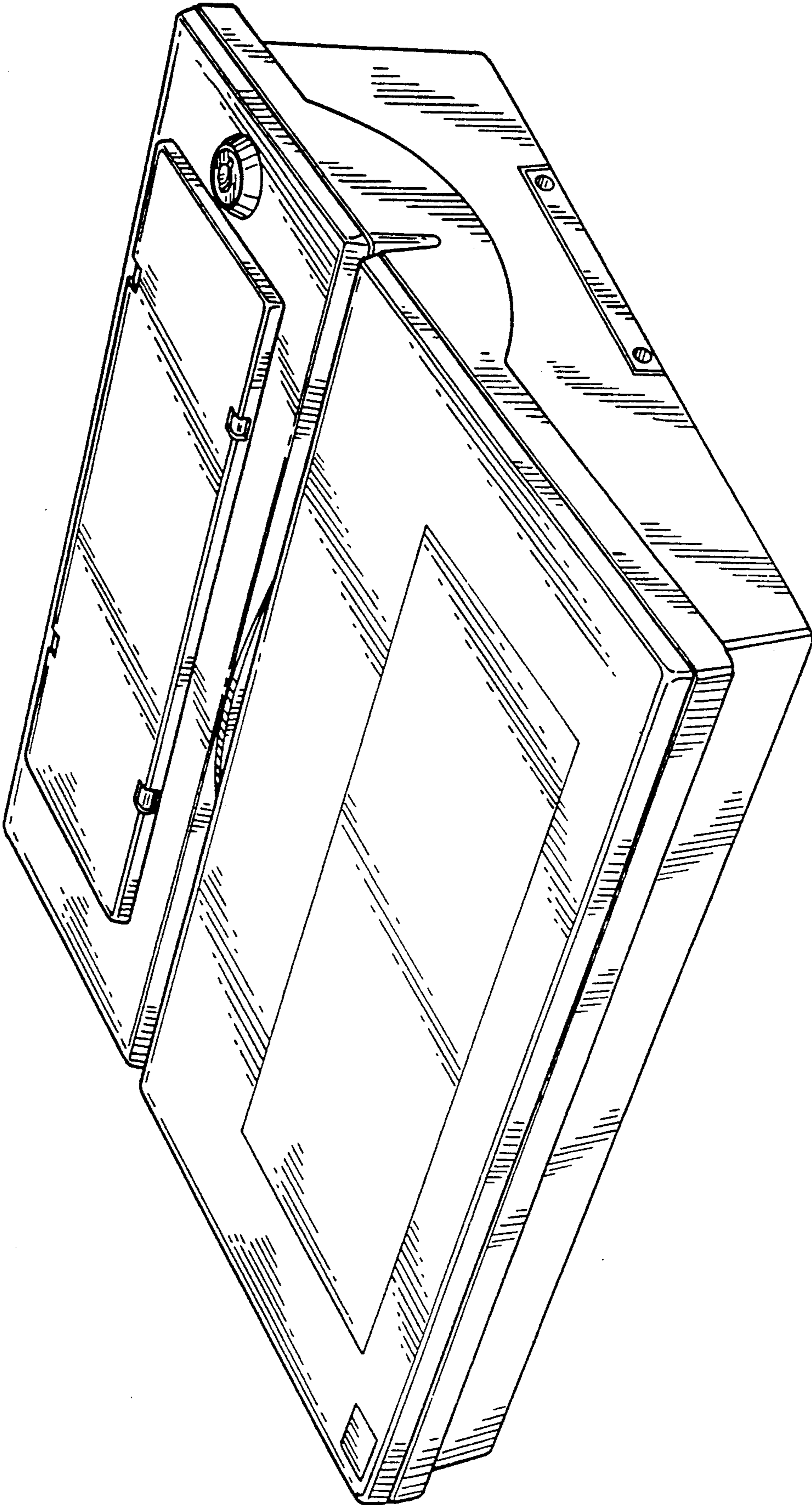


FIG. 1

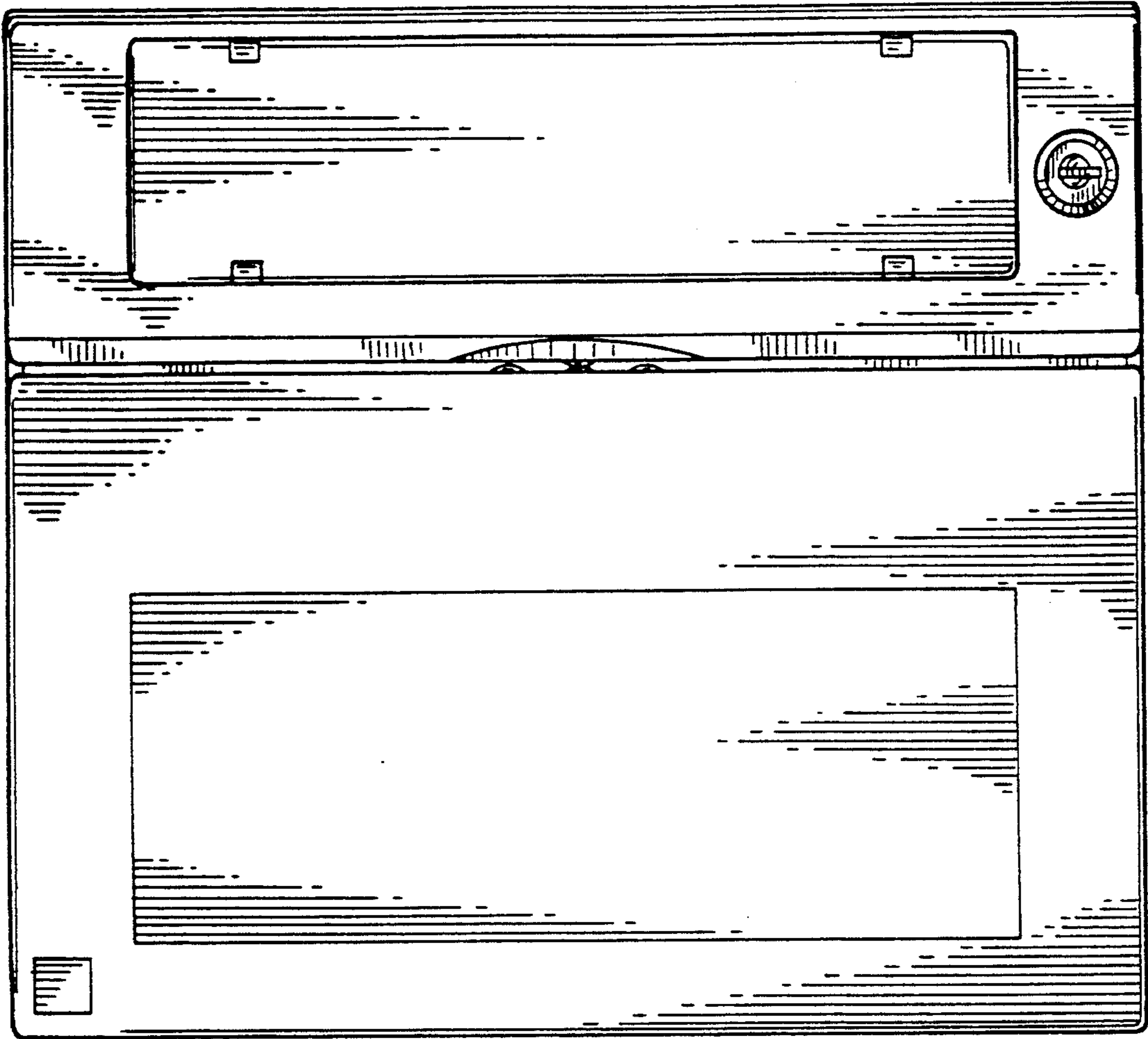


FIG. 2

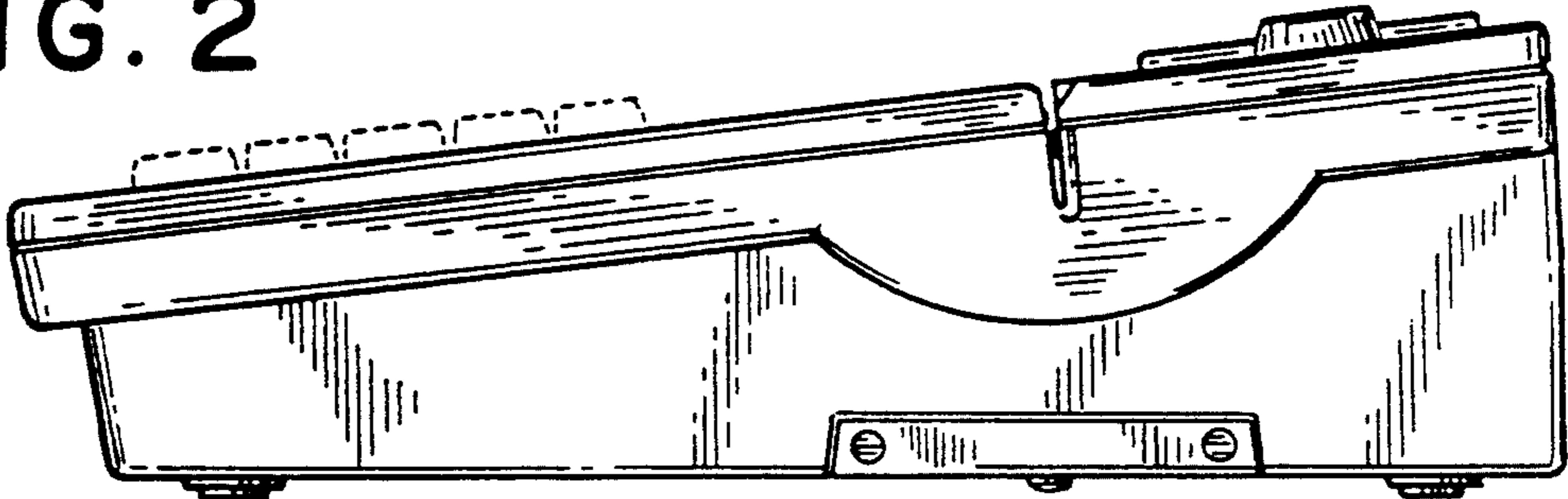


FIG. 3

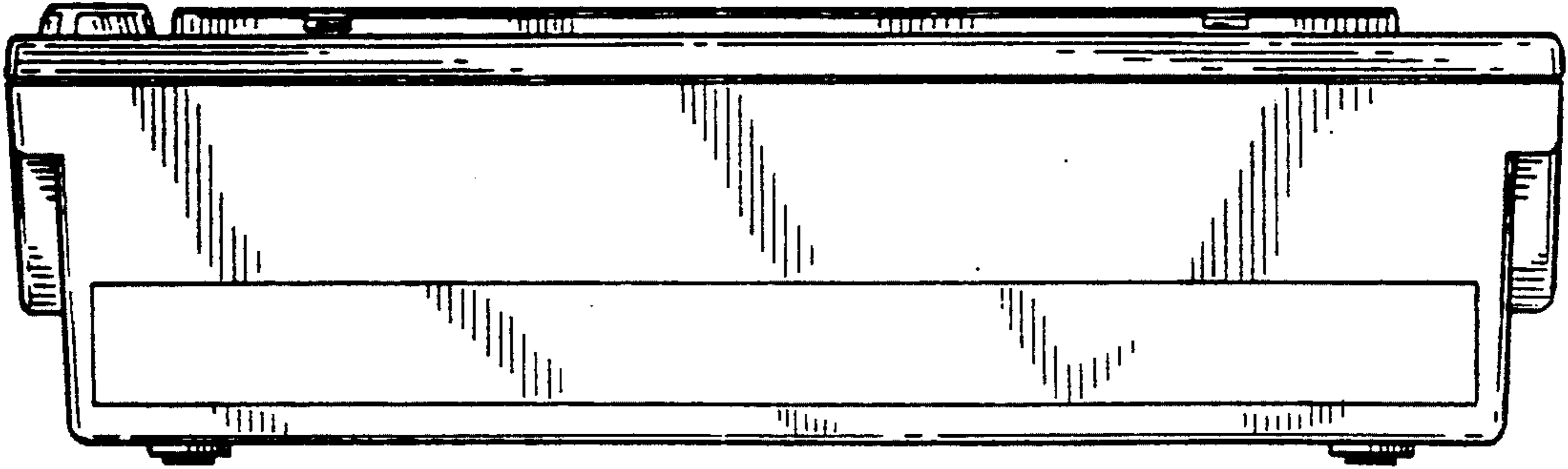


FIG. 4