



US00D346793S

# United States Patent [19]

[11] Patent Number: Des. 346,793

Iino et al.

[45] Date of Patent: \*\* May 10, 1994

## [54] ELECTRONIC COMPUTER

[75] Inventors: **Masaaki Iino**, Yokohama; **Osamu Kondo**, Tokyo, both of Japan

[73] Assignee: **Kabushiki Kaisha Toshiba**, Kanagawa, Japan

[\*\*] Term: **14 Years**

[21] Appl. No.: **952,782**

[22] Filed: **Sep. 30, 1992**

### [30] Foreign Application Priority Data

Apr. 3, 1992 [JP] Japan ..... 4-9733

[52] U.S. Cl. .... **D14/100; D19/52**

[58] Field of Search ..... 340/700, 706; 364/708, 364/709.04; 178/18, 19; D14/100, 106, 113, 105; D18/7; D19/52, 60; D16/225

### [56] References Cited

#### U.S. PATENT DOCUMENTS

- D. 270,061 8/1983 Ackeret ..... D16/225 X
- D. 270,062 8/1983 Ackeret ..... D16/225 X
- D. 270,063 8/1983 Ackeret ..... D16/225 X
- D. 284,966 8/1986 Larkins ..... D14/100
- D. 289,873 5/1987 Gemmell et al. .... D14/113
- D. 290,609 6/1987 Harlan et al. .... D14/100
- D. 298,623 11/1988 Yubisui et al. .... D14/100
- D. 304,930 12/1989 Hongo et al. .... D14/100
- D. 315,549 3/1991 Clough et al. .... D14/100
- D. 315,895 4/1991 Paine et al. .... D14/100
- D. 317,151 5/1991 Daly ..... D14/100
- D. 319,433 8/1991 Pearce ..... D14/105 X
- D. 324,035 2/1992 Izaki ..... D14/100
- D. 324,673 3/1992 Iino ..... D14/106
- D. 332,776 1/1993 Kelly et al. .... D14/100
- D. 337,569 7/1993 Kando ..... D14/113 X

## FOREIGN PATENT DOCUMENTS

- M9007488 7/1991 Fed. Rep. of Germany .
- 9006876 8/1991 Fed. Rep. of Germany .
- M9103658 2/1992 Fed. Rep. of Germany .
- 747028 10/1988 Japan .
- 803268 12/1990 Japan .

## OTHER PUBLICATIONS

- "Pen-style"—Sanyo undated.
- "N6919-100H"—NEC.
- "Touch—panel"—Canon, on "Dempa Shimbun", dated Jan. 18, 1991.
- "Pen-Style"—Grid System, on "Dempa Shimbun", dated Mar. 27, 1989.

*Primary Examiner*—Wallace R. Burke  
*Assistant Examiner*—Freda S. Nunn  
*Attorney, Agent, or Firm*—Banner, Birch, McKie & Beckett

## [57] CLAIM

The ornamental design for an electronic computer, as shown and described.

## DESCRIPTION

FIG. 1 is a top, front and right side perspective view of an electronic computer showing my new design; FIG. 2 is a front elevational view thereof; FIG. 3 is a rear elevational view thereof; FIG. 4 is a left side elevational view thereof; FIG. 5 is a top plan view thereof; FIG. 6 is a bottom plan view thereof; FIG. 7 is a top rear and left side perspective view thereof showing the lid of the memory card connector in an opened position; FIG. 8 is a top plan view thereof showing the display in a word processor mode; FIG. 9 is a top plan view thereof showing the display in a table calculation mode; and, FIG. 10 is a top plan view thereof showing the display in a memorandum mode.

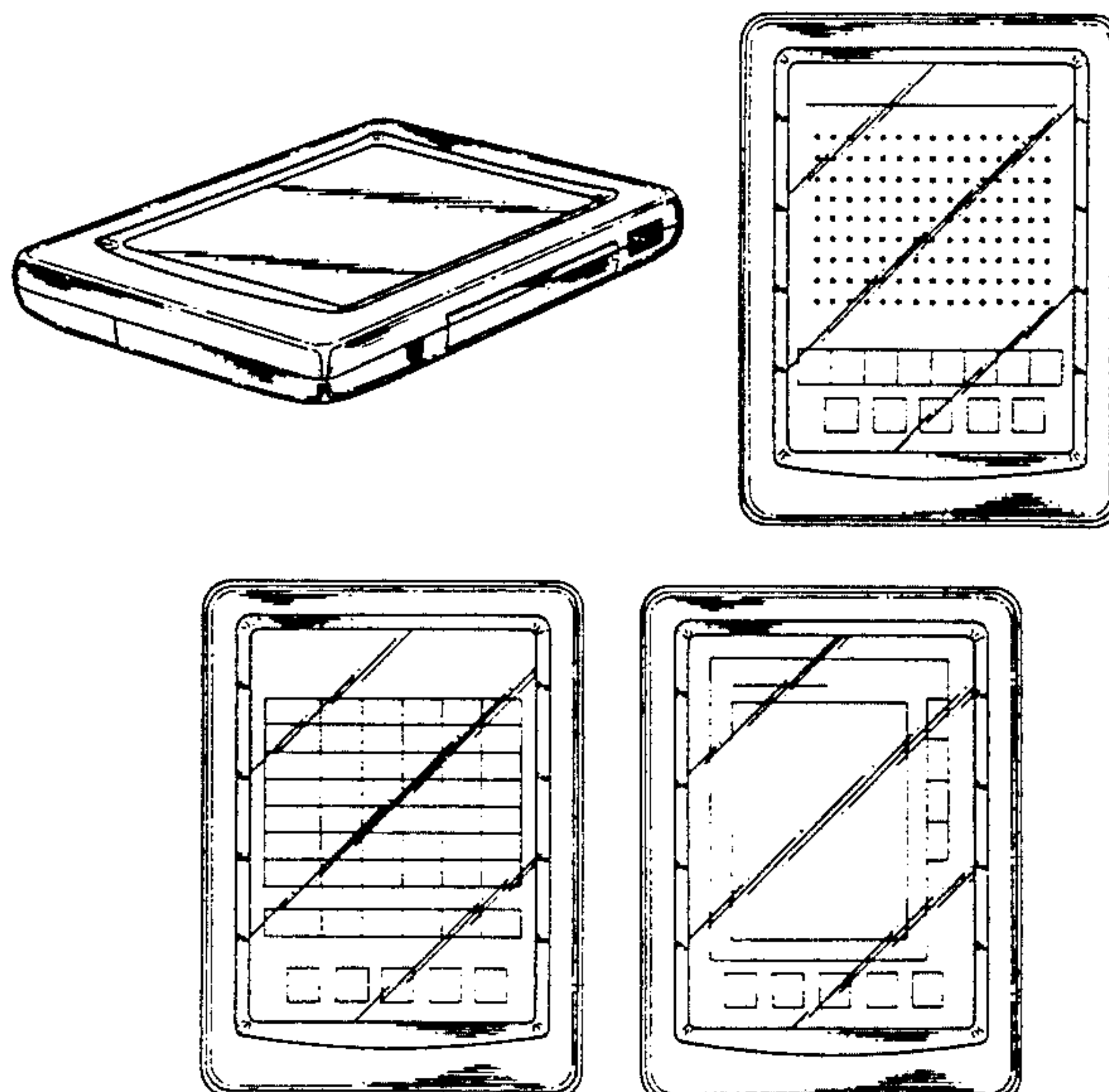


FIG. 1

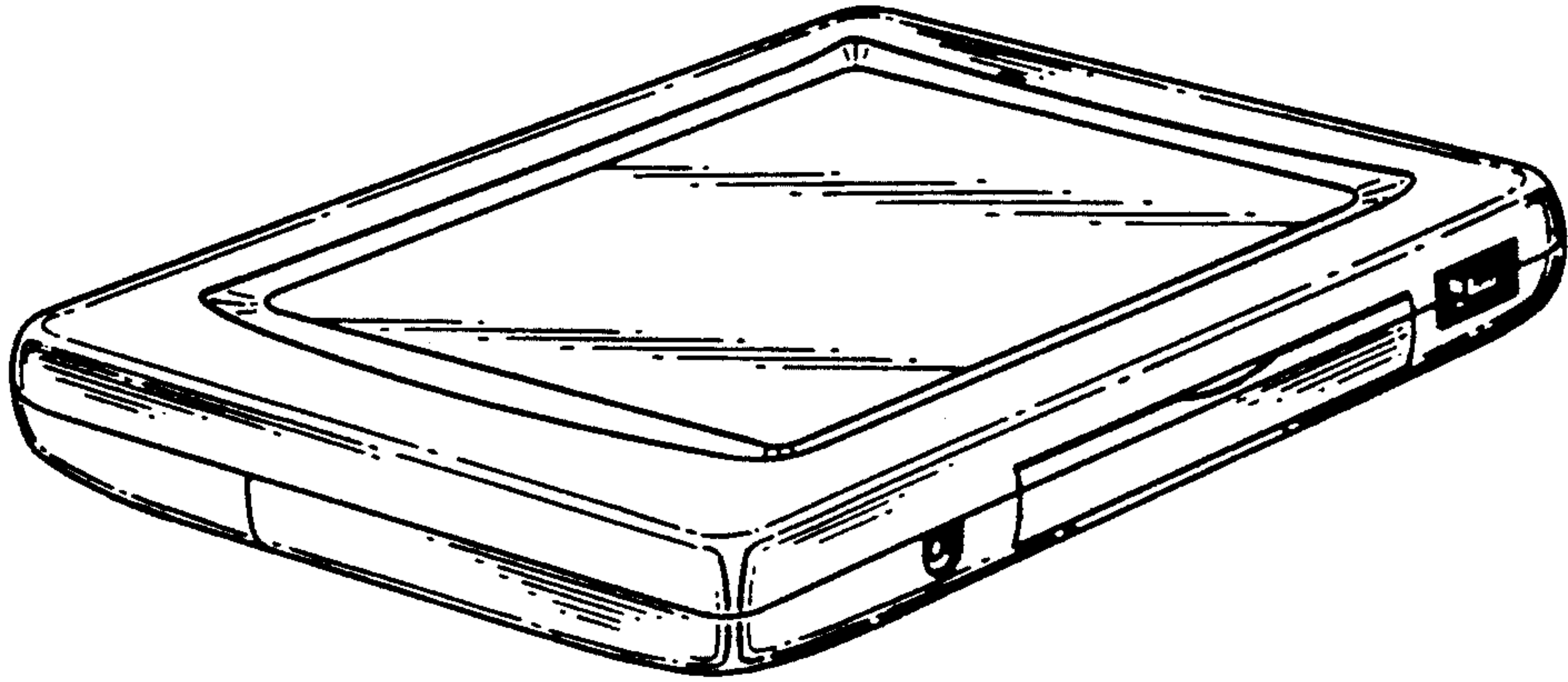


FIG. 2

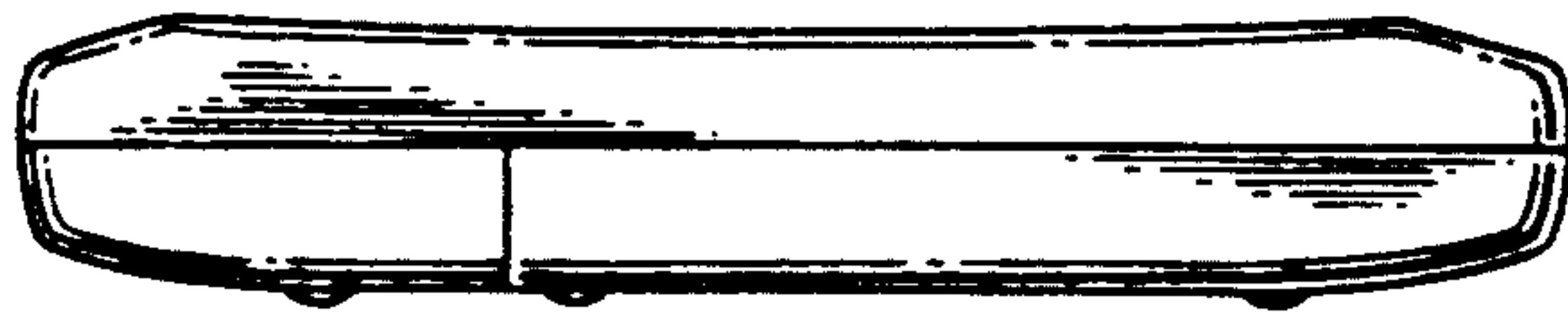


FIG. 3



FIG. 4

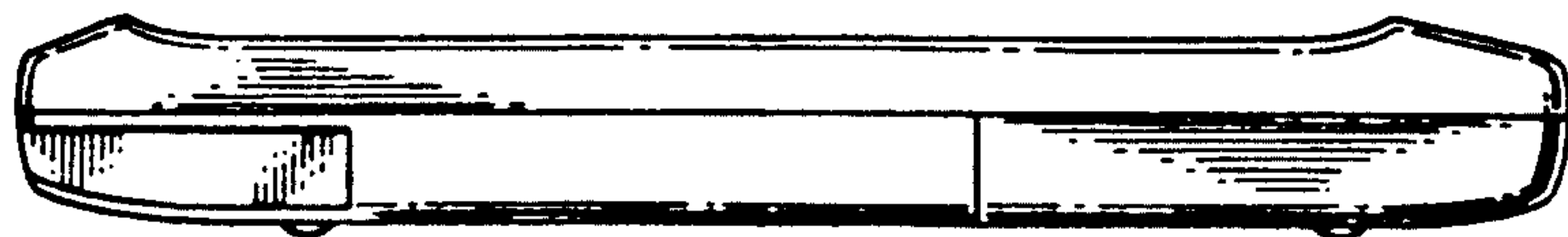


FIG.5

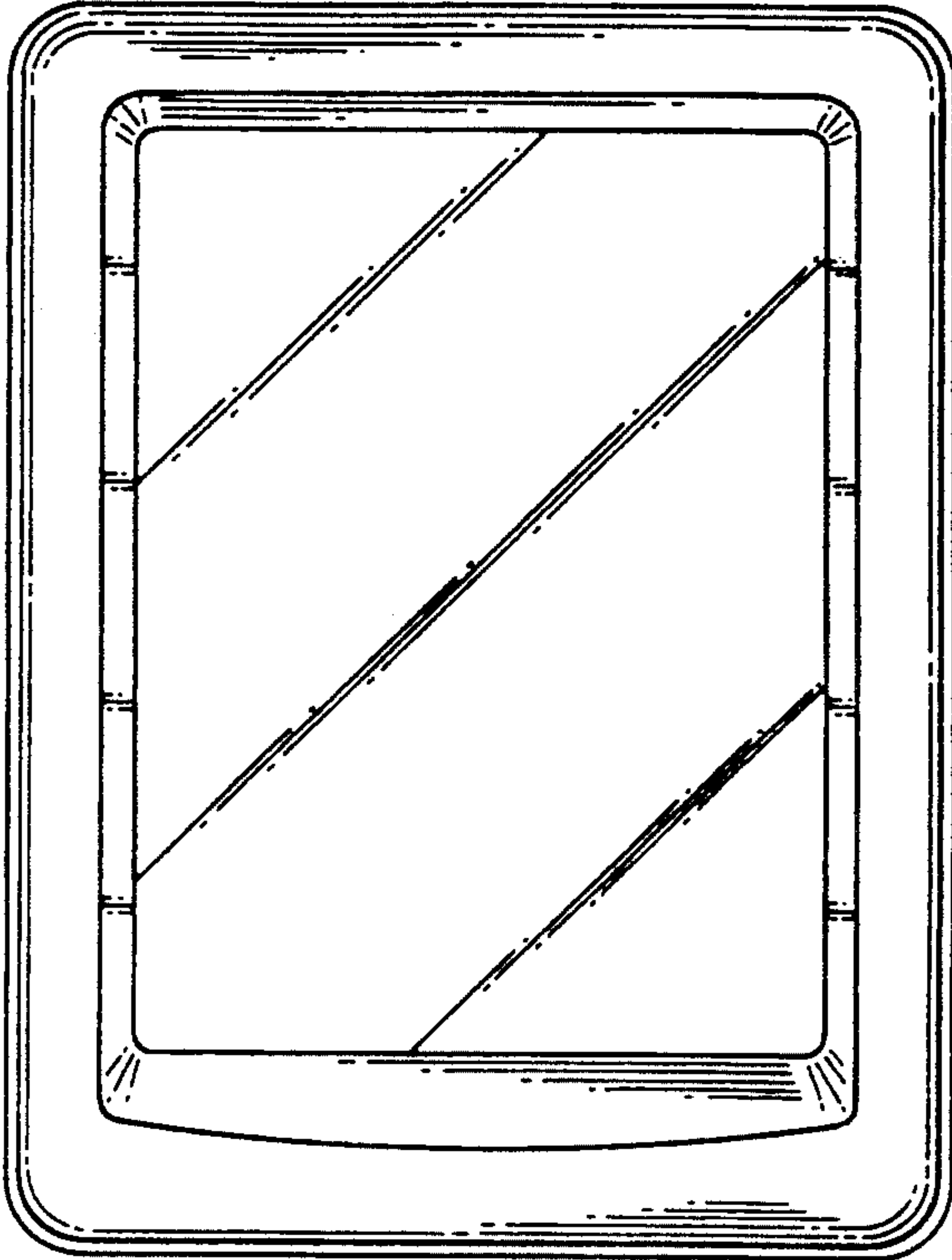


FIG.6

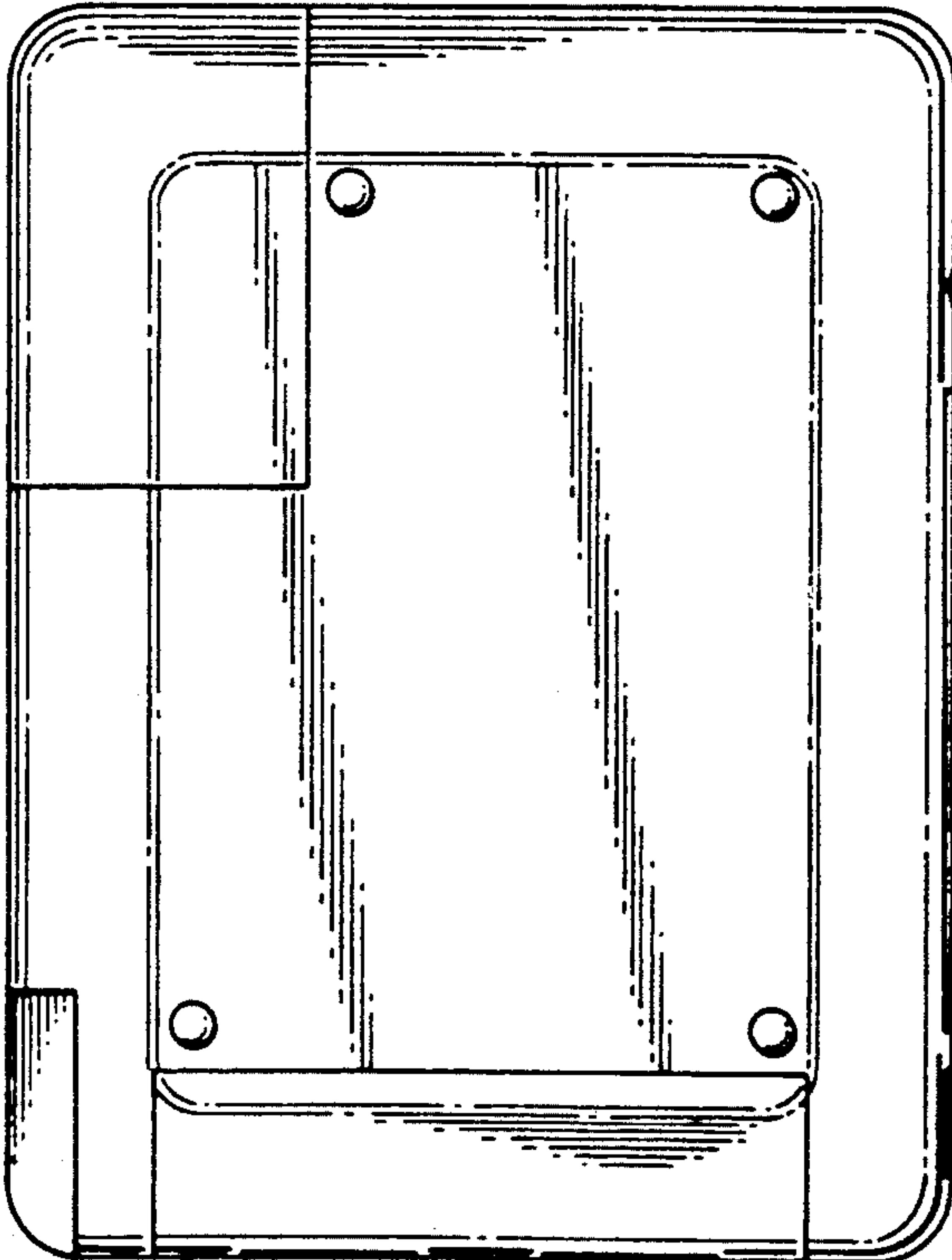




FIG. 7

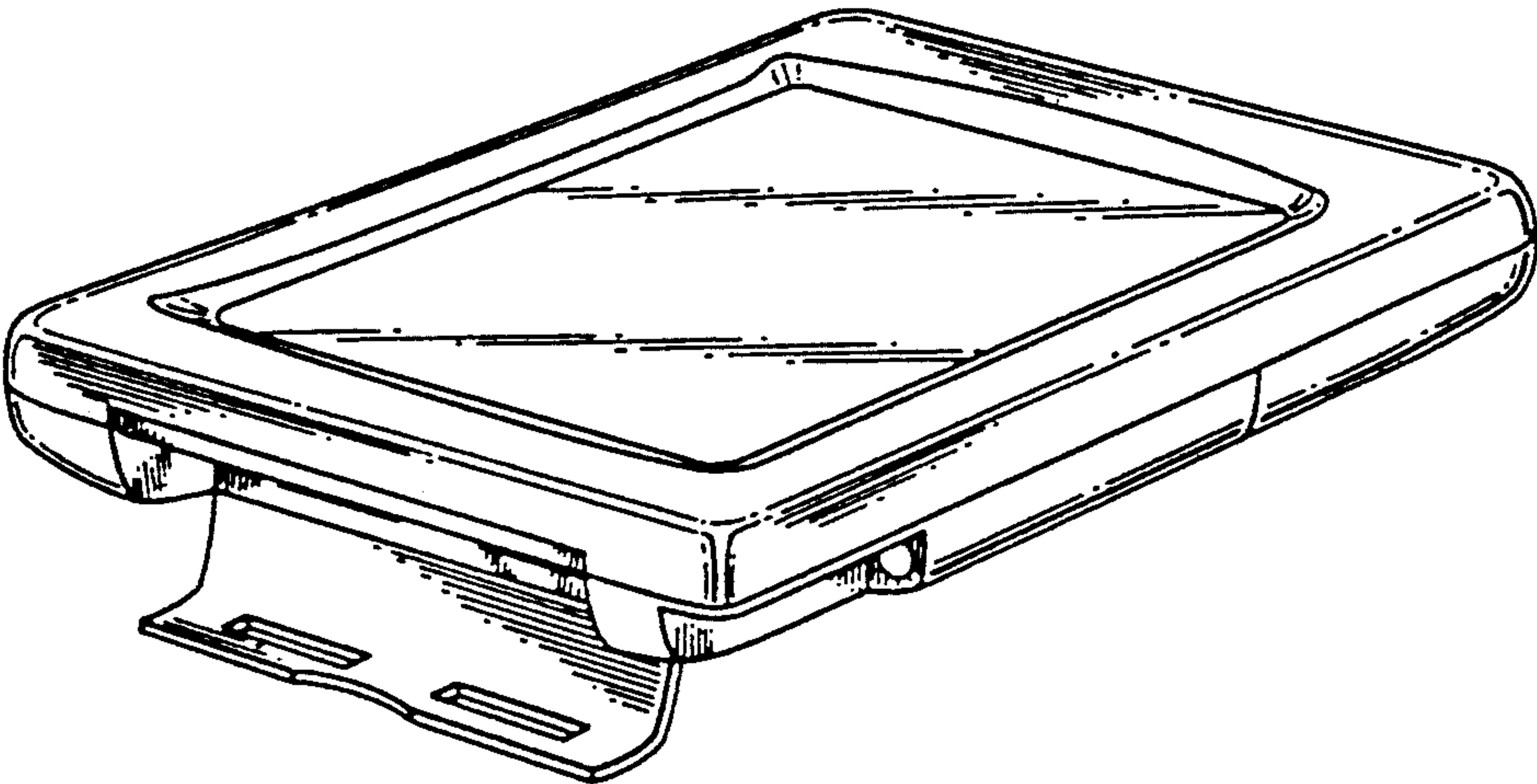


FIG. 8

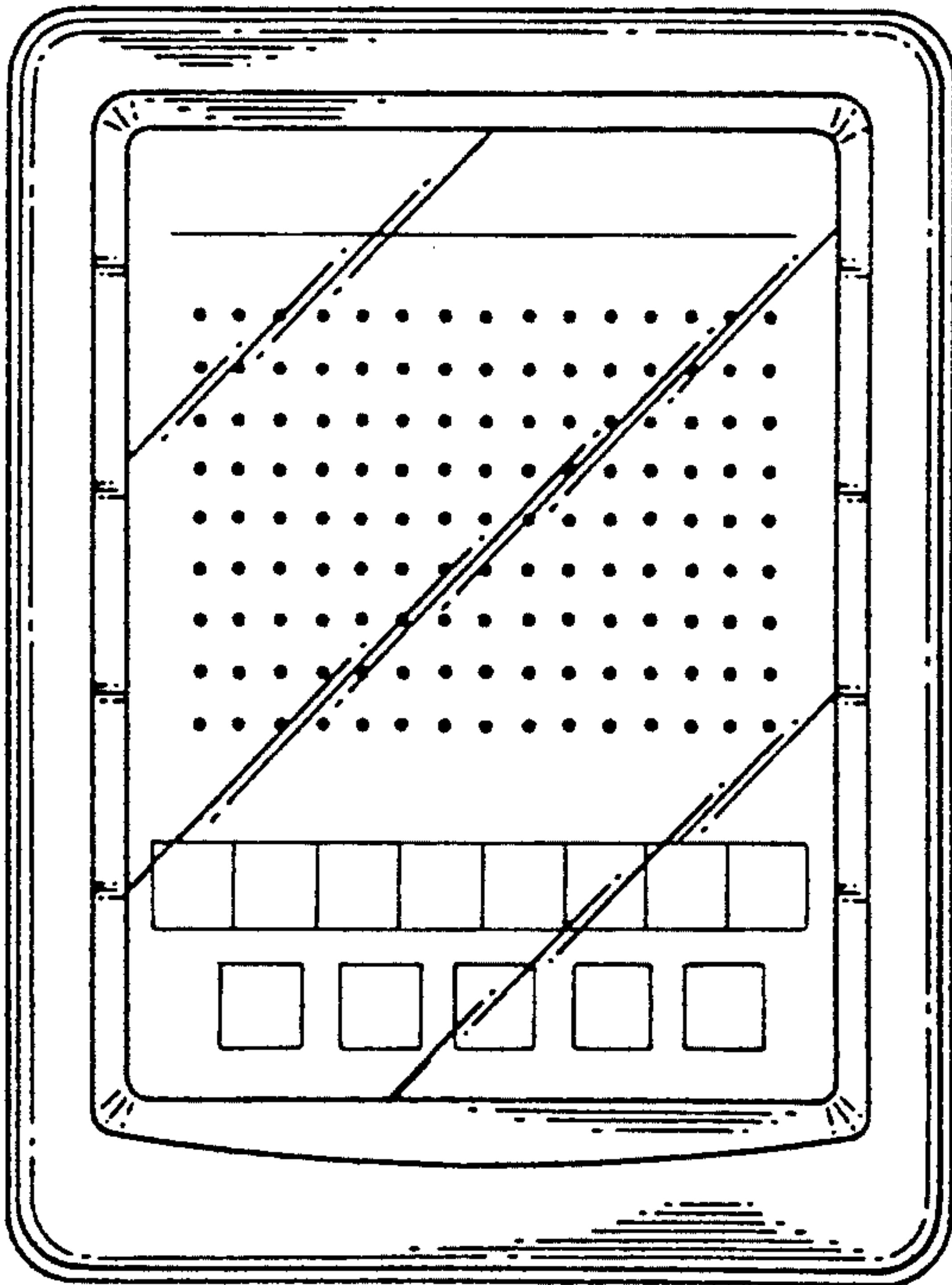


FIG.9

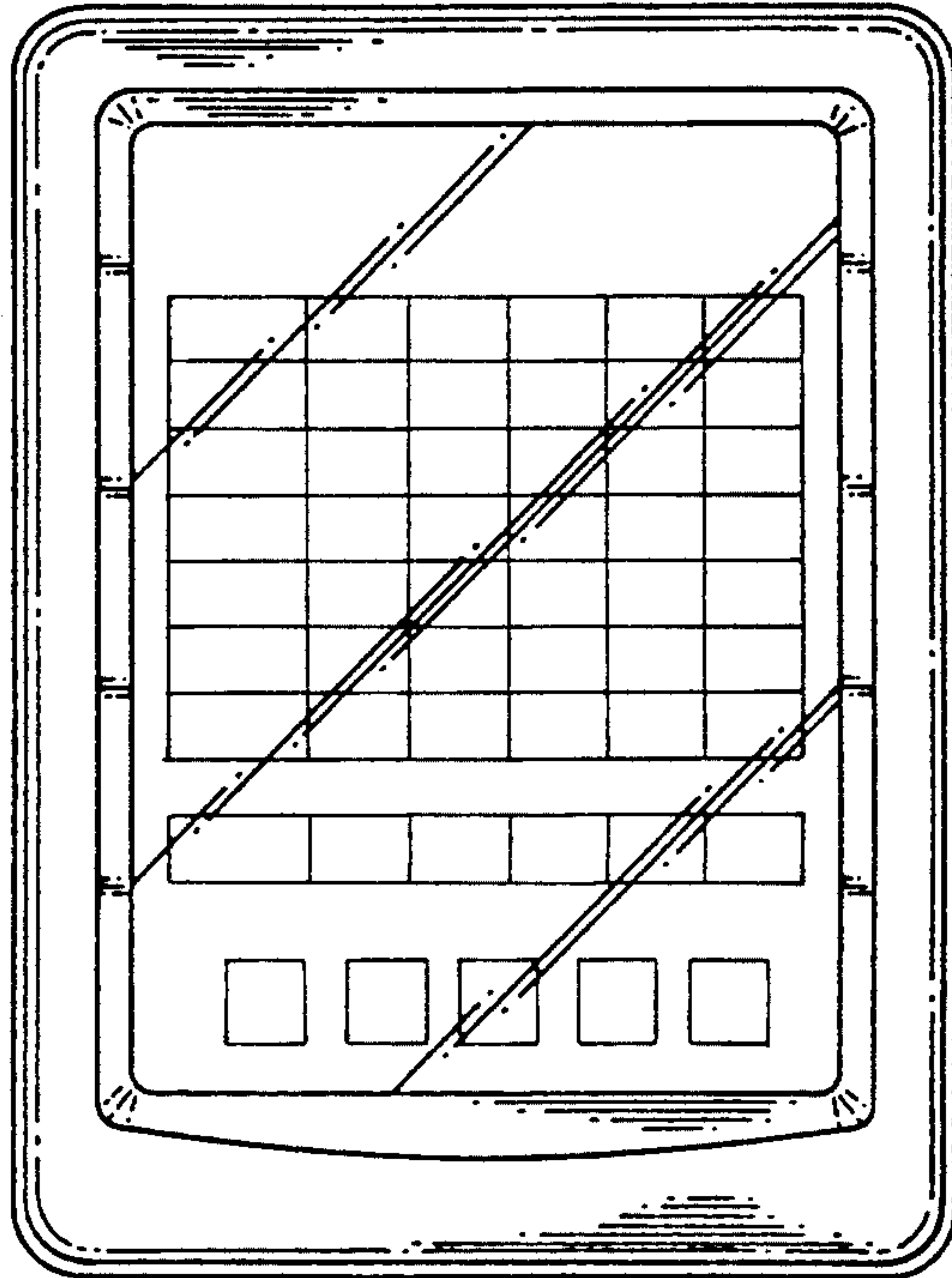


FIG.10

