



US00D346792S

United States Patent [19]

[11] Patent Number: **Des. 346,792**

Tessmer

[45] Date of Patent: **** May 10, 1994**

[54] UPPER HOUSING OF AN ELECTRICAL SERVICE PEDESTAL

[75] Inventor: **Wallace D. Tessmer**, Sacramento, Calif.

[73] Assignee: **Tesco Controls, Inc.**, Sacramento, Calif.

[**] Term: **14 Years**

[21] Appl. No.: **5,373**

[22] Filed: **Mar. 2, 1993**

[52] U.S. Cl. **D13/184**

[58] Field of Search 174/50, 52.1, 60, 67;
361/600, 602, 641; 220/3.8, 4.02, 242;
D13/164, 184

[56] References Cited

U.S. PATENT DOCUMENTS

D. 272,304	1/1984	Palermo et al.	D13/184 X
D. 278,998	5/1985	Eckstedt et al.	D13/164
D. 300,426	3/1989	Lotz	D13/184 X
1,884,000	10/1932	Lewis	361/641 X
3,753,047	8/1973	Shallbetter	174/60 X
3,906,295	9/1975	Tessmer	174/52 R X
4,963,696	10/1990	Owen et al.	174/50
4,972,289	11/1990	Springer	361/602 X

OTHER PUBLICATIONS

Pedestals on pp. 14 and 15 of *CWY Electronics* Jun. 1986 catalog.

Electrical enclosures on pp. 92 and 93 of *bennett Brass & Copper* 1987 catalog.

Primary Examiner—Wallace R. Burke

Assistant Examiner—Joel Sincavage

Attorney, Agent, or Firm—Mark C. Jacobs

[57] CLAIM

The ornamental design for a upper housing of an electrical service pedestal, as shown and described.

DESCRIPTION

FIG. 1 is a left, front perspective view of an upper housing of an electrical service pedestal showing my new design. The broken line showing throughout the drawings is included for the purpose of illustrating environmental elements only and forms no part of the claimed design;

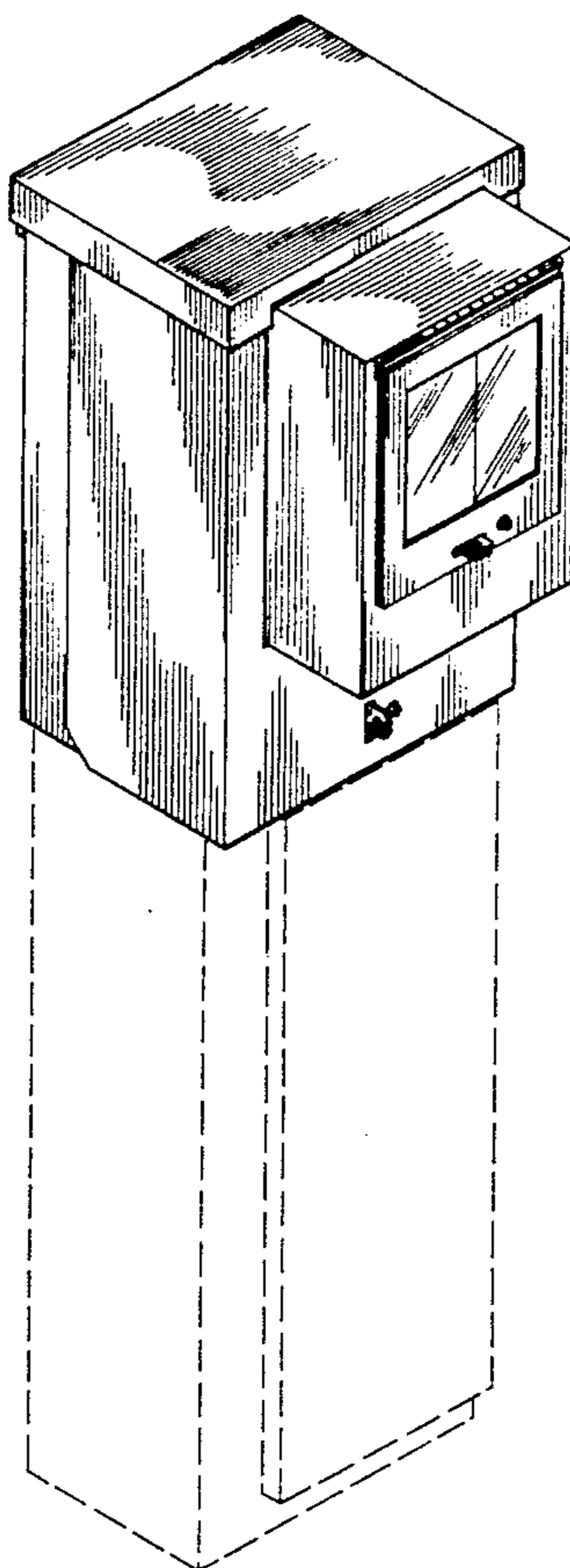
FIG. 2 is a right side elevational view;

FIG. 3 is a rear elevation view;

FIG. 4 is a top plan view thereof;

FIG. 5 is a bottom plan view thereof; and,

FIG. 6 is a close-up left front perspective view thereof shown with the covers of both portions in the open position.



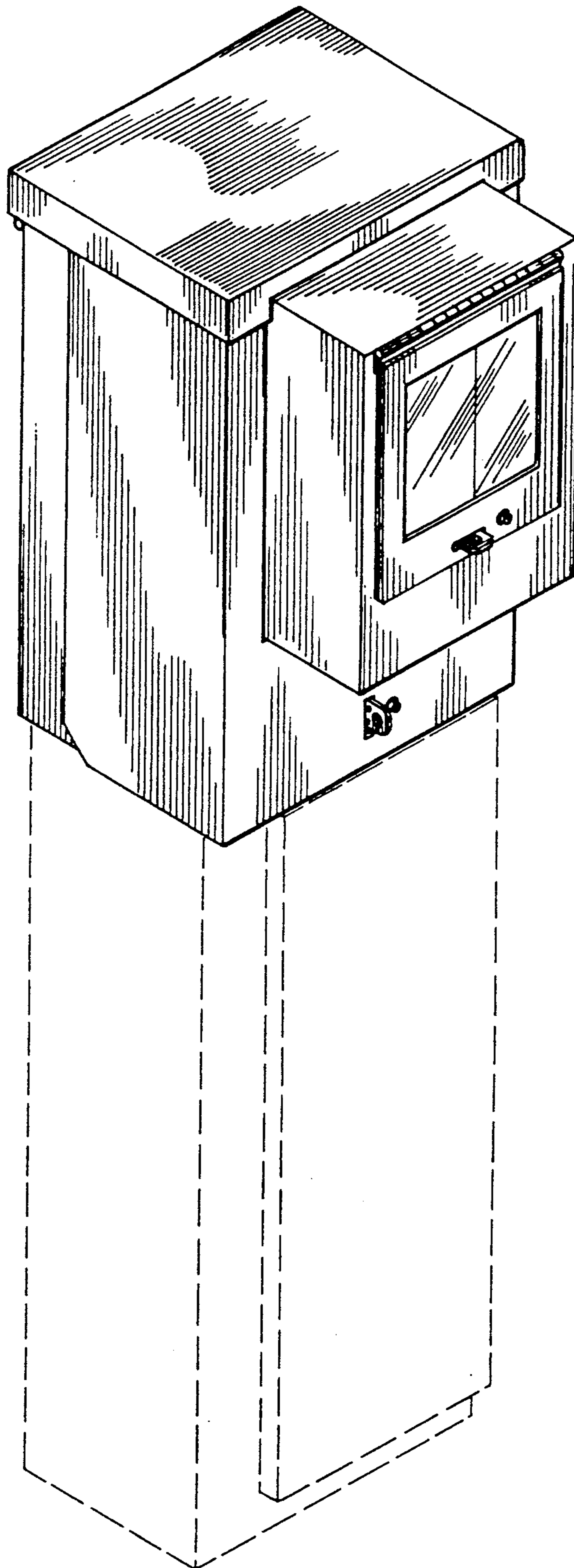


FIG. 1

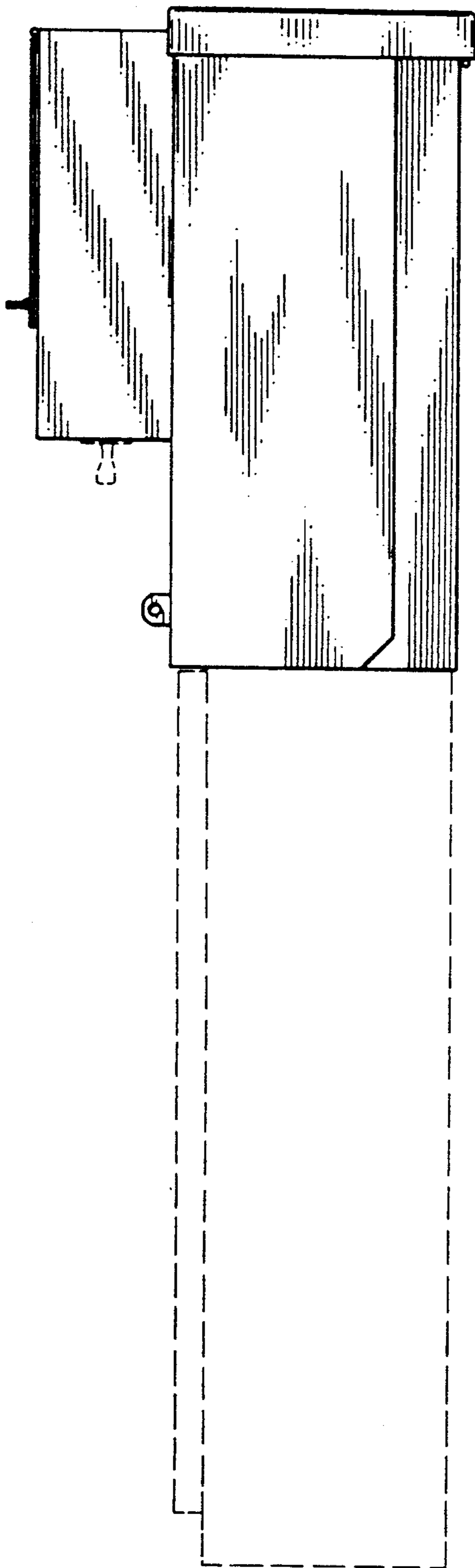


FIG. 2

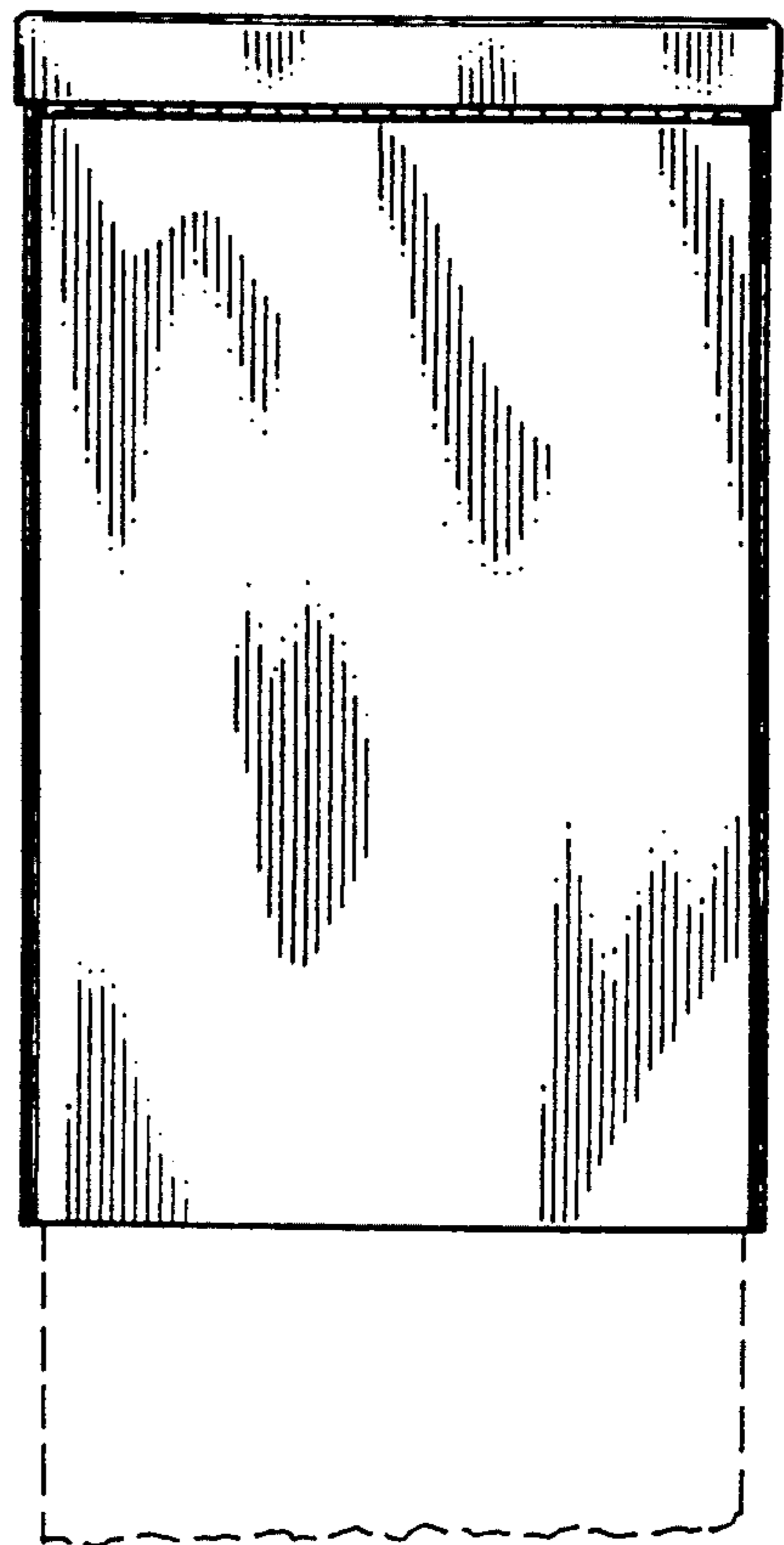


FIG. 3

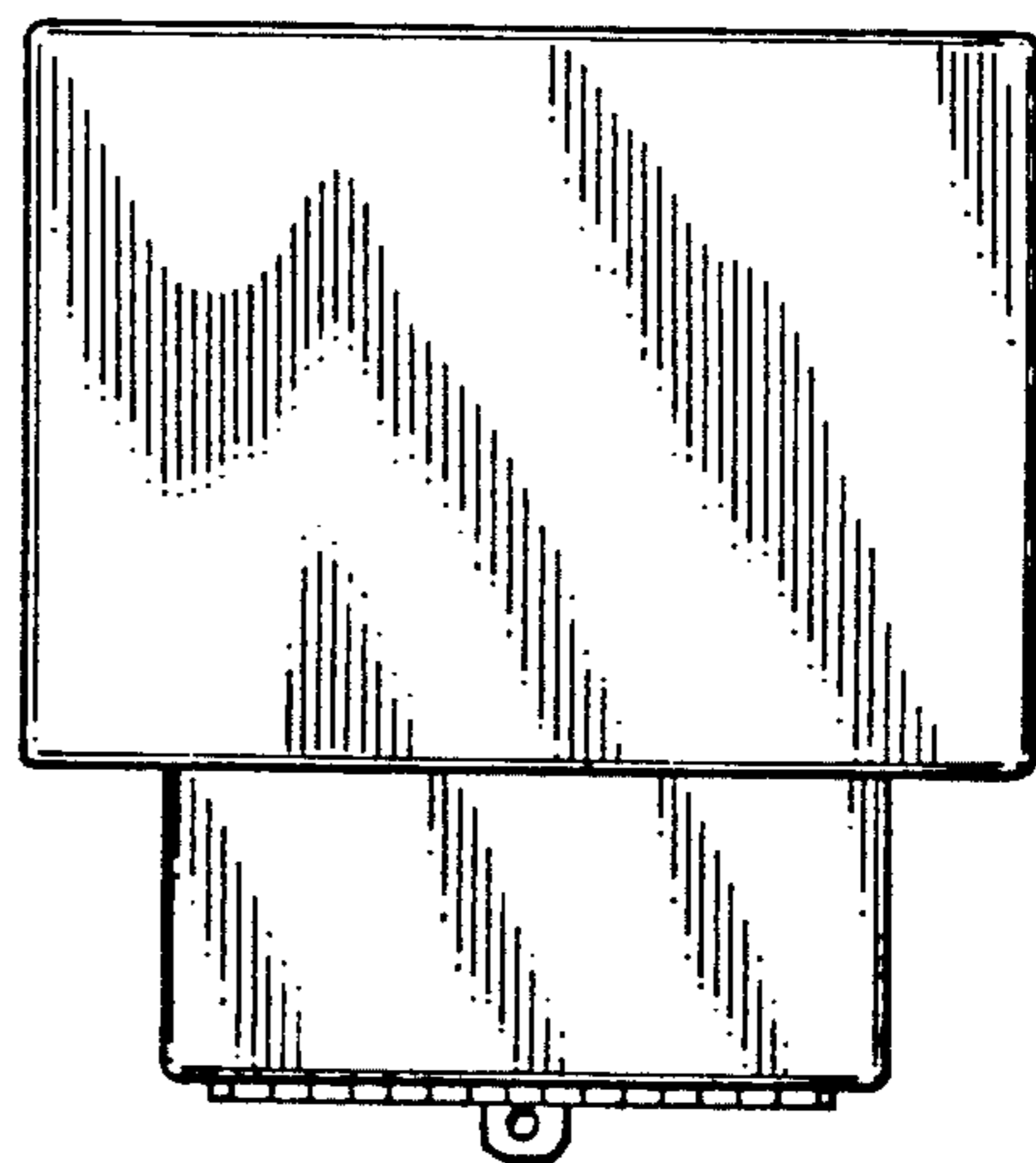


FIG. 4

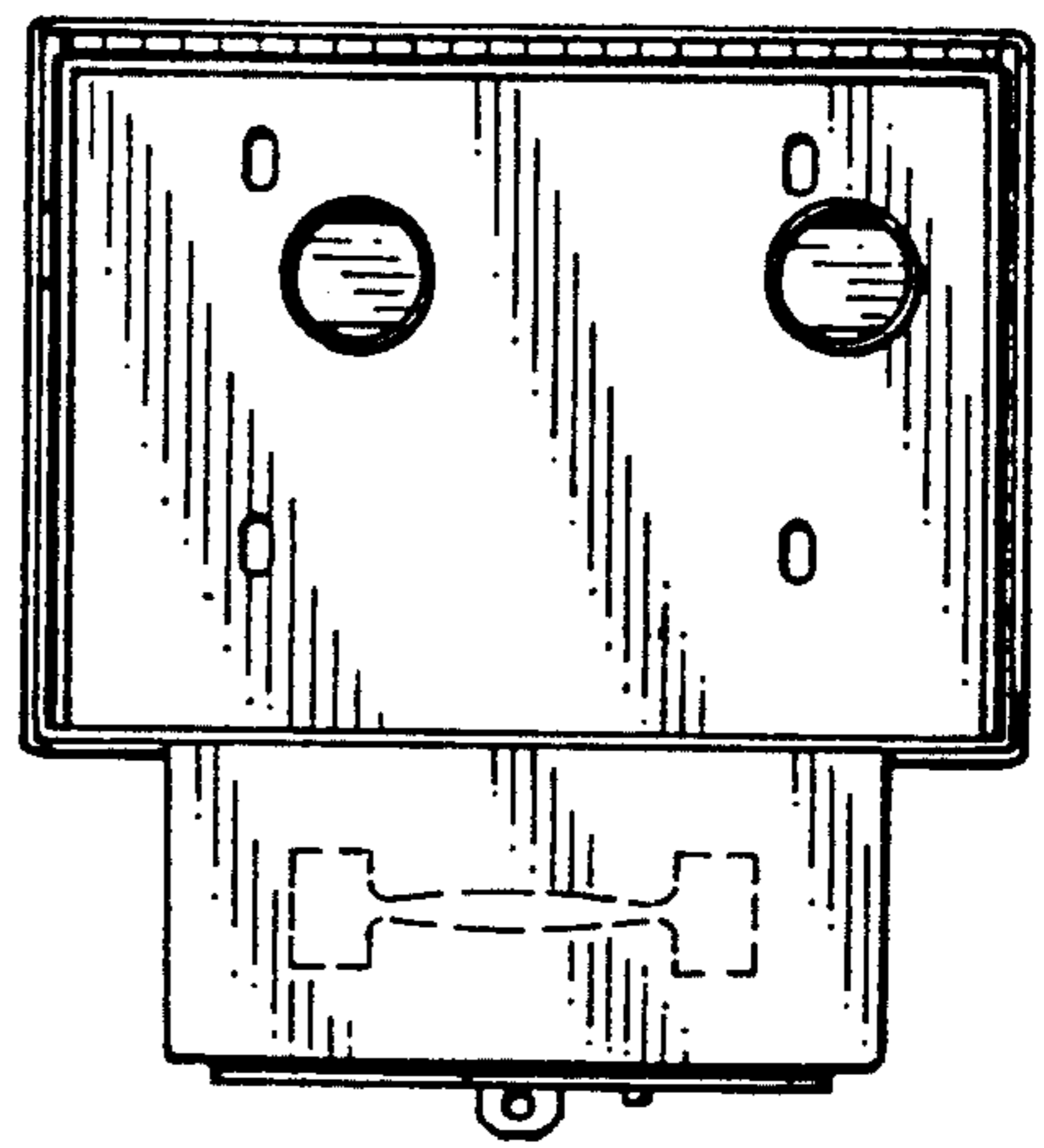
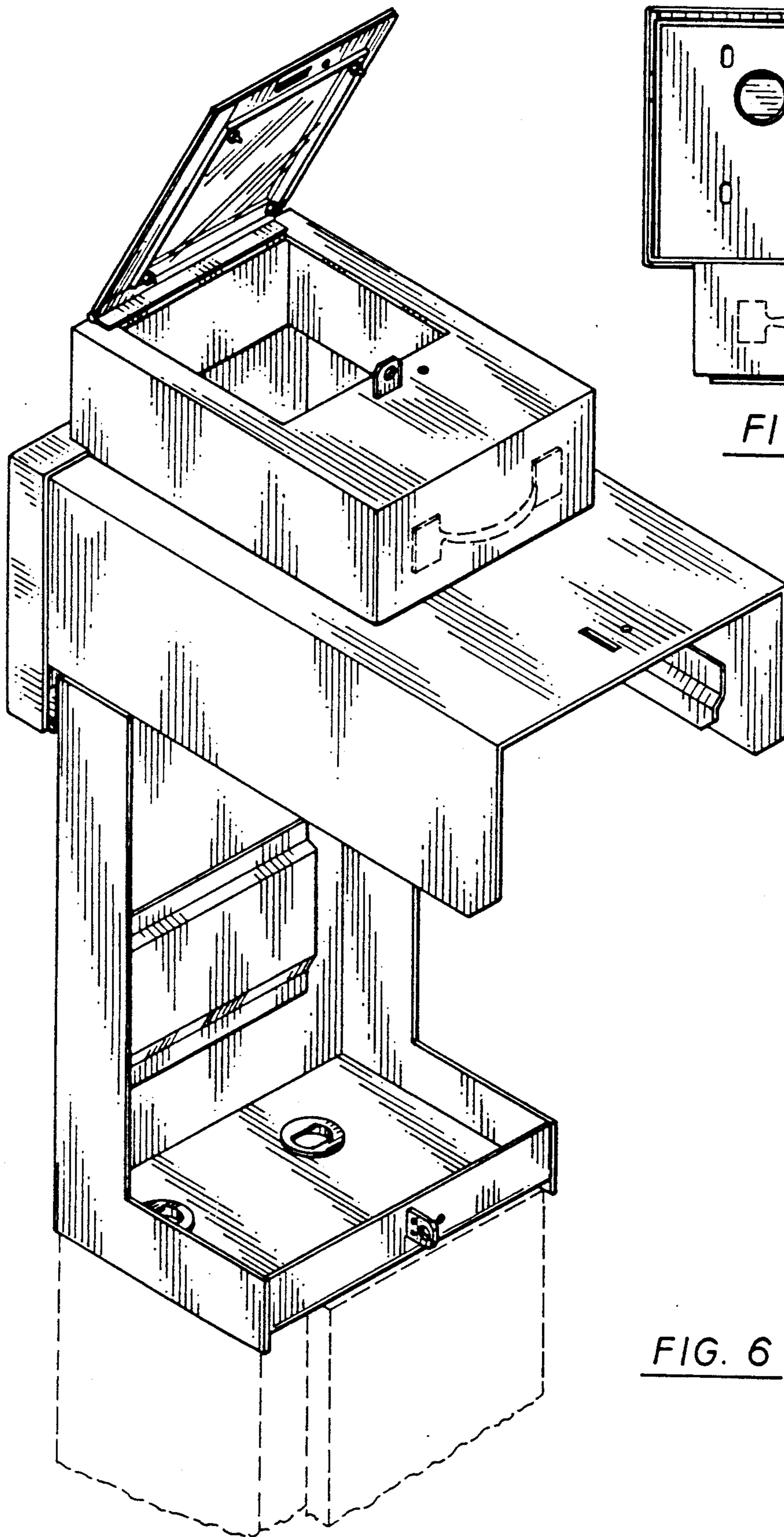


FIG. 5

FIG. 6