



US00D346791S

# United States Patent [19]

[11] Patent Number: **Des. 346,791**

Marach et al.

[45] Date of Patent: **\*\* May 10, 1994**

## [54] FUSED ELECTRICAL POWER DISCONNECT

[75] Inventors: **David R. Marach**, Marengo; **Conrad Alfaro**, Chicago; **Lawrence Happ**, Mundelein, all of Ill.

[73] Assignee: **Cooper Industries, Inc.**, Houston, Tex.

[\*\*] Term: **14 Years**

[21] Appl. No.: **788,731**

[22] Filed: **Nov. 5, 1991**

[52] U.S. Cl. .... **D13/160**

[58] Field of Search ..... 361/124, 186, 331, 348,  
361/356, 102, 119; 337/4, 6, 10; D13/160, 178,  
158

### [56] References Cited

#### U.S. PATENT DOCUMENTS

|            |         |               |       |           |
|------------|---------|---------------|-------|-----------|
| D. 313,397 | 1/1991  | Wilcox        | ..... | D13/158   |
| D. 320,783 | 10/1991 | Sharp et al.  | ..... | D13/160   |
| 3,806,845  | 4/1974  | Zubaty et al. | ..... | 361/102 X |
| 4,654,743  | 3/1987  | Ruehl et al.  | ..... | 361/119 X |
| 4,958,254  | 9/1990  | Kidd et al.   | ..... | 361/119   |

## FOREIGN PATENT DOCUMENTS

0266966 12/1968 Fed. Rep. of Germany ..... 337/10

*Primary Examiner*—Wallace R. Burke

*Assistant Examiner*—Joel Sincavage

*Attorney, Agent, or Firm*—Laff, Whitesel, Conte & Saret

## [57] CLAIM

The ornamental design for fused electrical power disconnect, as shown and described.

## DESCRIPTION

FIG. 1 is a front perspective view of a fused electrical power disconnect;

FIG. 2 is a rear perspective view thereof;

FIG. 3 is a front elevation view thereof;

FIG. 4 is a right-hand-side elevation view thereof;

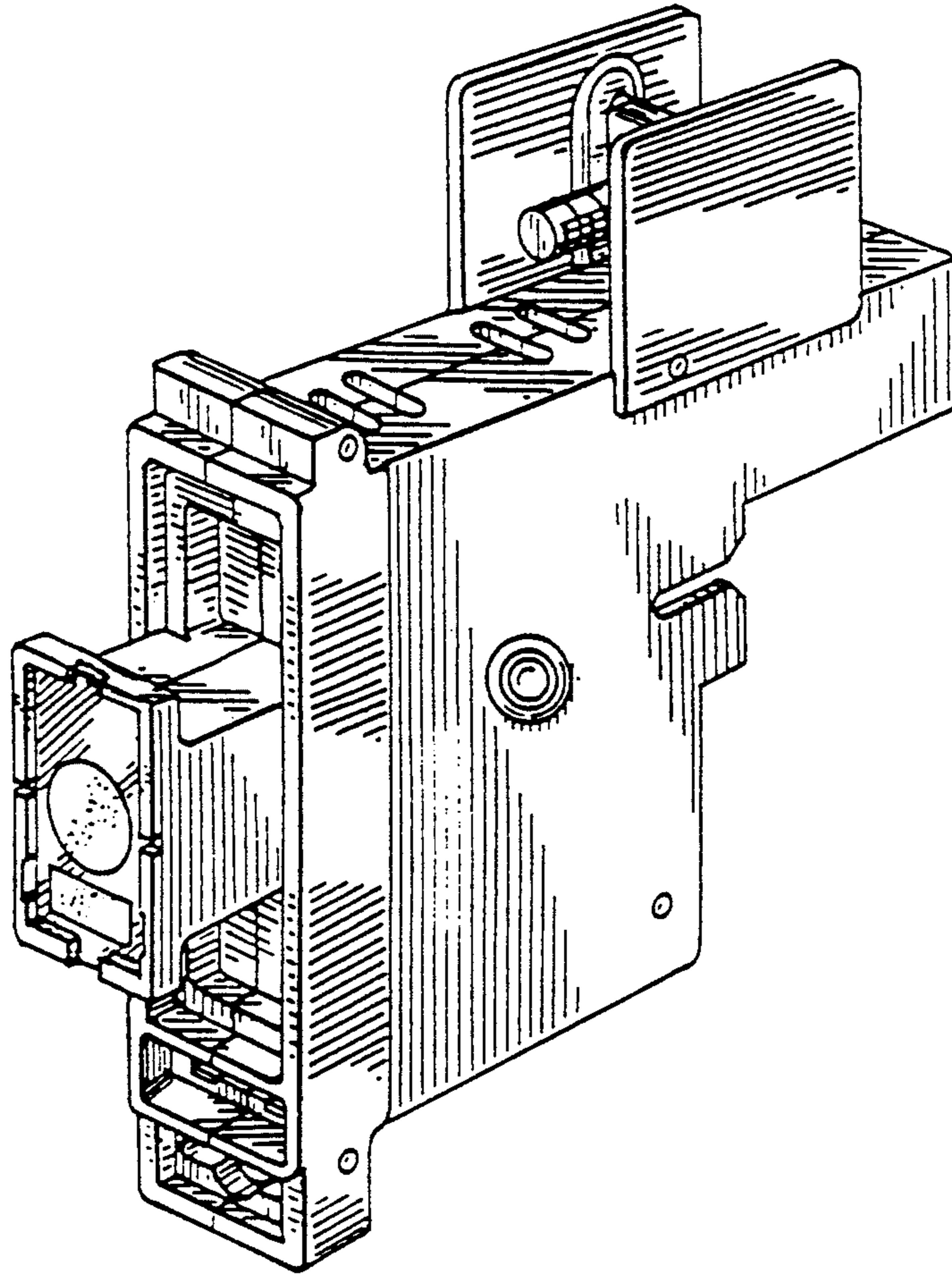
FIG. 5 is a top plan view thereof;

FIG. 6 is a rear elevation view thereof;

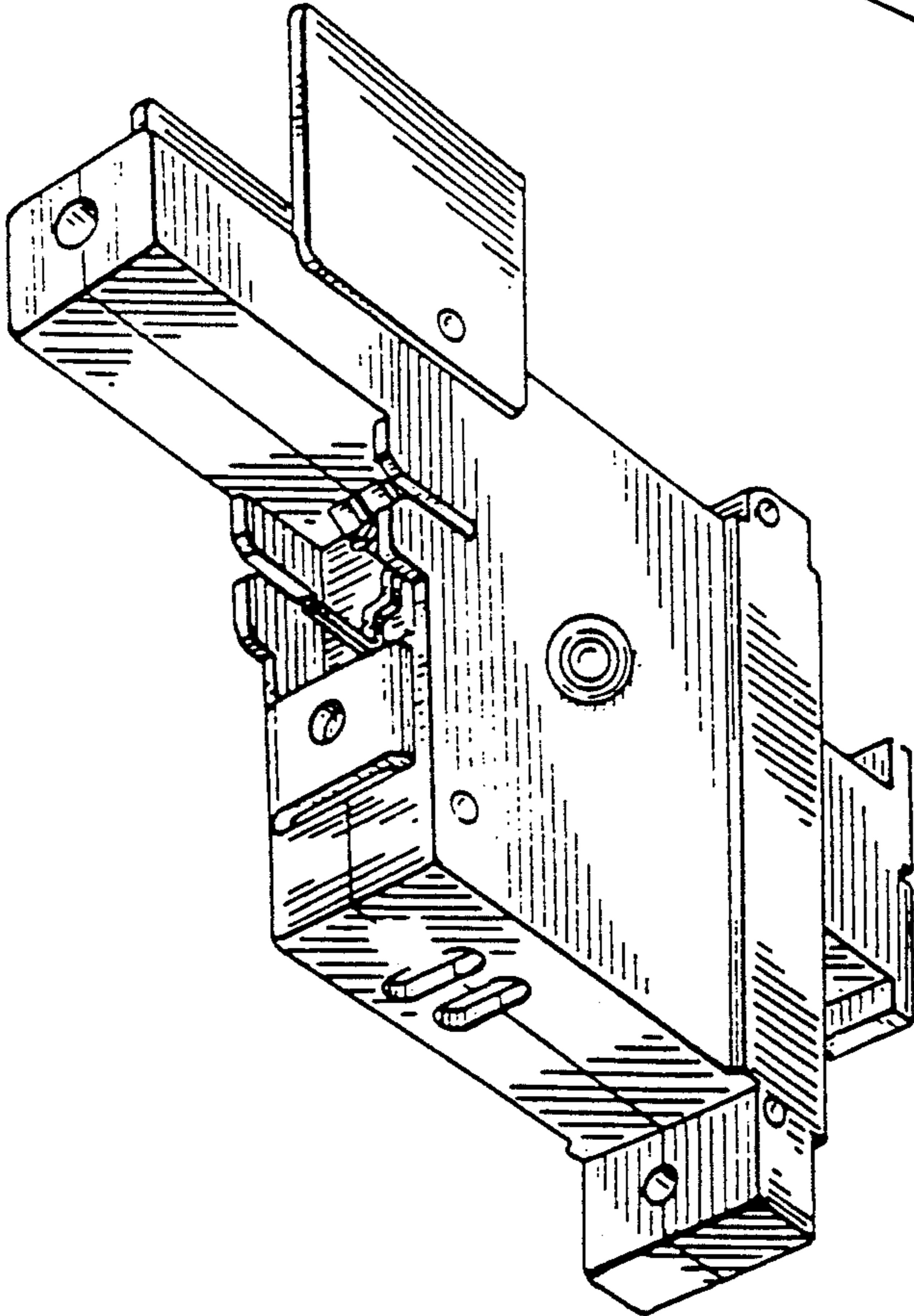
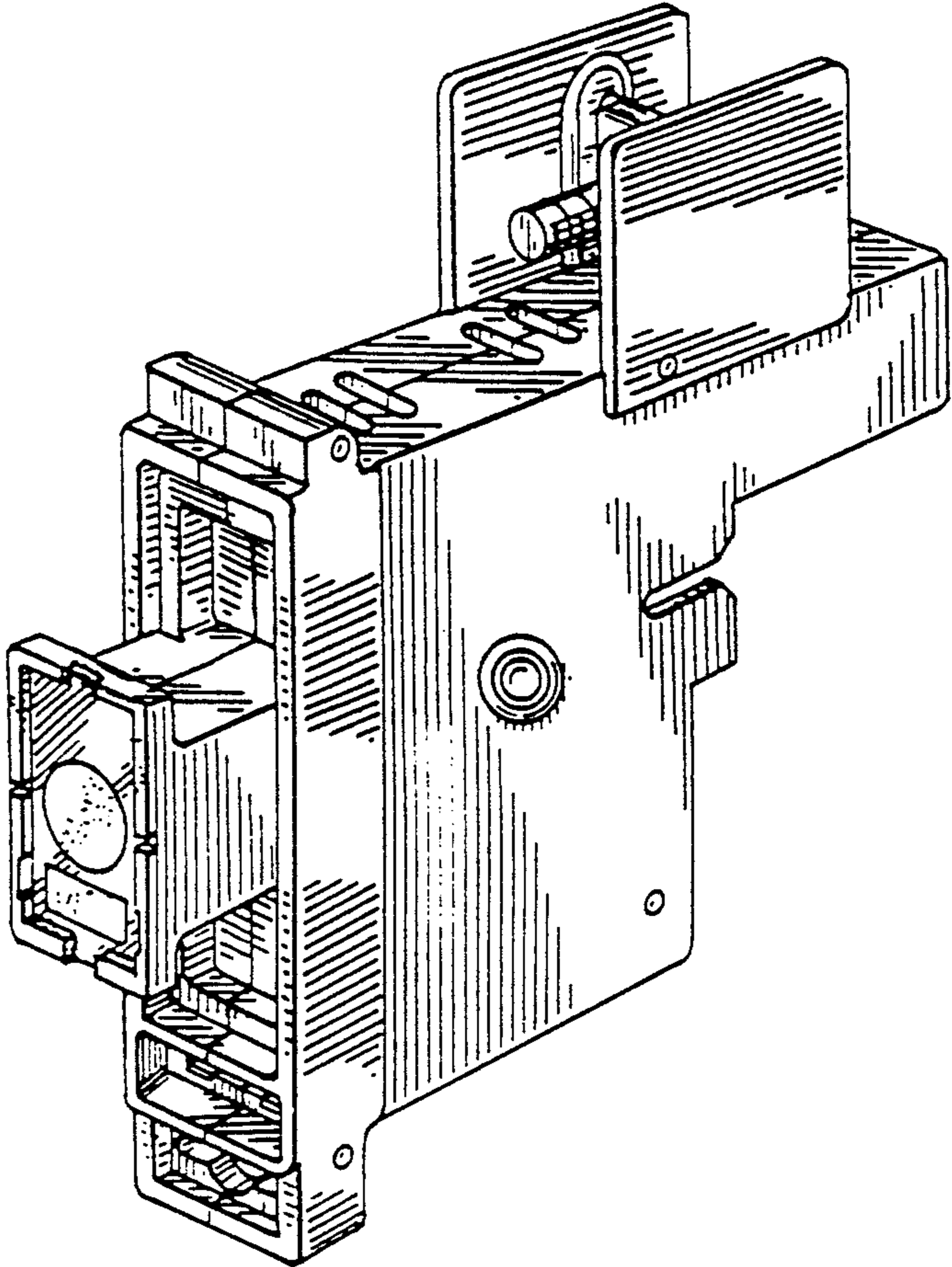
FIG. 7 is a left-hand-side elevation view thereof;

FIG. 8 is a bottom plan view thereof; and,

FIG. 9 is a front elevation view of a fused electrical power disconnect showing a second embodiment of our new design, all other views being the same as the first embodiment except for the indicia on the front of the fuse holder.

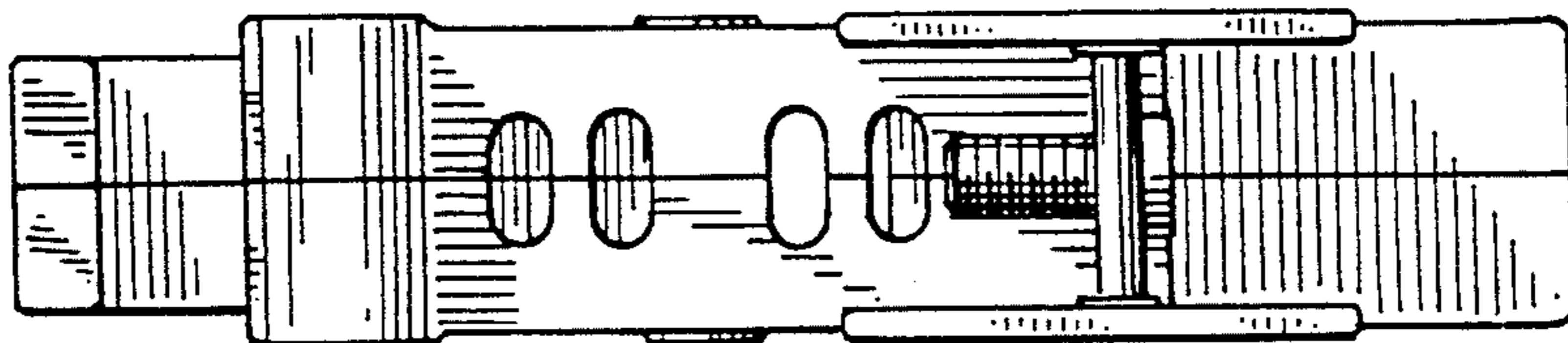


*Fig. 1*

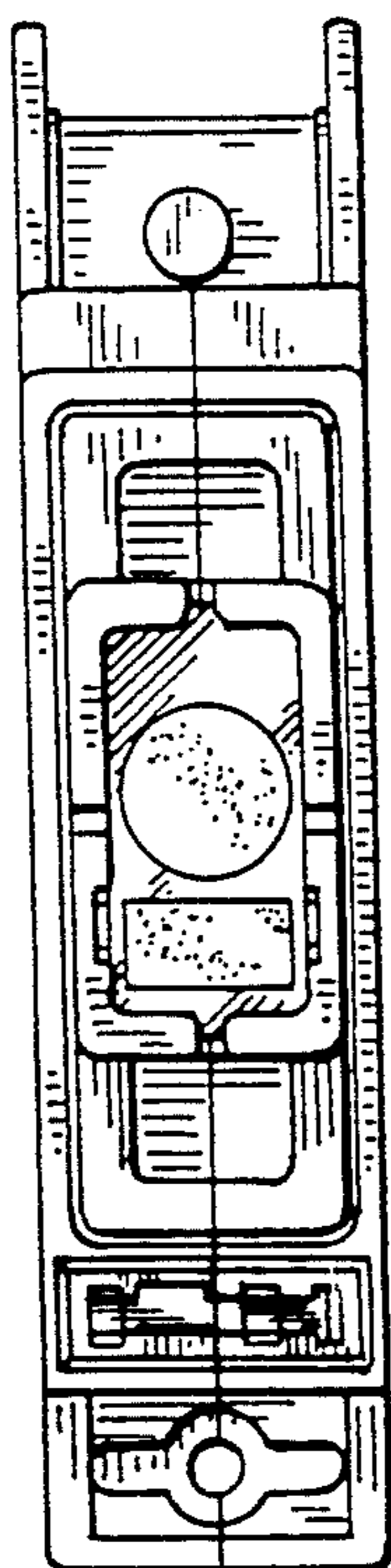


*Fig. 2*

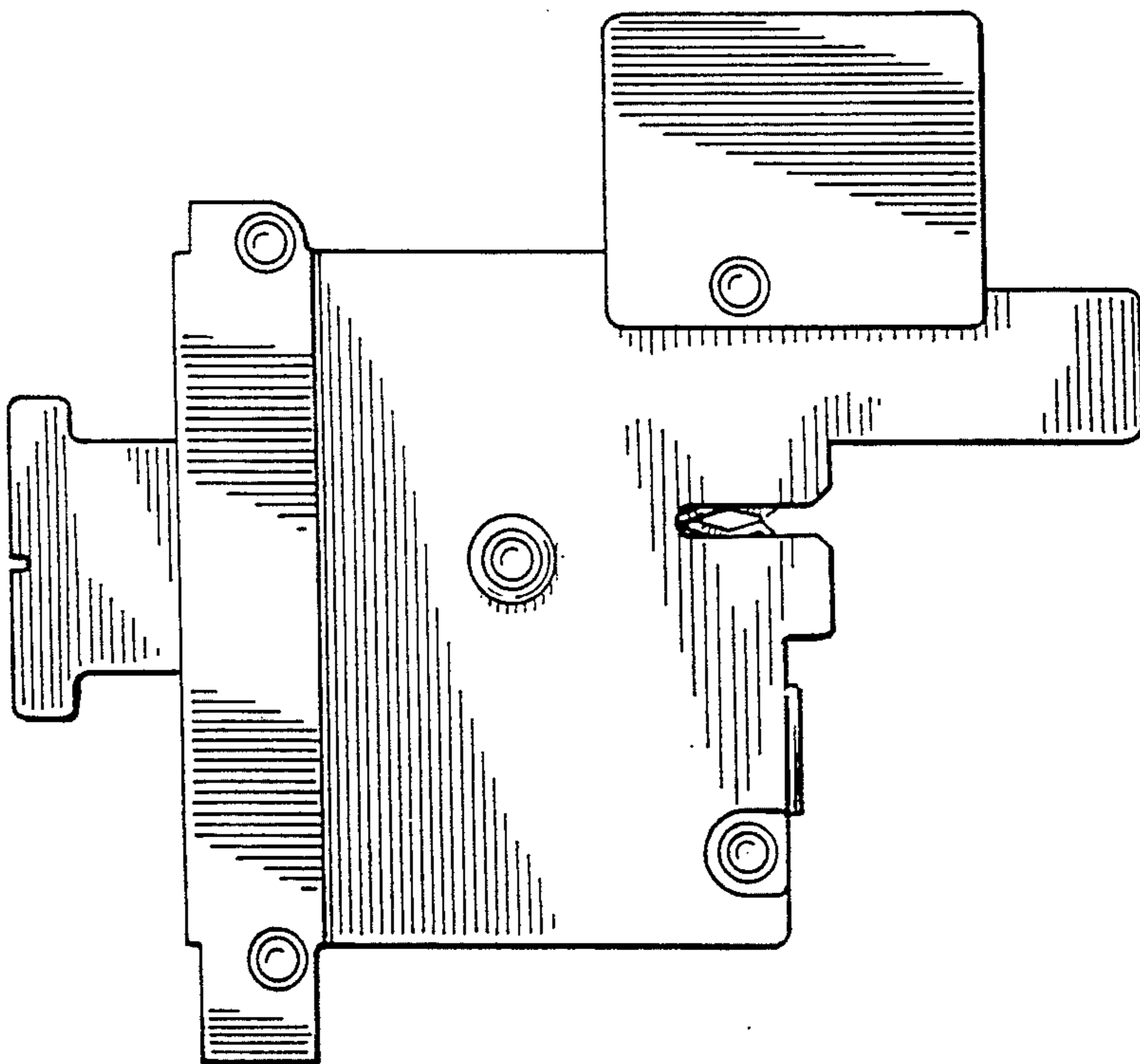
*Fig. 5*



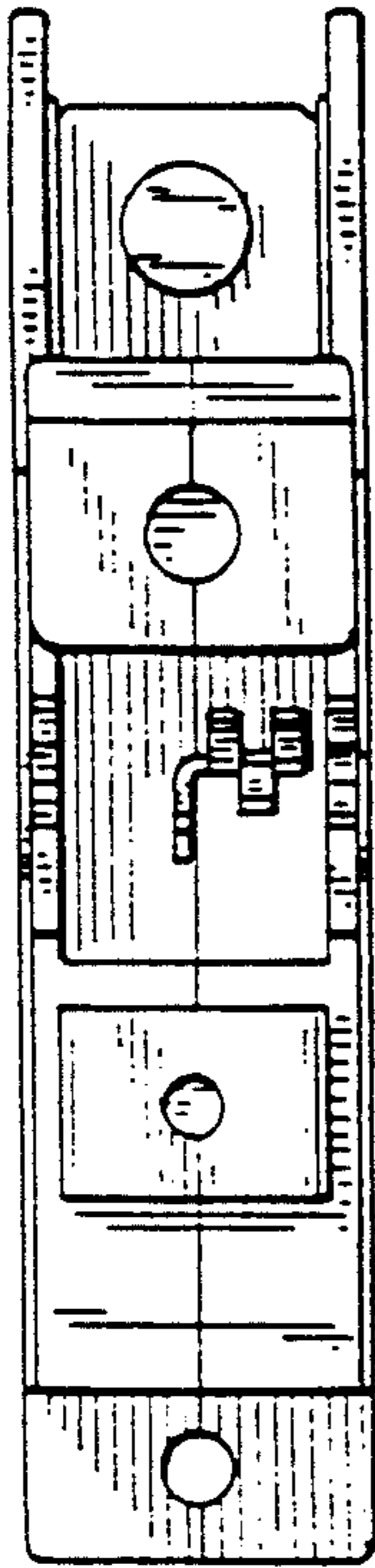
*Fig. 3*



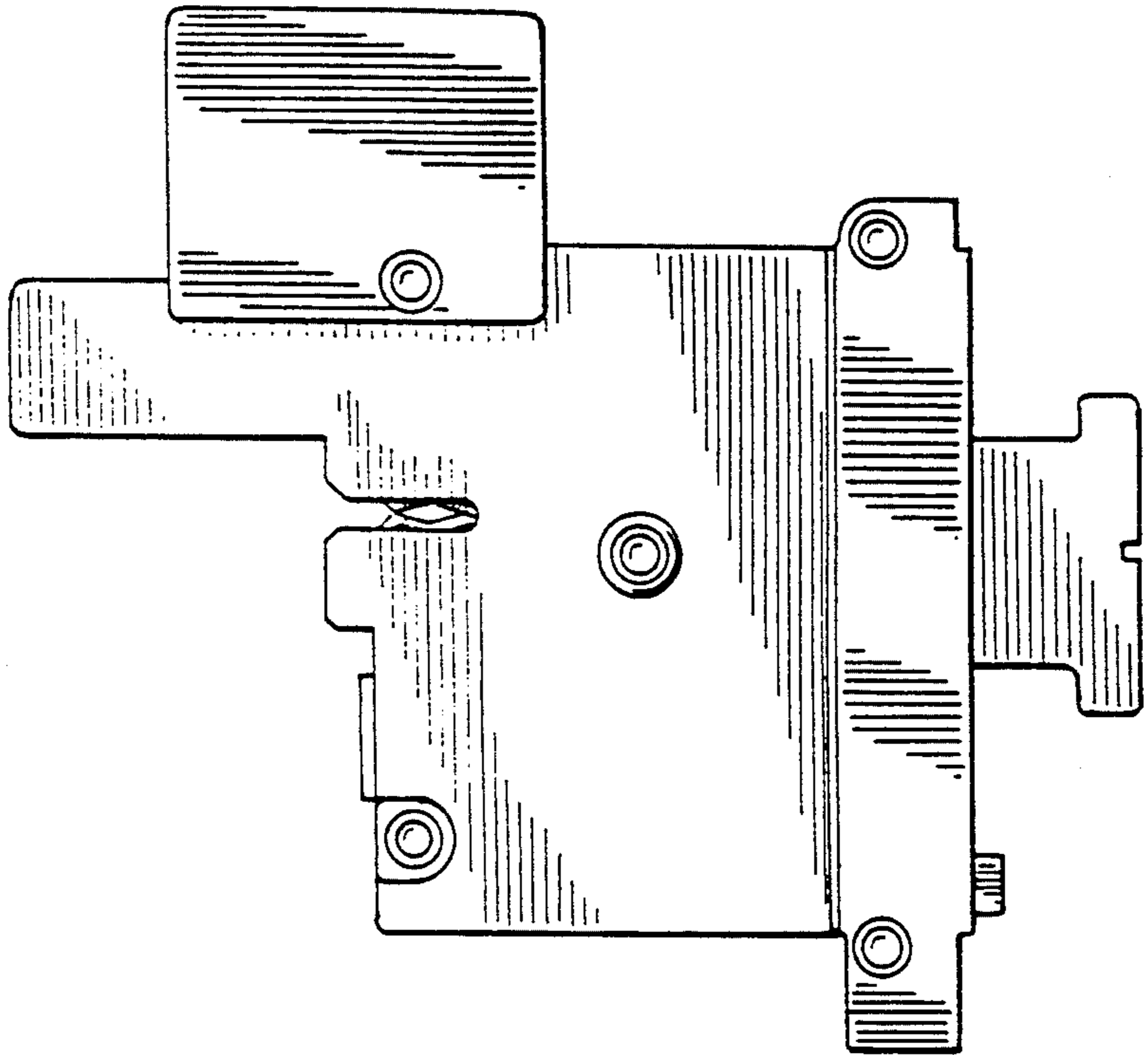
*Fig. 4*



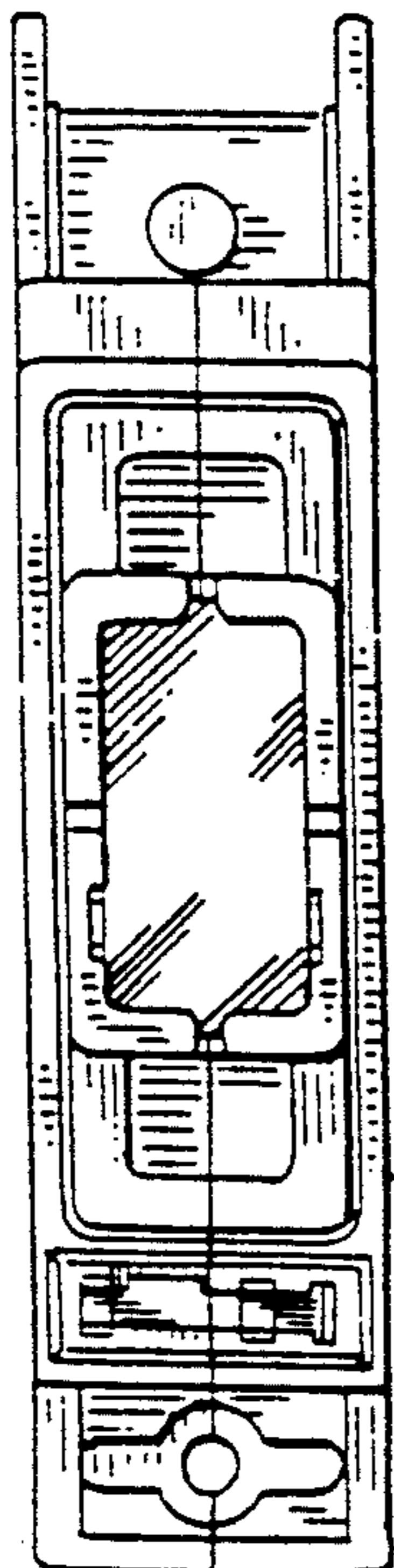
*Fig. 6*



*Fig. 7*



*Fig. 9*



*Fig. 8*

