



US00D346788S

United States Patent [19]

[11] Patent Number: Des. 346,788

Korzik et al.

[45] Date of Patent: ** May 10, 1994

[54] MINI CHANNEL EXTENDER APPARATUS

[75] Inventors: James L. Korzik; Richard S. LaBarbera, both of Roanoke, Va.; William K. Nailor, III, Camp Hill, Pa.; William A. Northey, Etters, Pa.; Harold W. Sundy, Landisburg, Pa.; John D. Walden, Mechanicsburg, Pa.

[73] Assignee: E. I. Du Pont de Nemours and Company, Wilmington, Del.

[**] Term: 14 Years

[21] Appl. No.: 919,695

[22] Filed: Jul. 24, 1992

[52] U.S. Cl. D13/147

[58] Field of Search 395/325; 439/329, 492, 439/498, 499, 690; D13/146, 147; D14/102, 114

[56] References Cited

U.S. PATENT DOCUMENTS

D. 298,121	10/1988	Furuhashi	D13/146
4,687,263	8/1987	Cosmos et al.	439/499 X
4,695,258	9/1987	Hanson et al.	439/329 X
4,811,165	3/1989	Currier et al.	439/76 X

FOREIGN PATENT DOCUMENTS

2244181	11/1991	United Kingdom	439/499
---------	---------	----------------	-------	---------

OTHER PUBLICATIONS

Cable assembly on p. 382 of *DuPont Connector Systems* Catalog 86-A Mar. 86.
Connectors and cables on p. 136 of *Specialized Products Co.* Fall 1991 catalog.
Ribbon connectors on p. 31B of *Molex* Catalog No. 980, 1990.
Parallel printer extenders on p. 70 of *MCM Electronics* Spring 1991 catalog.

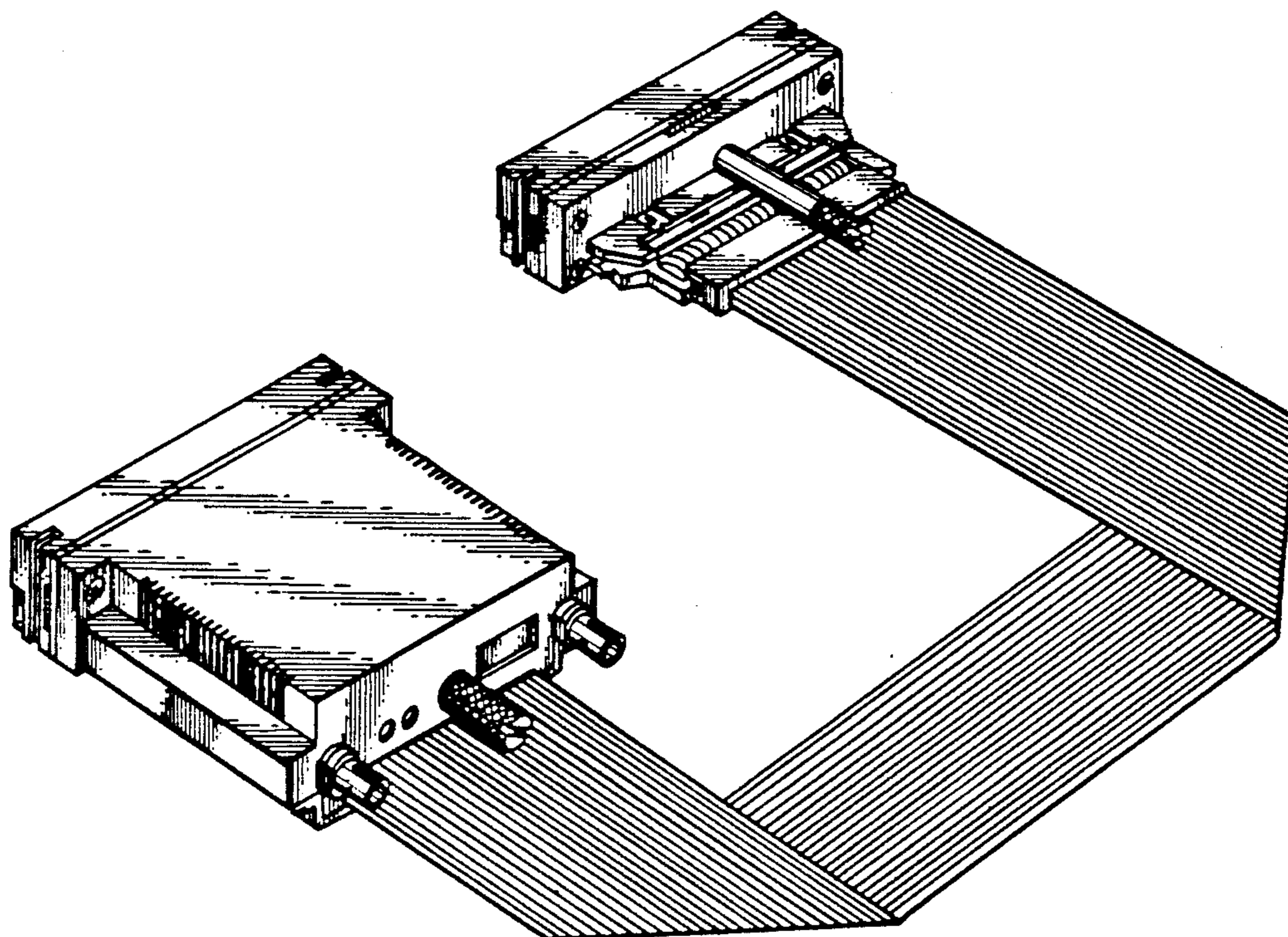
Primary Examiner—Susan J. Lucas
Assistant Examiner—Joel Sincavage
Attorney, Agent, or Firm—Woodcock Washburn Kurtz Mackiewicz & Norris

[57] CLAIM

The ornamental design for a mini channel extender apparatus, as shown and described.

DESCRIPTION

FIG. 1 is a perspective view of a mini channel extender apparatus embodying the new design; FIG. 2 is a top plan view of the apparatus; FIG. 3 is a bottom plan view of the apparatus; FIG. 4 is a right side elevational view of the apparatus; FIG. 5 is a left side elevational view of the apparatus; FIG. 6 is a front end elevational view of the apparatus as taken along line 6—6 of FIG. 4; FIG. 7 is a rear end elevational view of the apparatus as taken along line 7—7 of FIG. 4; FIG. 8 is a cross sectional view of the apparatus taken along line 8—8 of FIG. 5; and, FIG. 9 is a cross sectional view of the apparatus taken along line 9—9 of FIG. 5.



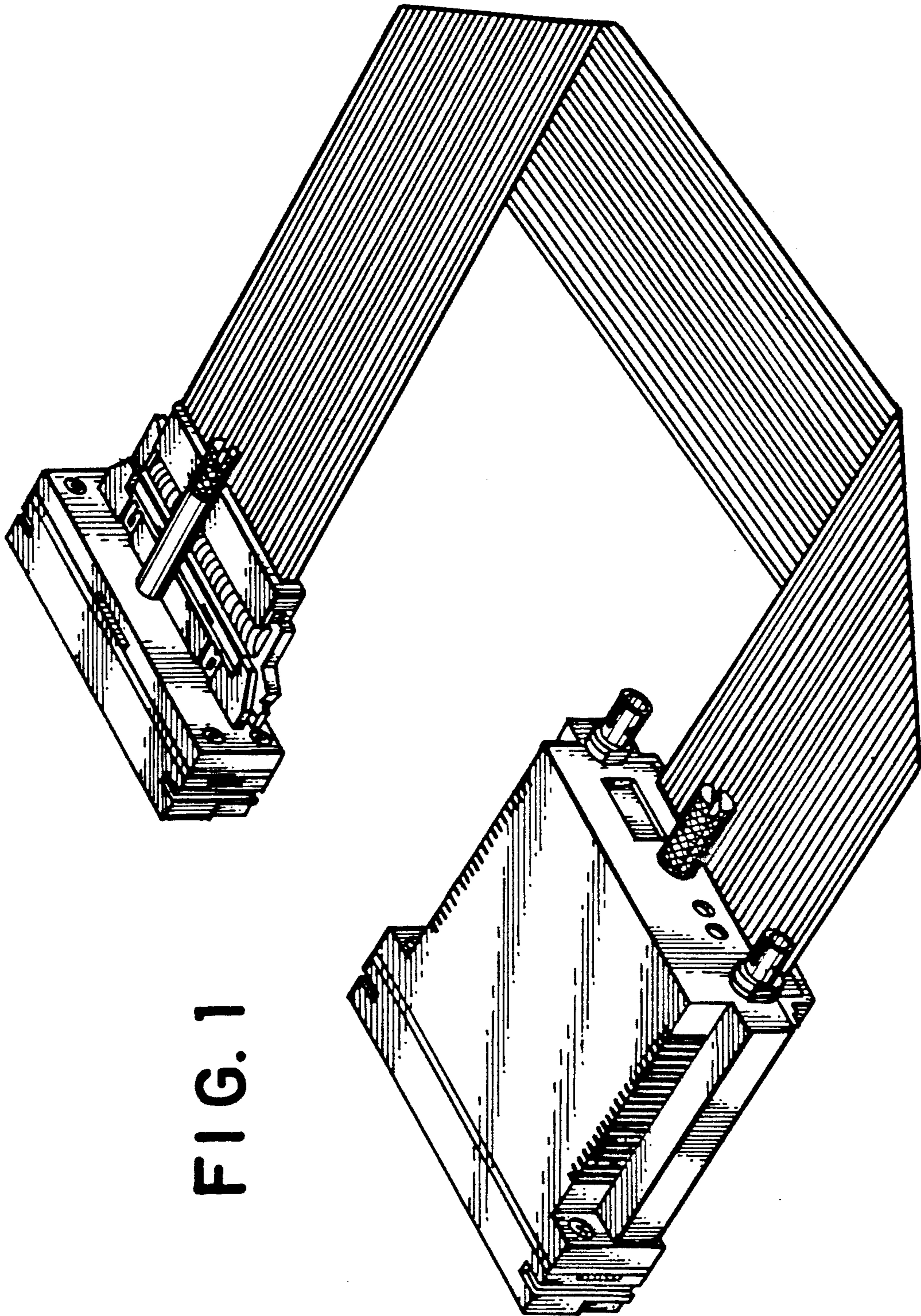


FIG. 1

FIG. 2

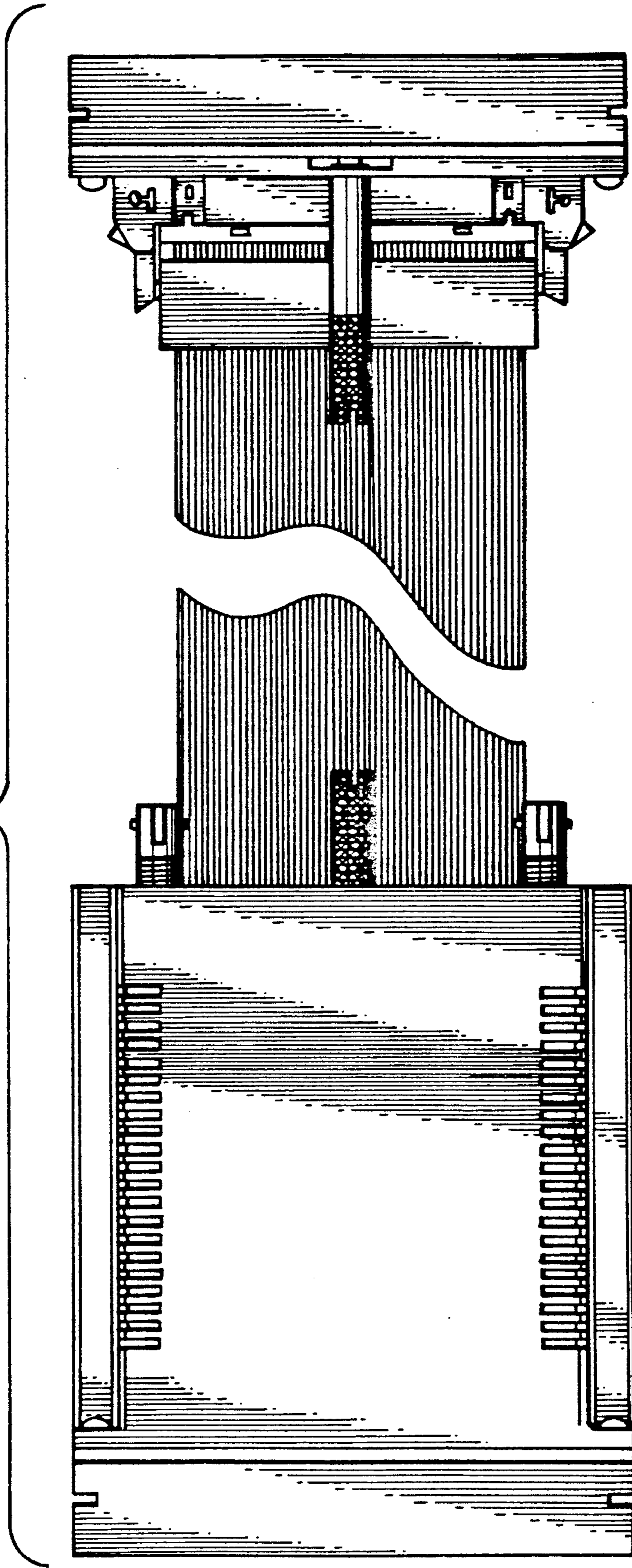
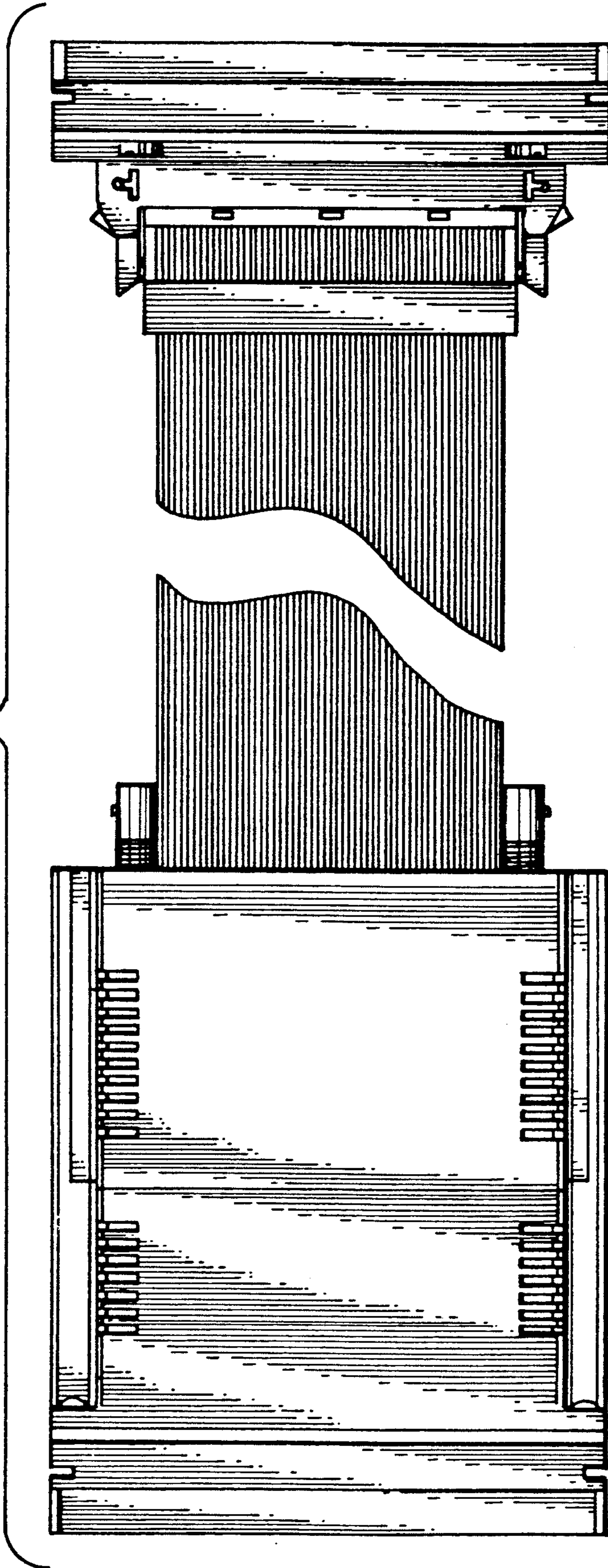


FIG. 3



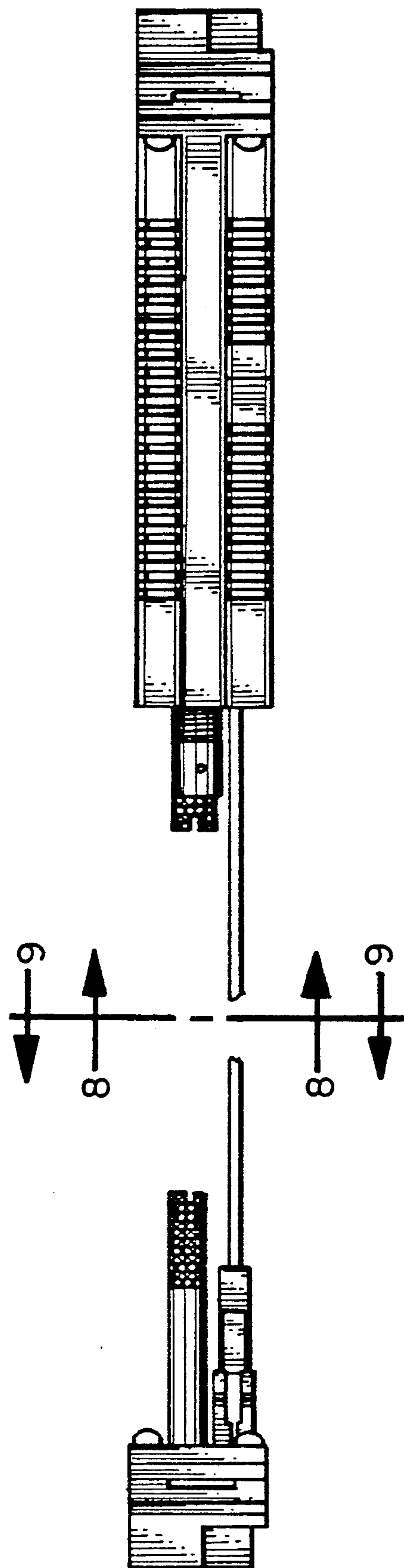
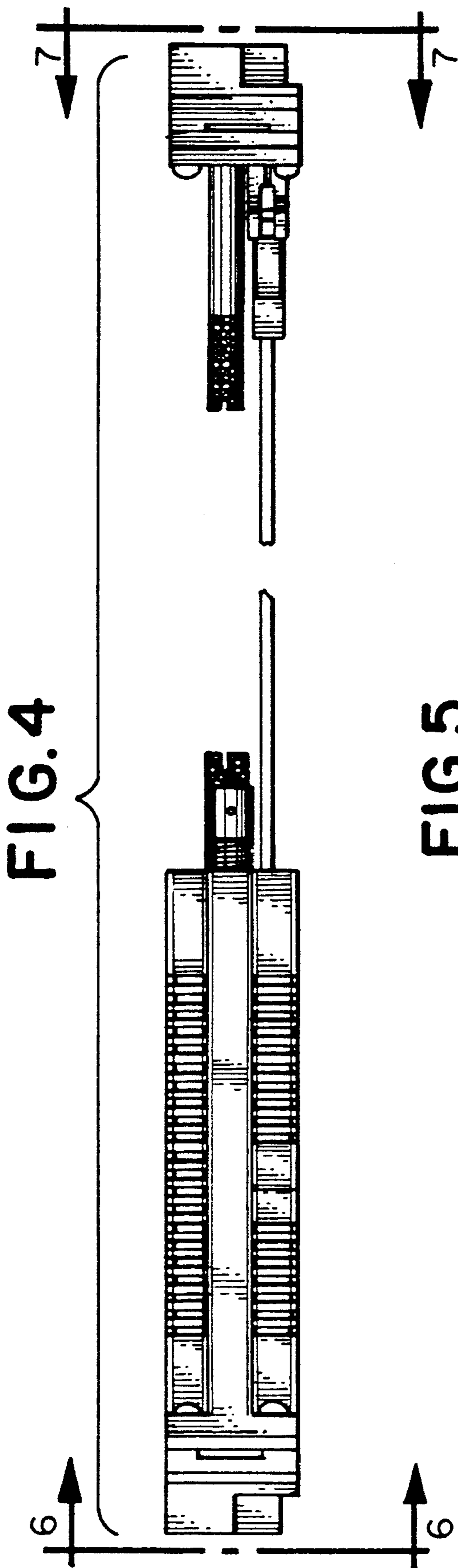


FIG. 6

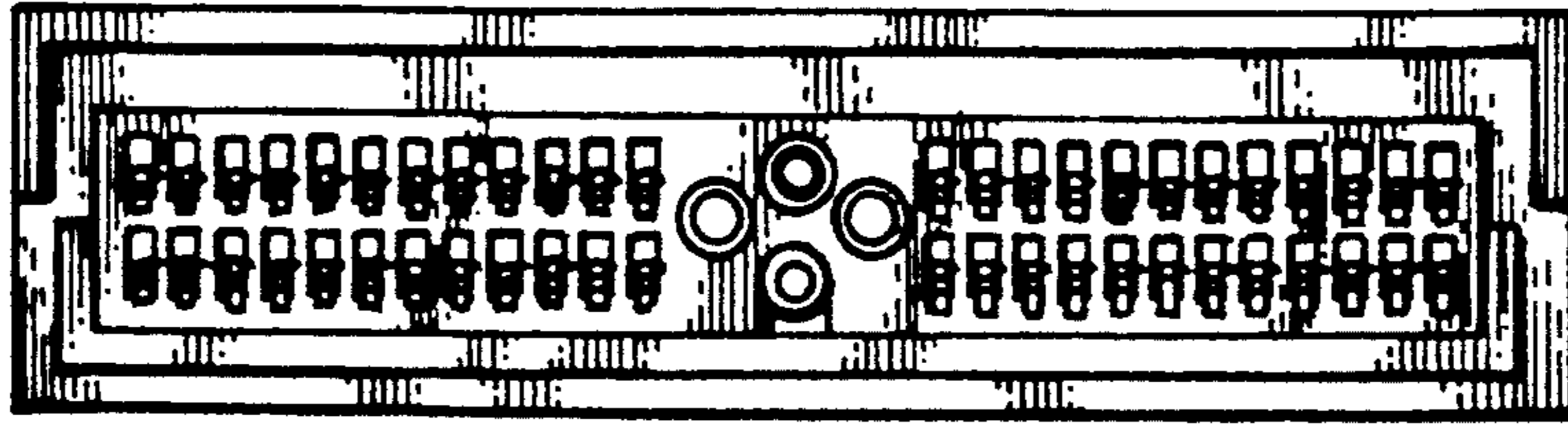


FIG. 7

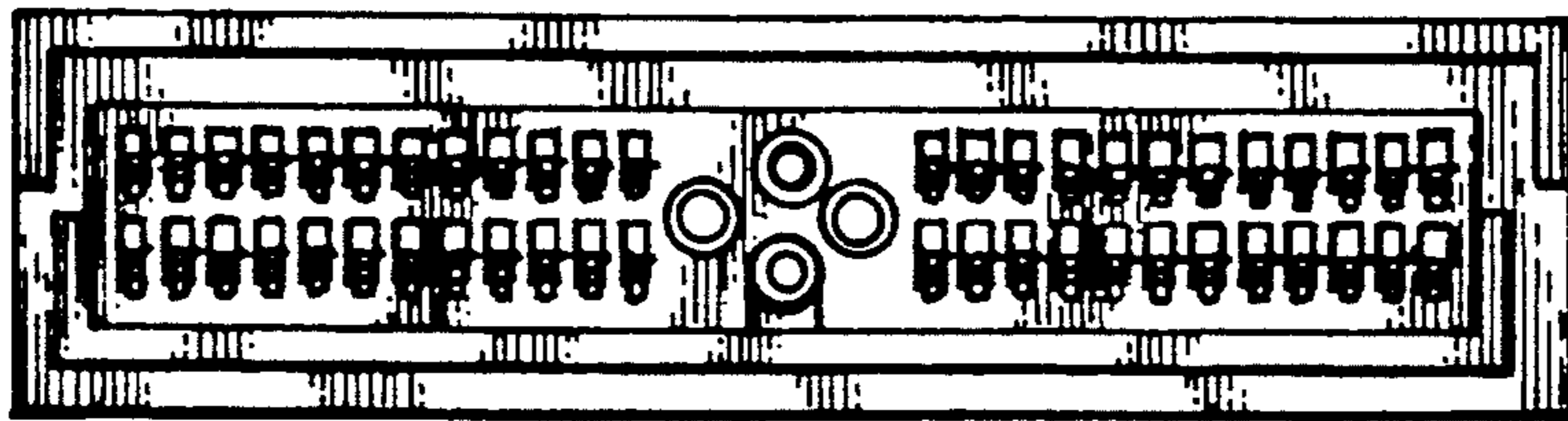


FIG. 8

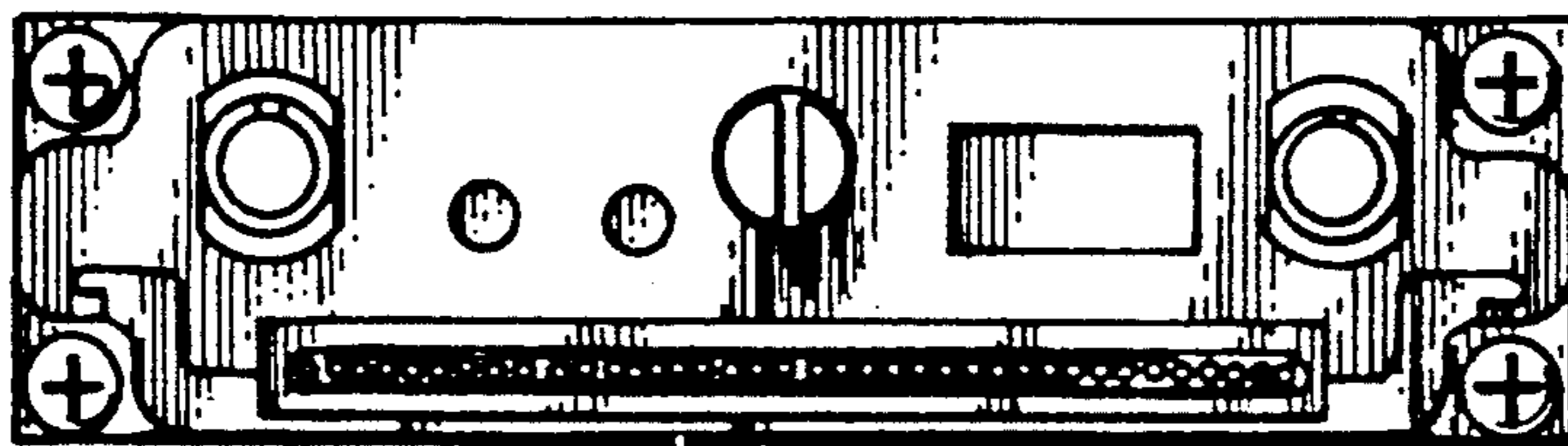


FIG. 9

