



US00D346786S

United States Patent [19]

[11] Patent Number: **Des. 346,786**

Nagele et al.

[45] Date of Patent: **** May 10, 1994**

[54] **CHARGING BASE FOR A CORDLESS TELEPHONE**

[75] Inventors: **Albert L. Nagele, Wilmete; Louis J. Lundell, Buffalo Grove, both of Ill.**

[73] Assignee: **Motorola, Inc., Schaumburg, Ill.**

[**] Term: **14 Years**

[21] Appl. No.: **3,460**

[22] Filed: **Jan. 7, 1993**

[52] U.S. Cl. **D13/108; D14/149**

[58] Field of Search 320/2, 3; 379/58-61, 379/419, 420, 428, 440, 441; D13/108, 107; D14/113, 114, 138, 137, 142, 140, 149-151, 251, 253, 240

- D. 276,809 12/1984 Taylor D14/253
- D. 306,594 3/1990 Taylor D14/253
- D. 307,016 4/1990 Watanabe D14/138 X
- D. 314,173 1/1991 Soren et al. D13/108
- D. 323,504 1/1992 Langton D14/151 X
- D. 324,515 3/1992 Harden et al. D14/113
- 4,543,451 9/1985 Schoen D14/138 X

Primary Examiner—Alan P. Douglas
Assistant Examiner—Jeffrey Asch
Attorney, Agent, or Firm—Rolland R. Hackbart; John J. King

[57] **CLAIM**

The ornamental design for a charging base for a cordless telephone, as shown and described.

DESCRIPTION

FIG. 1 is a top, front, and left side perspective view of a charging base for a cordless telephone showing our new design;

FIG. 2 is a rear elevational view thereof;

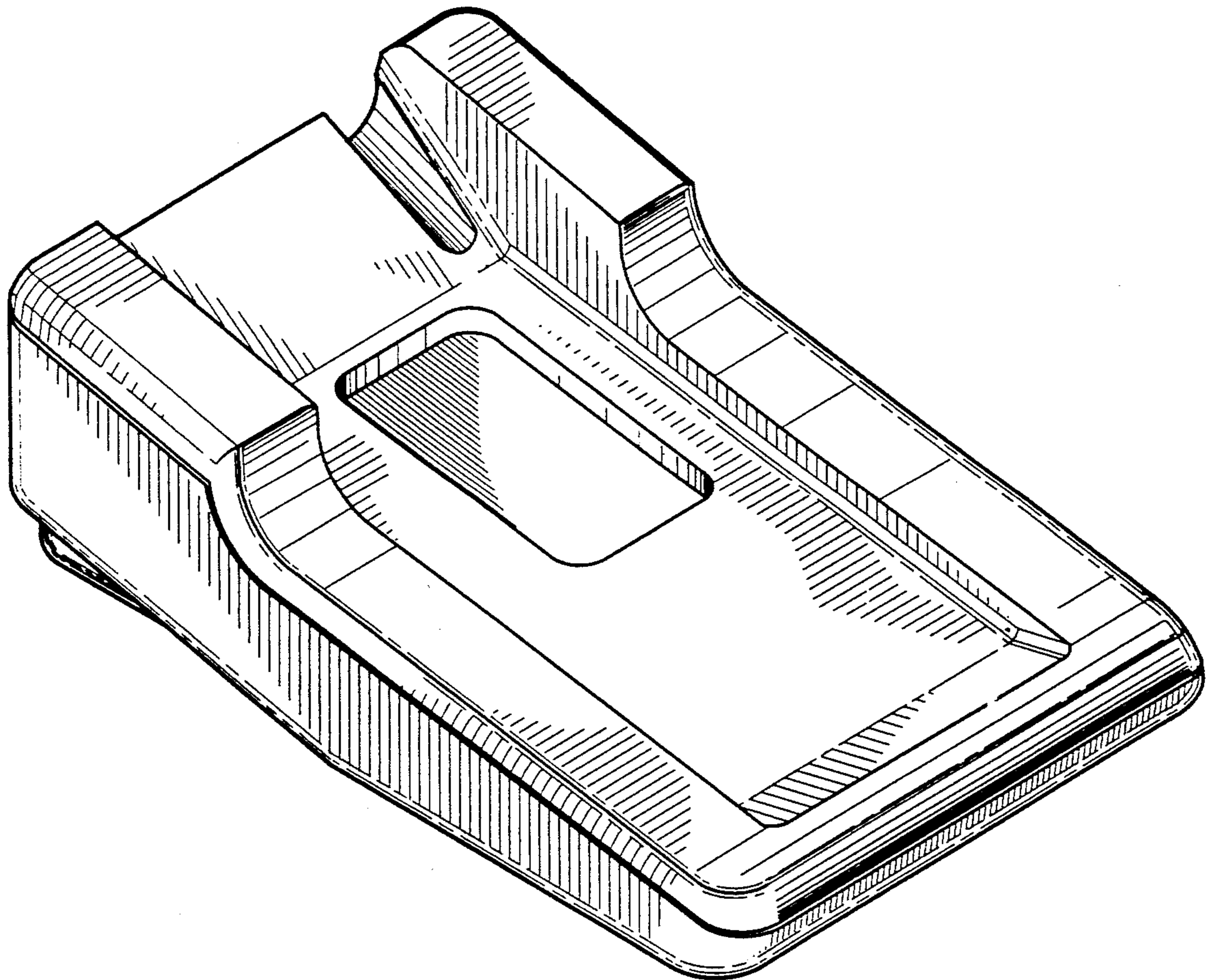
FIG. 3 is a right side elevational view thereof; and,

FIG. 4 is a bottom plan view thereof.

[56] **References Cited**

U.S. PATENT DOCUMENTS

- D. 215,303 9/1969 Carpenter D13/108
- D. 275,482 9/1984 Coons et al. D13/108 X
- D. 275,951 10/1984 Taylor D14/151



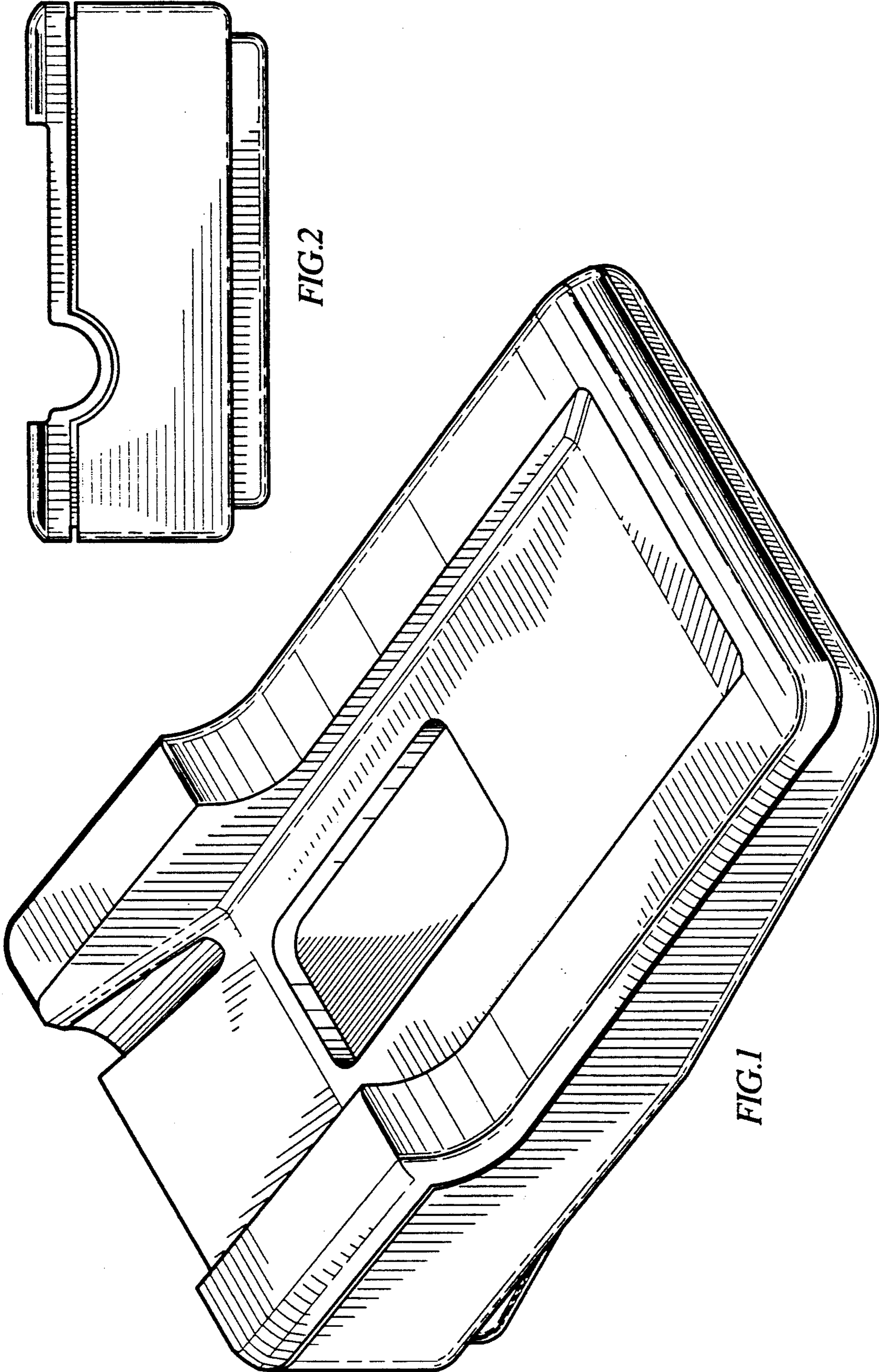


FIG.2

FIG.1

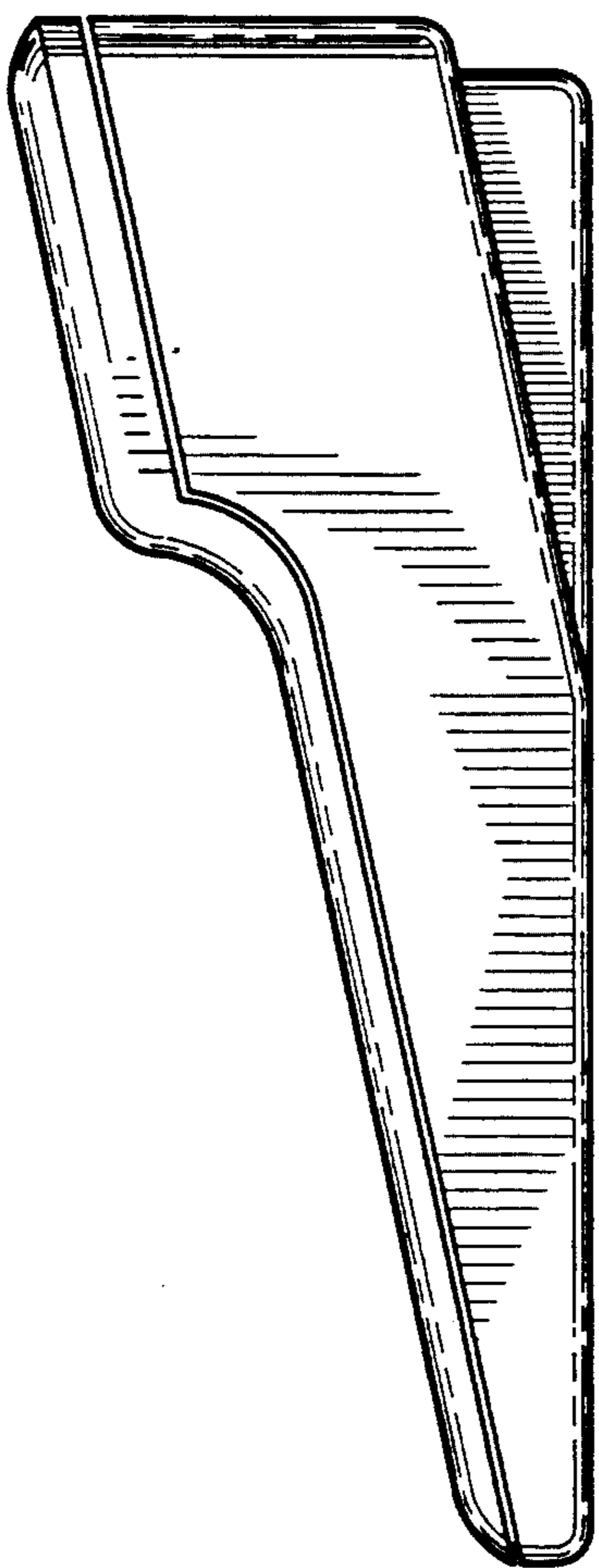


FIG. 3

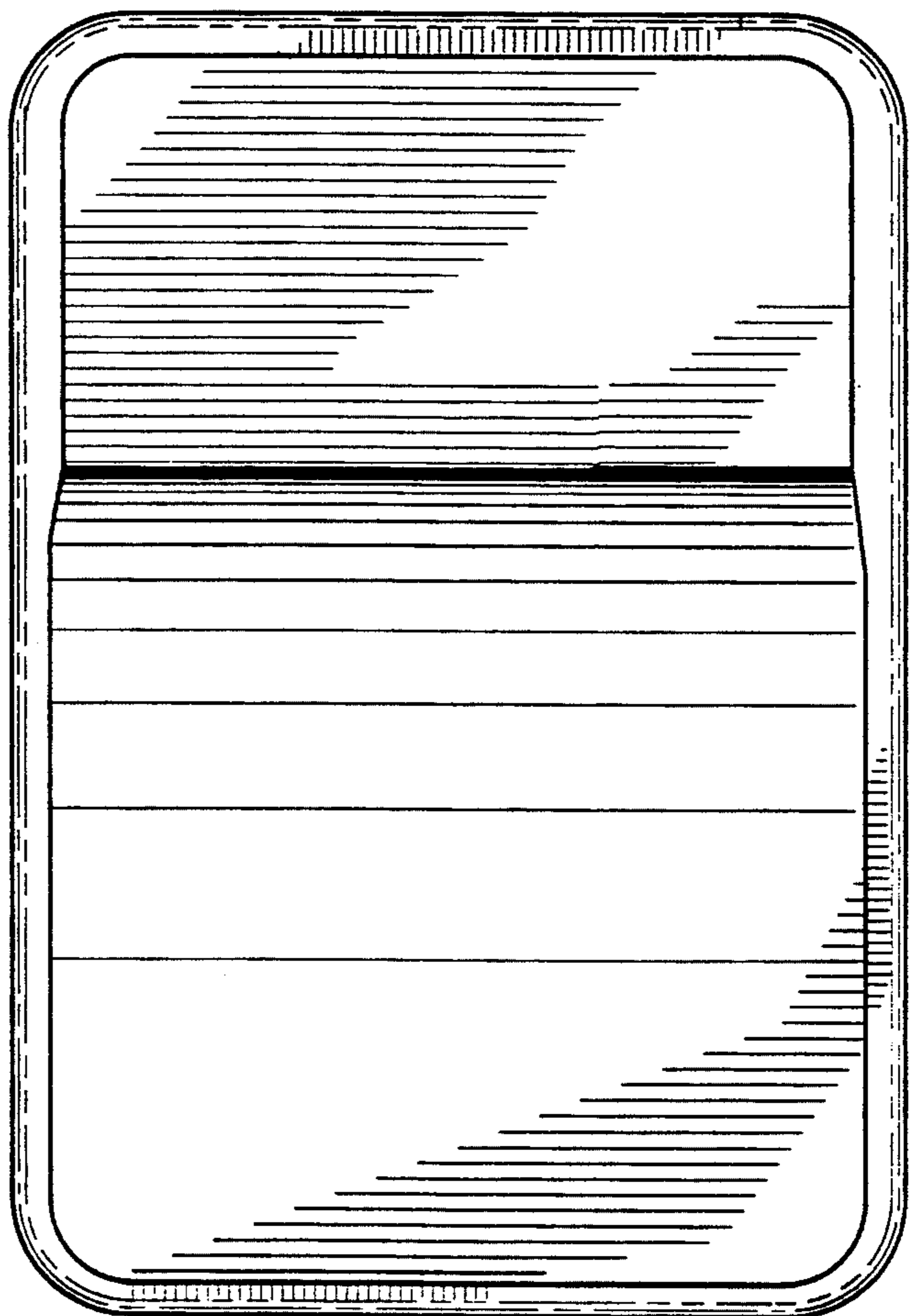


FIG. 4