



US00D346785S

United States Patent [19]

[11] Patent Number: Des. 346,785

Lundell et al.

[45] Date of Patent: ** May 10, 1994

[54] CHARGING BASE FOR A CORDLESS TELEPHONE

[75] Inventors: Louis J. Lundell, Buffalo Grove; Albert L. Nagele, Wilmette, both of Ill.

[73] Assignee: Motorola, Inc., Schaumburg, Ill.

[**] Term: 14 Years

[21] Appl. No.: 3,459

[22] Filed: Jan. 7, 1993

[52] U.S. Cl. D13/108; D14/149

[58] Field of Search 320/2-5; 379/58-61, 419, 420, 428, 434, 440; D13/107, 108; D14/137, 138, 140, 142, 149-151, 240, 241

[56] **References Cited**

U.S. PATENT DOCUMENTS

D. 285,555	9/1986	Fukutani	D14/53
D. 288,561	3/1987	Bond	D14/53
D. 305,119	12/1989	Pfeifer et al.	D14/142
D. 307,008	4/1990	Shaanan et al.	D14/149
D. 322,436	12/1991	Myoga	D14/138
D. 327,247	6/1992	Higuchi et al.	D13/108
D. 339,564	9/1993	Nagele et al.	D13/108
D. 340,906	11/1993	Nagele et al.	D13/108

OTHER PUBLICATIONS

Chicago Tribune; Jun. 3, 1991; section 4, p. 10, This advertisement discloses three cordless telephones:

Northwestern Bell Excursion 3100, AT&T Cordless Telephone 4600, and Code-A-Phone #7210 Cordless Telephone/Answering Machine. Each cordless telephone shows a charging base with chargeable handset. Cordless phone bases on p. 348 of B. A. Pargh Company, Inc. 1989 catalog.

Primary Examiner—Nelson C. Holtje
Assistant Examiner—Jeffrey Asch
Attorney, Agent, or Firm—Rolland R. Hackbart; John J. King

[57] **CLAIM**

The ornamental design for a charging base for a cordless telephone, as shown and described.

DESCRIPTION

FIG. 1 is a front, top, and left side perspective view of a charging base for a cordless telephone showing our new design;

FIG. 2 is a right side elevational view thereof;

FIG. 3 is a rear elevational view thereof;

FIG. 4 is a bottom plan view thereof; and,

FIG. 5 is a front, top, and left side perspective view of a second embodiment of that shown in FIG. 1 wherein the only difference is in the enlargement of the inset plate at the top right.

The broken lines shown in FIGS. 1-5 are for illustrative purposes only and form no part of the claimed design.

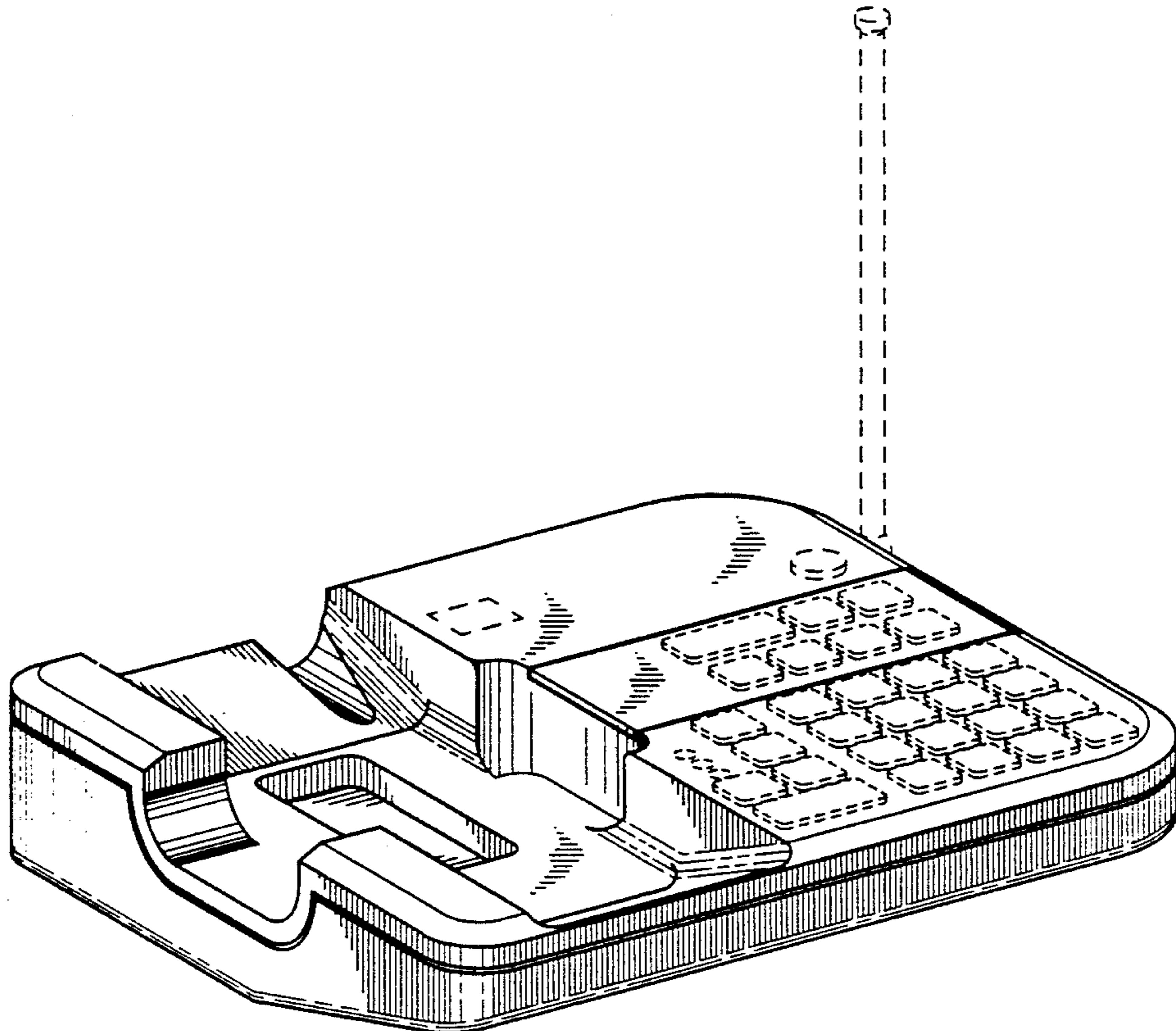


FIG. 1

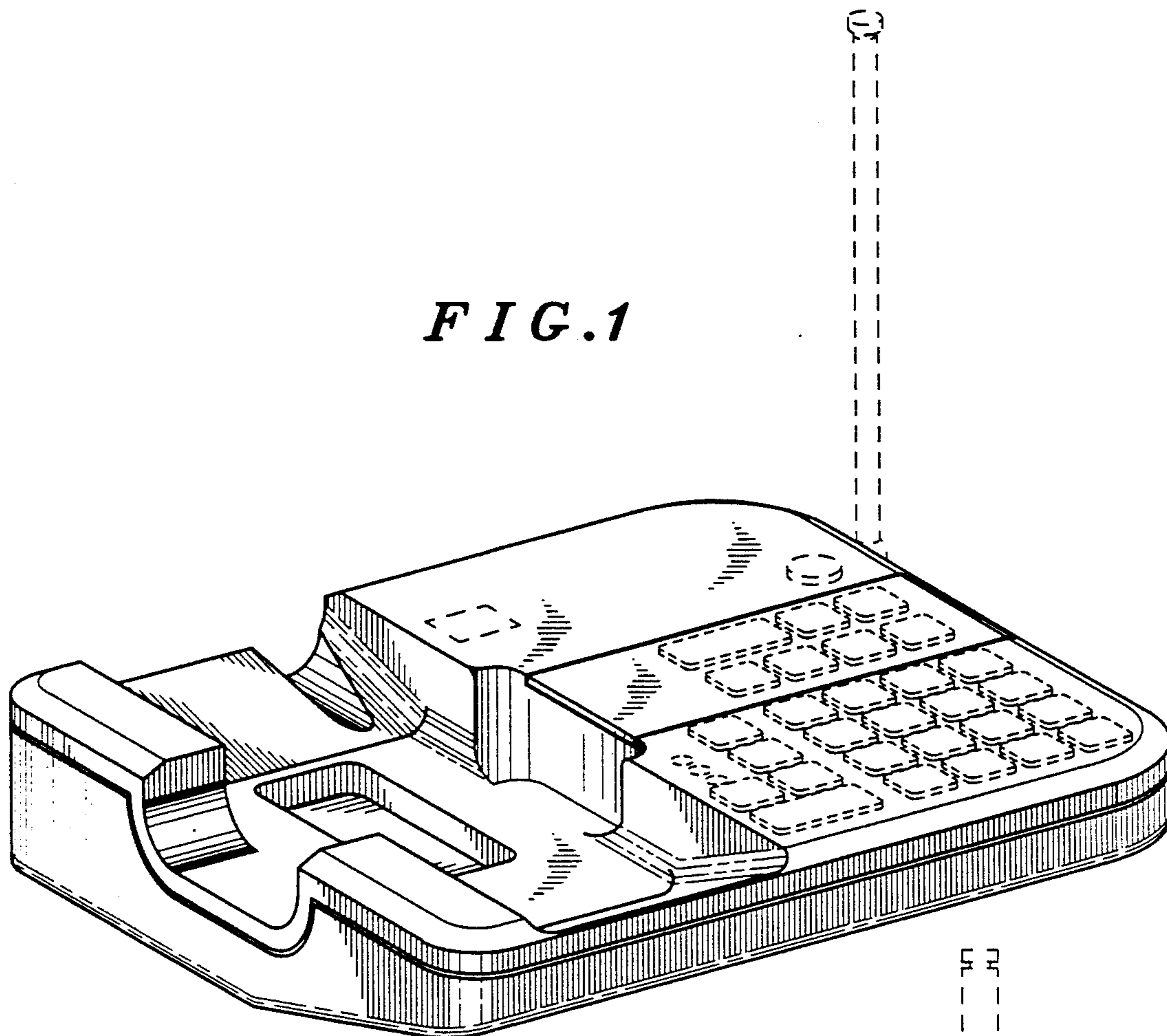


FIG. 2

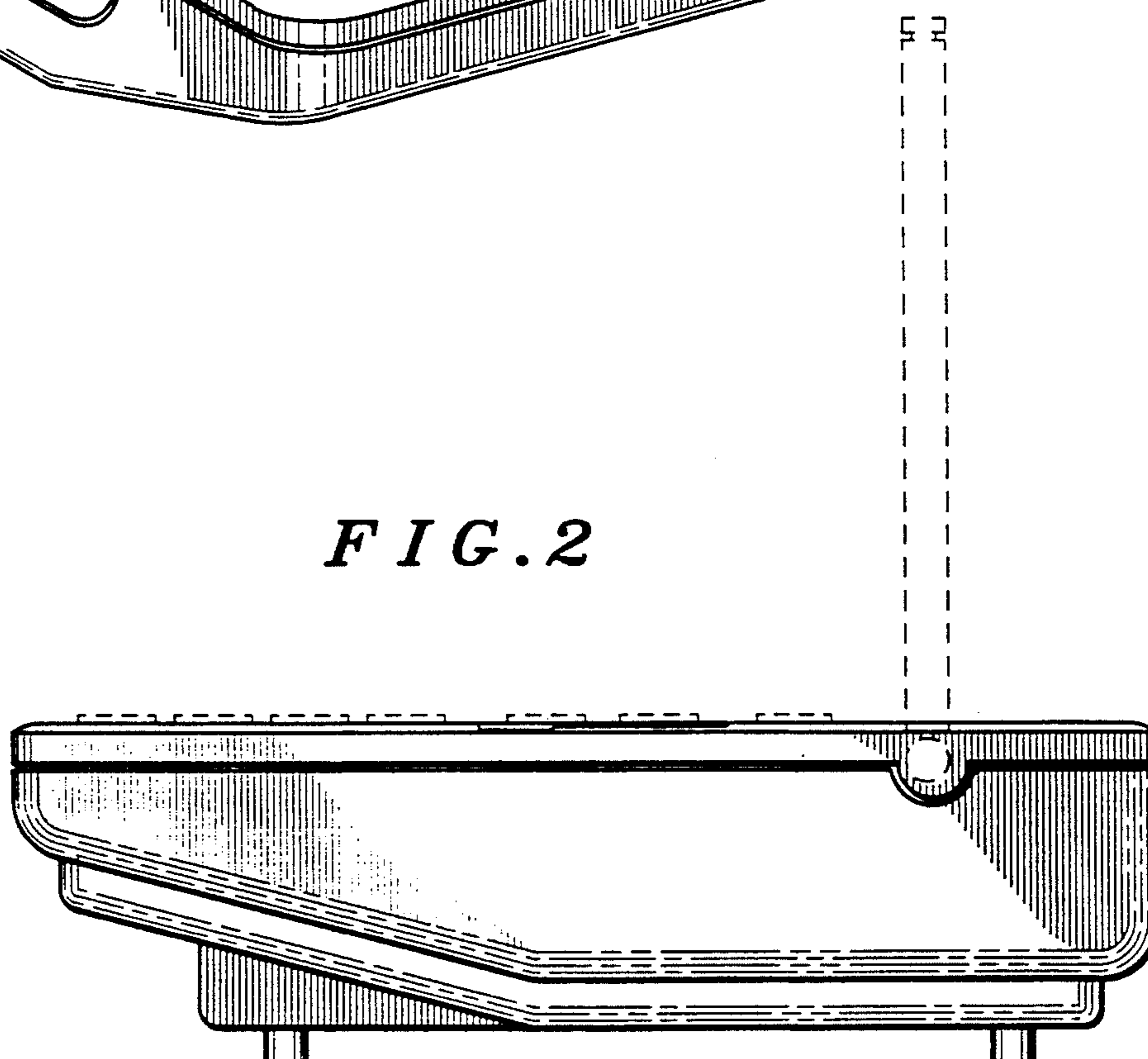
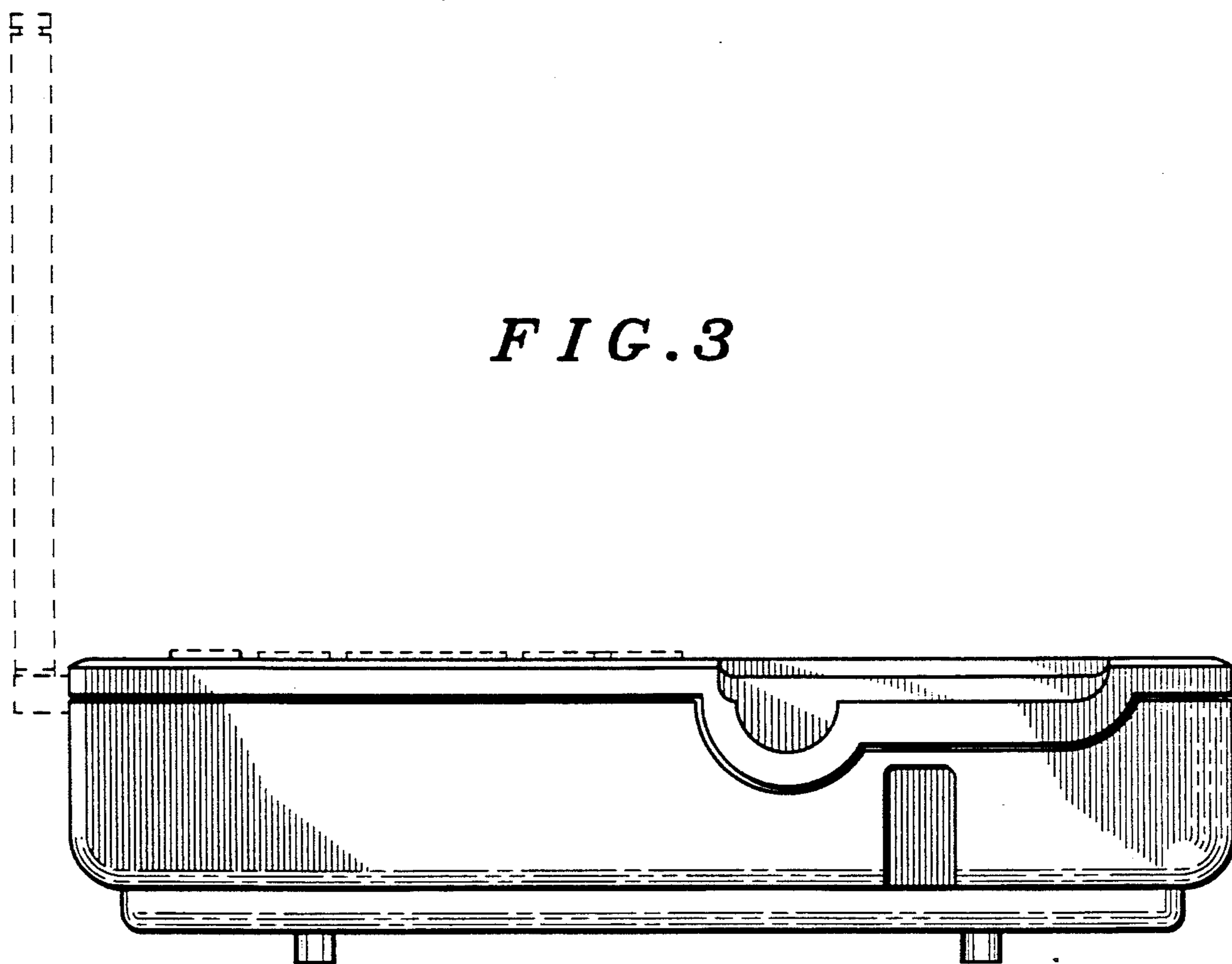


FIG. 3



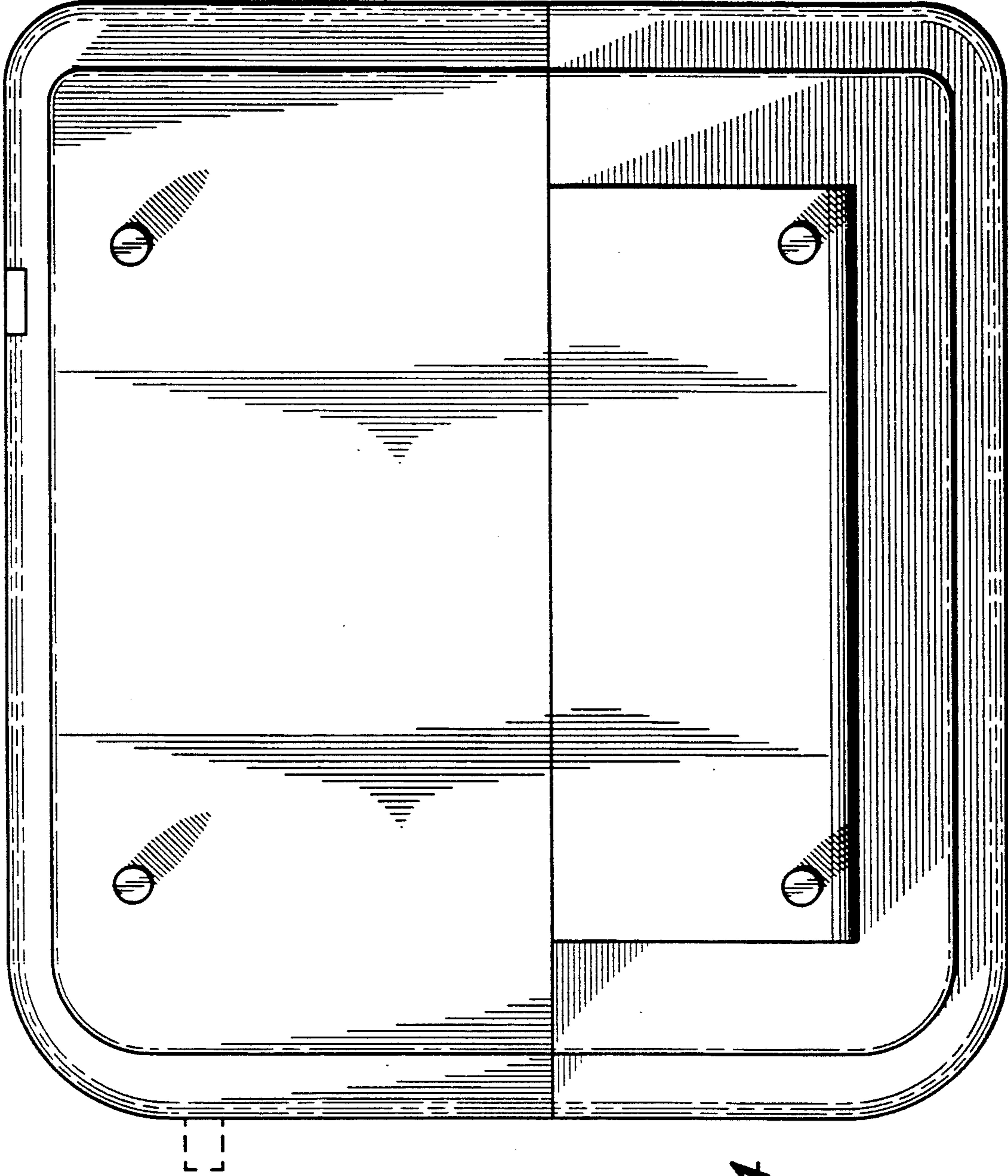


FIG. 4

FIG. 5

