



US00D346779S

United States Patent [19]

[11] Patent Number: **Des. 346,779**

Liscinsky

[45] Date of Patent: **** May 10, 1994**

[54] **LUGGAGE AND MATERIAL CARRIER FOR A VEHICLE**

Primary Examiner—James M. Gandy
Attorney, Agent, or Firm—Dykema Gossett

[76] Inventor: **Mark E. Liscinsky**, 2175 Garry,
Troy, Mich. 48084

[57] **CLAIM**

The ornamental design for a luggage and material carrier for a vehicle, as shown and described.

[**] Term: **14 Years**

DESCRIPTION

[21] Appl. No.: **1,802**

FIG. 1 is a top, front and left side perspective view of a luggage & material carrier for a vehicle showing my new design, with a portion of a vehicle illustrated by broken lines for illustrative purposes only and forms no part of the claimed design;

[22] Filed: **Nov. 20, 1992**

[52] U.S. Cl. **D12/413**

[58] Field of Search 224/273, 42.03 R, 42.03 A,
224/42.42, 42.43, 42.44; 296/37.1; 280/769;
D12/157

FIG. 2 is an enlarged top view thereof;

FIG. 3 is an enlarged front elevational view thereof;

FIG. 4 is an enlarged left side elevational view thereof, the right side elevational view being a mirror image thereof;

[56] **References Cited**

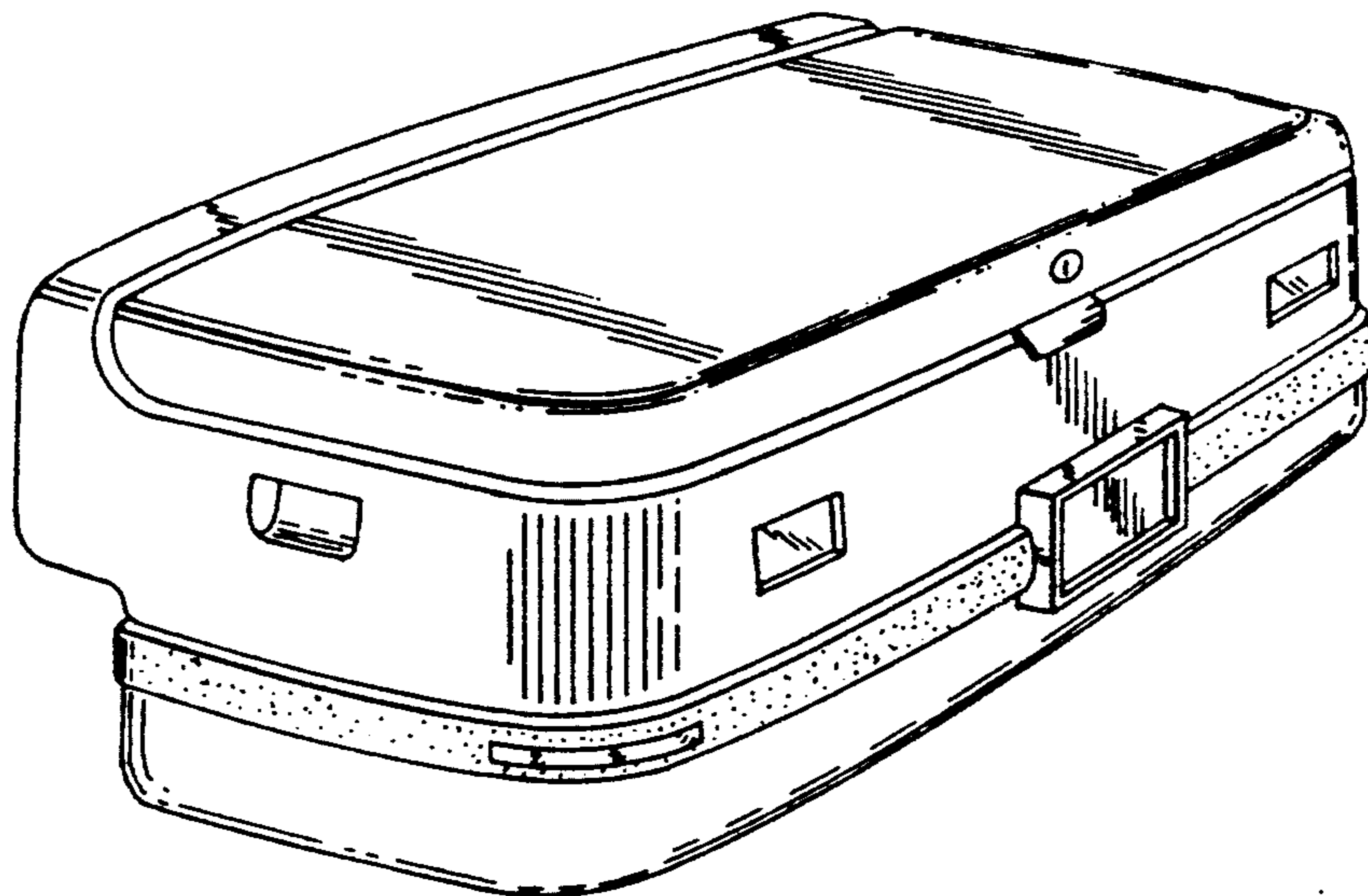
U.S. PATENT DOCUMENTS

4,593,840	6/1986	Chown	224/42.03 A
4,671,439	6/1987	Grownweg	224/42.03 A
4,844,528	7/1989	Johnson	296/37.1
4,915,276	4/1990	Devito	224/42.43
5,033,662	7/1991	Godlin	224/42.43
5,038,983	8/1991	Tomososki	280/769
5,106,002	4/1992	Smith et al.	224/42.03 A

FIG. 5 is an enlarged rear elevational view thereof;

FIG. 6 is an enlarged bottom view thereof; and,

FIG. 7 is a perspective view of a luggage and material carrier for a vehicle showing a second embodiment of my new design the only differences residing in the addition of brake lights and a license plate holder.



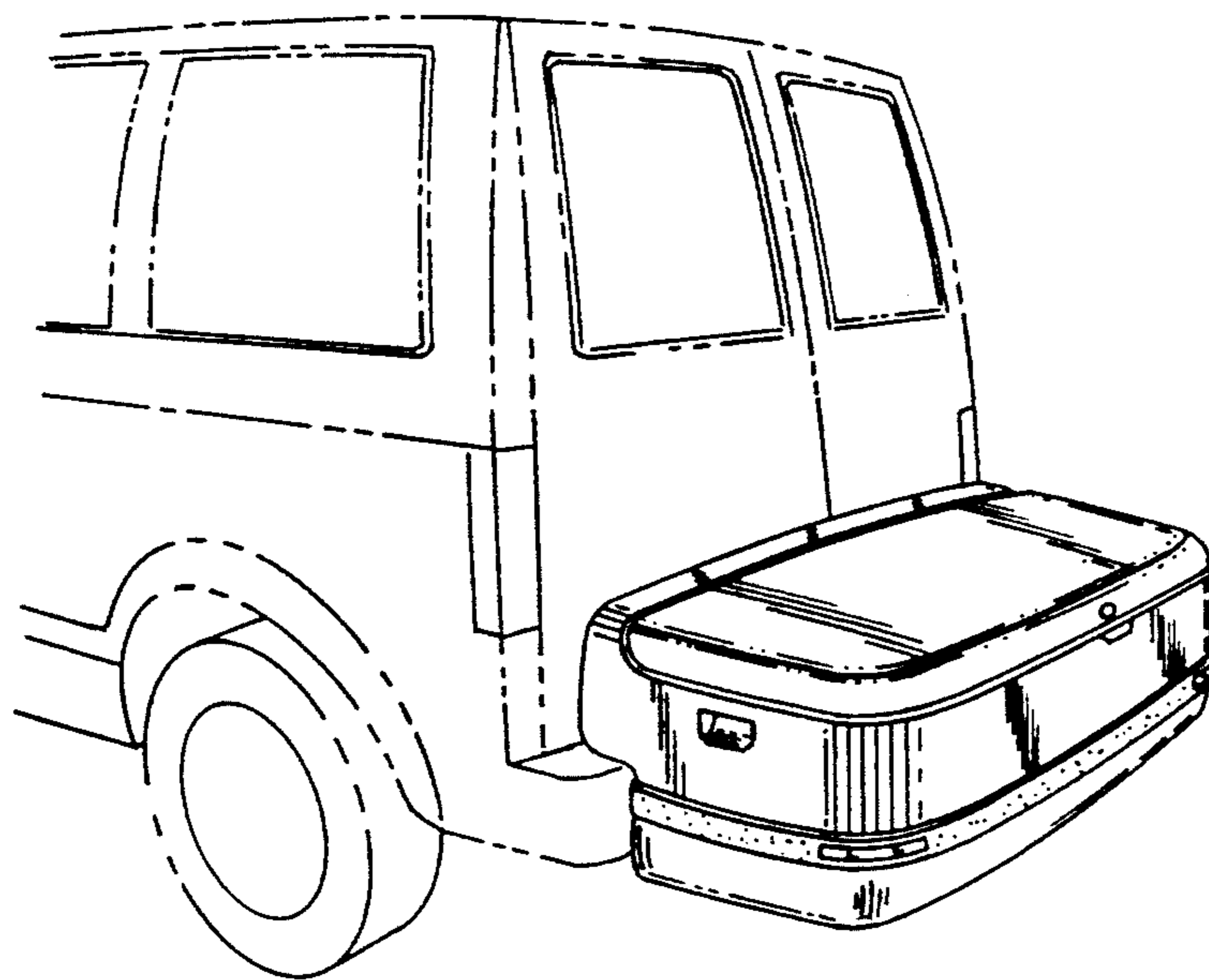


FIG. 1

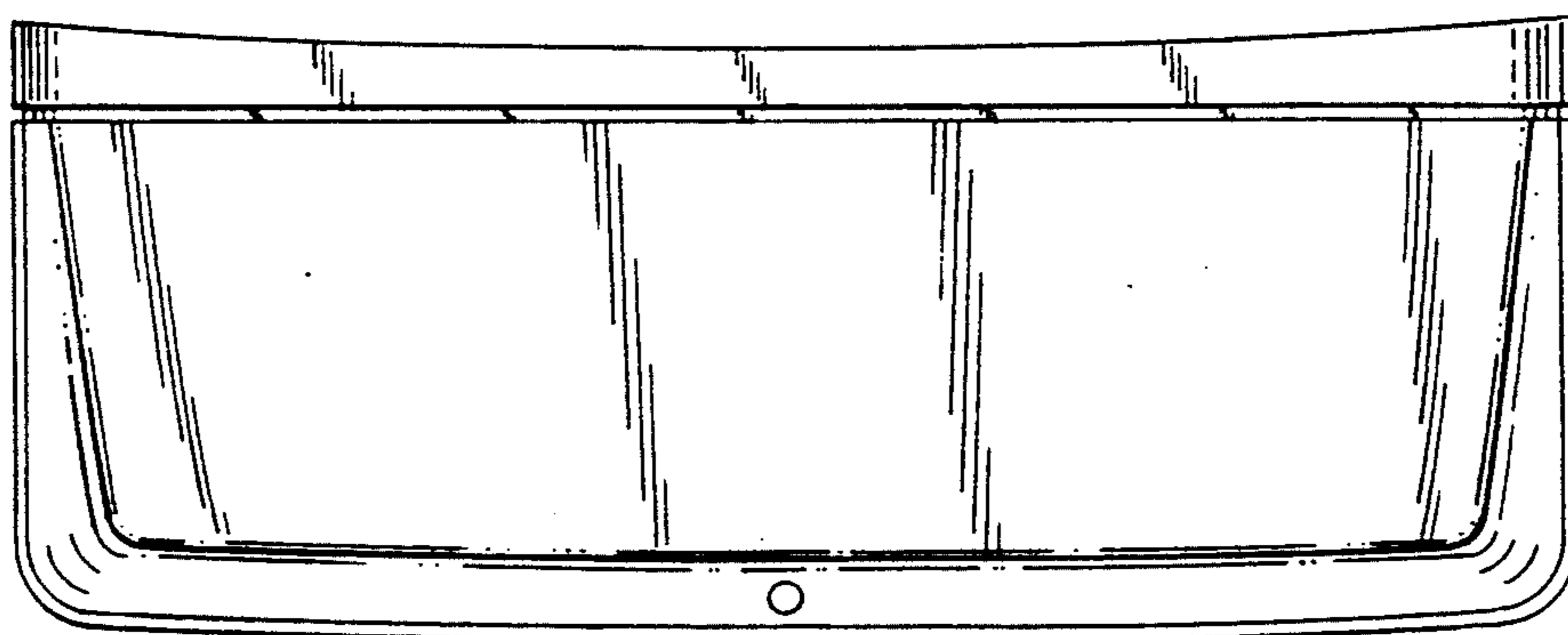


FIG. 2

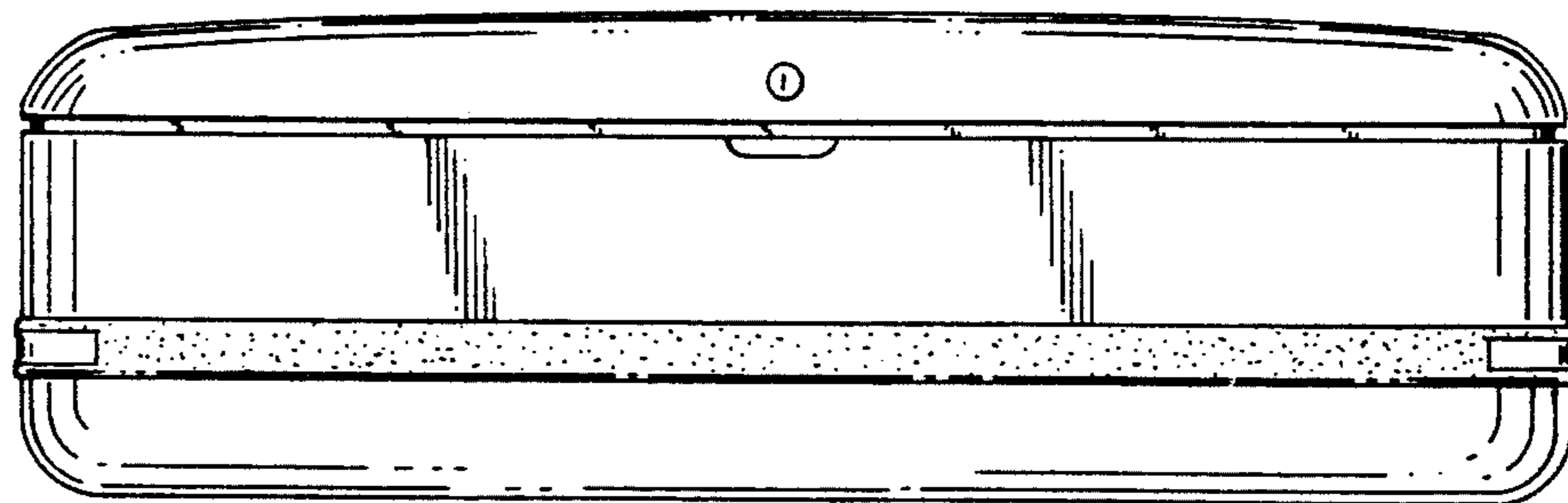


FIG. 3

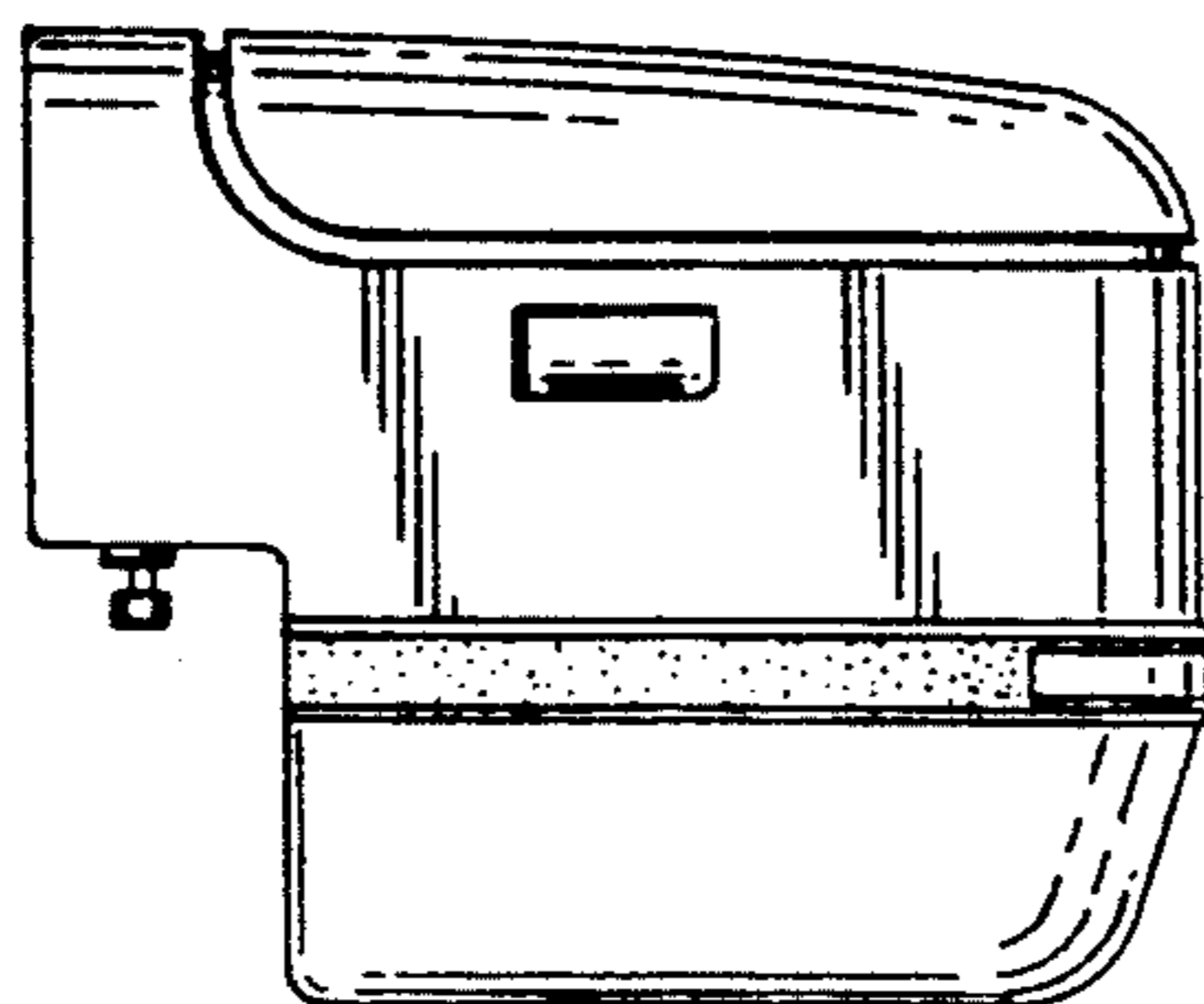


FIG. 4

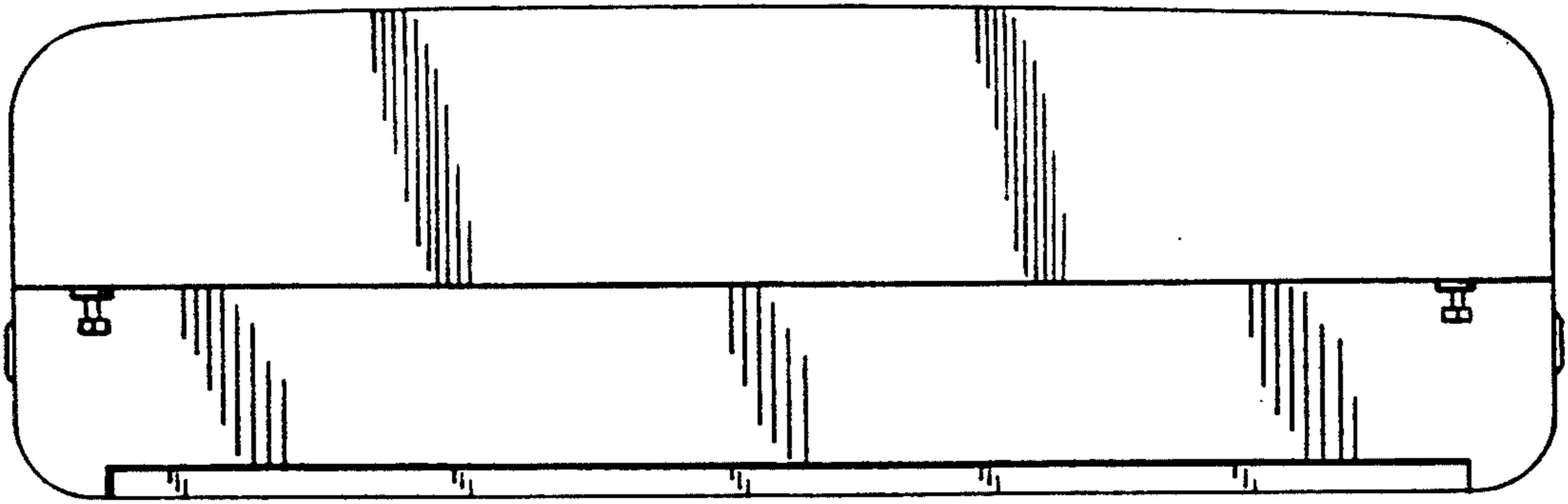


FIG. 5

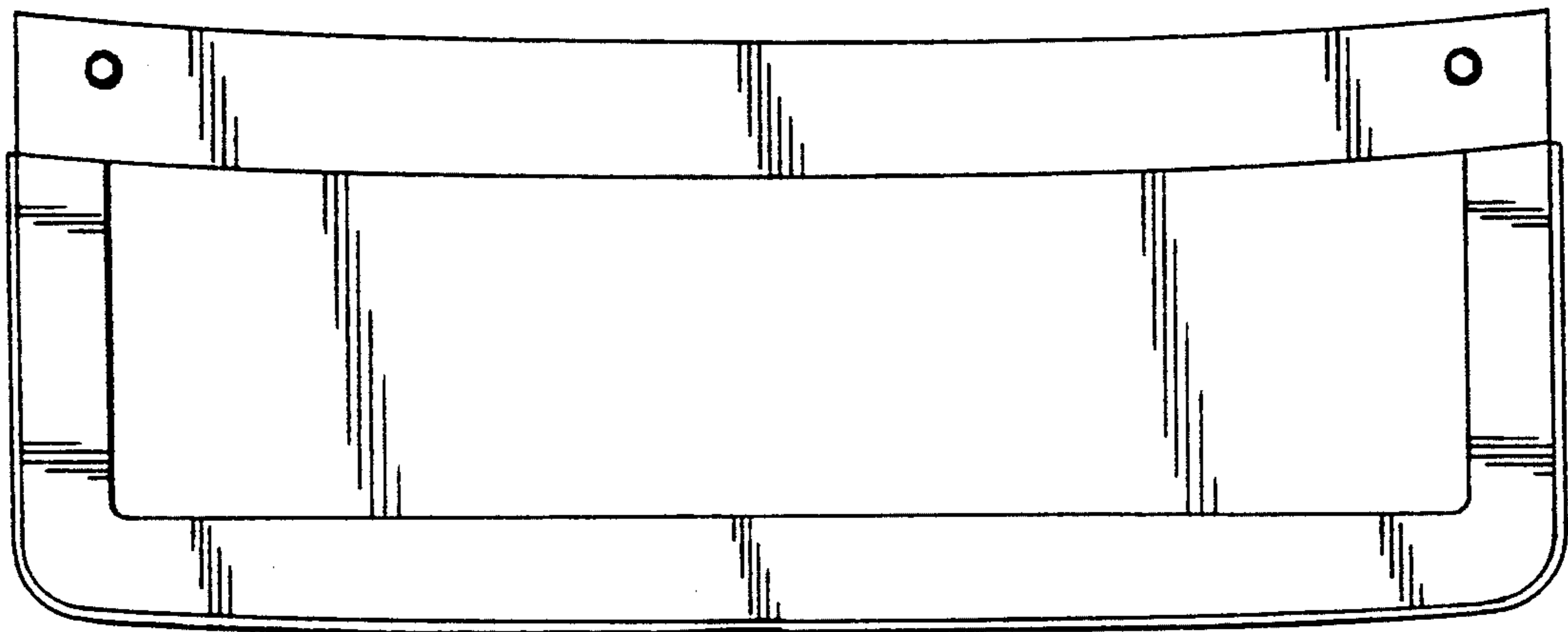


FIG. 6

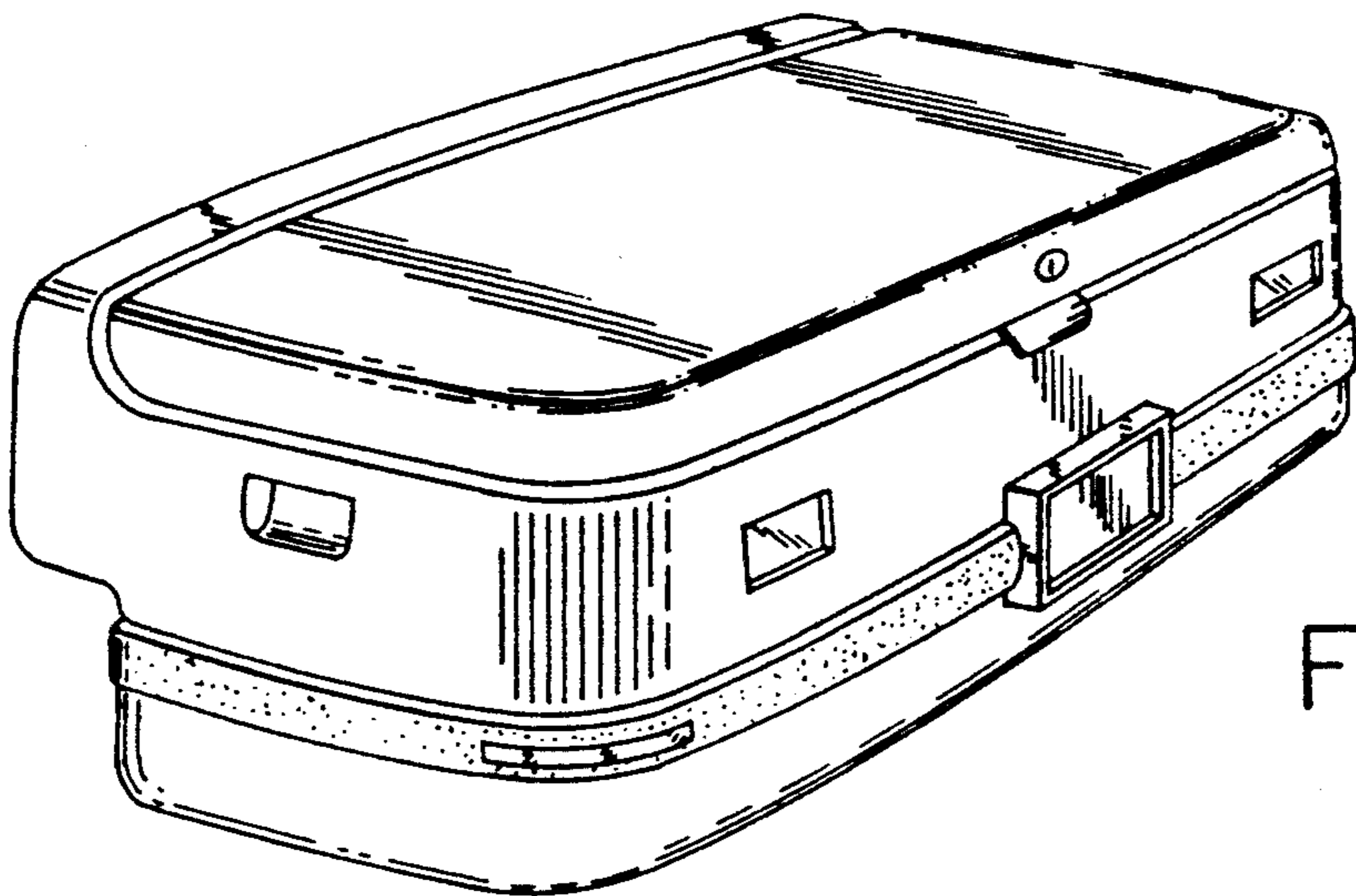


FIG. 7