



US00D346777S

United States Patent [19]

[11] Patent Number: **Des. 346,777**

Haas et al.

[45] Date of Patent: **** May 10, 1994**

[54] **MOTORCYCLE TIRE**

[56] **References Cited**

[75] Inventors: **Johann Haas; Ernst Mader**, both of Munich, Fed. Rep. of Germany

U.S. PATENT DOCUMENTS

D. 95,249 4/1935 Hargraves D12/147
D. 295,159 4/1988 Mader D12/147

[73] Assignee: **Metzeler Reifen GmbH**, Breuberg, Fed. Rep. of Germany

Primary Examiner—James M. Gandy
Attorney, Agent, or Firm—Herbert L. Lerner; Laurence A. Greenberg

[**] Term: **14 Years**

[57] CLAIM

[21] Appl. No.: **932,007**

The ornamental design for a motorcycle tire, as shown and described.

[22] Filed: **Aug. 18, 1992**

DESCRIPTION

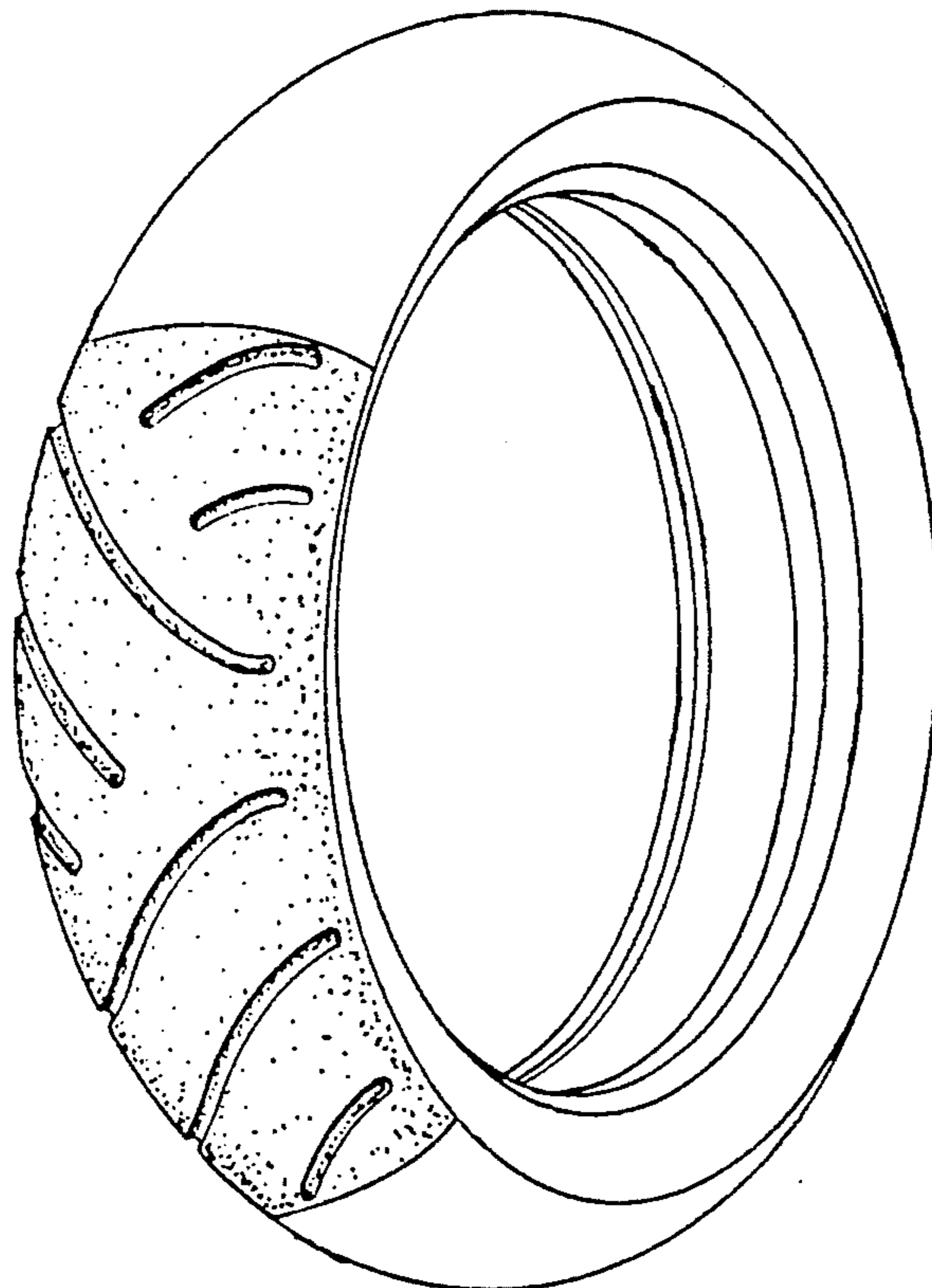
[30] Foreign Application Priority Data

Feb. 18, 1992 [DE] Fed. Rep. of Germany M9201490.9

[52] U.S. Cl. **D12/151**

[58] Field of Search 152/209 R, 209 A, 209 D; D12/136, 146-151

FIG. 1 is a perspective view of a motorcycle tire showing our new design, it being understood that the tread pattern is repeated uniformly throughout the circumference of the tire as shown schematically by solid lines, the opposite side being the same as that shown; and, FIG. 2 is an enlarged fragmentary front elevation view of the tread pattern thereof.



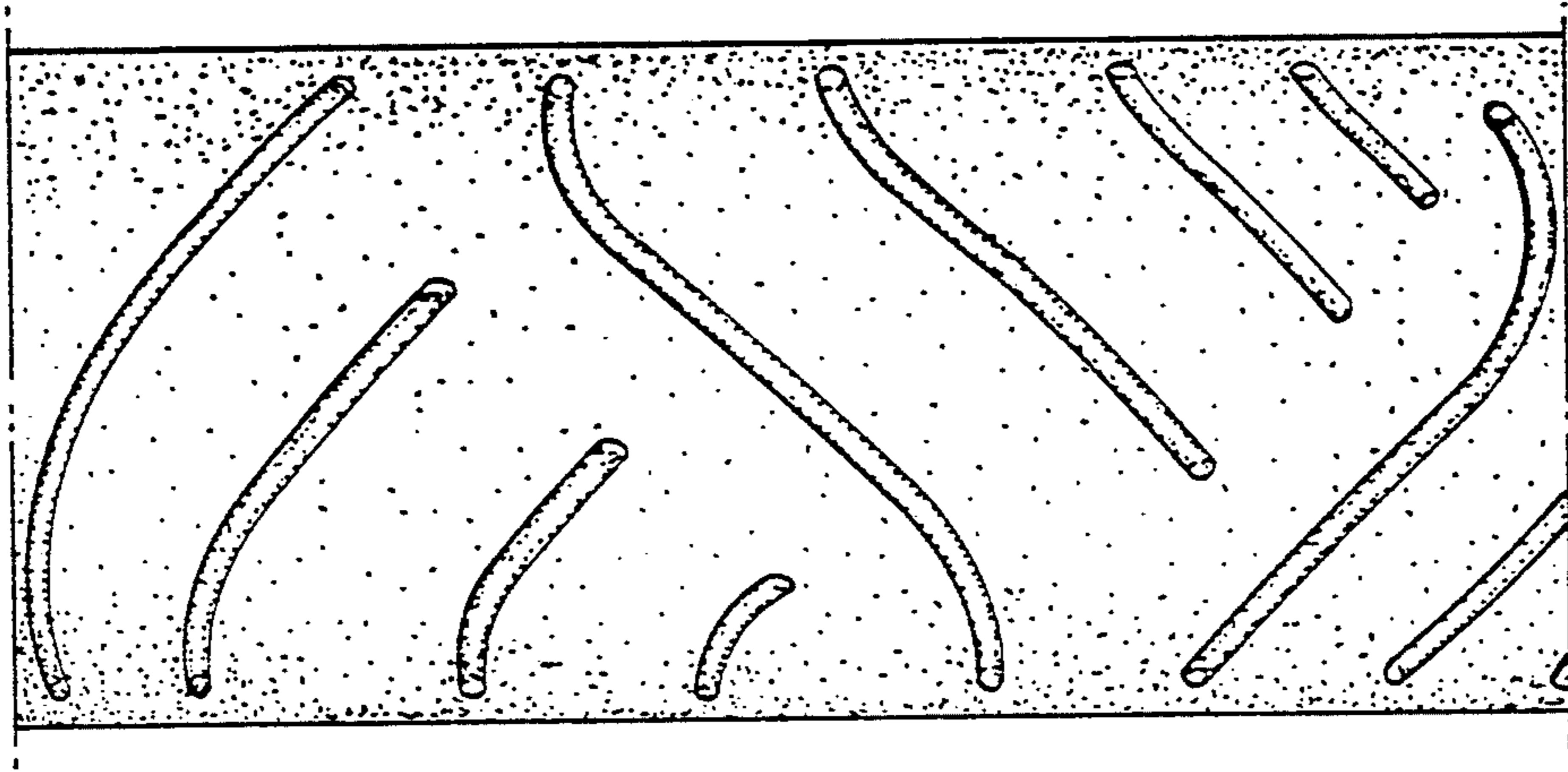


Fig. 2

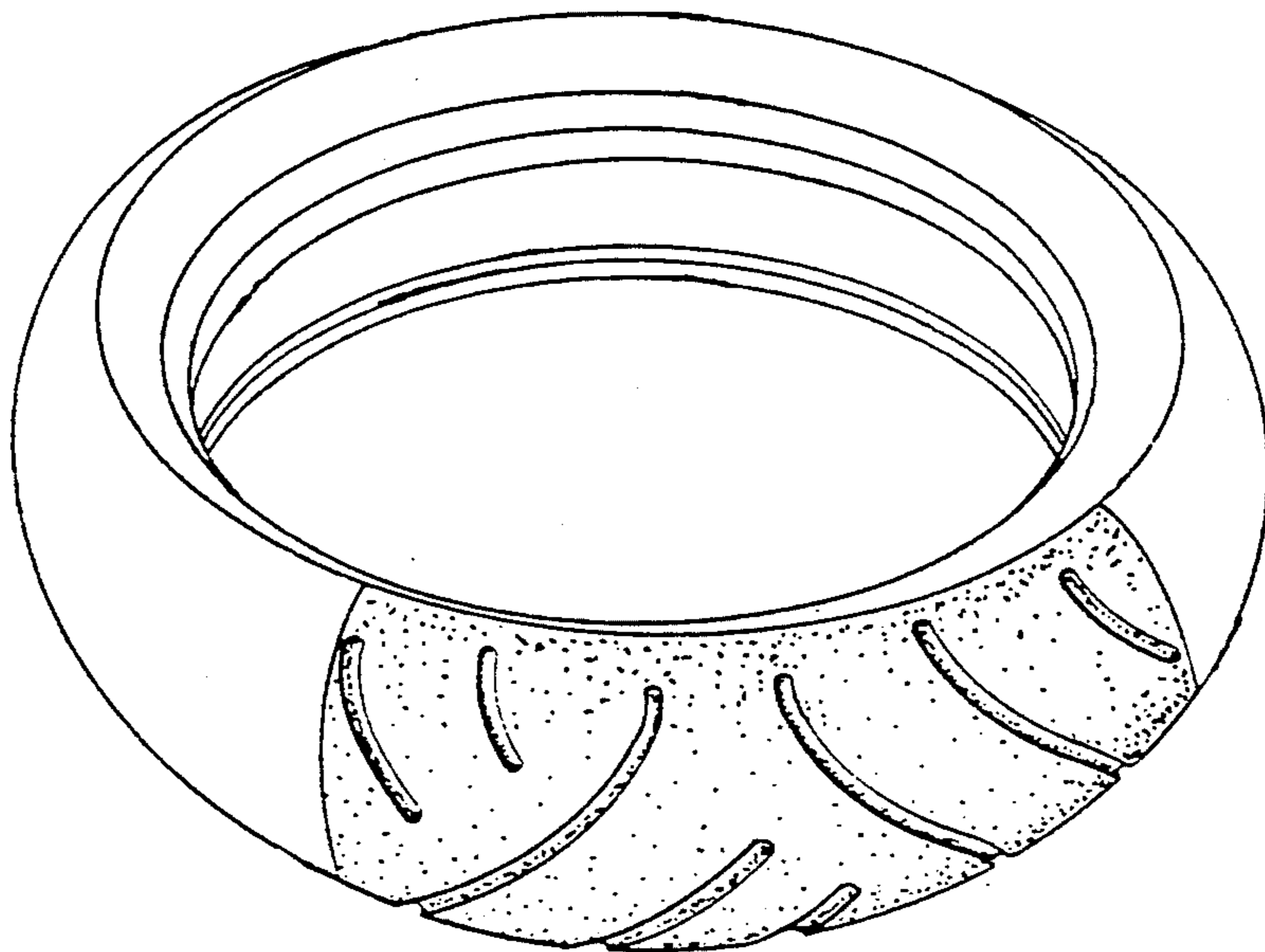


Fig. 1