



US00D346773S

# United States Patent [19]

[11] Patent Number: **Des. 346,773**

Sarver et al.

[45] Date of Patent: **\*\* May 10, 1994**

## [54] MOTORCYCLE STARTER HOUSING

*Attorney, Agent, or Firm*—Gregory J. Nelson

[76] Inventors: **Glenn M. Sarver**, 17415 N. 15th Ave.;  
**Rick A. Solesbee**, 19210 N. 15th Ave., both of Phoenix, Ariz. 85027

## [57] CLAIM

The ornamental design for a motorcycle starter housing, as shown and described.

[\*\*] Term: **14 Years**

## DESCRIPTION

[21] Appl. No.: **2,371**

FIG. 1 is a perspective view of a motorcycle starter housing showing our design;

[22] Filed: **Dec. 10, 1992**

FIG. 2 is a front view thereof;

[52] U.S. Cl. .... **D12/126**

FIG. 3 is a rear view thereof;

[58] Field of Search ..... 280/288.4; D12/126,  
D12/114

FIG. 4 is a top view thereof;

FIG. 5 is a bottom view thereof;

## [56] References Cited

FIG. 6 is a side view thereof viewed from the right side as shown in FIG. 1;

### U.S. PATENT DOCUMENTS

D. 280,495 9/1985 Stuhel ..... D12/126

FIG. 7 is a left side view thereof;

D. 290,245 6/1987 Opitz ..... D12/126

FIG. 8 is a perspective view of a motorcycle starter housing showing a second embodiment of our new design;

### OTHER PUBLICATIONS

Drag Specialties Catalog, 1987, p. 264, the starter end cover, 325517 and chrome starter cover, 376598.

FIG. 9 is a front view of FIG. 8;

FIG. 10 is a rear view of FIG. 8;

FIG. 11 is a top view of FIG. 8;

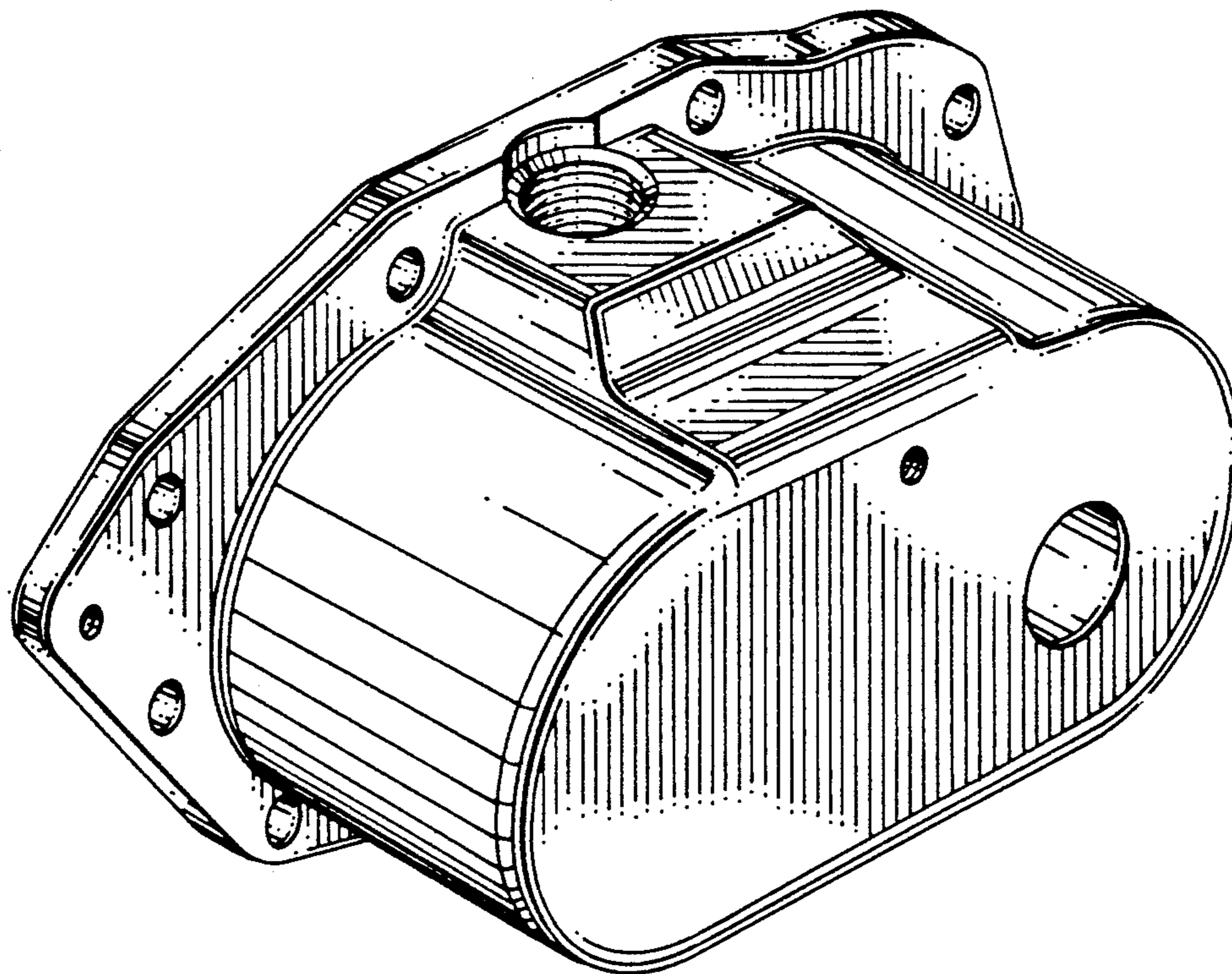
FIG. 12 is a bottom view of FIG. 8;

FIG. 13 is a right side view of FIG. 8; and,

FIG. 14 is a left side view of FIG. 8.

*Primary Examiner*—Wallace R. Burke

*Assistant Examiner*—M. Brown



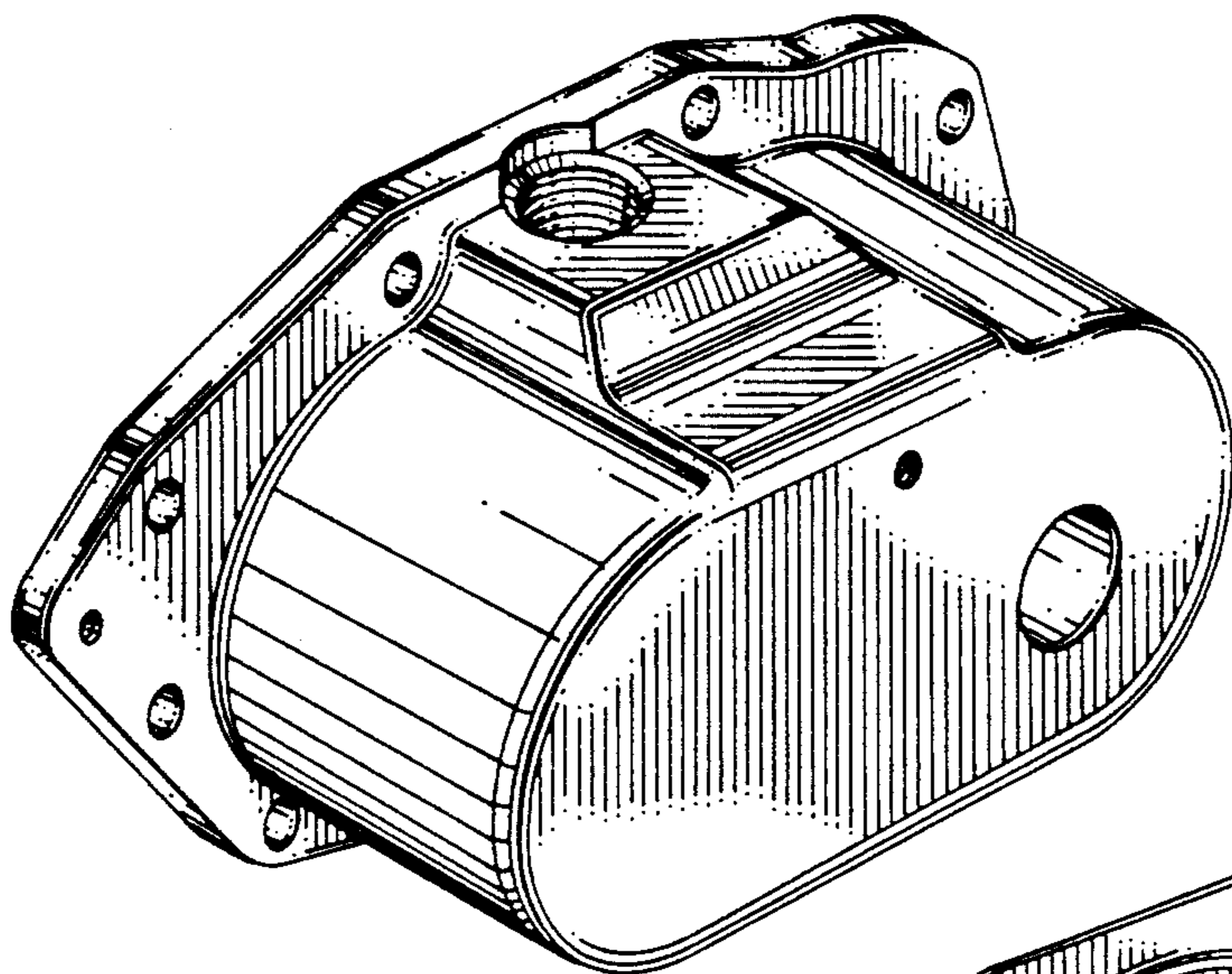


FIG. 1

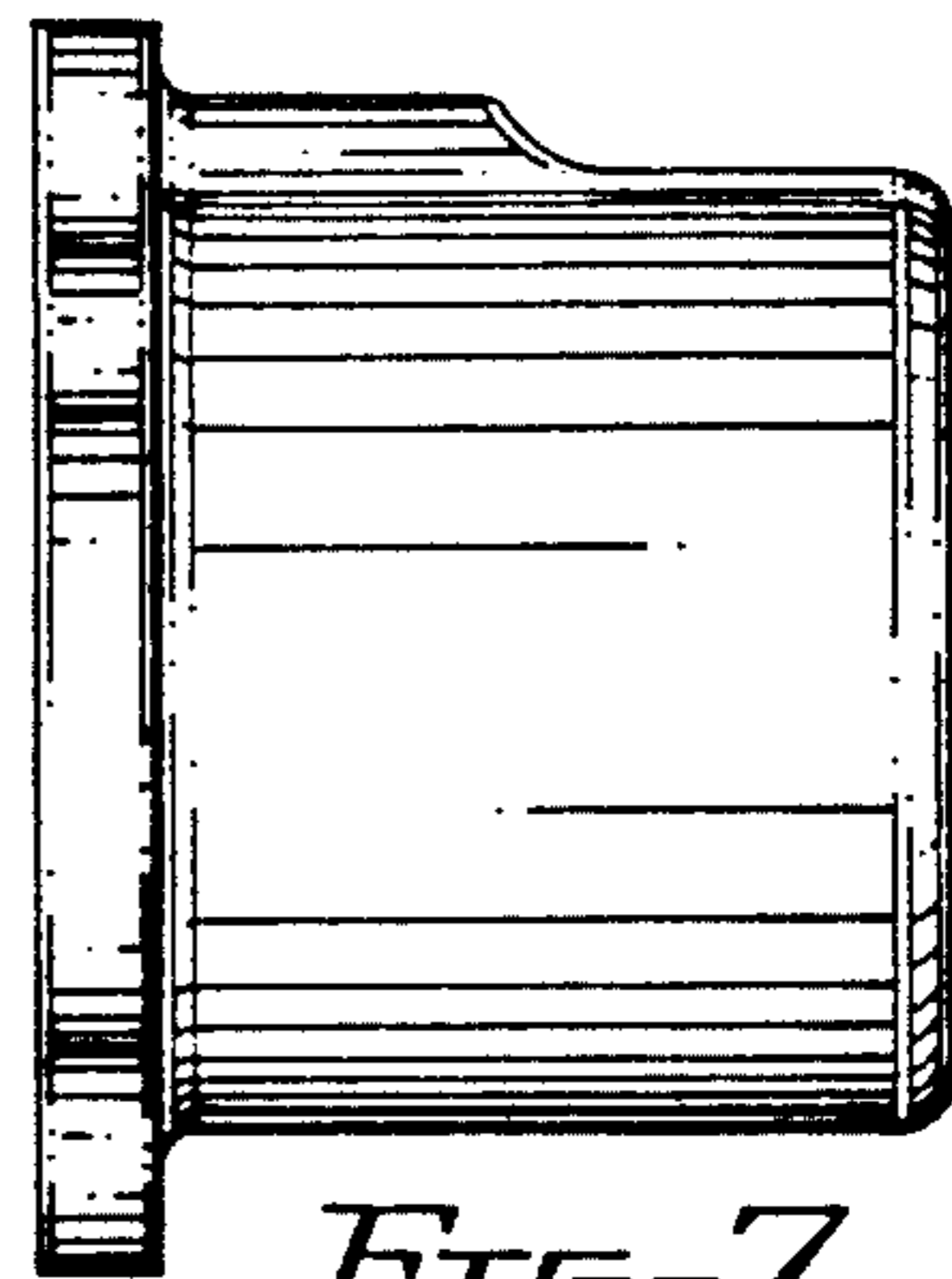


FIG. 7

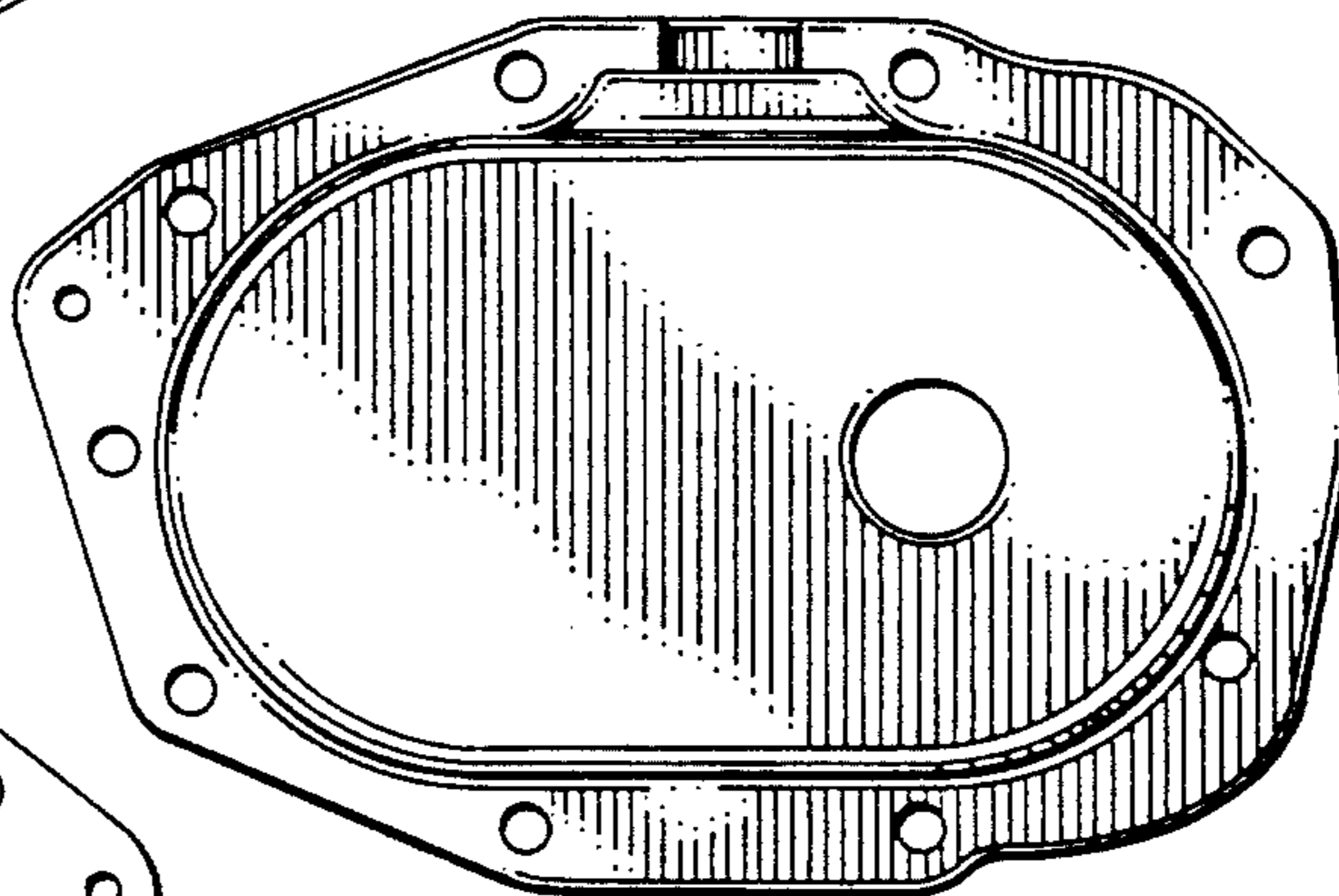


FIG. 2

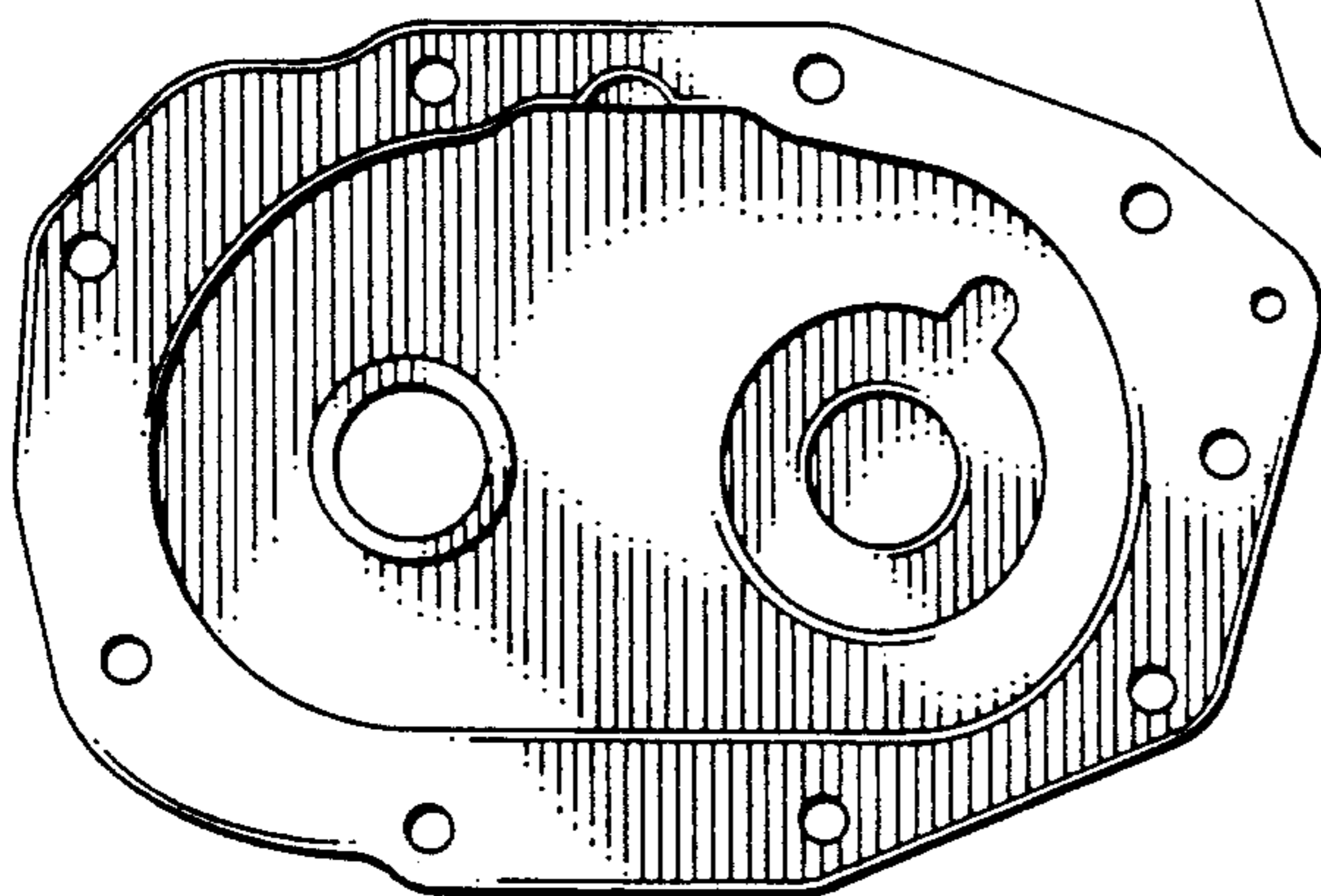


FIG. 3

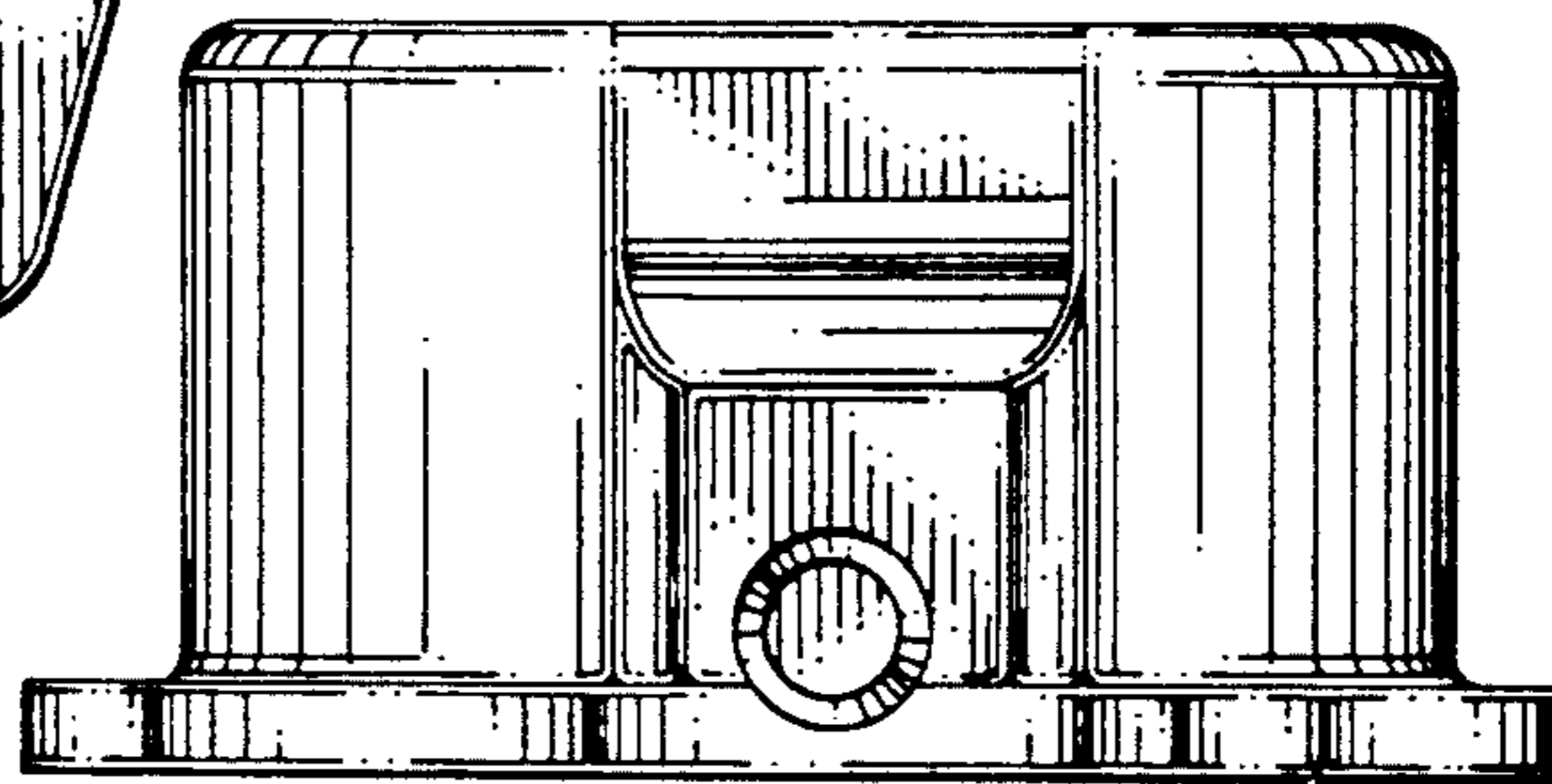


FIG. 4

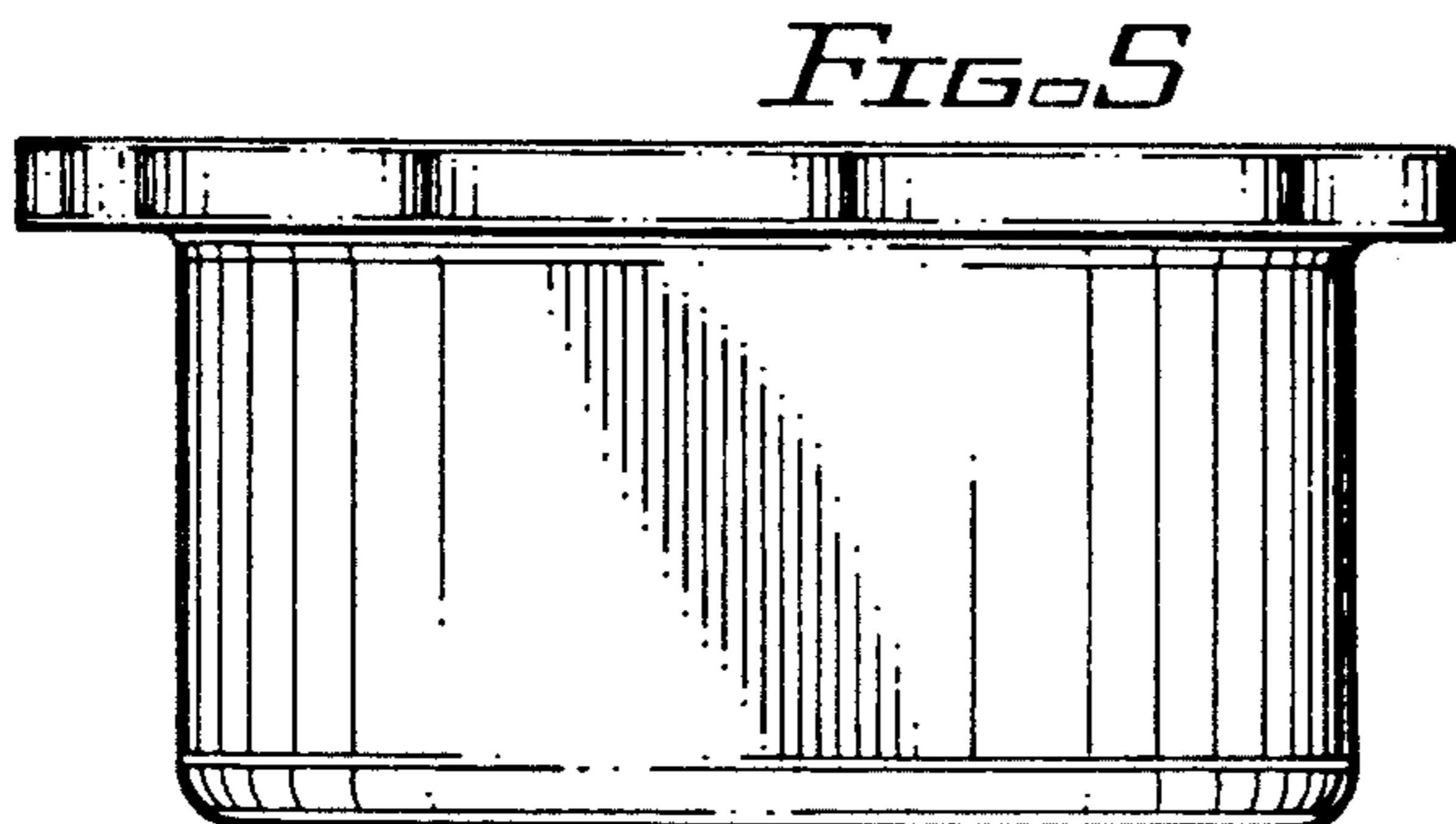


FIG. 5

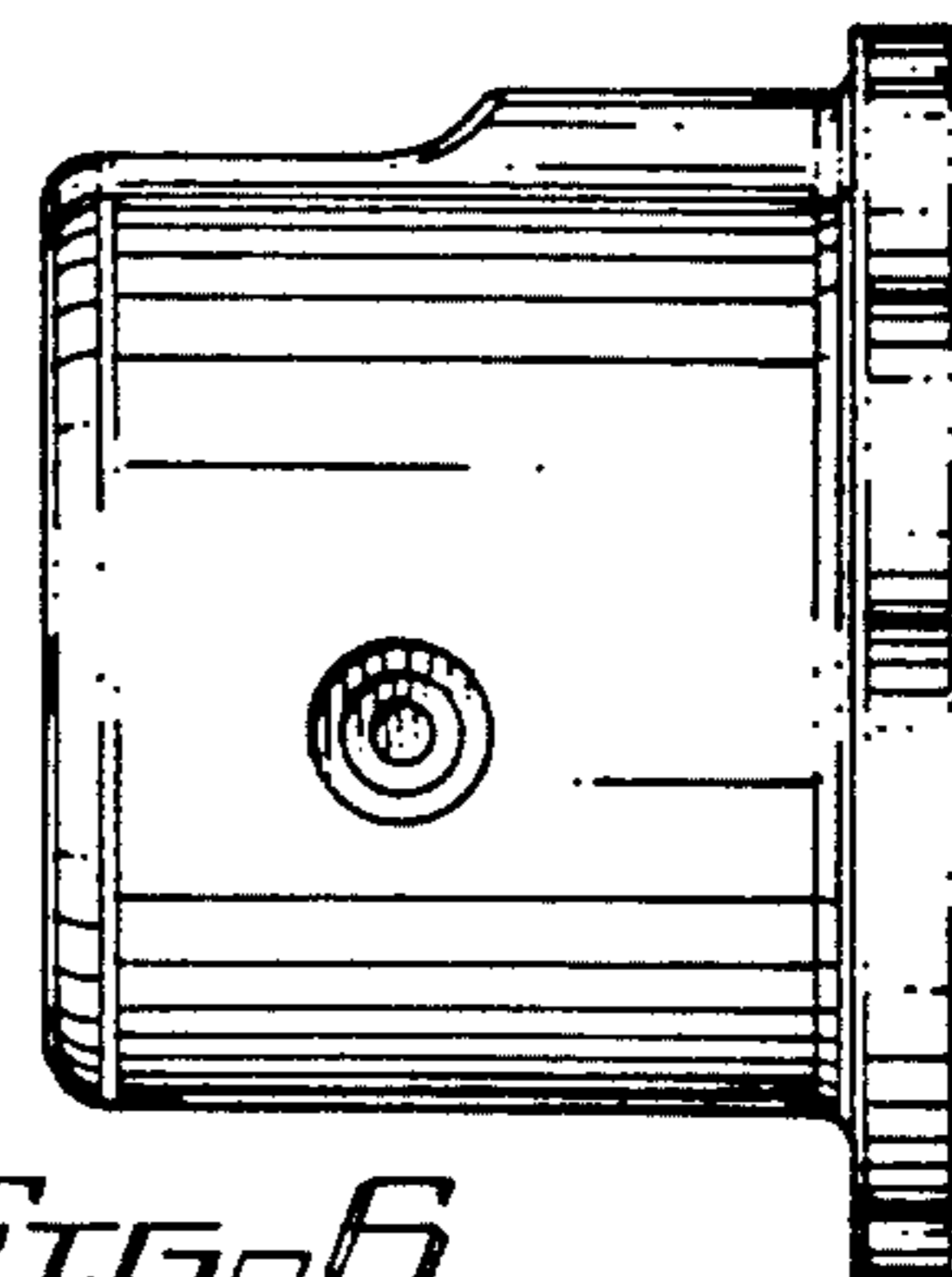


FIG. 6

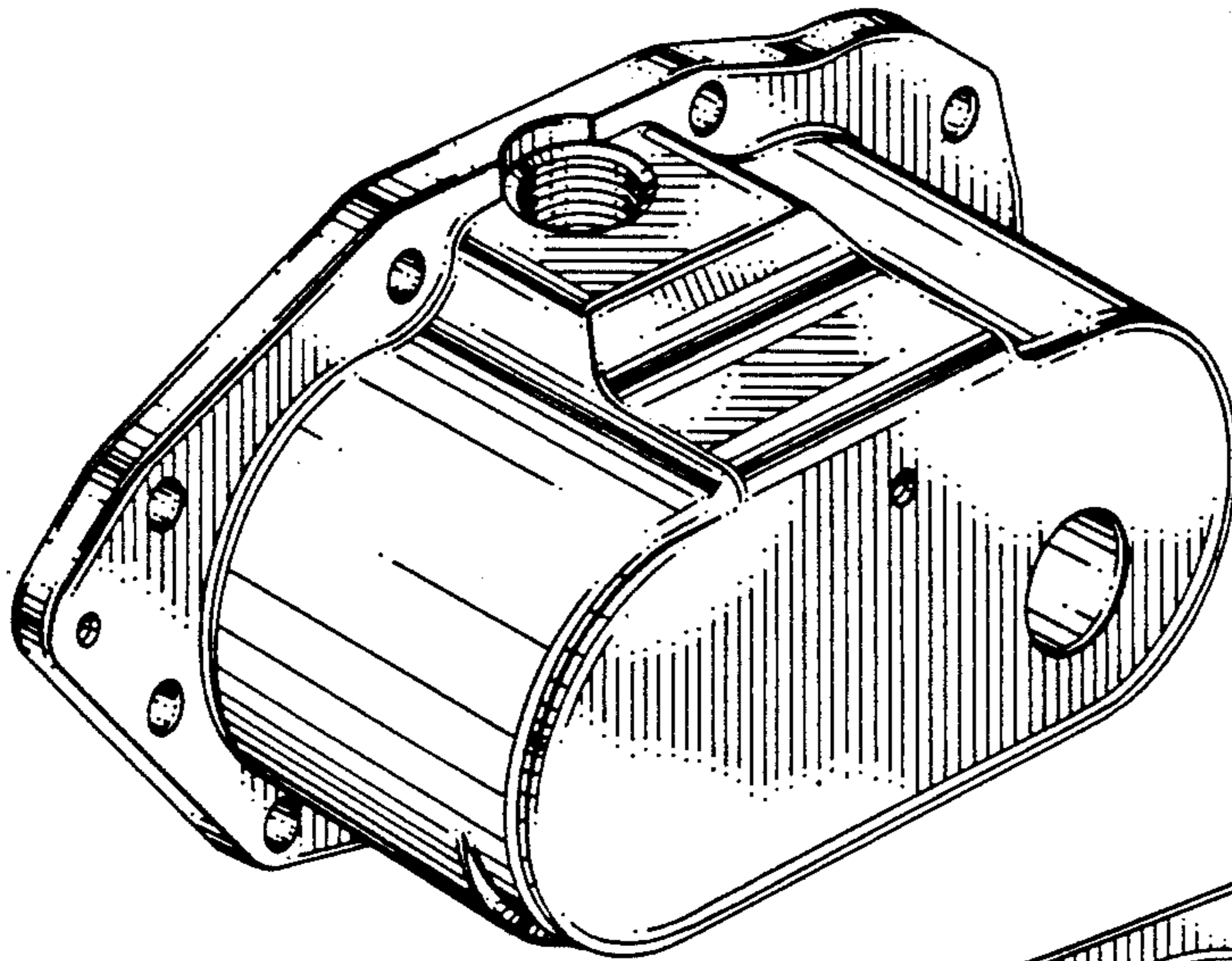


FIG. 8

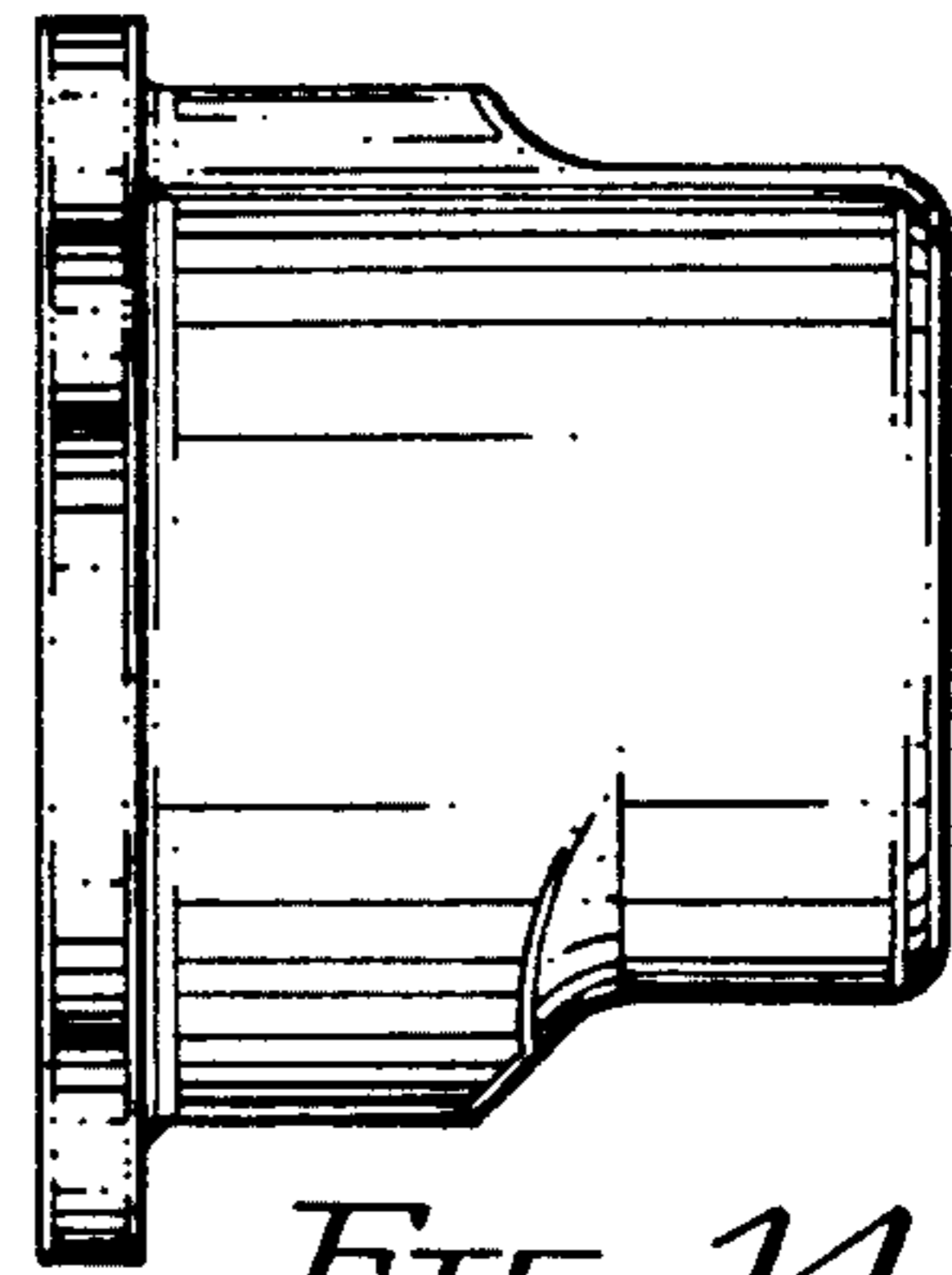


FIG. 14

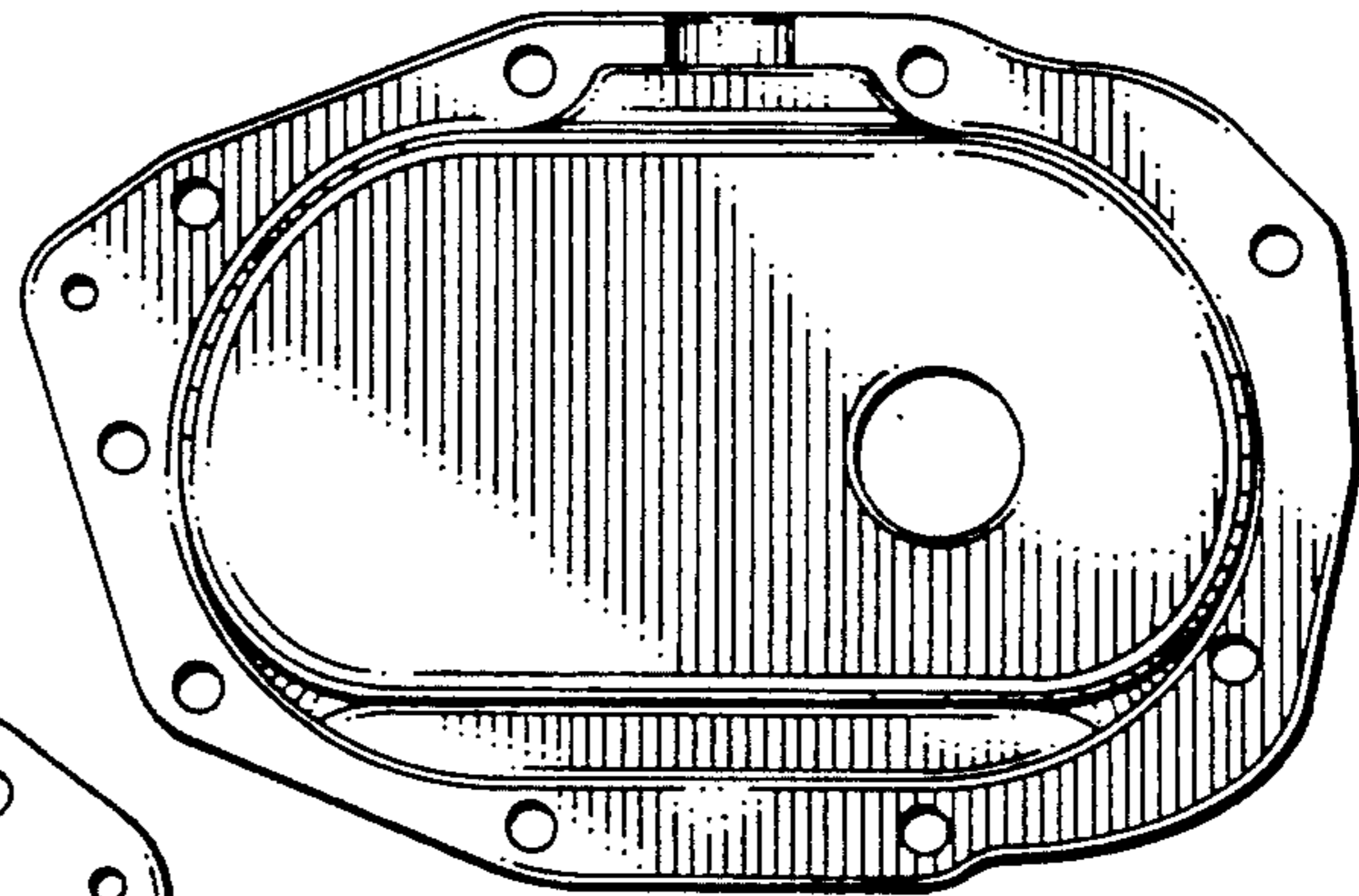


FIG. 9

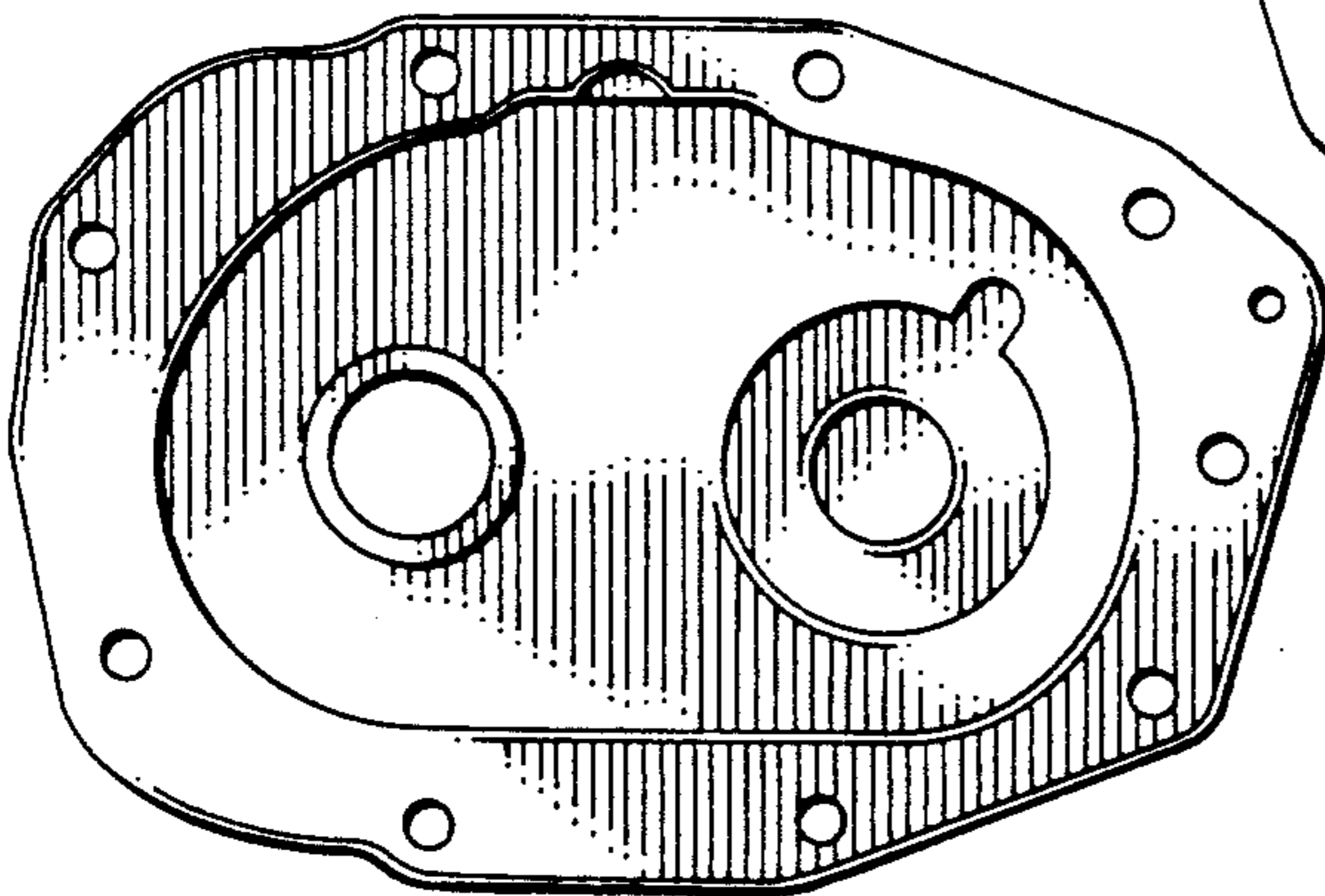


FIG. 10

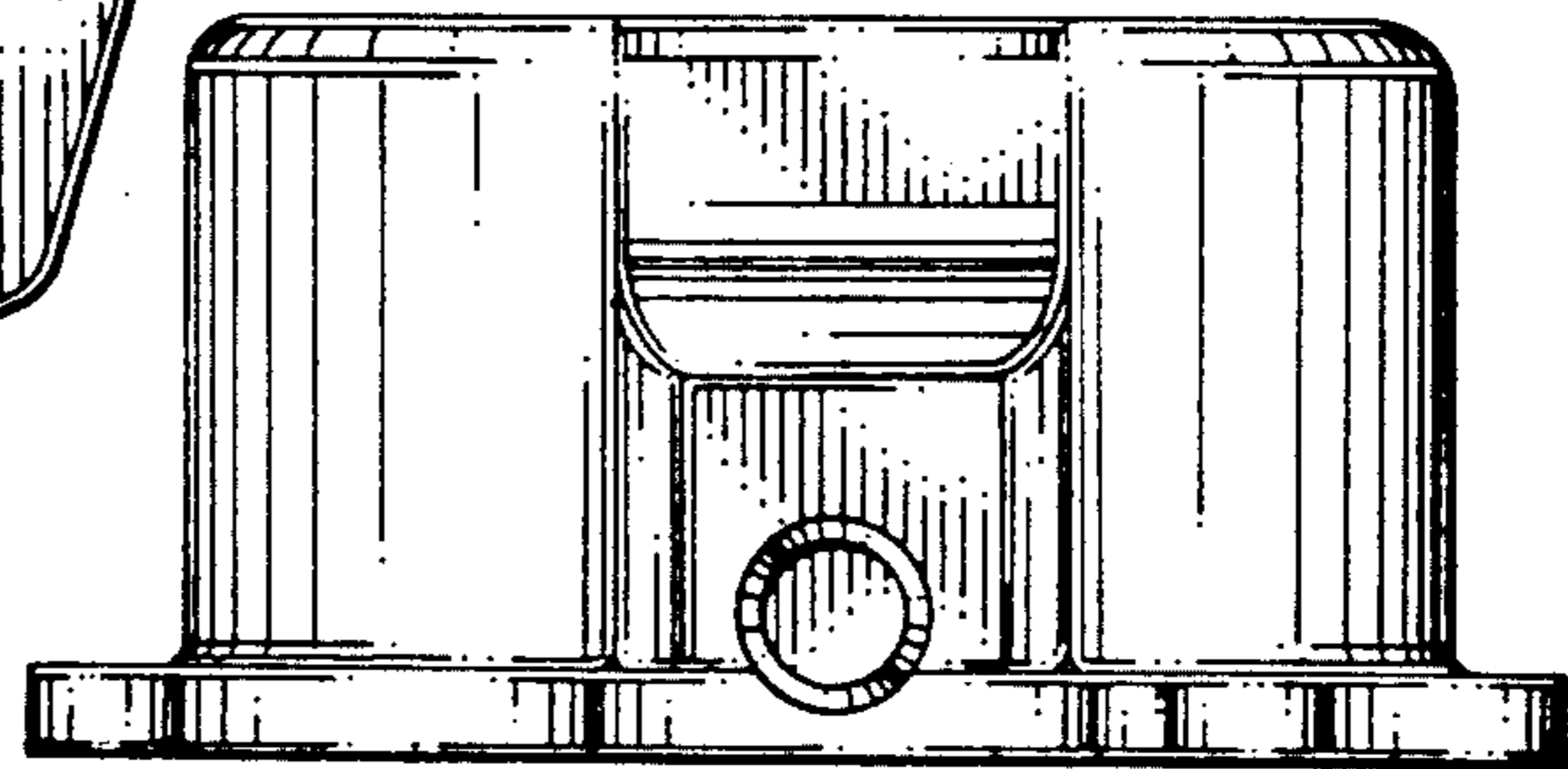


FIG. 11

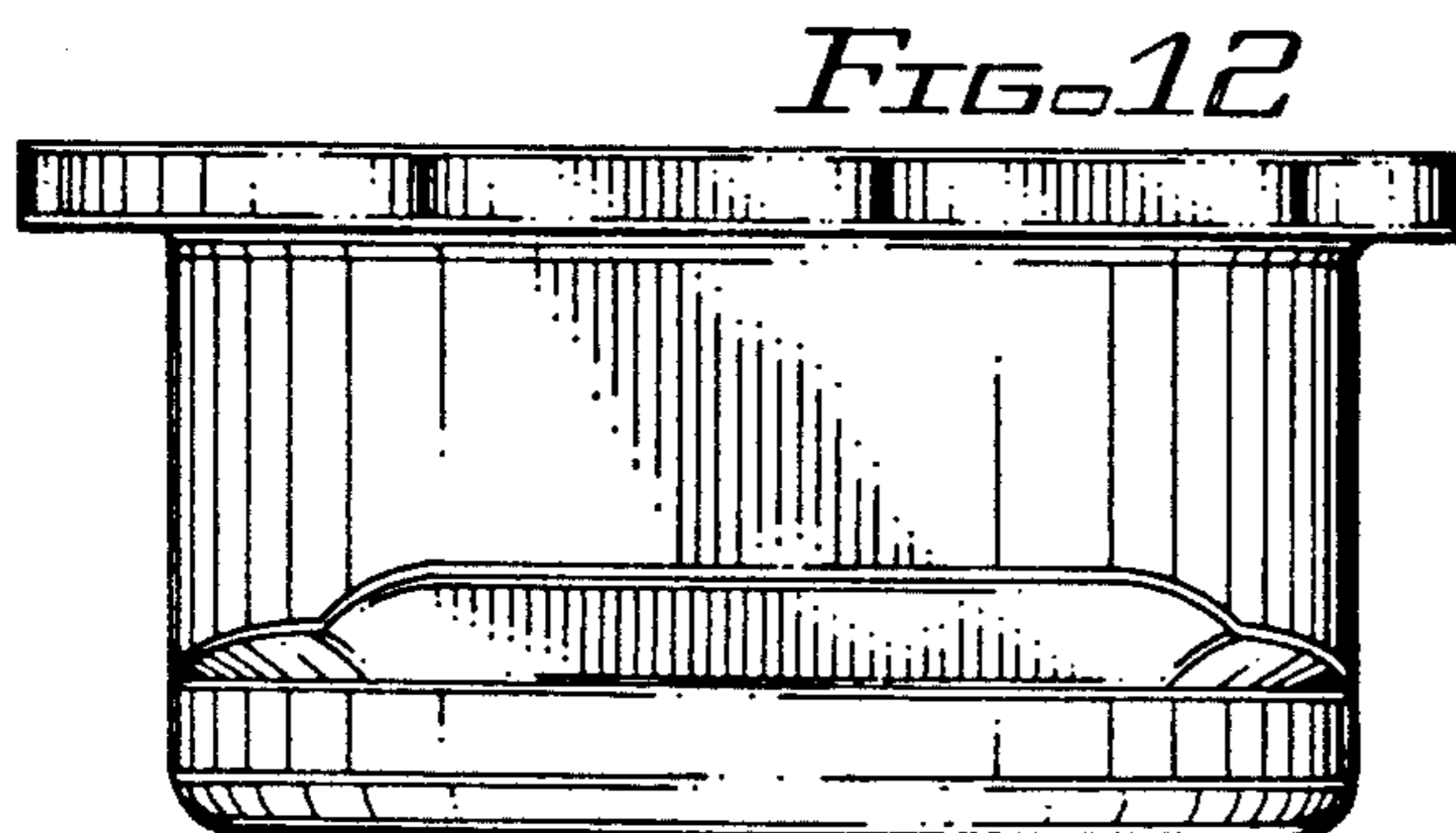


FIG. 12

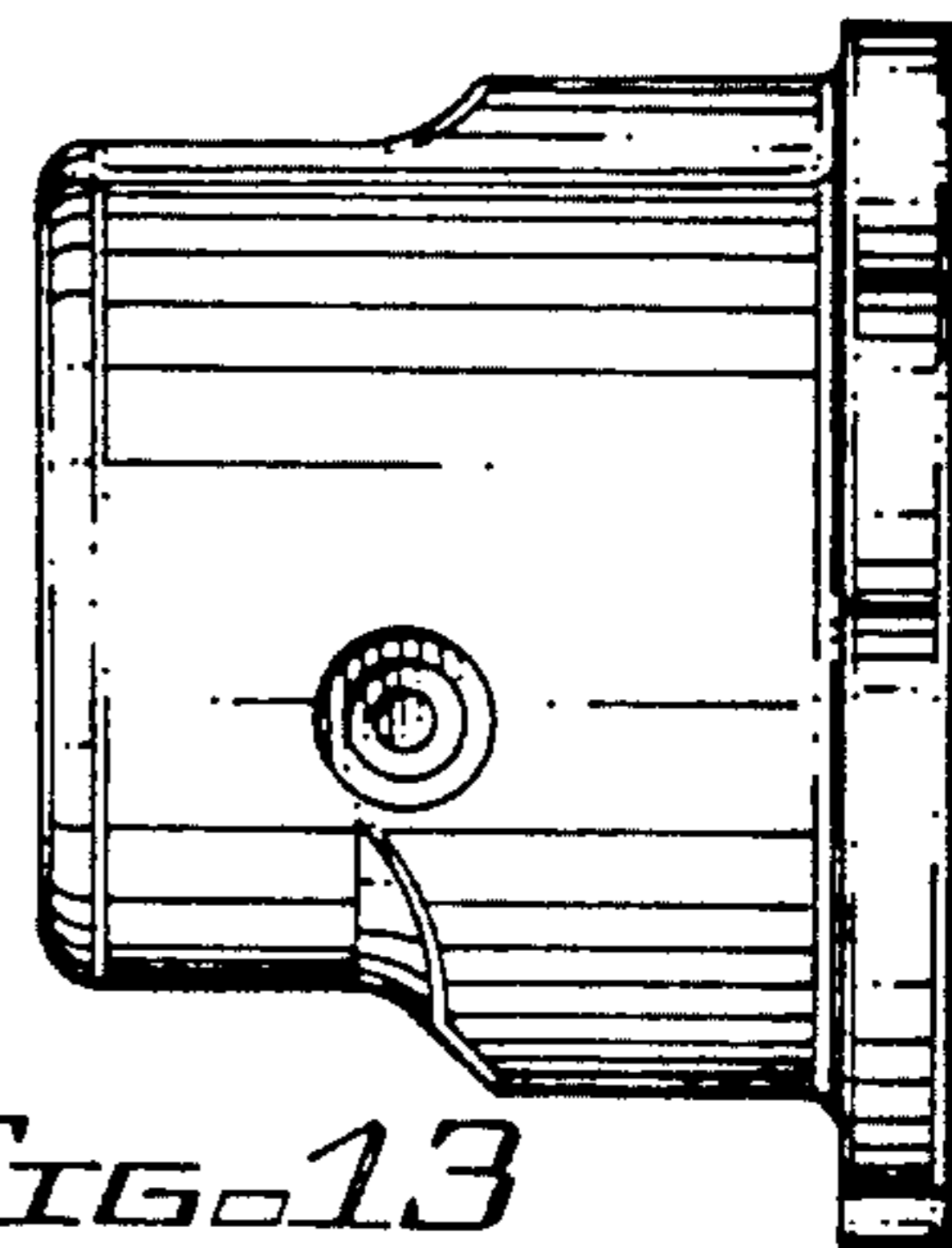


FIG. 13