



US00D346763S

United States Patent [19] Smith

[11] Patent Number: **Des. 346,763**

[45] Date of Patent: **** May 10, 1994**

[54] COMBINATION CARD HOLDER/BUD VASE

3,847,277 11/1974 Doner D11/147 X

[76] Inventor: **Barton P. Smith, 550 S. Erie Hwy.,
Hamilton, Ohio 45011**

[**] Term: **14 Years**

[21] Appl. No.: **1,499**

[22] Filed: **Nov. 16, 1992**

[52] U.S. Cl. **D11/144**

[58] Field of Search **D3/56, 57; D11/143,
D11/144, 152; D19/1, 75; D20/10, 19**

[56] **References Cited**

U.S. PATENT DOCUMENTS

- D. 151,343 10/1948 Greger D19/75
- D. 152,655 2/1949 Rossell D11/144 X
- D. 245,368 8/1977 Mueller D11/143 X
- D. 303,400 9/1989 Higgins, Jr. D19/75 X
- D. 317,327 6/1991 Kheng D19/75
- D. 317,461 6/1991 Willie D19/75
- D. 319,666 9/1991 Kheng D19/75

OTHER PUBLICATIONS

Personal Touch Advertisement, "Acrylic frame", May 1982 p. 105.
Better Homes and Gardens, Mar. 1973 p. 187—"Organizer" Advertisement.

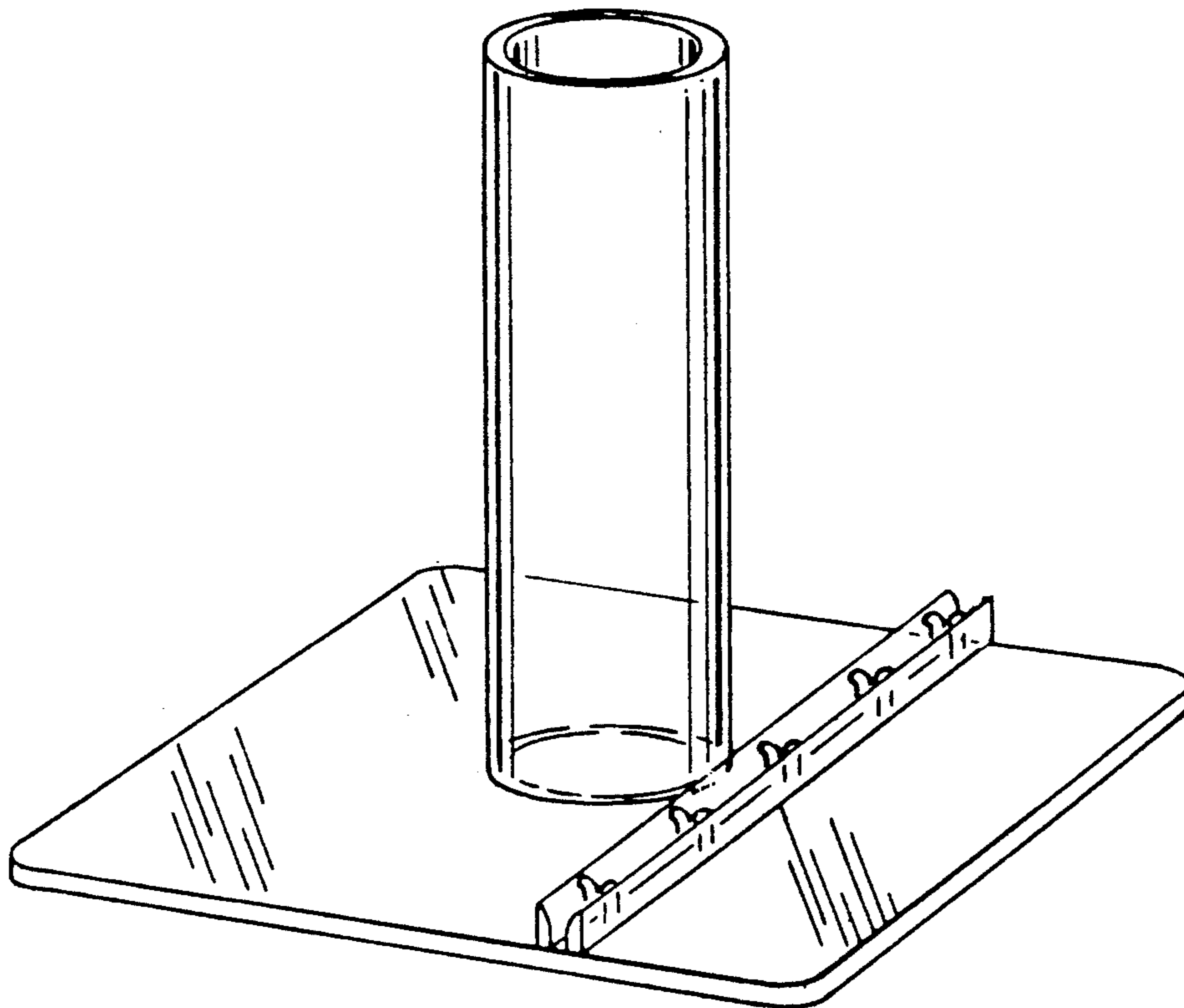
Primary Examiner—Alan P. Douglas
Assistant Examiner—S. Snapp
Attorney, Agent, or Firm—Charles R. Wilson

[57] CLAIM

The ornamental design for a combination card holder/-bud vase, as shown and described.

DESCRIPTION

FIG. 1 is a perspective view of a combination card holder/bud vase showing my new design; FIG. 2 is a front elevational view thereof; FIG. 3 is a top plan view thereof; and, FIG. 4 is a side elevational view thereof.



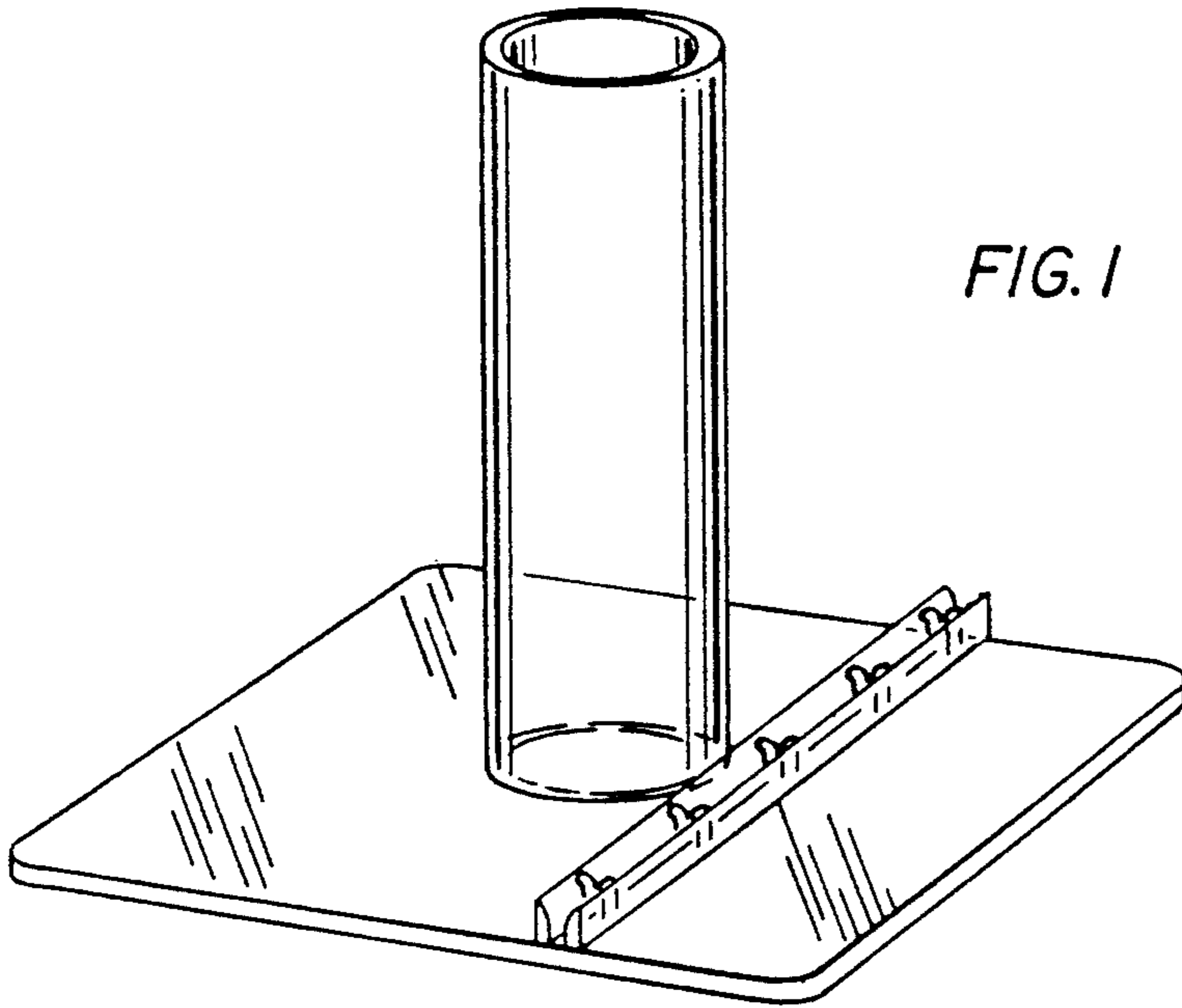


FIG. 1

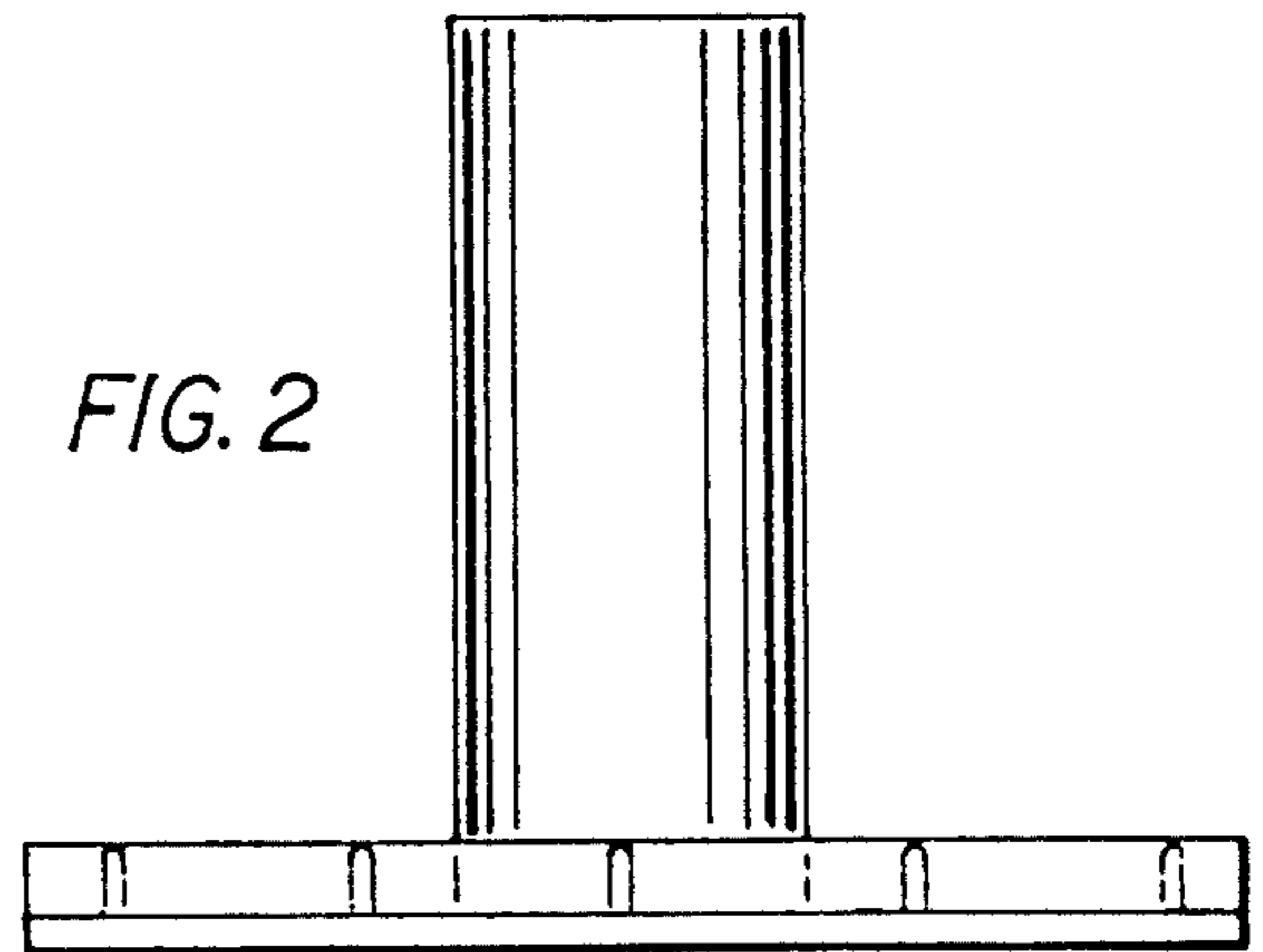


FIG. 2

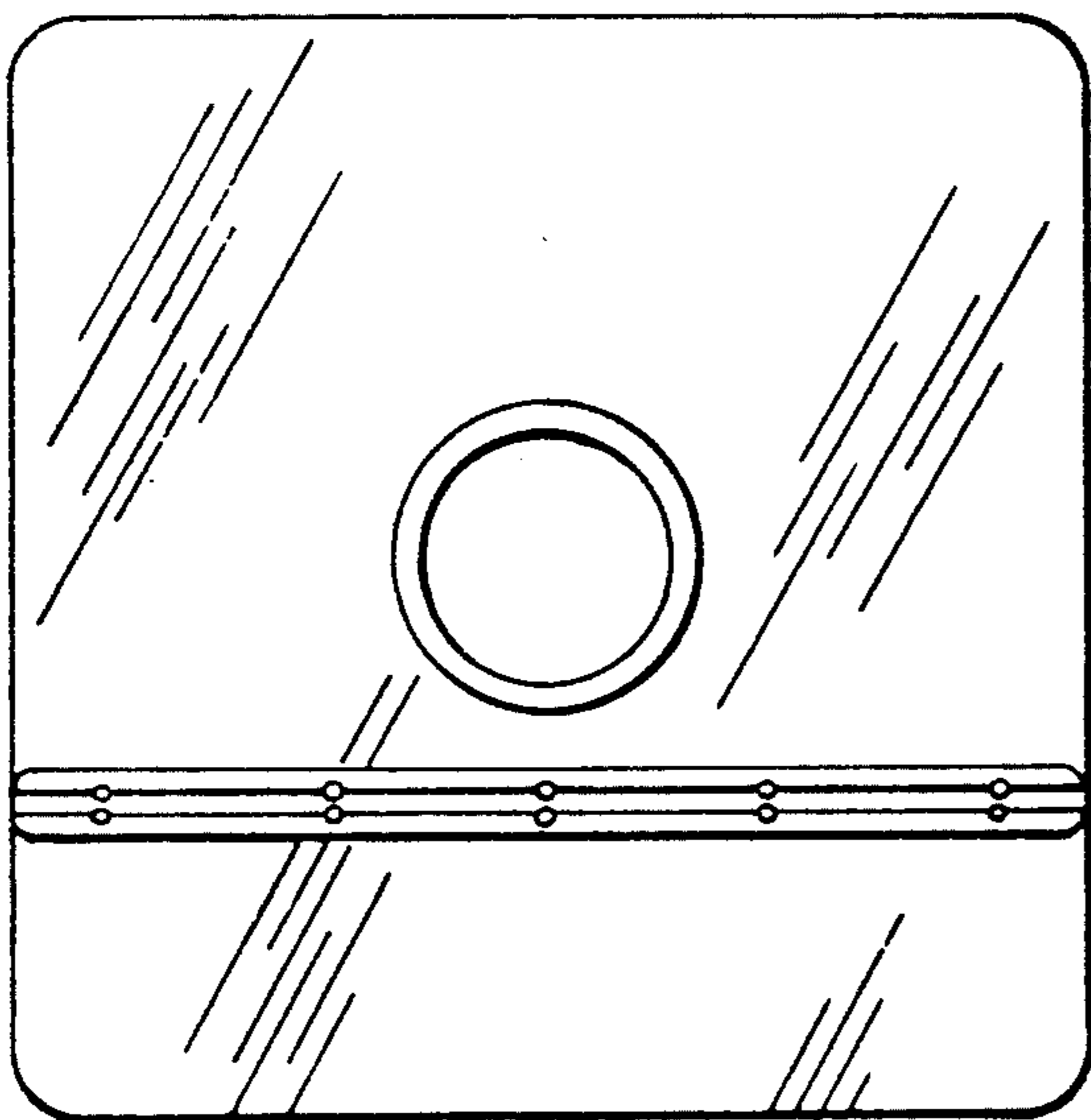


FIG. 3

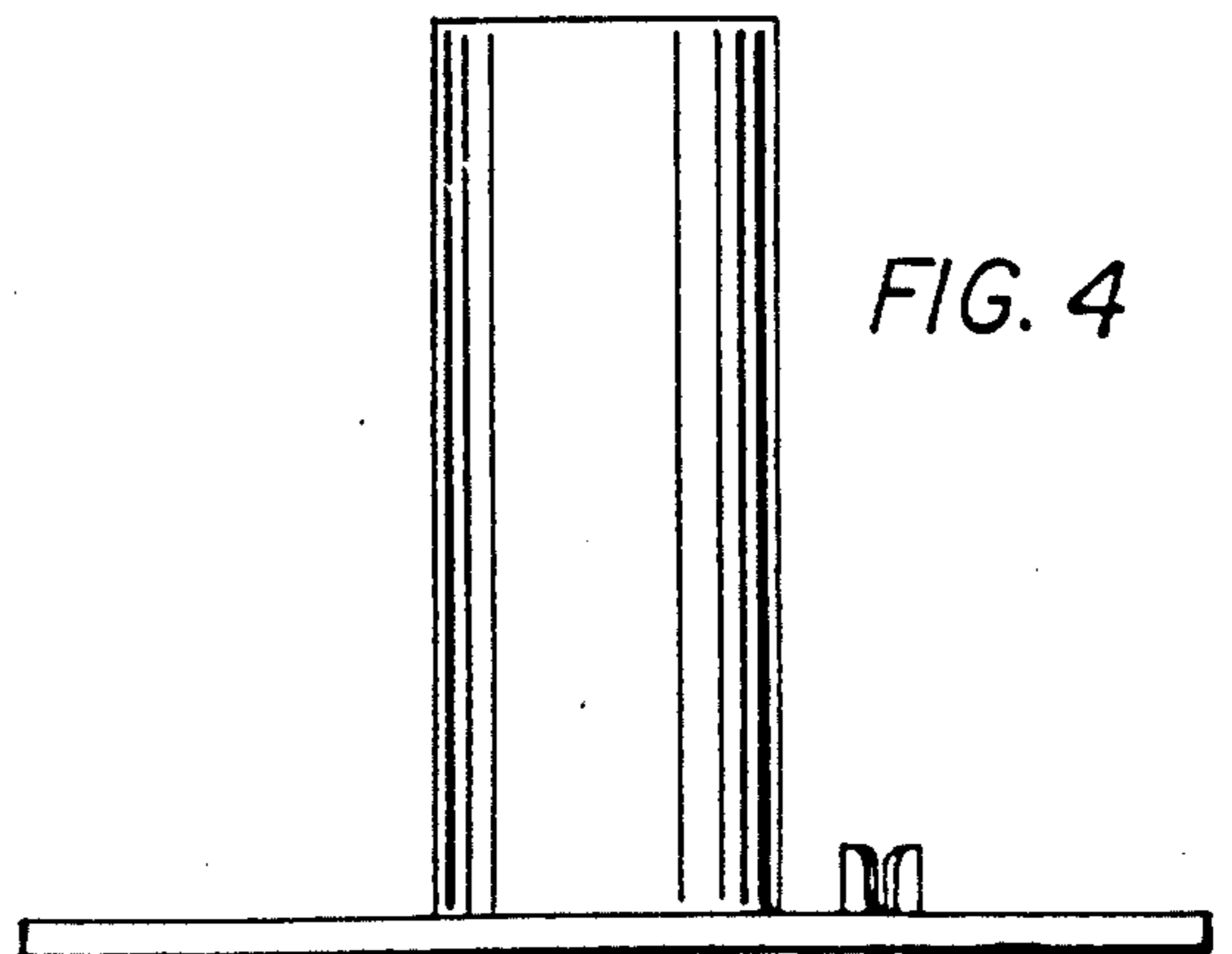


FIG. 4