



US00D346756S

# United States Patent [19]

[11] Patent Number: **Des. 346,756**

Grasso

[45] Date of Patent: **\*\* May 10, 1994**

[54] **PORTABLE AUDIO BABY MONITOR RECEIVER**

D. 310,218 8/1990 Murphy ..... D14/137  
4,718,110 1/1988 Schaefer ..... 455/128 X

[76] Inventor: **Mark A. Grasso**, 20748 Pacific Coast Hwy., Malibu, Calif. 90265

*Primary Examiner*—Melvin B. Feifer  
*Assistant Examiner*—Richelle Shelton  
*Attorney, Agent, or Firm*—Hawes & Fischer

[\*\*] Term: **14 Years**

[21] Appl. No.: **831,384**

[57] **CLAIM**

[22] Filed: **Feb. 5, 1992**

The ornamental design for a portable audio baby monitor receiver, as shown and described.

[52] U.S. Cl. .... **D10/106; D14/159**

[58] Field of Search ..... 455/73, 89, 90, 128; D14/159, 124, 137; D10/104, 106, 121, 189, 191, 218, 257, 299; D21/111, 113

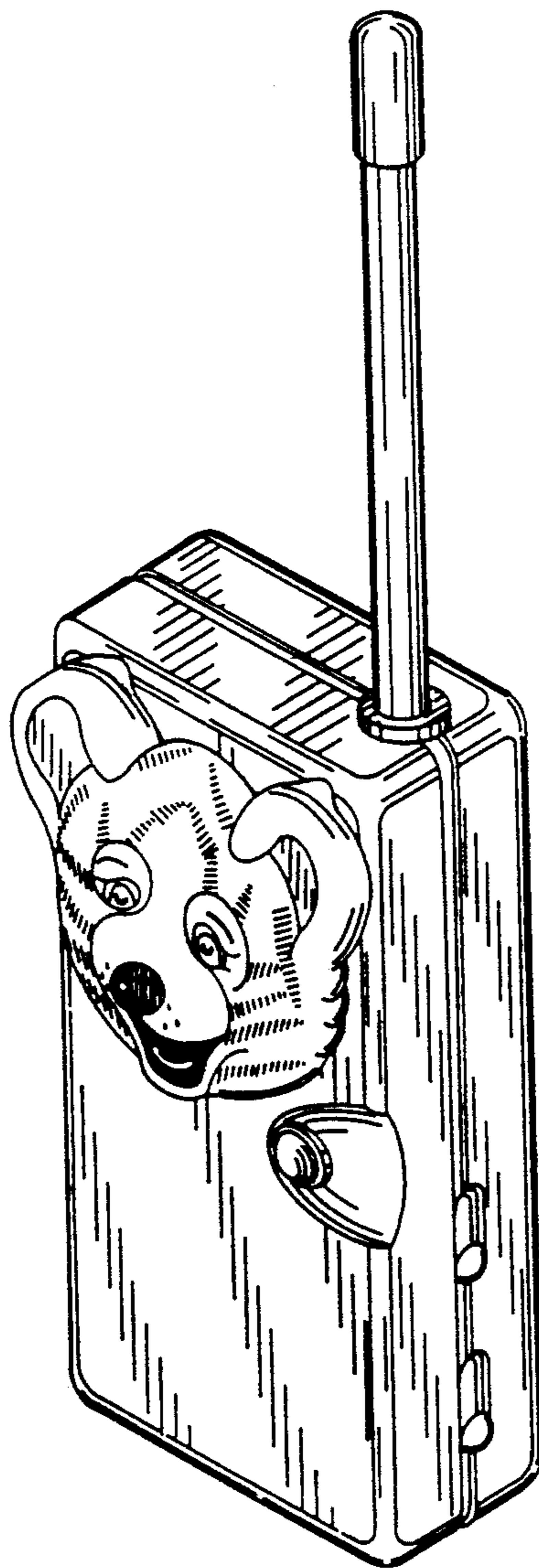
**DESCRIPTION**

[56] **References Cited**

**U.S. PATENT DOCUMENTS**

D. 280,896 10/1985 Campbell et al. .... D14/155  
D. 283,892 5/1986 Cutler ..... D14/137  
D. 291,568 8/1987 Basch ..... D21/111 X

FIG. 1 is a top, front perspective view of a portable audio baby monitor receiver showing my new design; FIG. 2 is a front elevation thereof; FIG. 3 is a top plan view thereof; FIG. 4 is a bottom plan view thereof; FIG. 5 is a rear elevation thereof; FIG. 6 is a side elevation thereof; and, FIG. 7 is an opposite the elevation thereof.



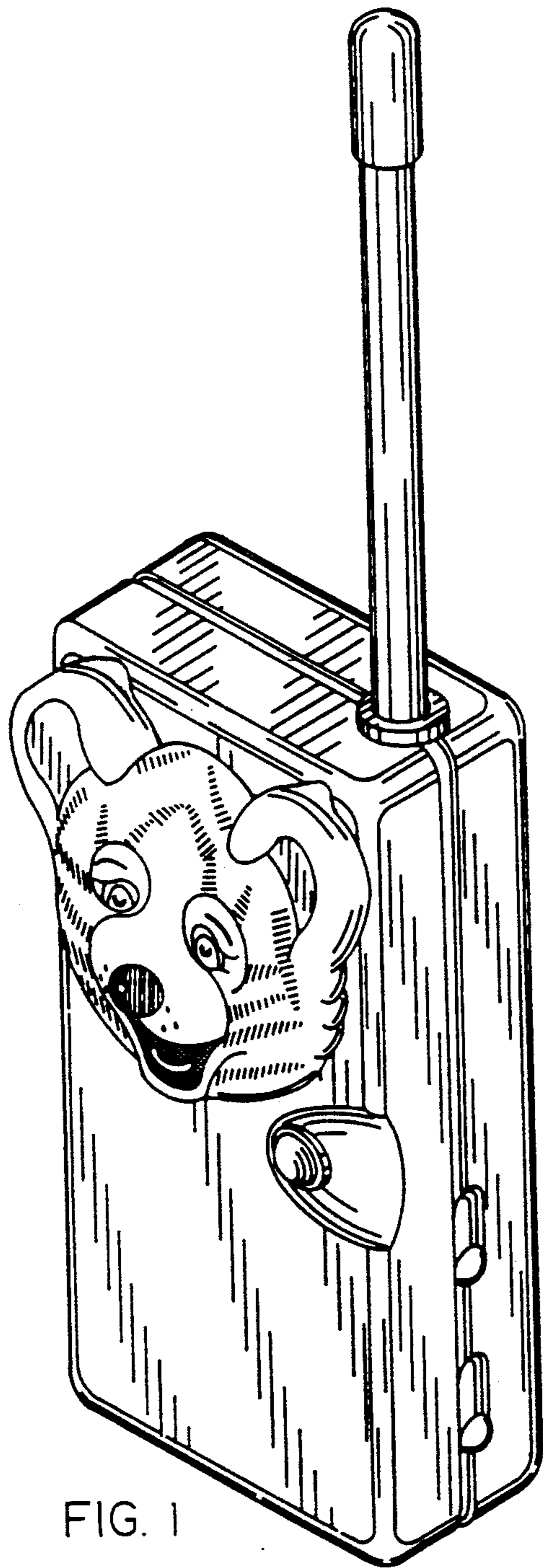


FIG. 1

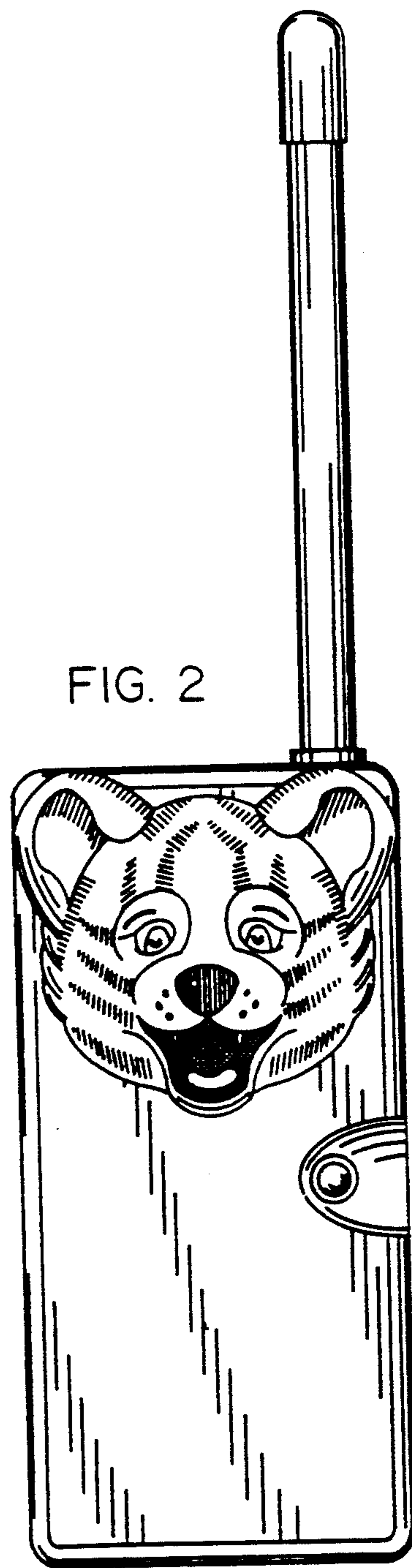


FIG. 2

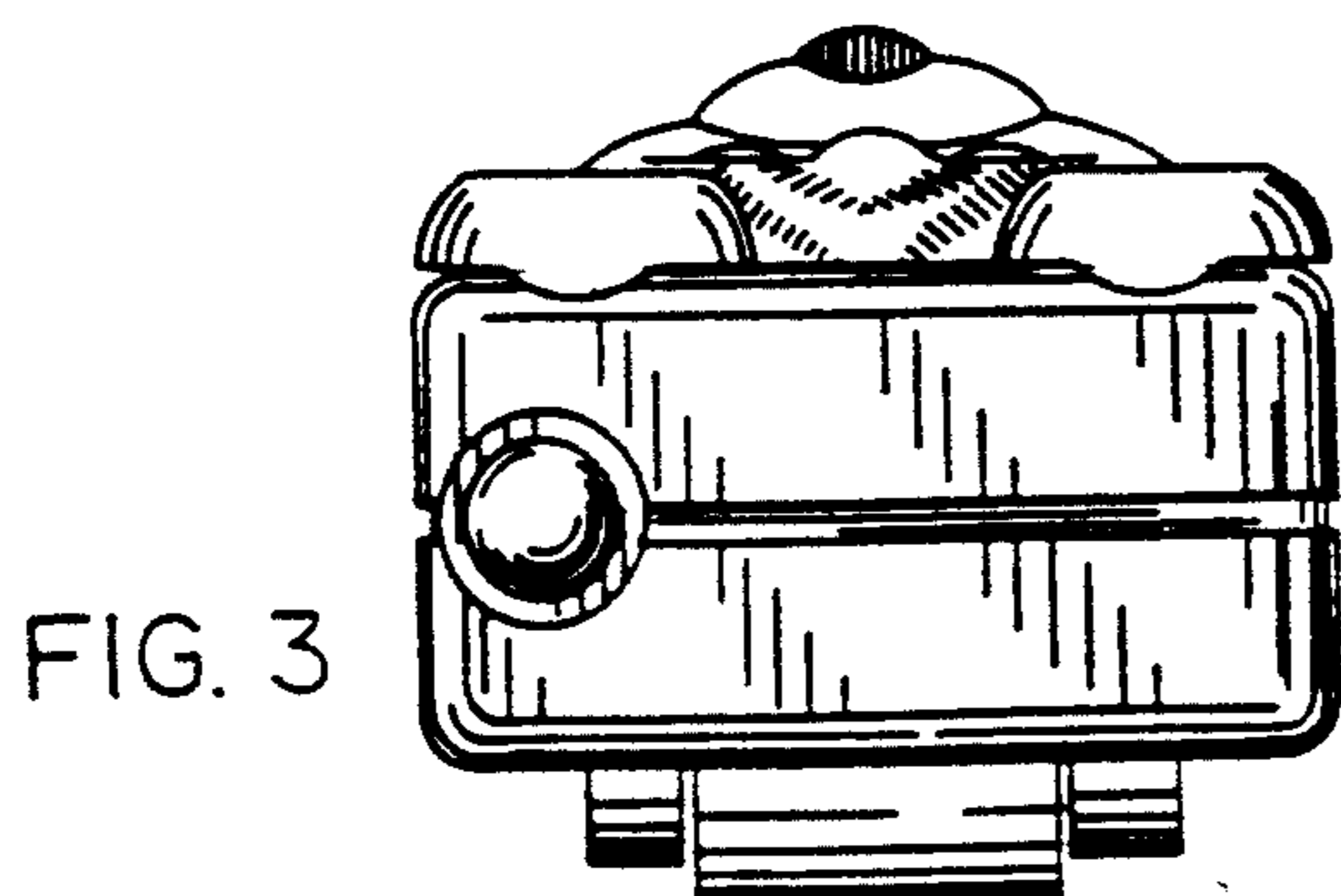


FIG. 3

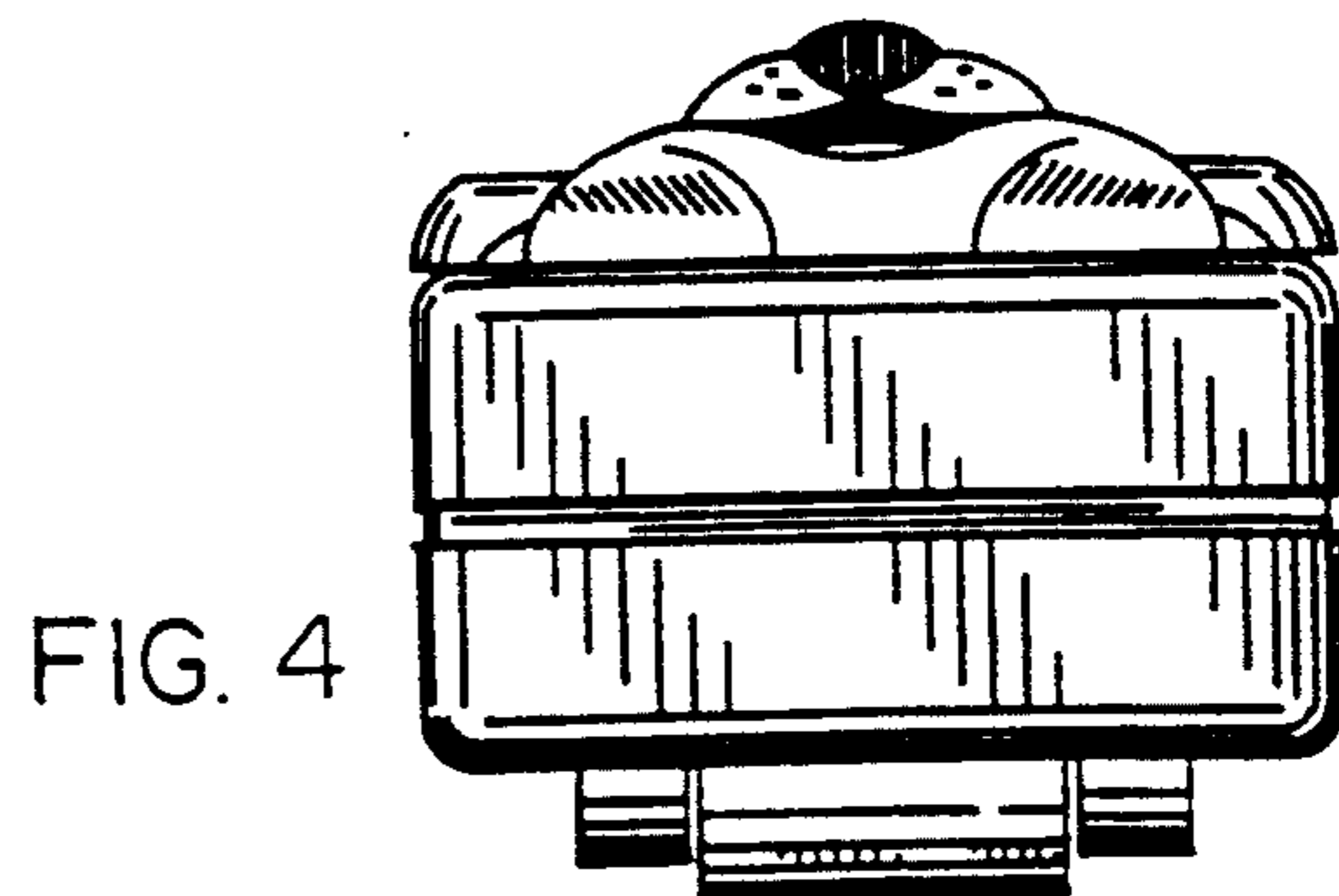


FIG. 4

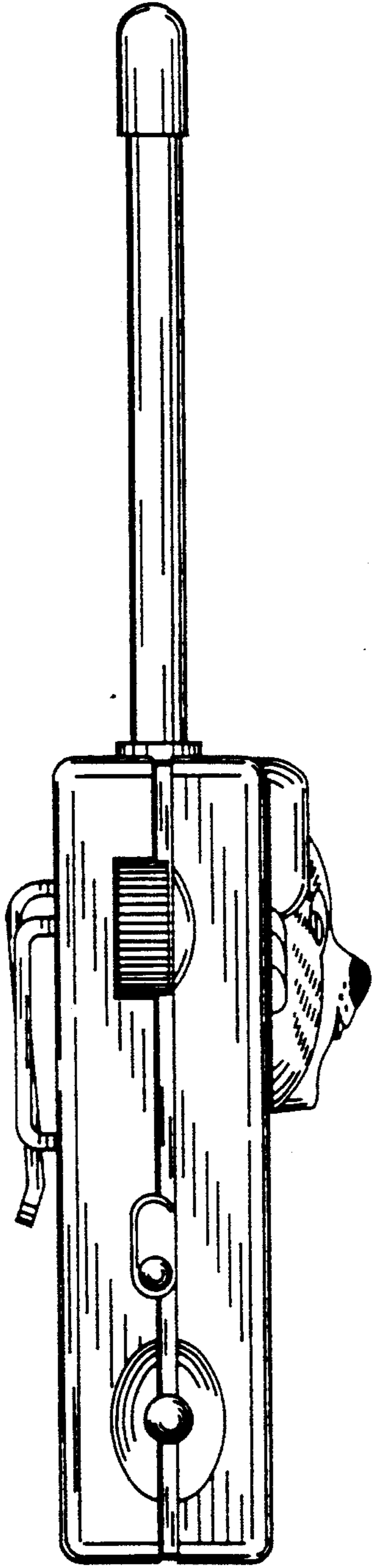


FIG. 6

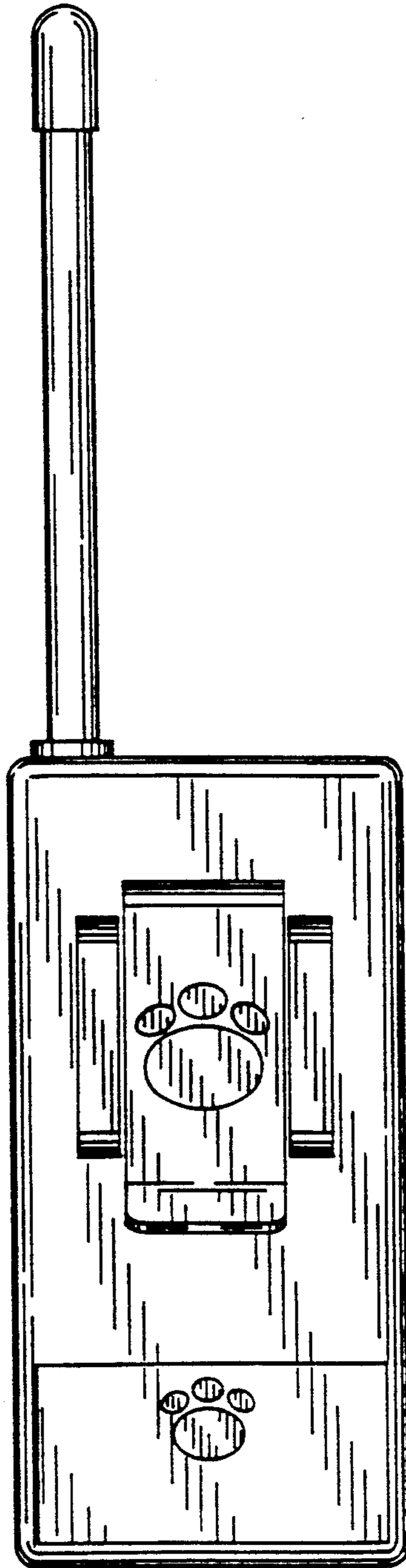


FIG. 5

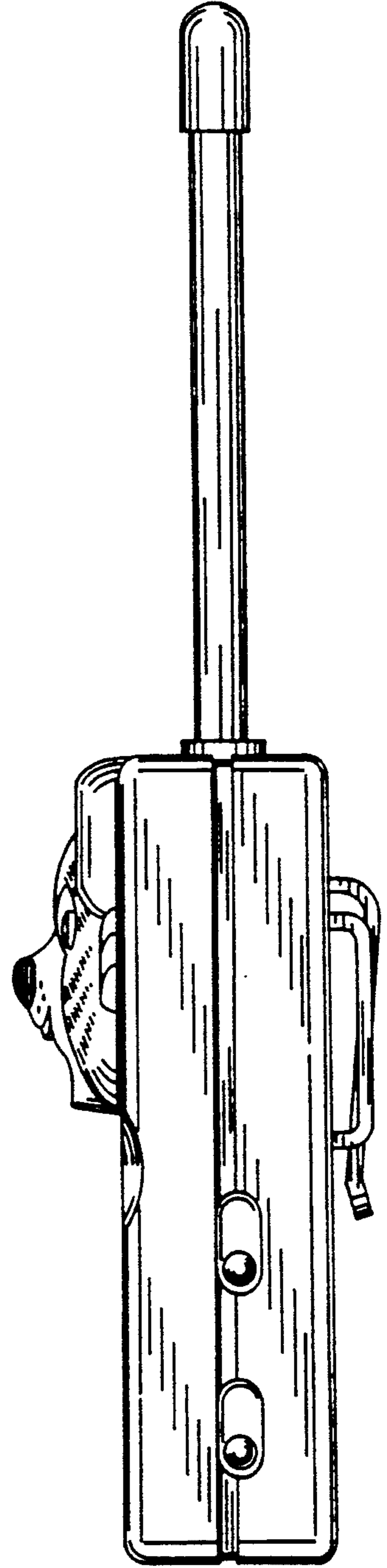


FIG. 7