



US00D346753S

United States Patent [19]

[11] Patent Number: **Des. 346,753**

Barbookles, Jr. et al.

[45] Date of Patent: **** May 10, 1994**

[54] **PH AND CONCENTRATION METER**

[56] **References Cited**

[75] Inventors: **James Barbookles, Jr., Malden; Jeffrey S. Cohen, Wilmington; Laura Brockway, Charlestown; Thomas Paquette, Shrewsbury; Paul Sydlowski, Wakefield, all of Mass.**

U.S. PATENT DOCUMENTS

D. 312,421 11/1990 Trottmann D10/81
D. 336,444 6/1993 Anderson et al. D10/81
5,083,868 1/1992 Anderson D10/81 X

[73] Assignee: **Orion Research, Inc., Cambridge, Mass.**

Primary Examiner—Alan P. Douglas
Assistant Examiner—Antoine D. Davis
Attorney, Agent, or Firm—Cesari and McKenna

[**] Term: **14 Years**

[57] CLAIM

The ornamental design for a pH and concentration meter, as shown and described.

[21] Appl. No.: **552,747**

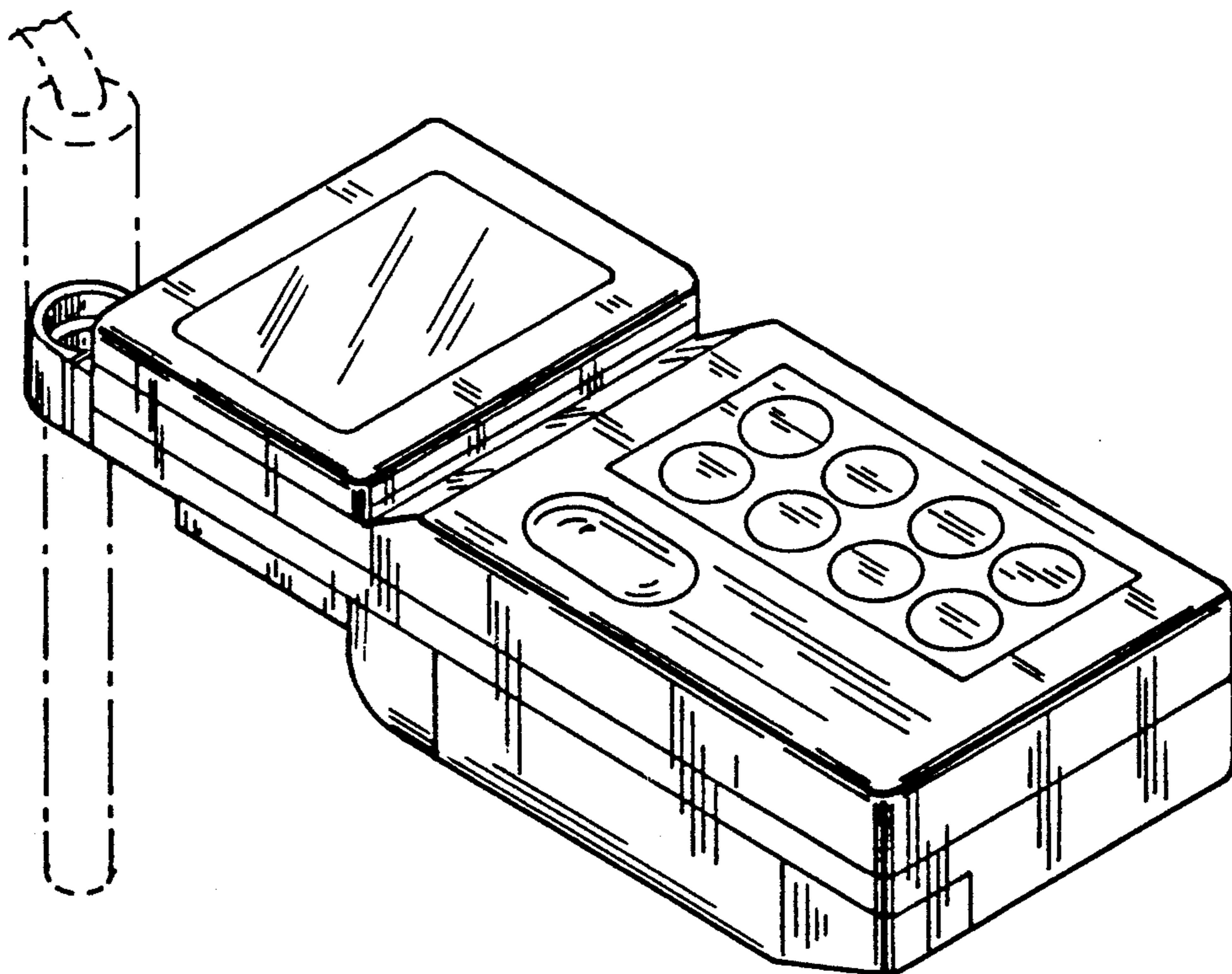
DESCRIPTION

[22] Filed: **May 10, 1990**

FIG. 1 is an isometric view from the front of a pH and concentration meter incorporating our design;
FIG. 2 is a left side view thereof;
FIG. 3 is a bottom view thereof;
FIG. 4 is a right side view thereof;
FIG. 5 is a front view thereof; and,
FIG. 6 is a back view thereof.

[52] U.S. Cl. **D10/81; D10/78**

[58] Field of Search **73/431; 204/198, 400, 204/401, 430, 433, 435, 406; D10/78, 81; D24/216, 231, 232**



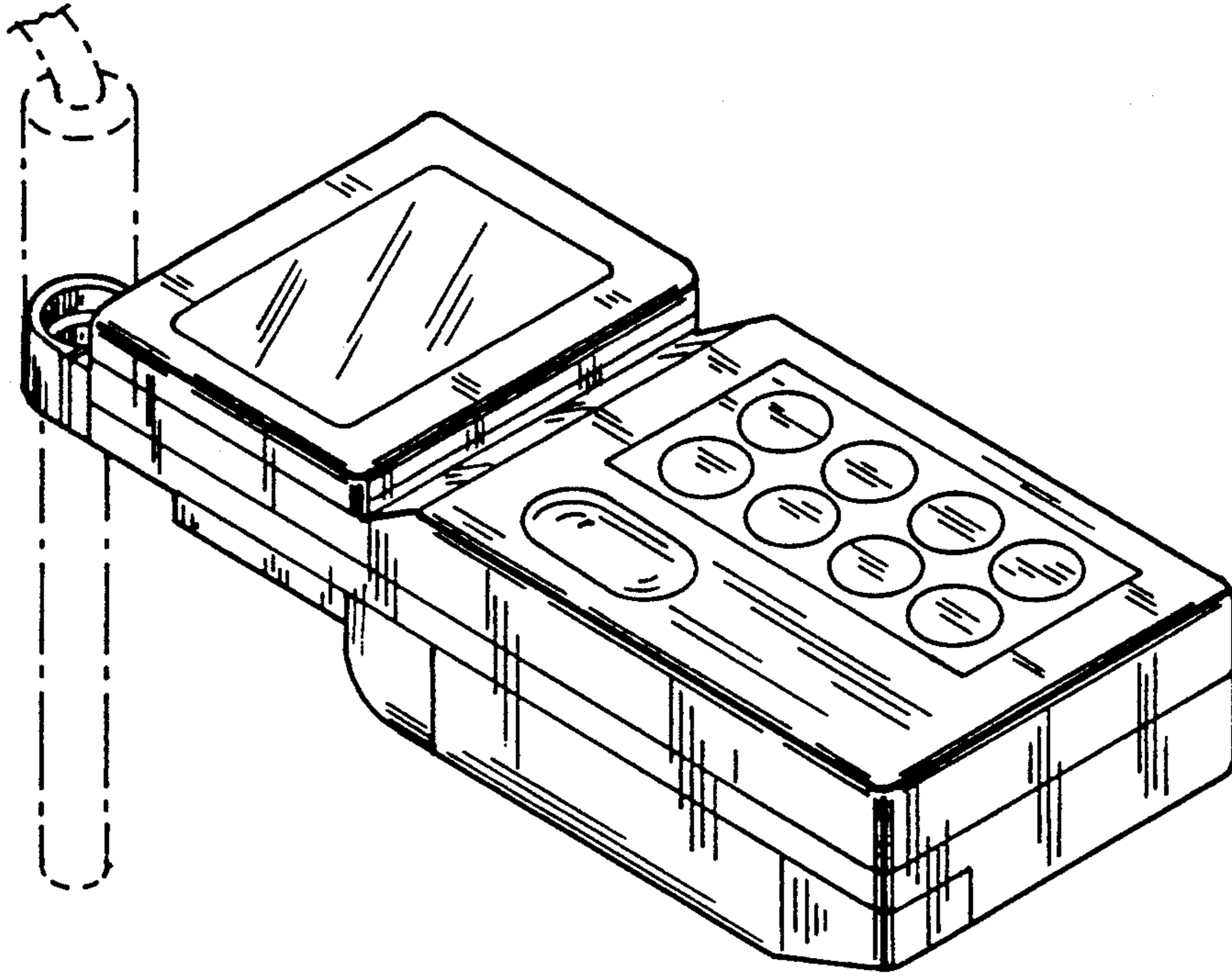


FIG. 1

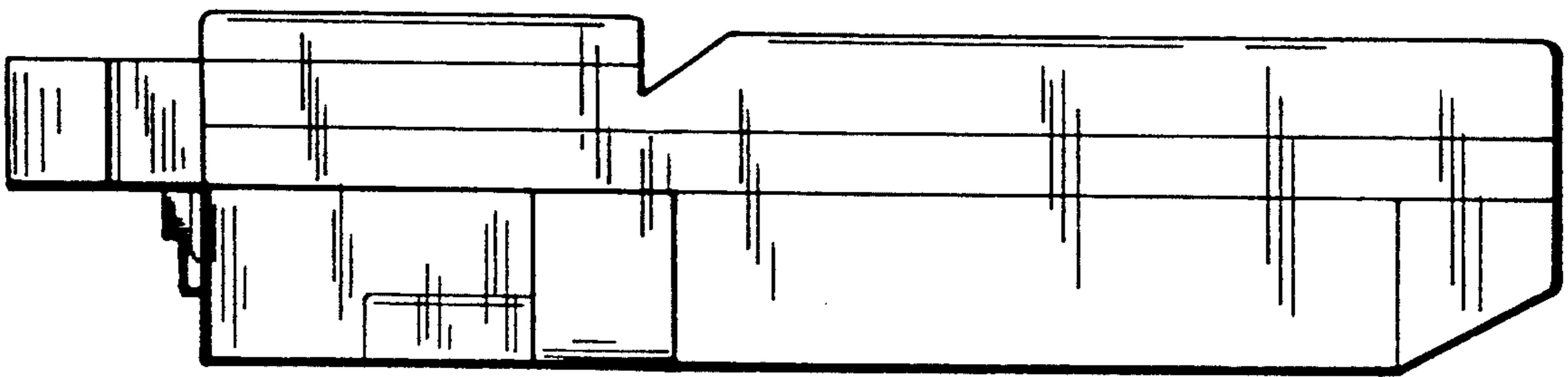


FIG. 2

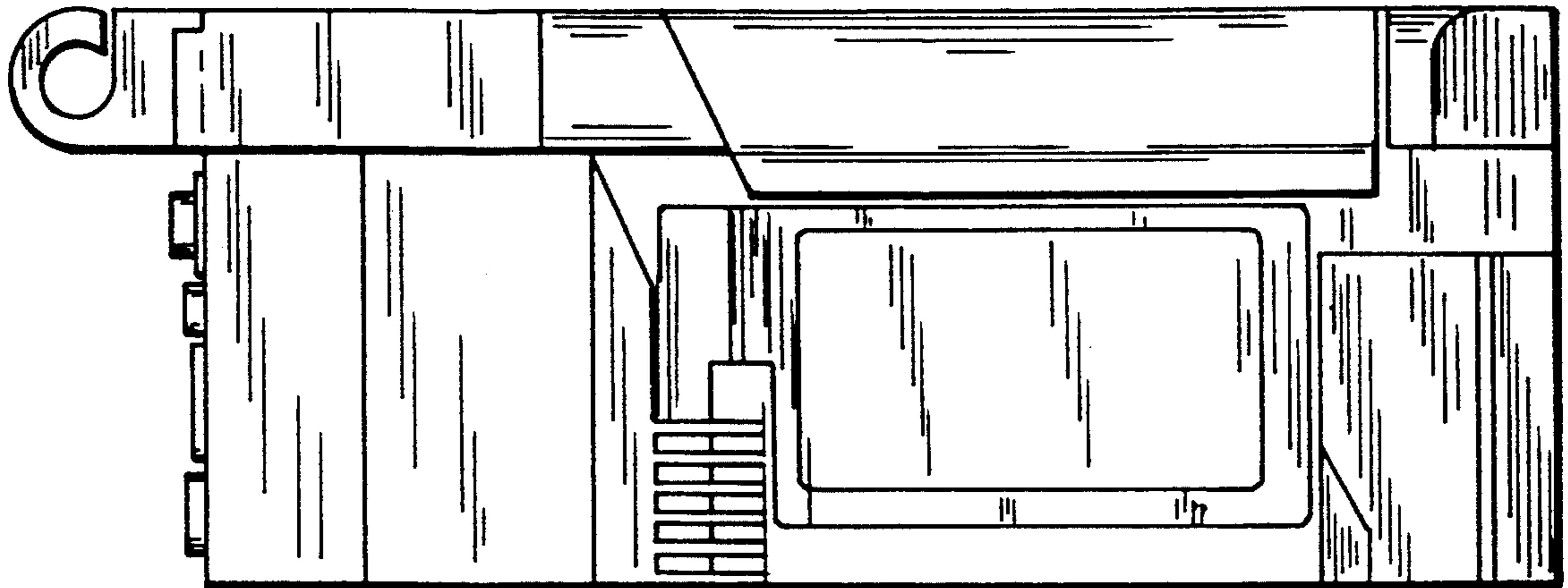


FIG. 3

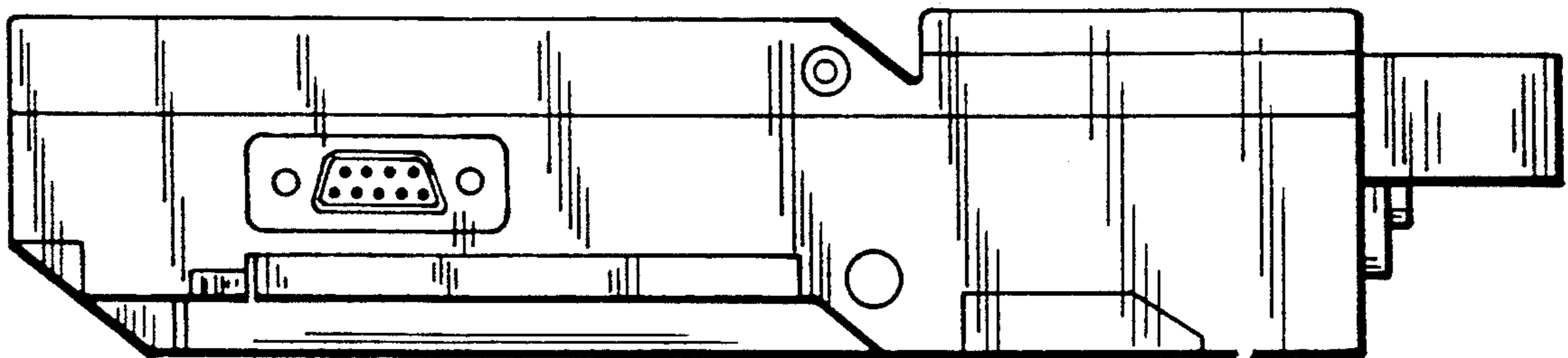


FIG. 4

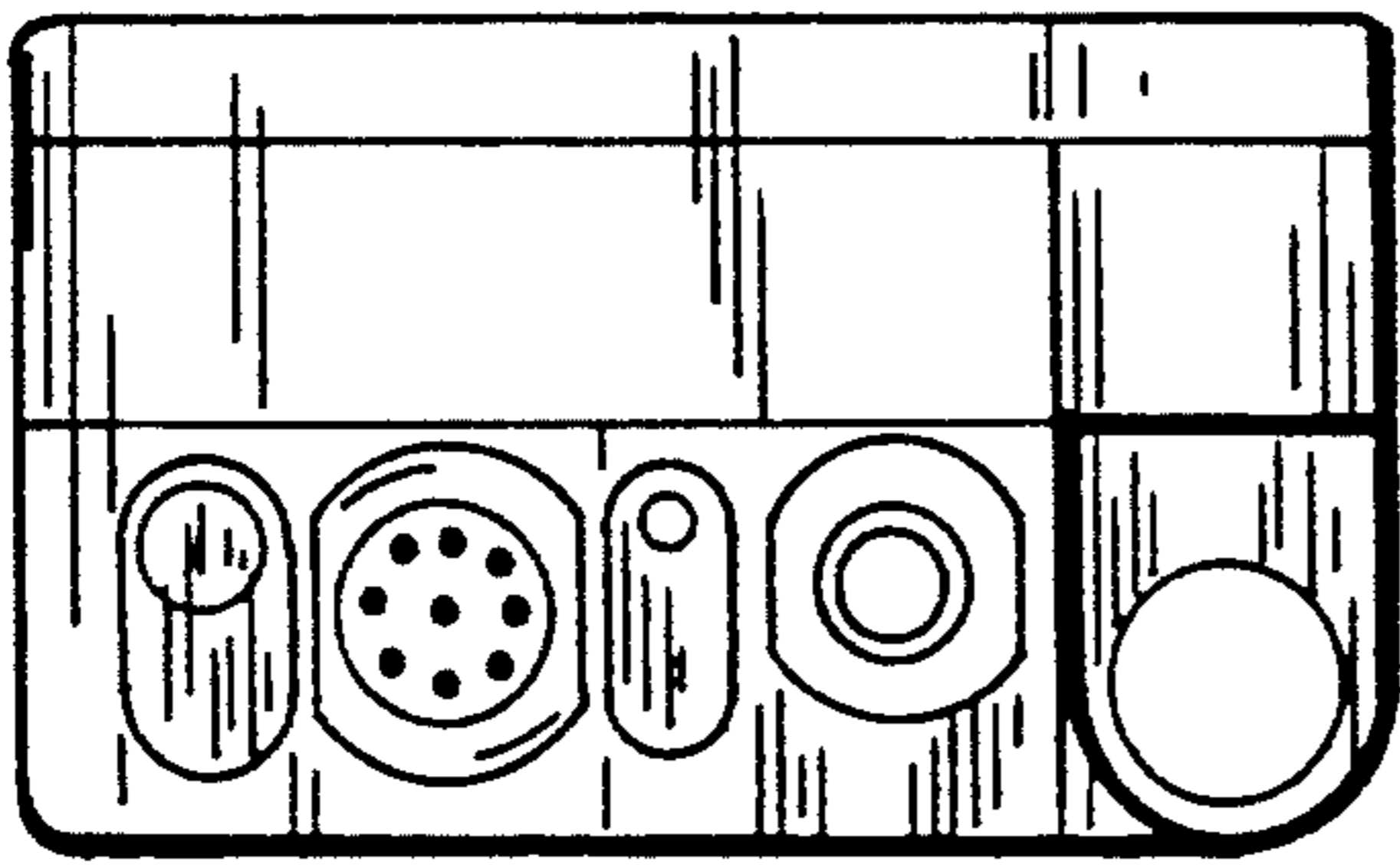


FIG. 5

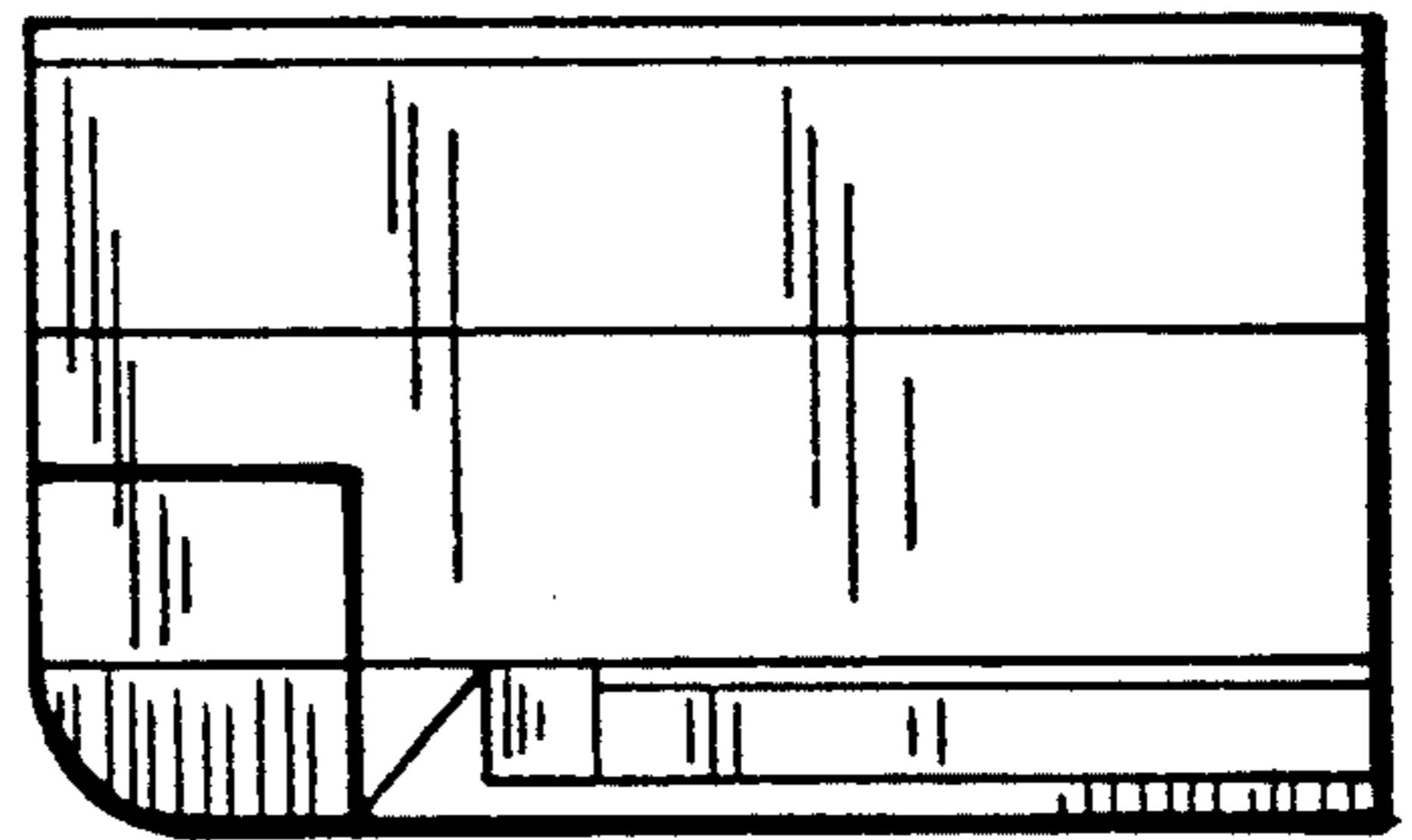


FIG. 6