



US00D346735S

# United States Patent [19]

[11] Patent Number: **Des. 346,735**

Glisch et al.

[45] Date of Patent: **\*\* May 10, 1994**

[54] **EAVESTROUGH HOOK**

[75] Inventors: **Miro Glisch**, Scarborough; **Jerry Moscovitch**, Toronto, both of Canada

[73] Assignee: **GSW Inc.**, Toronto, Canada

[\*\*] Term: **14 Years**

[21] Appl. No.: **2,014**

[22] Filed: **Nov. 30, 1992**

[30] **Foreign Application Priority Data**

Aug. 28, 1992 [CA] Canada ..... 28089213

[52] U.S. Cl. .... **D8/367; D8/381**

[58] Field of Search ..... **D8/367, 380-381, D8/373, 363; 248/48.2, 235, 247, 251, 48.1; 211/90; 52/11**

[56] **References Cited**

**U.S. PATENT DOCUMENTS**

D. 191,609 10/1961 Gordon ..... D8/367

|            |         |                   |       |          |
|------------|---------|-------------------|-------|----------|
| D. 261,709 | 11/1981 | Hartman           | ..... | D8/363 X |
| D. 290,224 | 6/1987  | Skinner           | ..... | D8/381   |
| D. 294,799 | 3/1988  | Vilkofsky, Jr.    | ..... | D8/380 X |
| D. 327,839 | 7/1992  | Stumpf et al.     | ..... | D8/381   |
| D. 335,815 | 5/1993  | Sachs             | ..... | D8/363   |
| D. 336,605 | 6/1993  | Lemmerman et al.  | ..... | D8/381   |
| 4,776,544  | 10/1988 | Williams          | ..... | 248/48.1 |
| 4,901,954  | 2/1990  | Fairgrieve et al. | ..... | 248/48.2 |

*Primary Examiner*—Wallace R. Burke

*Assistant Examiner*—H. Baynham

[57] **CLAIM**

An ornamental design for an eavestrough hook, as shown.

**DESCRIPTION**

FIG. 1 is a perspective view of an eavestrough hook showing our new design; FIG. 2 is a side view thereof; FIG. 3 is a front view thereof; FIG. 4 is a rear view thereof; FIG. 5 is a top view thereof; and, FIG. 6 is a bottom view thereof.

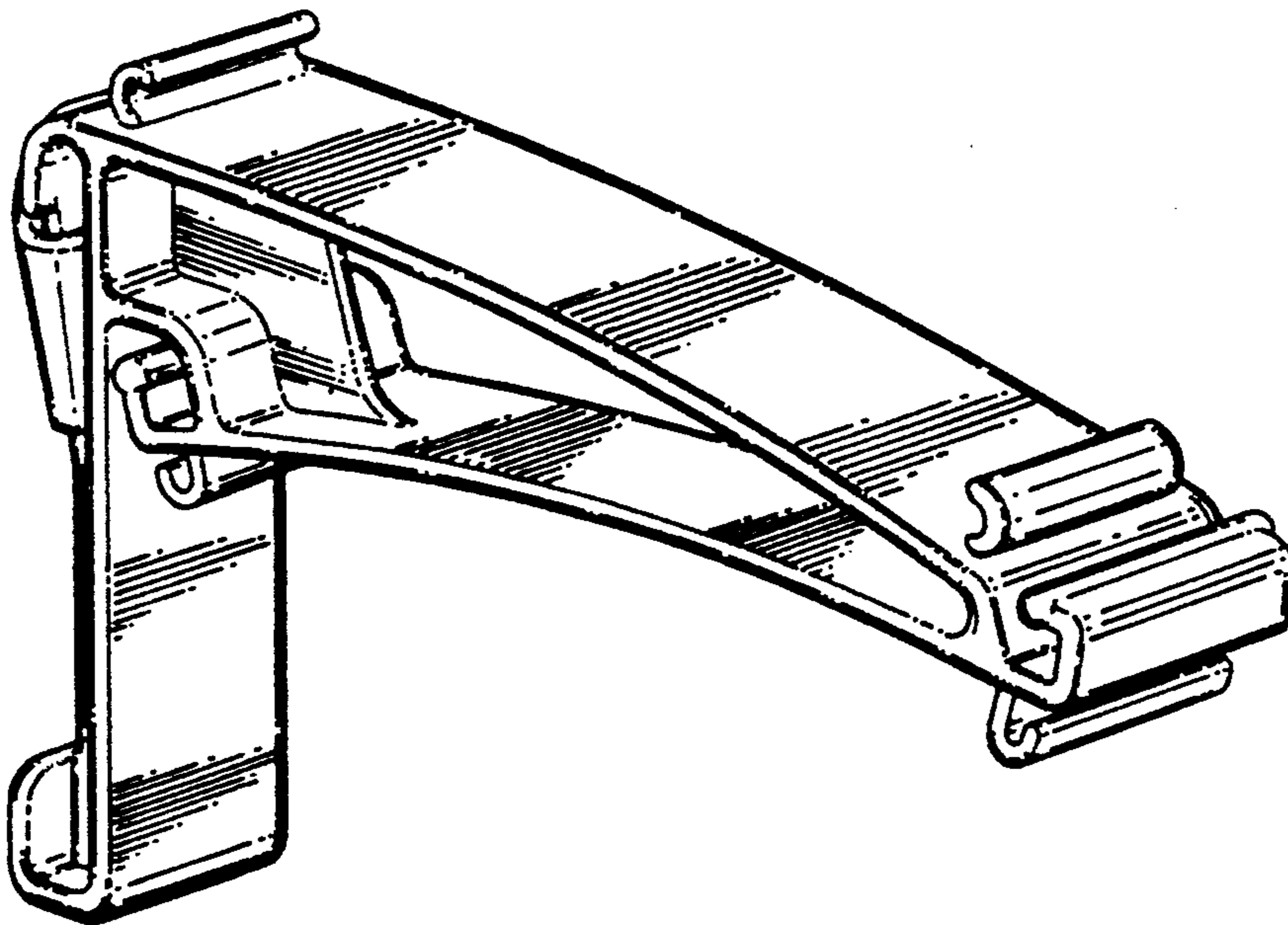


FIG. 1.

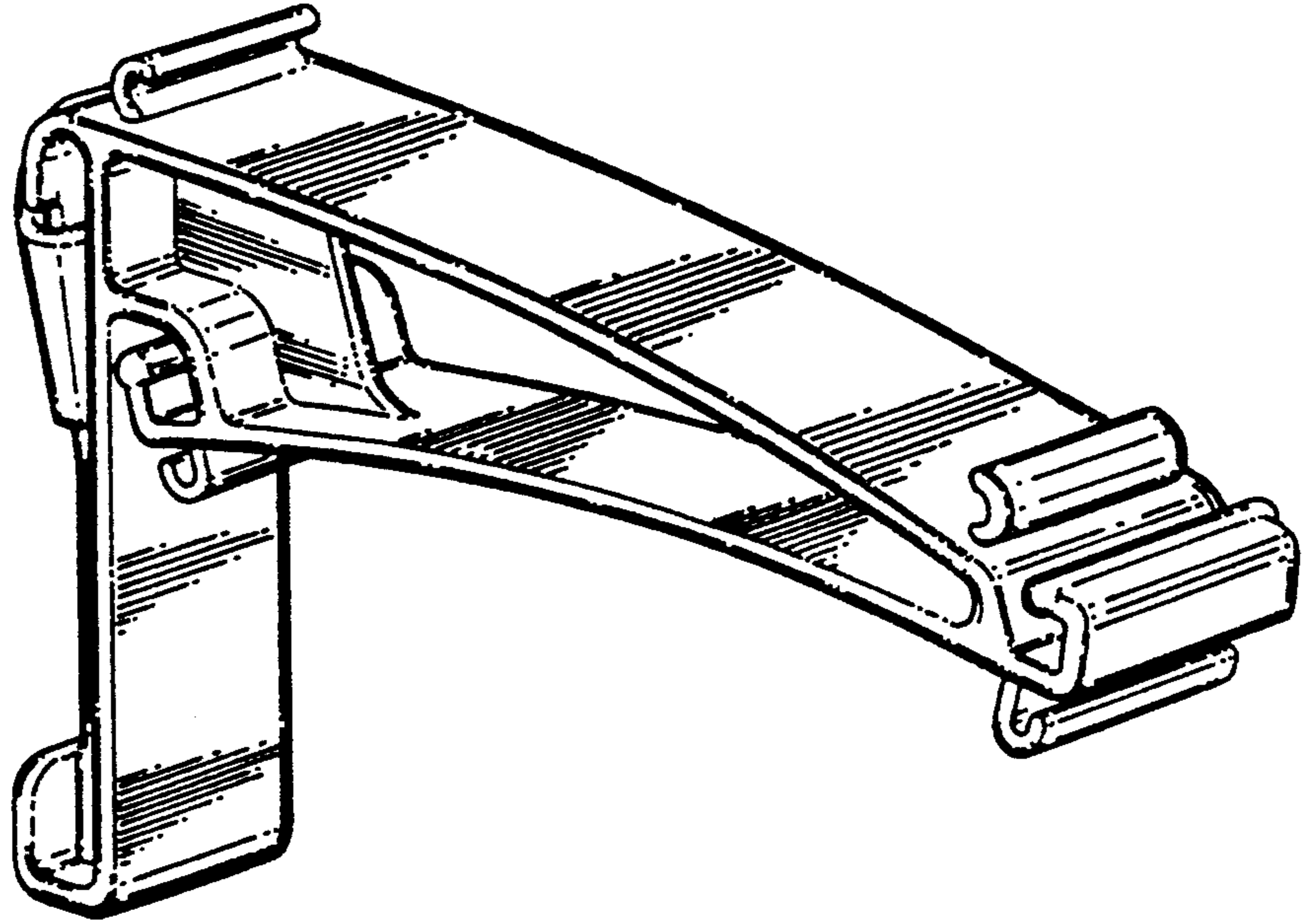


FIG. 2.

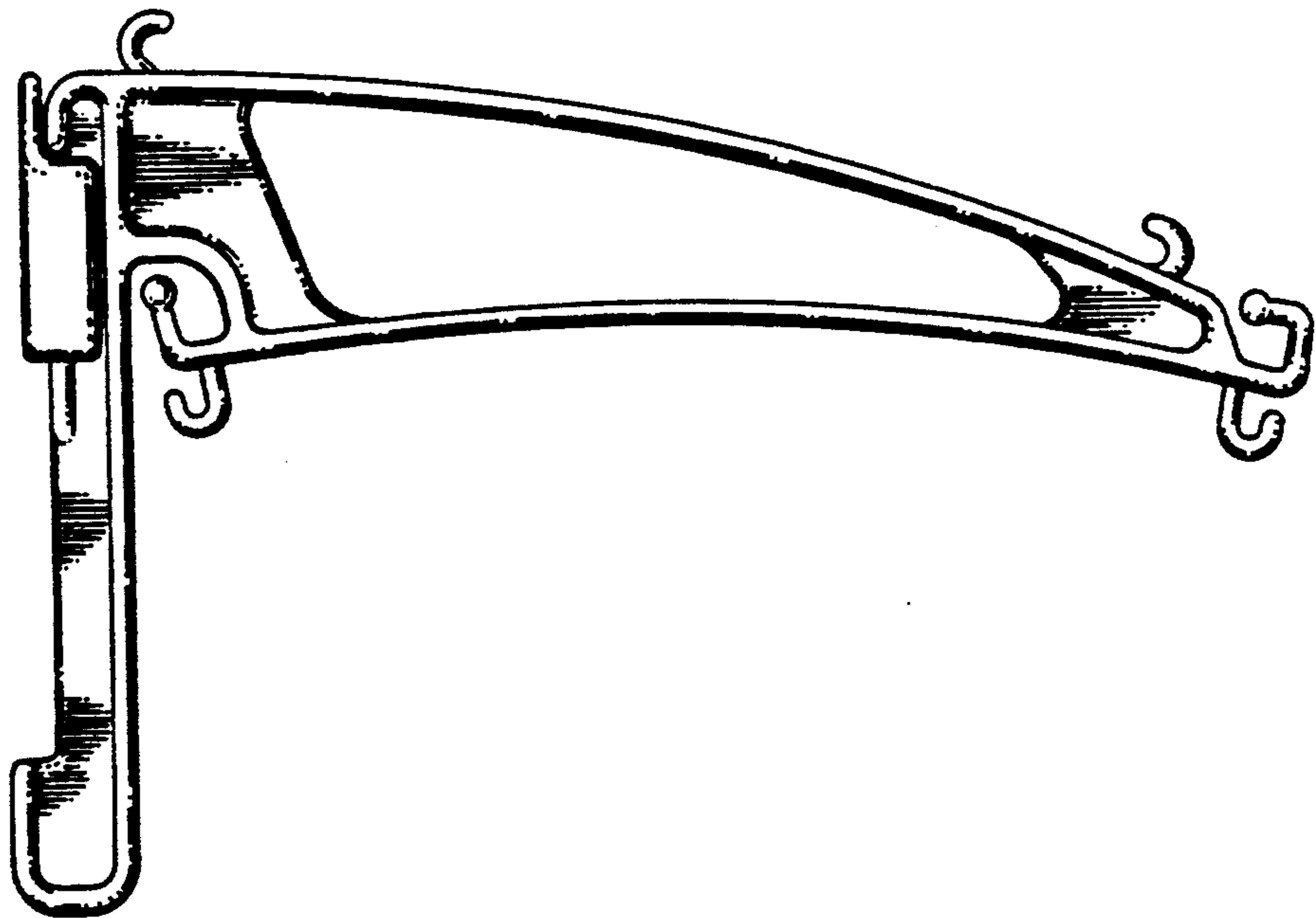


FIG. 3.

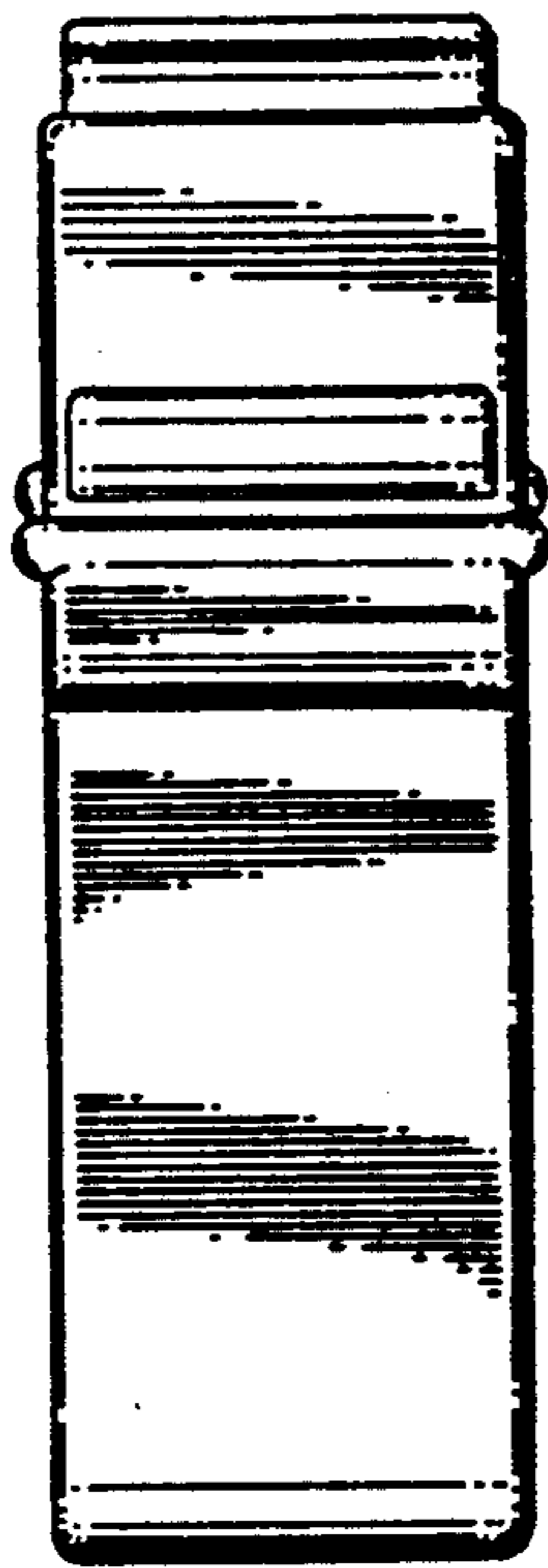


FIG. 4.

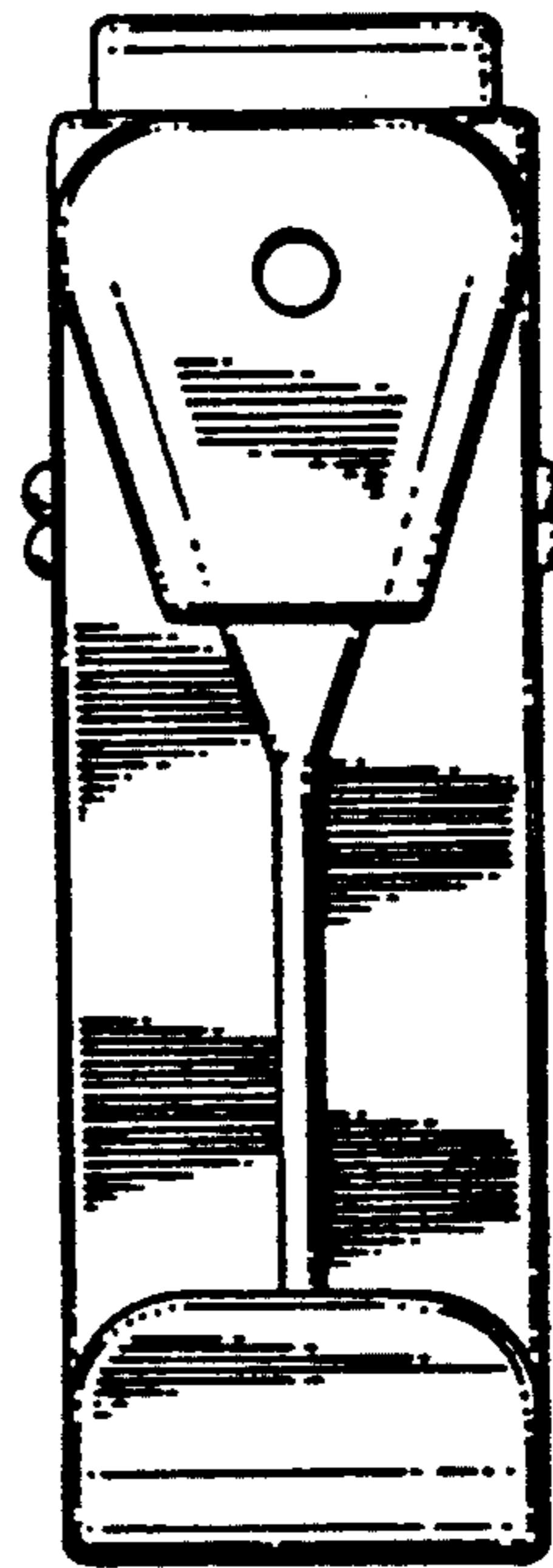


FIG. 5

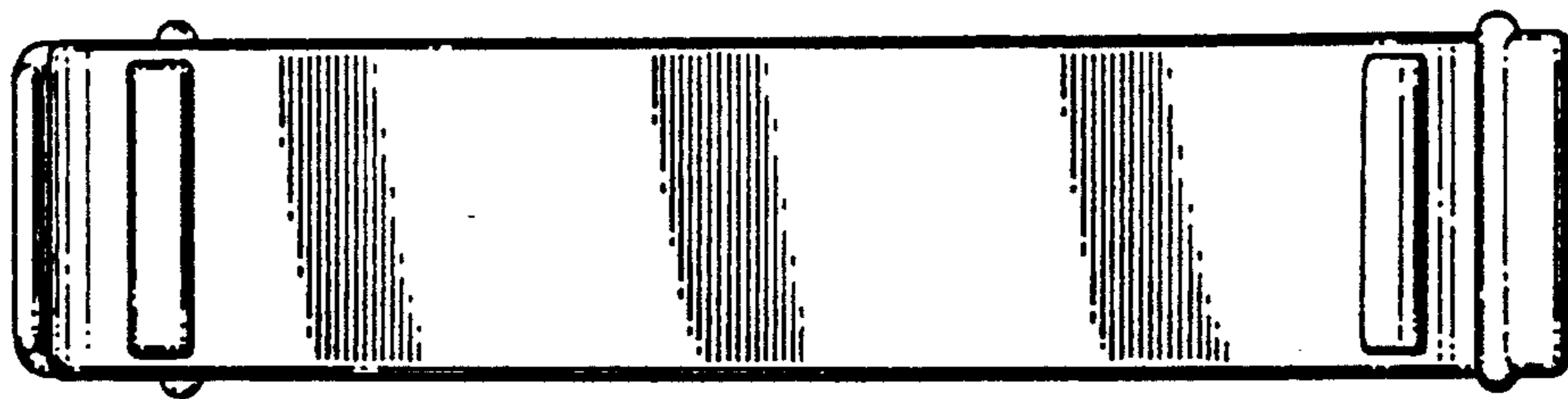


FIG. 6.

