



US00D346729S

# United States Patent [19]

[11] Patent Number: **Des. 346,729**

Schaefer et al.

[45] Date of Patent: **\*\* May 10, 1994**

[54] **FOAM GUN**

[56] **References Cited**

[75] Inventors: **Thomas J. Schaefer**, Buffalo; **Scott A. Olson**, St. Paul; **Tera D. McCutcheon**, Coon Rapids; **Timothy L. Mullen**, Champlin, all of Minn.

### U.S. PATENT DOCUMENTS

4,911,361 3/1990 Tada ..... 239/1  
4,913,317 4/1990 Wernicke ..... 239/112  
5,055,272 10/1991 Wheeler et al. .... 239/112

[73] Assignee: **Graco Inc.**, Minneapolis, Minn.

*Primary Examiner*—Alan P. Douglas  
*Assistant Examiner*—Jeffry H. Musgrove  
*Attorney, Agent, or Firm*—Douglas B. Farrow

[\*\*] Term: **14 Years**

[57] **CLAIM**

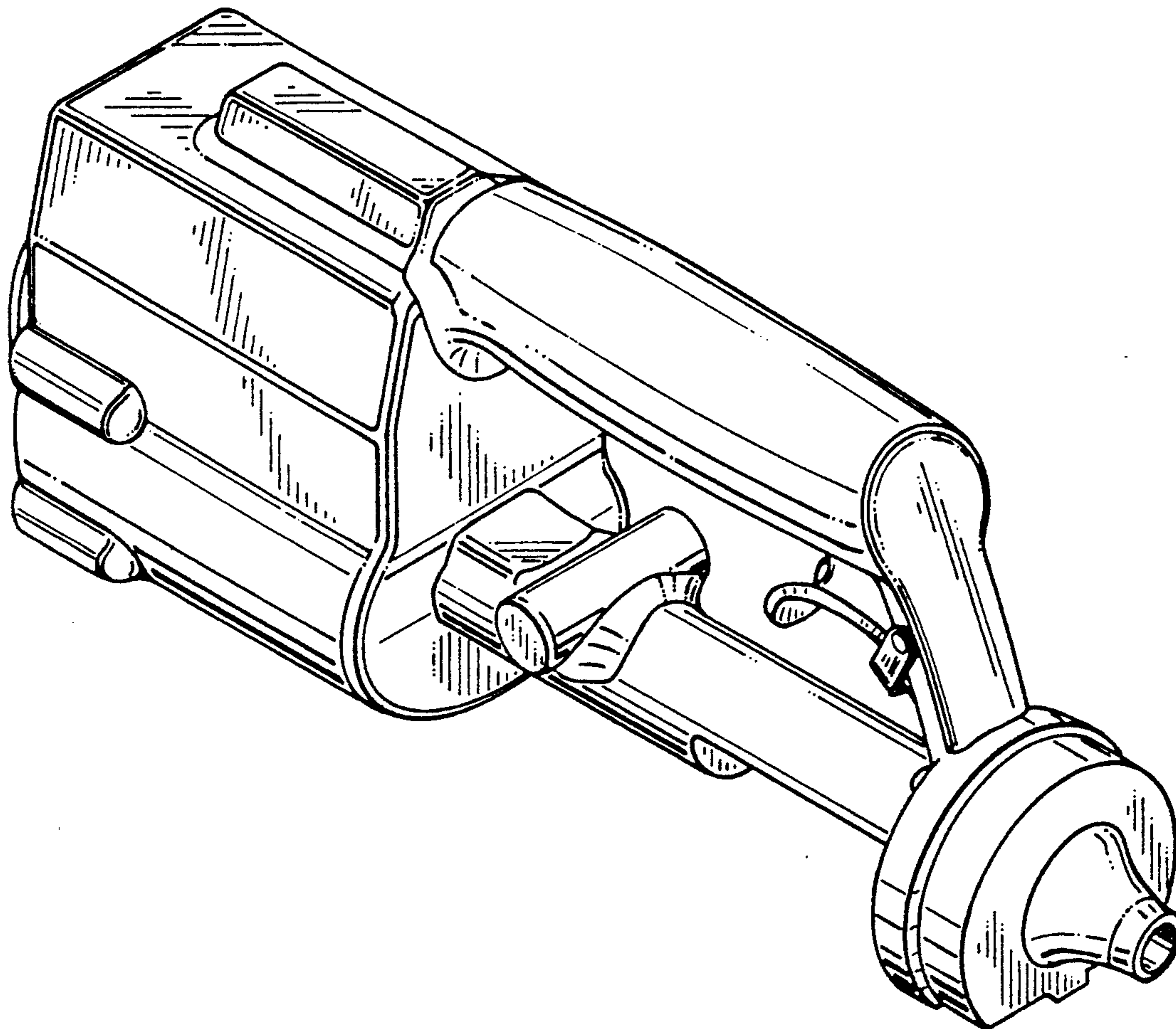
The ornamental design for the foam gun, as shown and described.

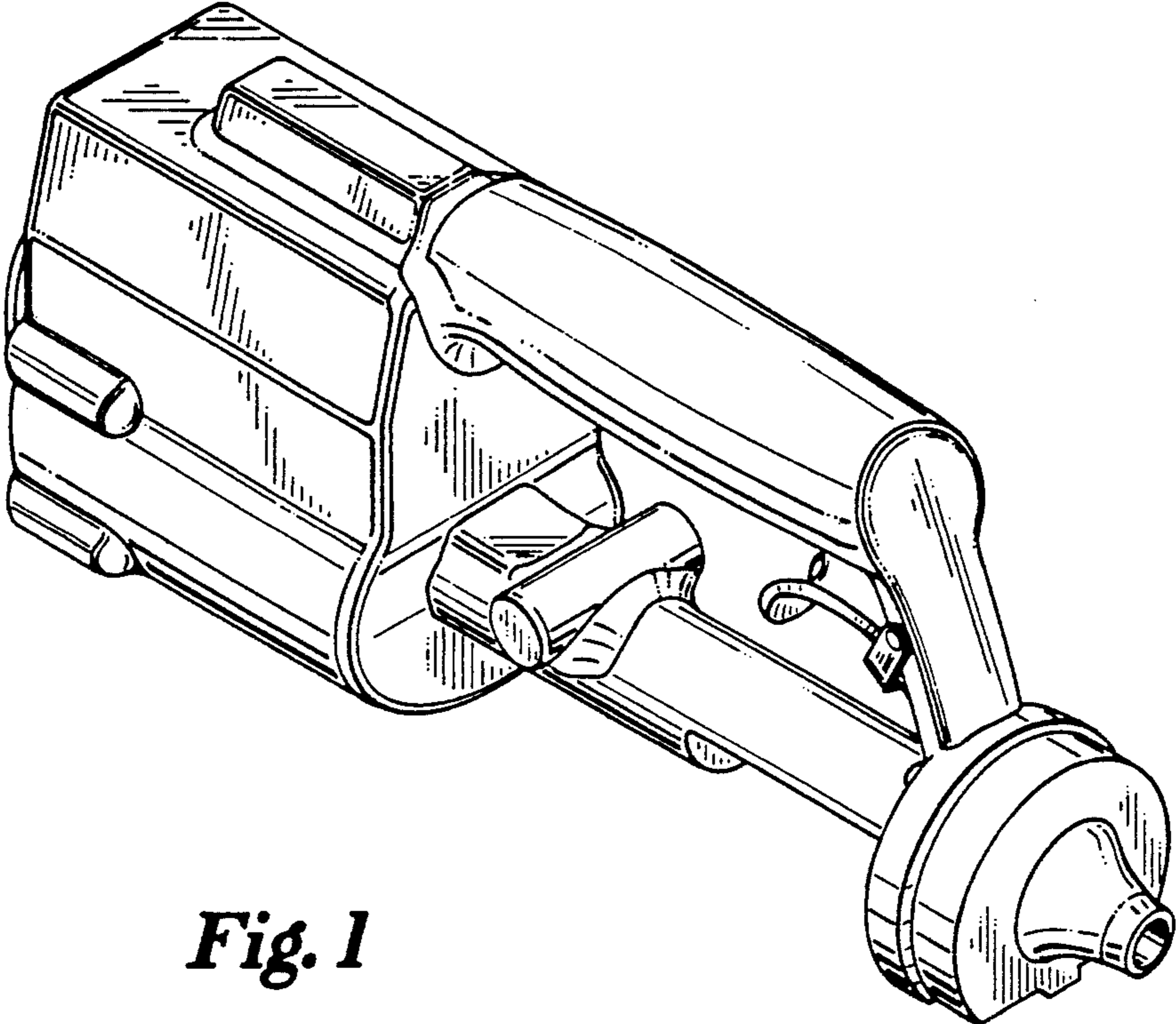
[21] Appl. No.: **5,149**

### DESCRIPTION

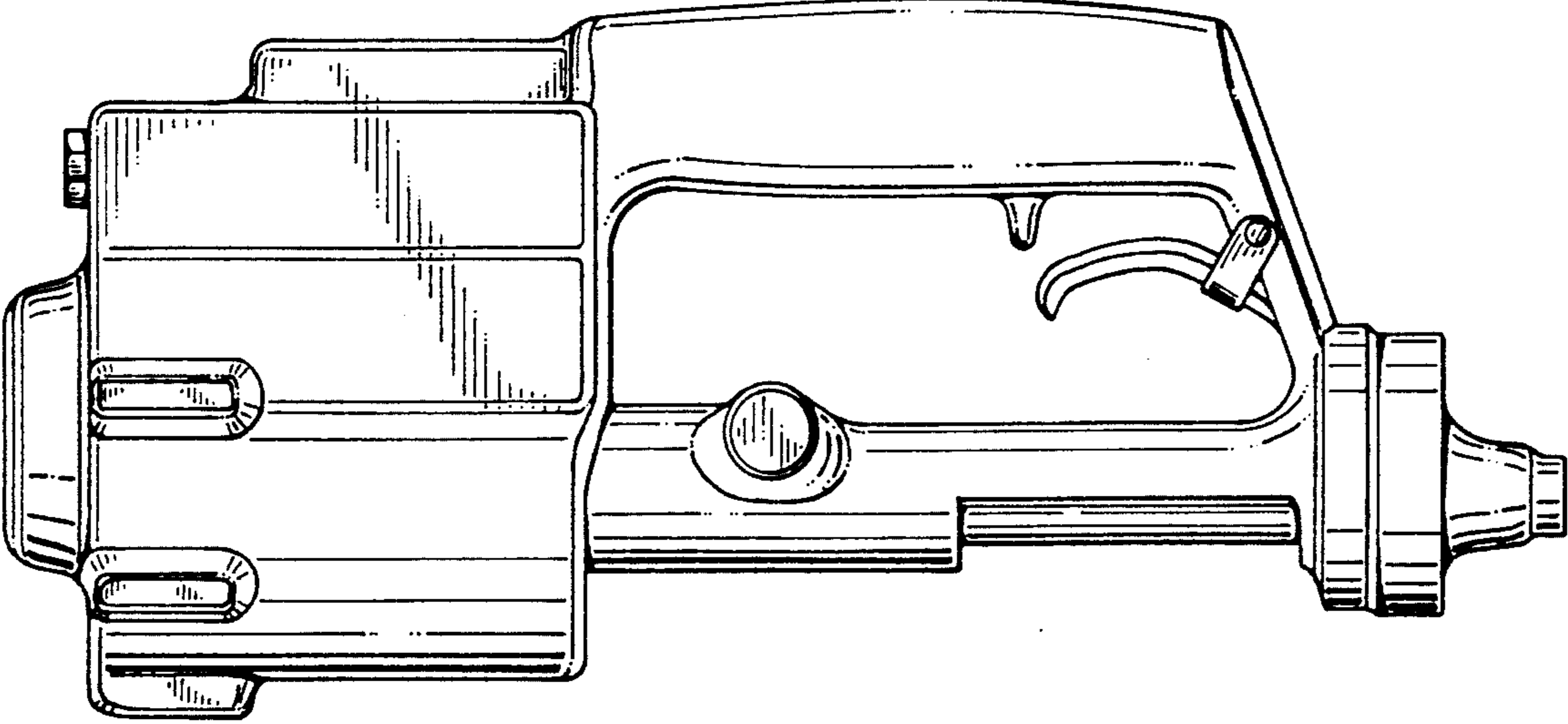
[22] Filed: **Feb. 24, 1993**  
[52] U.S. Cl. .... **D8/69; D8/30**  
[58] Field of Search ..... **D8/29.1, 30, 61, 69;**  
**236/217; 222/1; 239/304, 310, 112, 414, 415,**  
**455, 1; 366/162**

FIG. 1 is a top perspective view of the foam gun;  
FIG. 2 is a right side plan view thereof;  
FIG. 3 is a front elevation view thereof;  
FIG. 4 is a left side plan view thereof;  
FIG. 5 is a rear elevation view thereof;  
FIG. 6 is a top plan view thereof; and,  
FIG. 7 is a bottom plan view thereof.

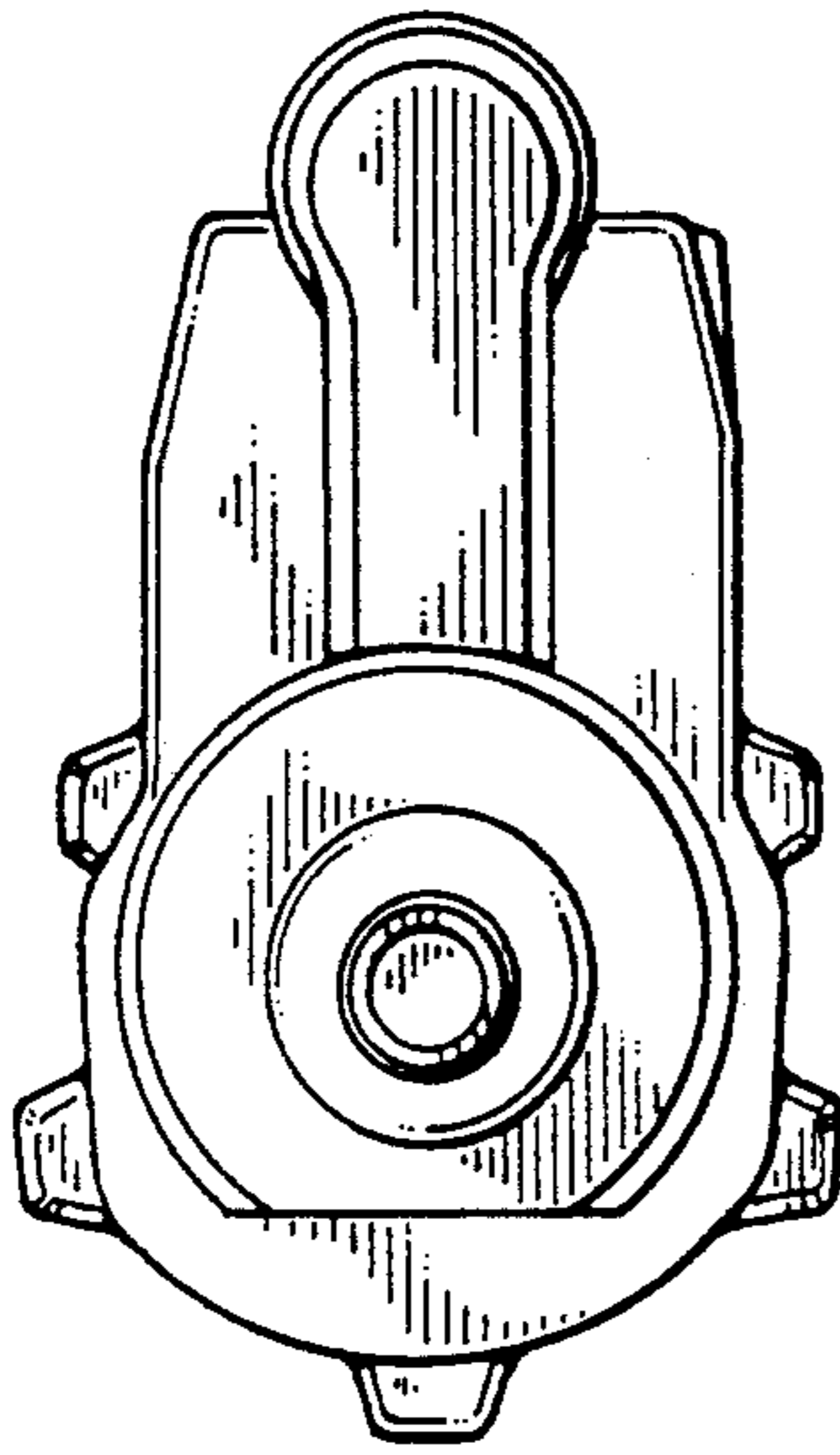




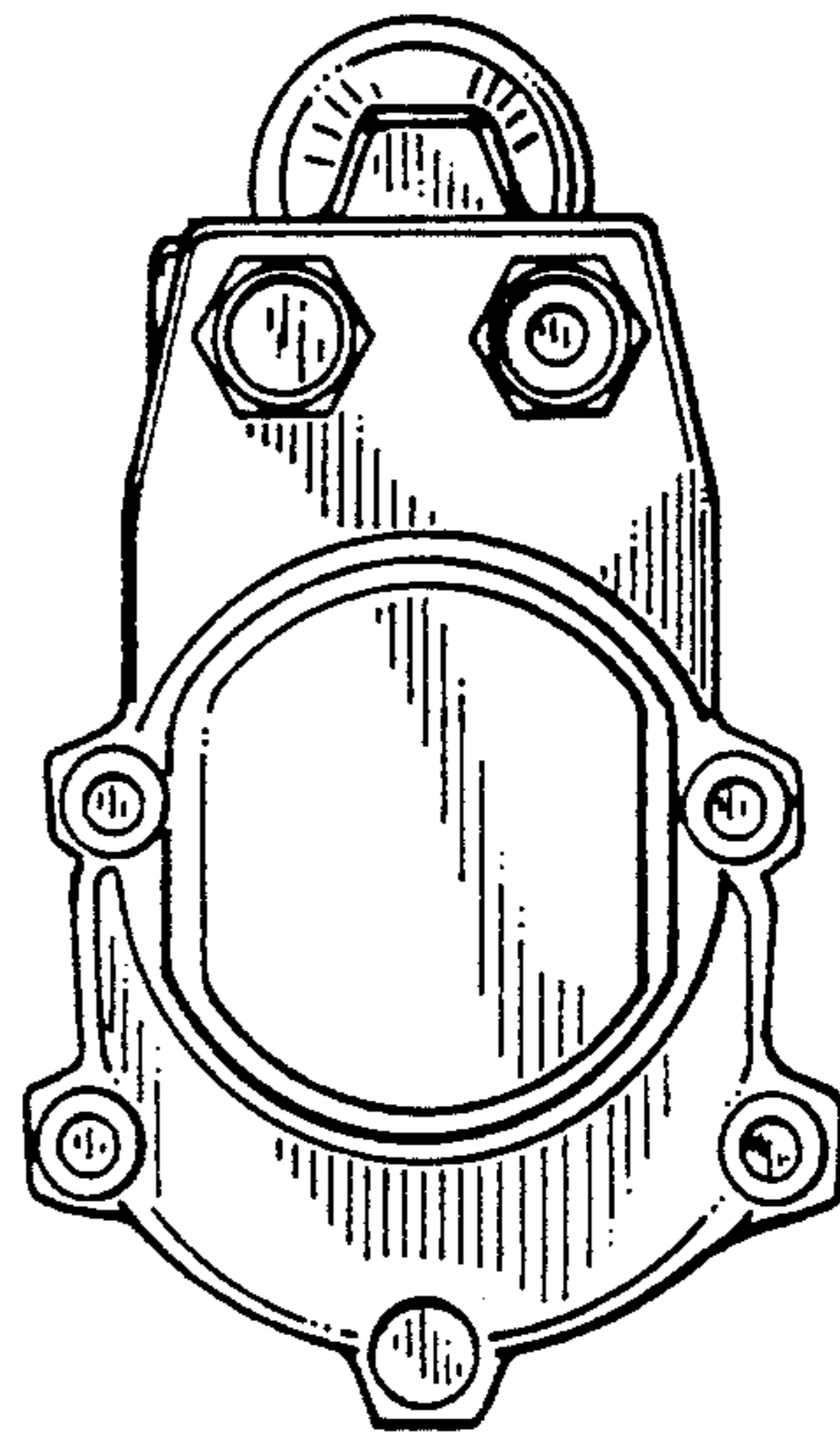
*Fig. 1*



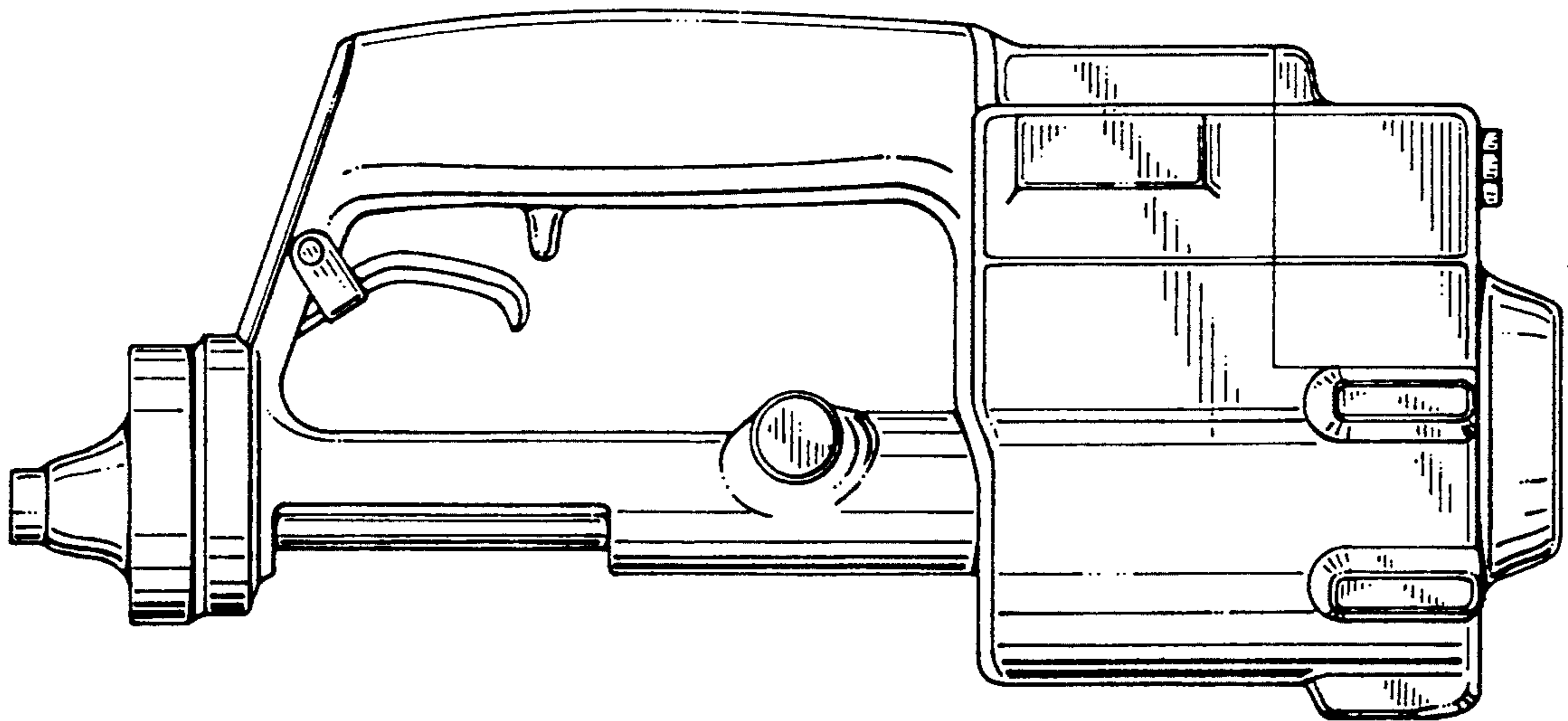
*Fig. 2*



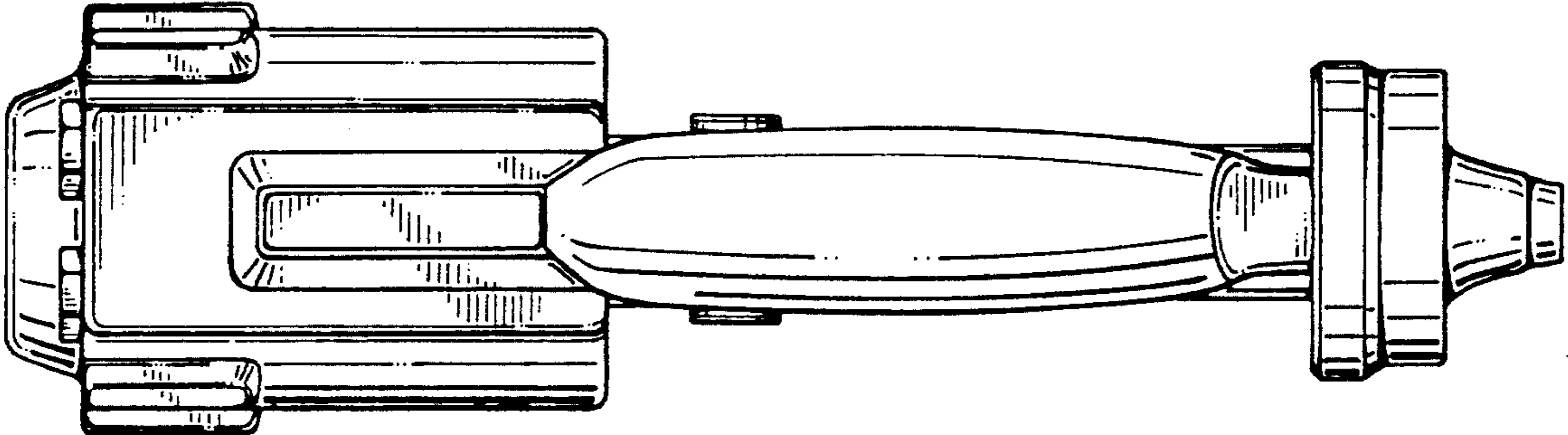
*Fig. 3*



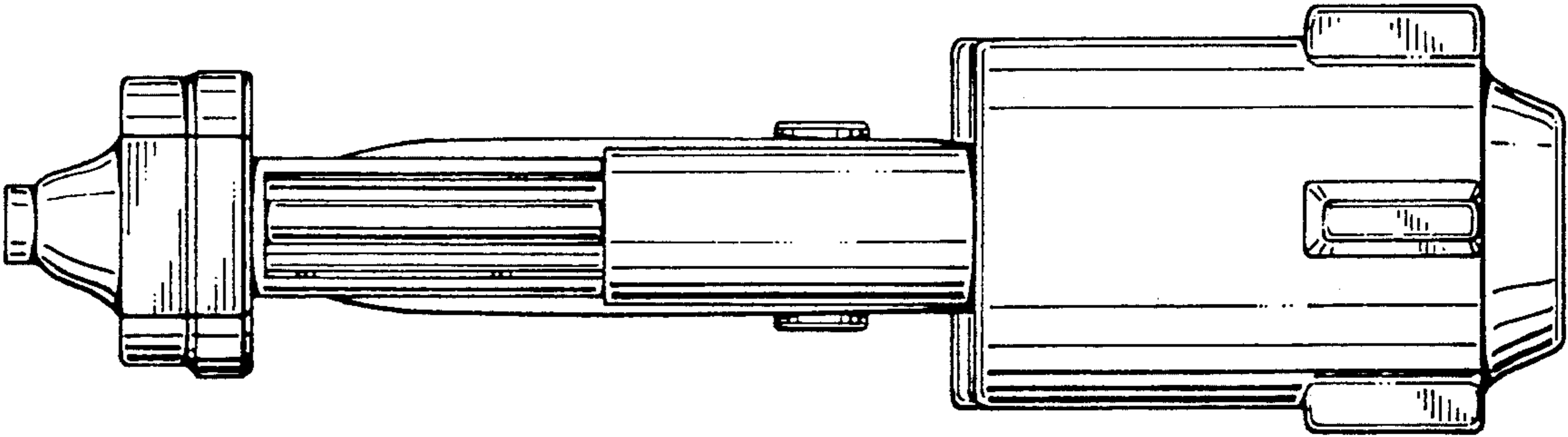
*Fig. 5*



*Fig. 4*



*Fig. 6*



*Fig. 7*