



US00D346727S

United States Patent [19]

Eriksson

[11] Patent Number: **Des. 346,727**

[45] Date of Patent: **** May 10, 1994**

[54] **GRASS TRIMMER HEAD**
 [75] Inventor: **Jan Eriksson, Östersund, Sweden**
 [73] Assignee: **Aktiebolaget Electrolux, Sweden**
 [**] Term: **14 Years**
 [21] Appl. No.: **810,810**
 [22] Filed: **Dec. 19, 1991**

[30] **Foreign Application Priority Data**
 Jun. 20, 1991 [SE] Sweden 911289
 [52] U.S. Cl. **D8/8**
 [58] Field of Search **D8/7-8;**
 56/12.7, 294, 295; 30/276, 390, DIG. 5;
 D15/16, 17

[56] **References Cited**
U.S. PATENT DOCUMENTS
 D. 252,130 6/1979 Hoff D8/8
 D. 285,079 8/1986 Huthmacher D15/14
 D. 298,905 12/1988 Petherick et al. D8/8
 D. 302,779 8/1989 Baba D8/8
 4,756,146 7/1988 Rouse 56/12.7
 4,926,557 5/1990 Haupt 30/276
 4,942,664 7/1990 Zatulovsky 30/276
 5,020,224 6/1991 Haupt 30/276

5,060,384 10/1991 Everts 30/276
 5,109,607 5/1992 Everts 30/276
 5,136,782 8/1992 Calcinai 30/276

FOREIGN PATENT DOCUMENTS

2828425 1/1980 Fed. Rep. of Germany 30/276

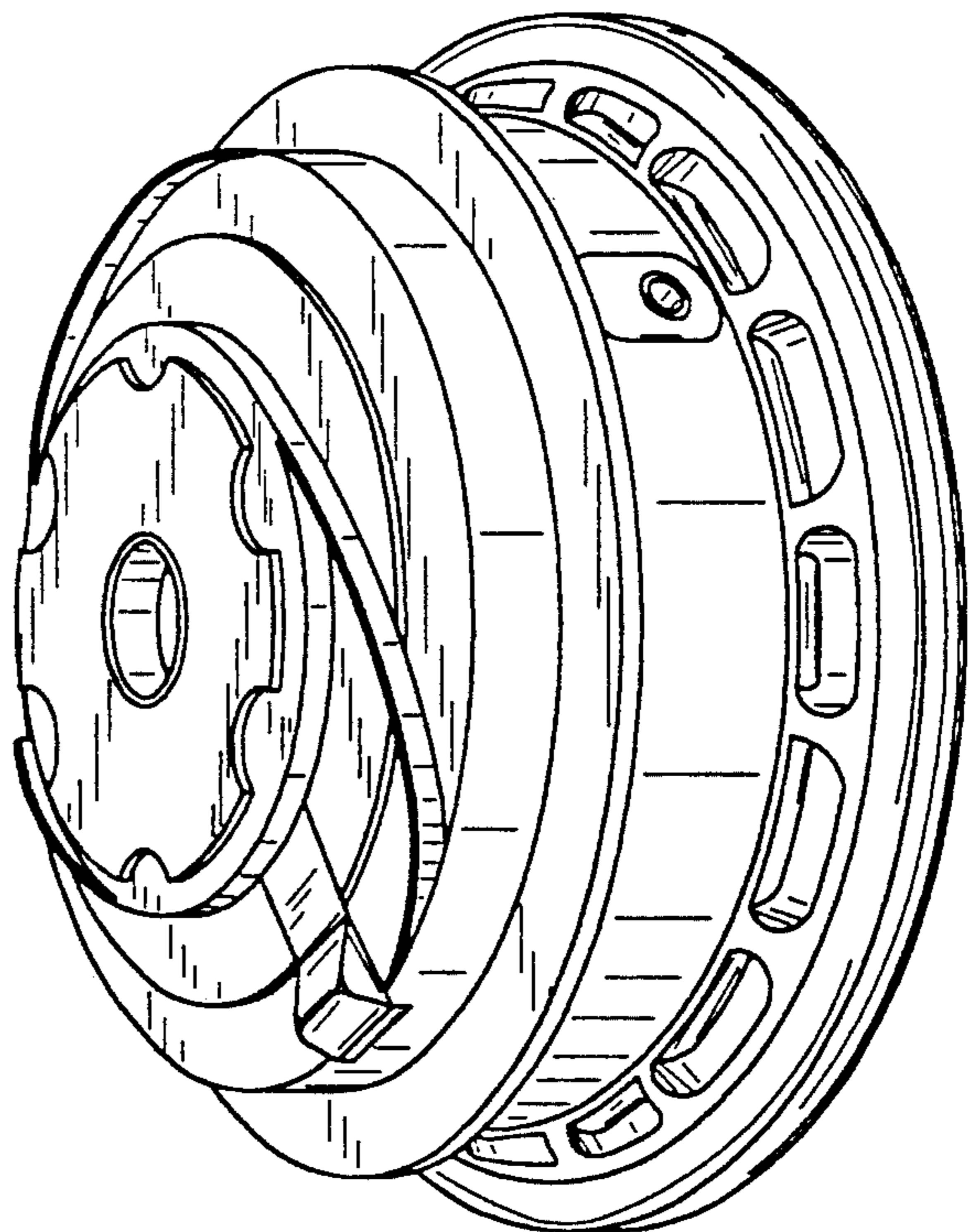
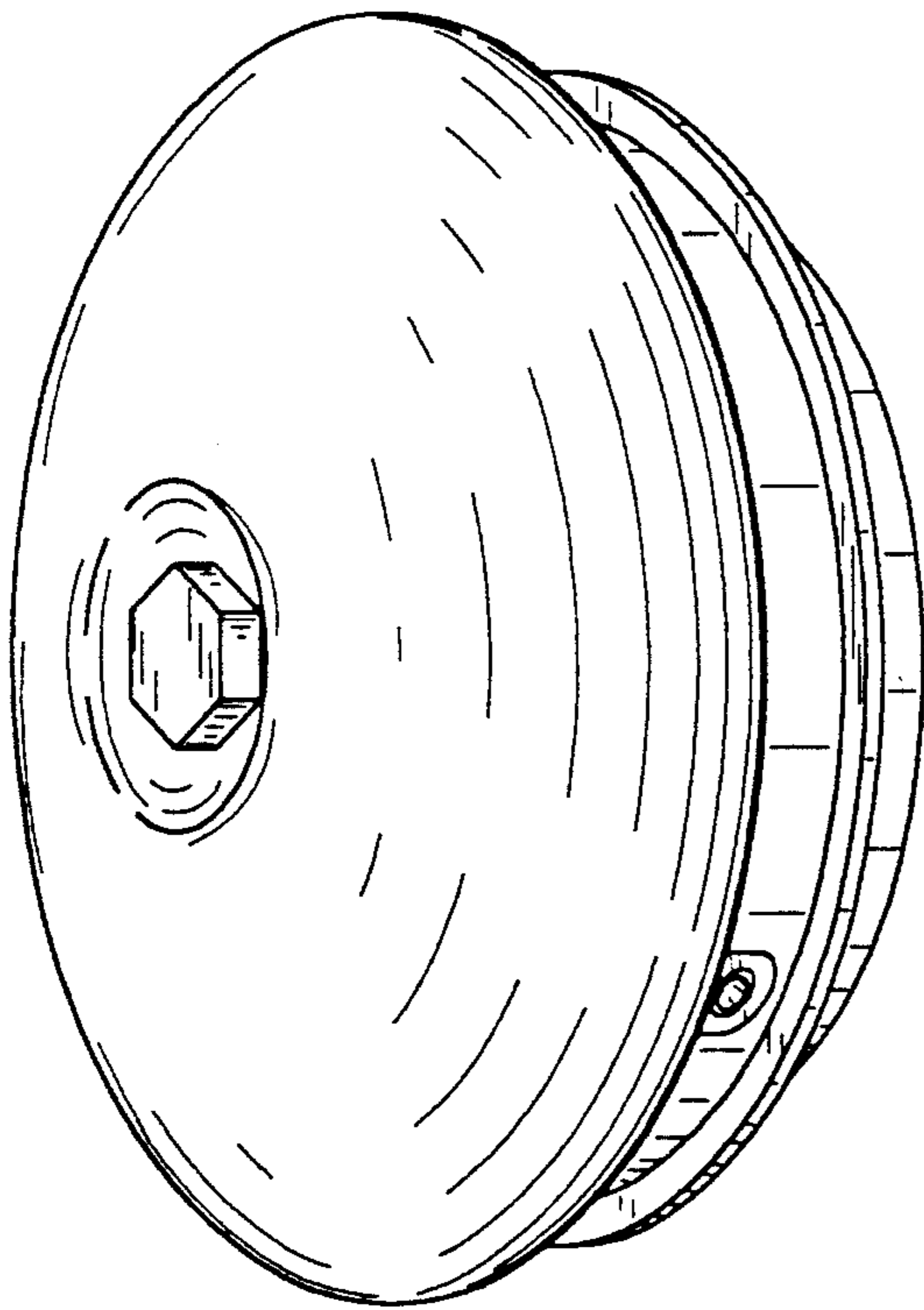
Primary Examiner—Bernard Ansher
Assistant Examiner—Sandra Morris
Attorney, Agent, or Firm—Pearne, Gordon, McCoy & Granger

[57] CLAIM

The ornamental design for a grass trimmer head, as shown and described.

DESCRIPTION

FIG. 1 shows a front perspective view of the grass trimmer head;
 FIG. 2 shows a bottom plan view of the grass trimmer head;
 FIG. 3 shows a top plan view of the grass trimmer head;
 FIG. 4 shows a front elevation of the grass trimmer head;
 FIG. 5 shows a rear elevation of the grass trimmer head;
 and,
 FIG. 6 shows a top perspective view of the grass trimmer head.



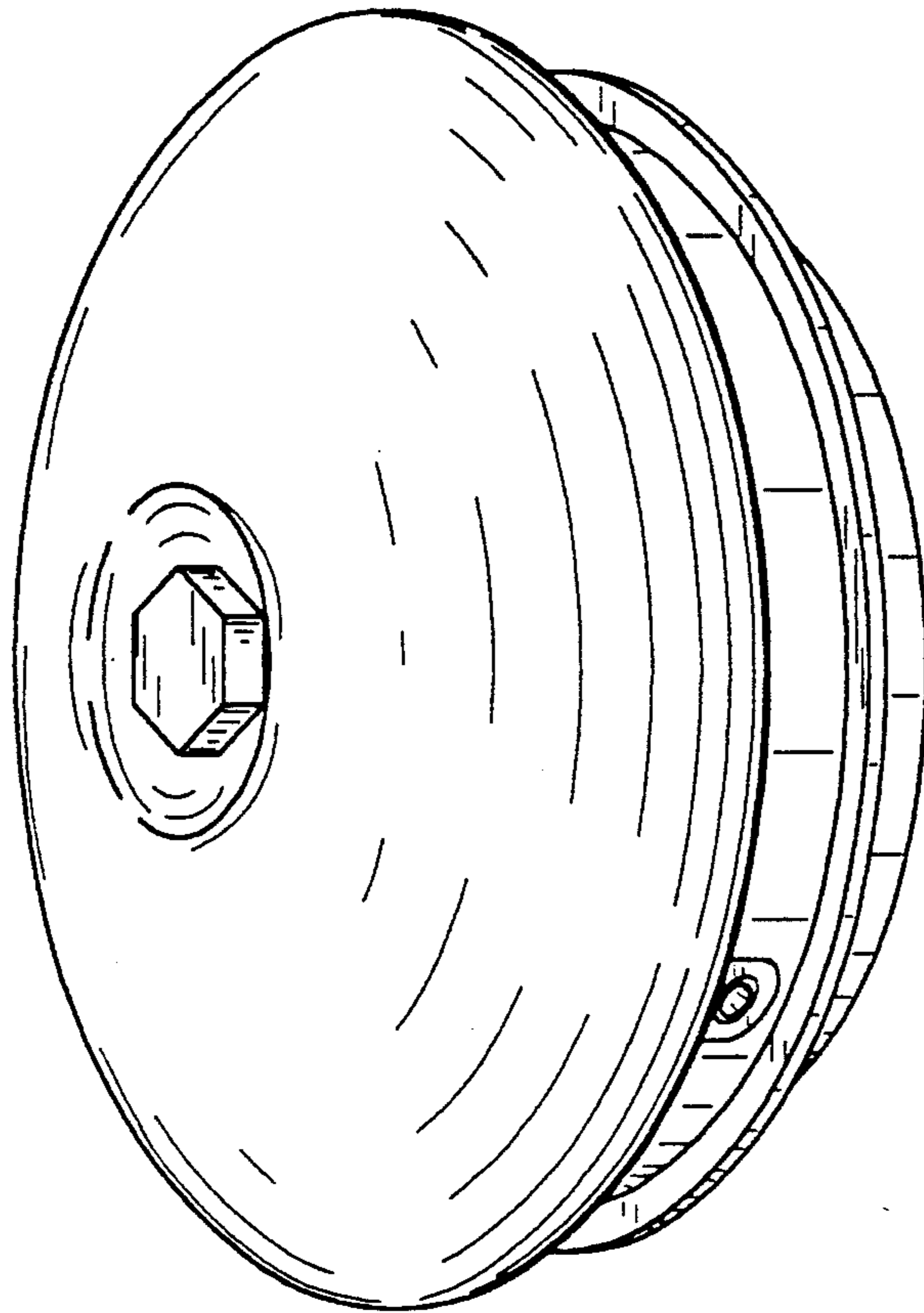


Fig.1

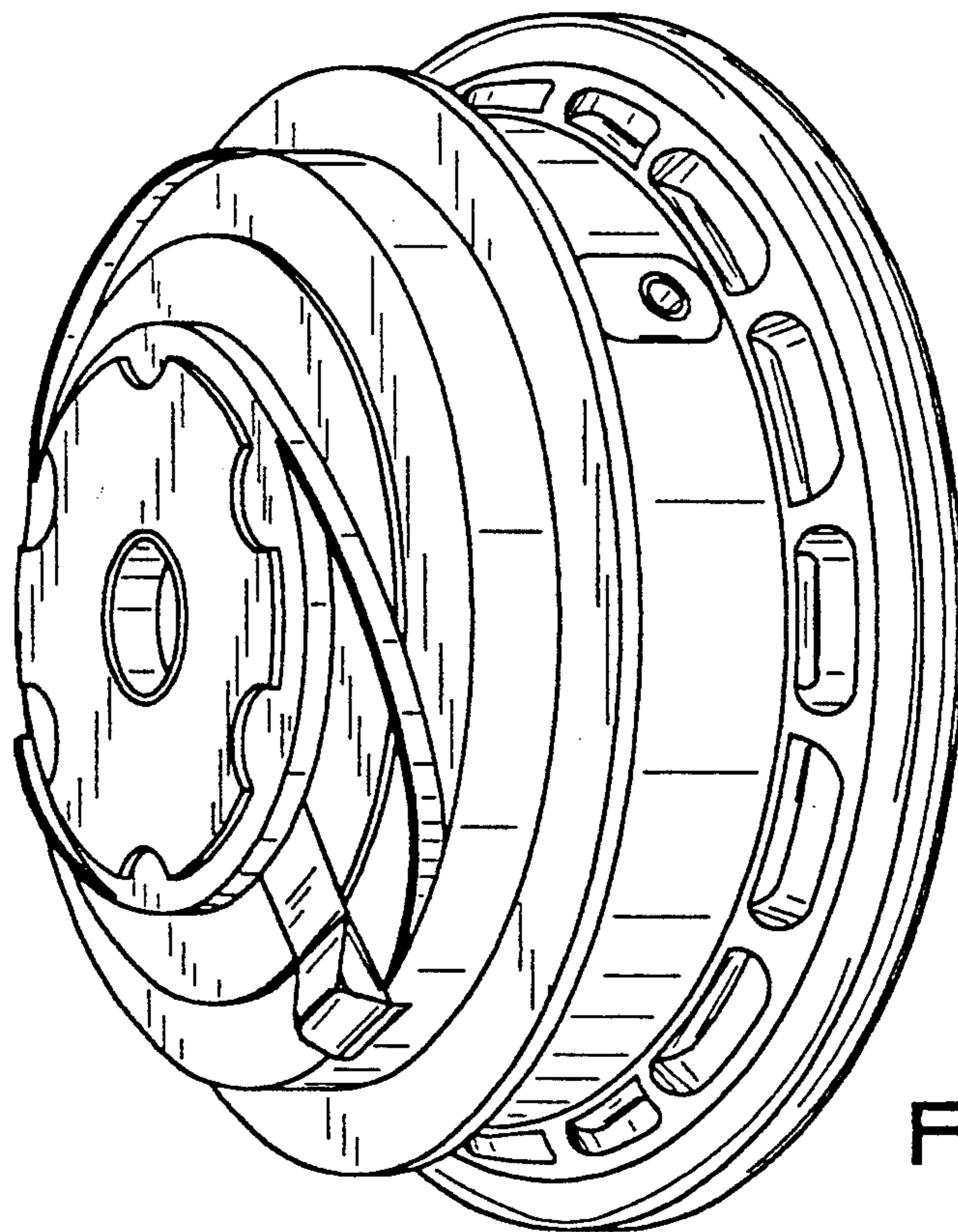


Fig.6

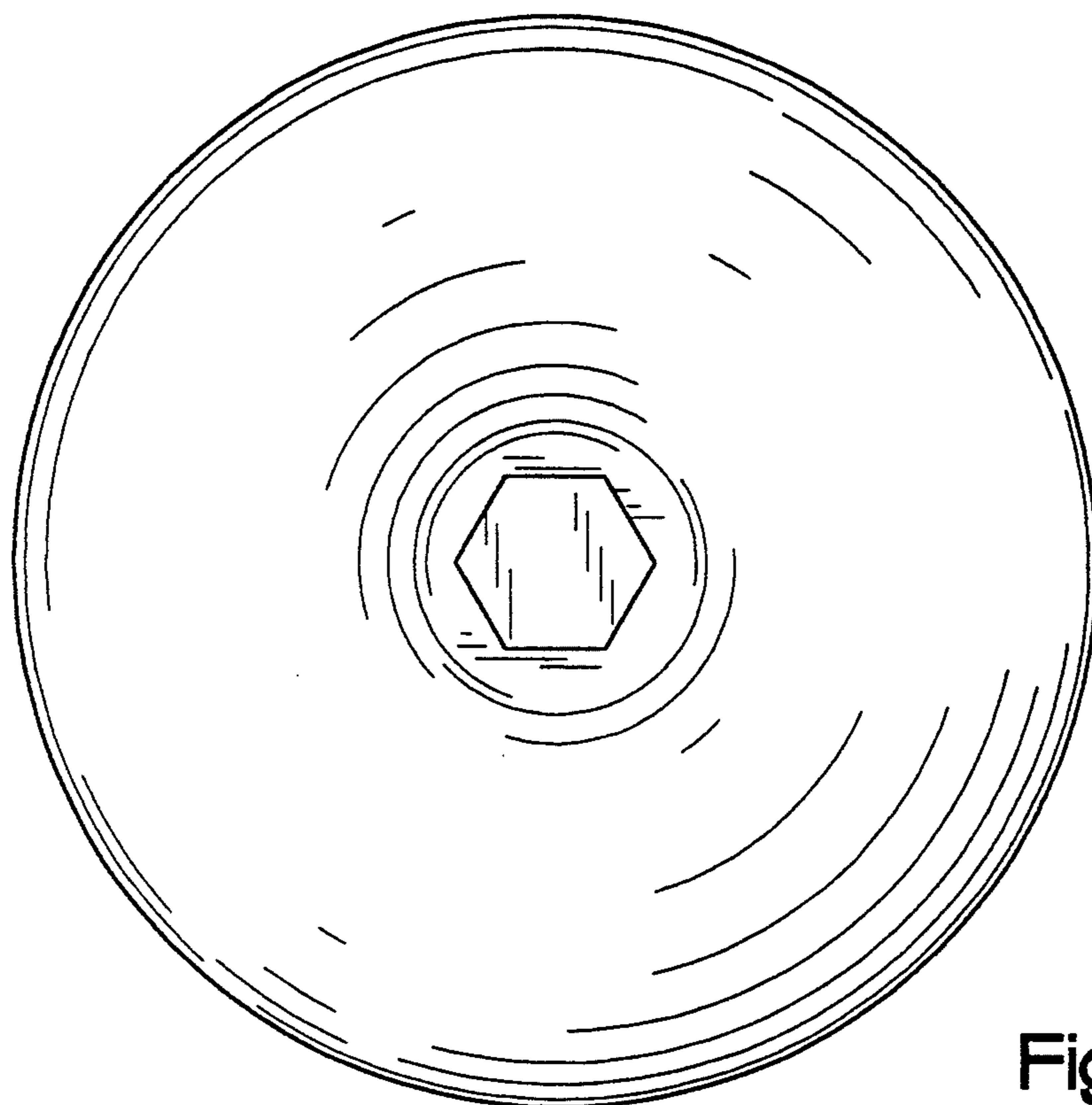


Fig.2

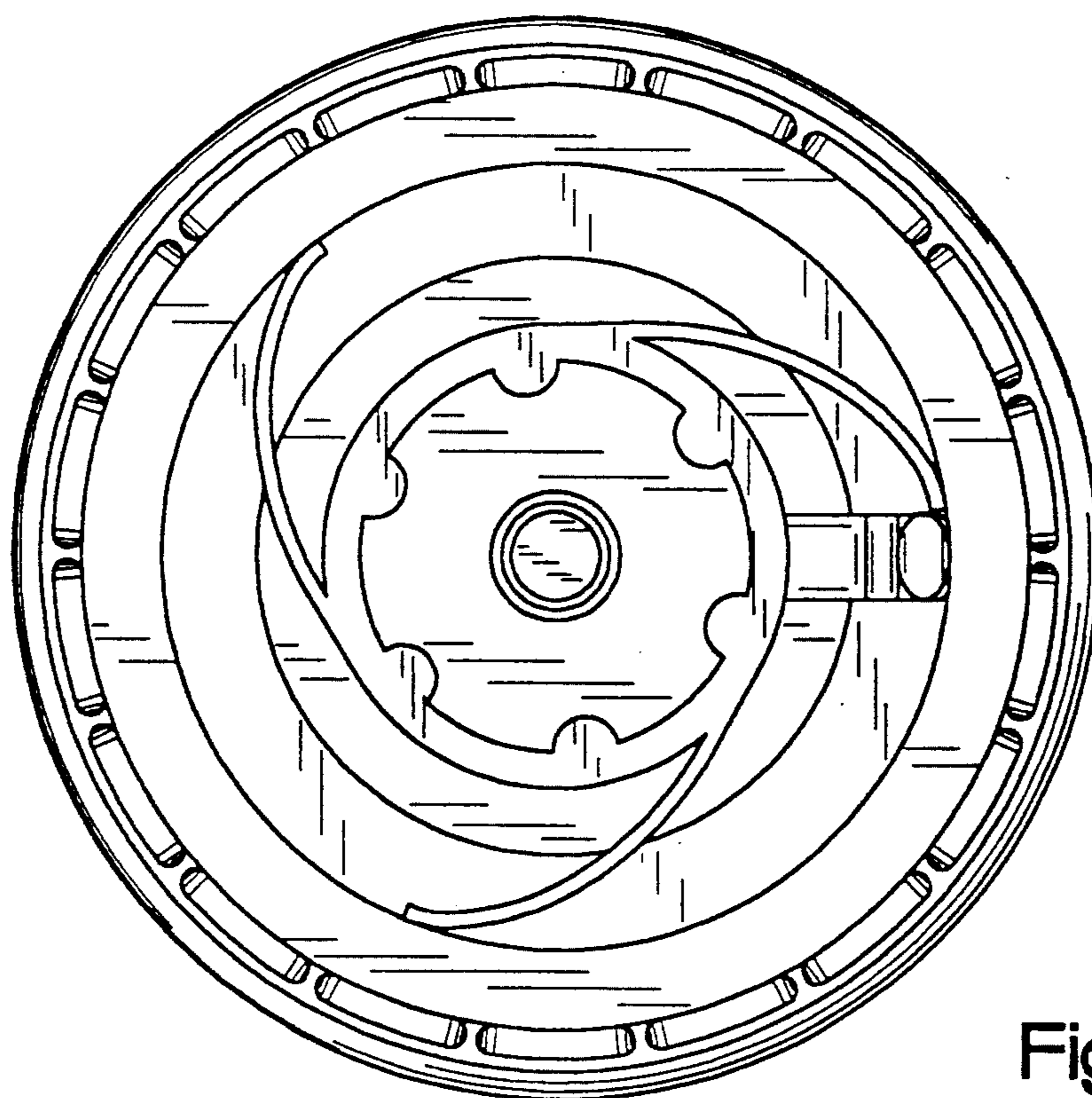


Fig.3

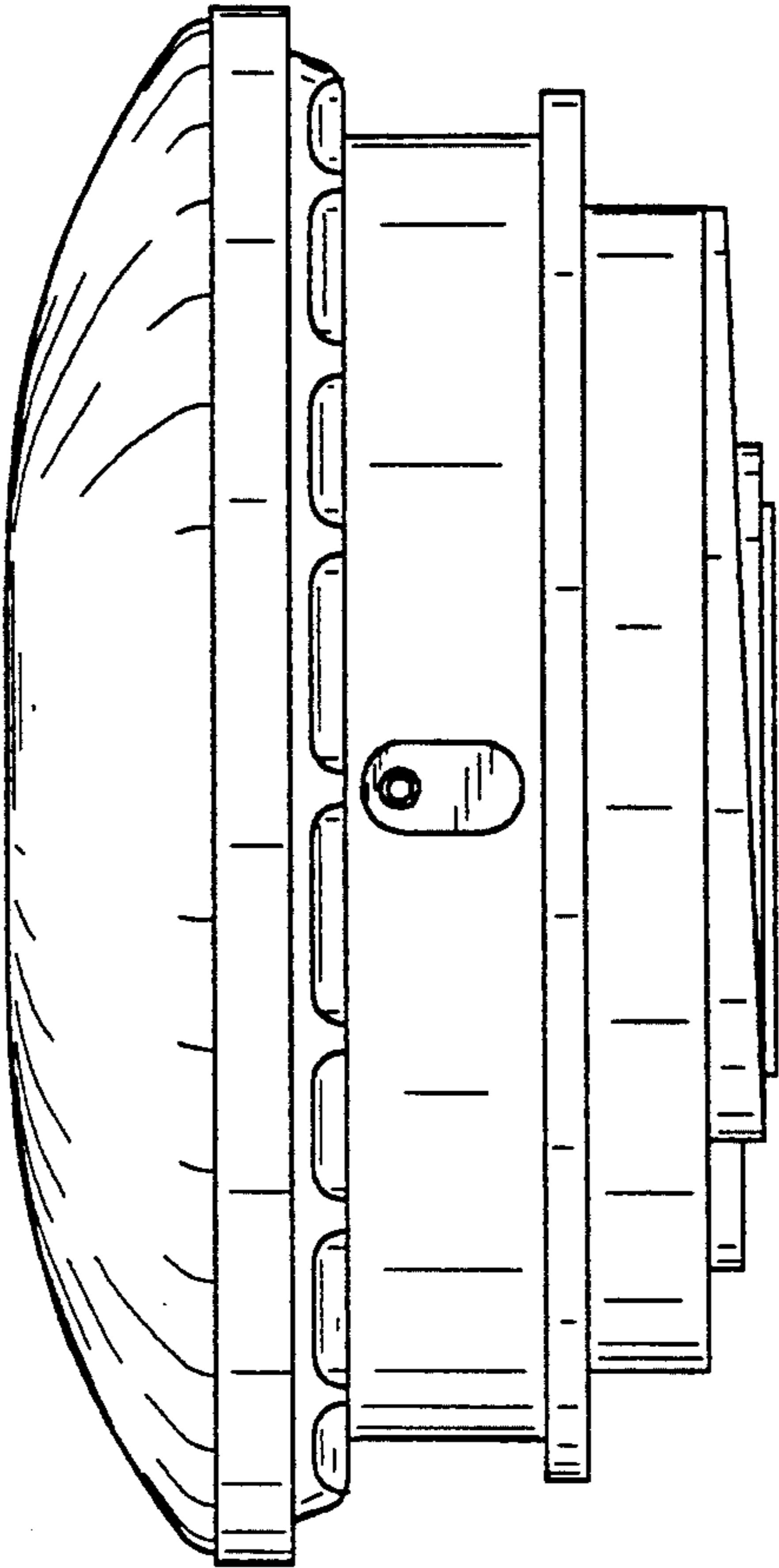


Fig.4

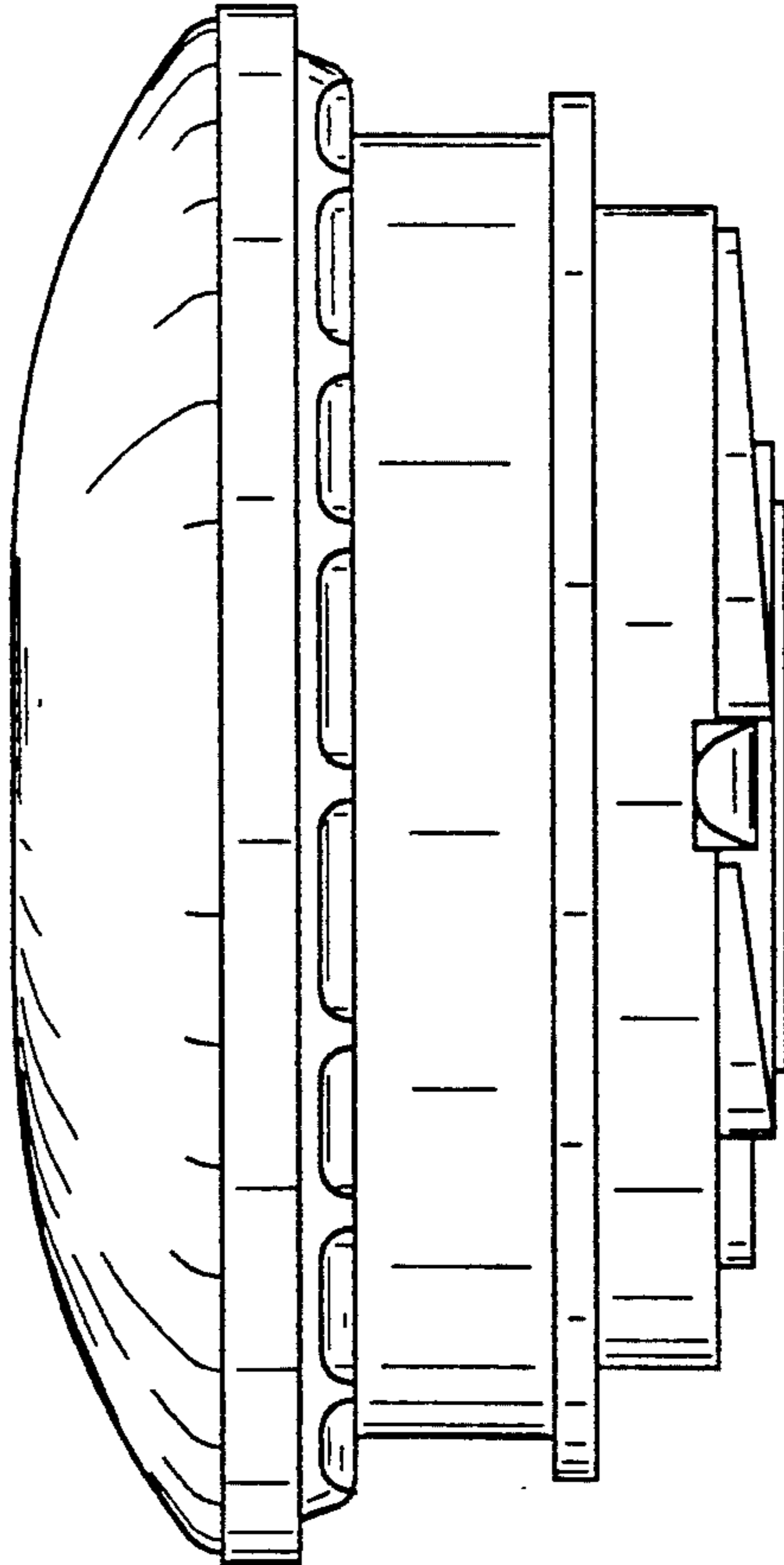


Fig.5