



US00D346724S

# United States Patent [19]

[11] Patent Number: **Des. 346,724**

**Ayala**

[45] Date of Patent: **\*\* May 10, 1994**

[54] **HAND-OPERATED DOUGH PRESS**

5,017,394 5/1991 Macpherson ..... 426/302

[76] Inventor: **Caesar Ayala, 1746 McKinley Ave.,  
San Antonio, Tex. 78210**

**OTHER PUBLICATIONS**

Gifts & Dacorative Accessories, Sep. 1976, p. 144, Ravioli Maker.

Bloomington, Sep. 1982, p. 14, Pasta Maker "C".

[\*\*] Term: **14 Years**

*Primary Examiner*—Terry A. Wallace

*Attorney, Agent, or Firm*—Gunn, Lee & Miller

[21] Appl. No.: **913,610**

[22] Filed: **Jul. 14, 1992**

[52] U.S. Cl. .... **D7/672**

[57] **CLAIM**

[58] Field of Search ..... **D7/672, 673, 376;  
425/289, 374; 426/283, 502**

The ornamental design for a hand-operated dough press, as shown.

[56] **References Cited**

**DESCRIPTION**

**U.S. PATENT DOCUMENTS**

D. 178,927	10/1956	Meli	.....	D7/673
D. 297,093	8/1988	Smith, Sr.	.....	D7/693
2,719,493	10/1955	Brooks	.....	107/1
3,364,877	1/1968	Zublana	.....	107/1
4,112,127	9/1978	Popeil	.....	426/283
4,498,377	2/1985	Smith	.....	99/450

FIG. 1 is a front and right side perspective view of a hand-operated dough press;

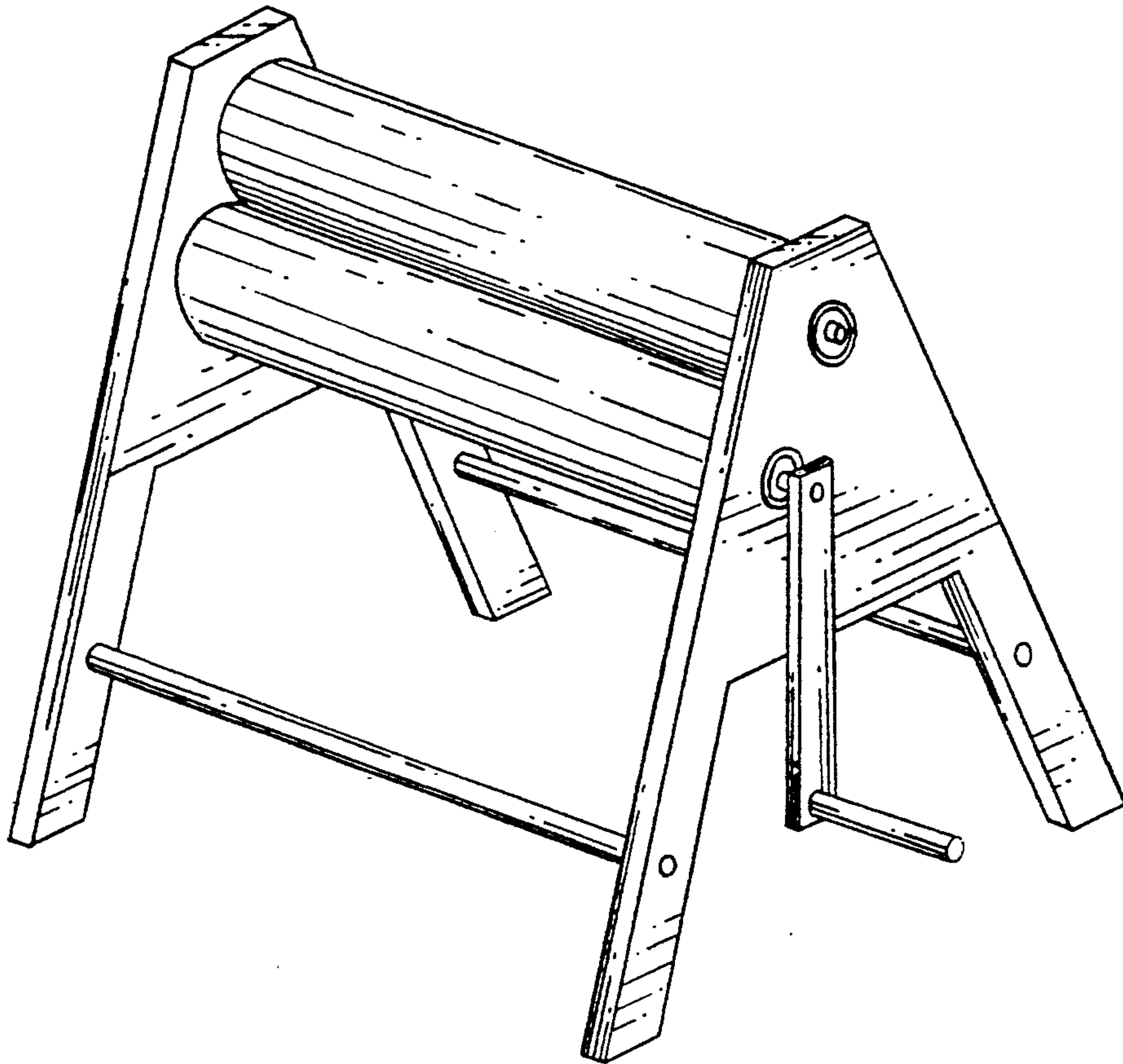
FIG. 2 is a front elevational view thereof;

FIG. 3 is a rear elevational view thereof;

FIG. 4 is a top plan view thereof;

FIG. 5 is a left side elevational view thereof; and,

FIG. 6 is a right side elevational view thereof.



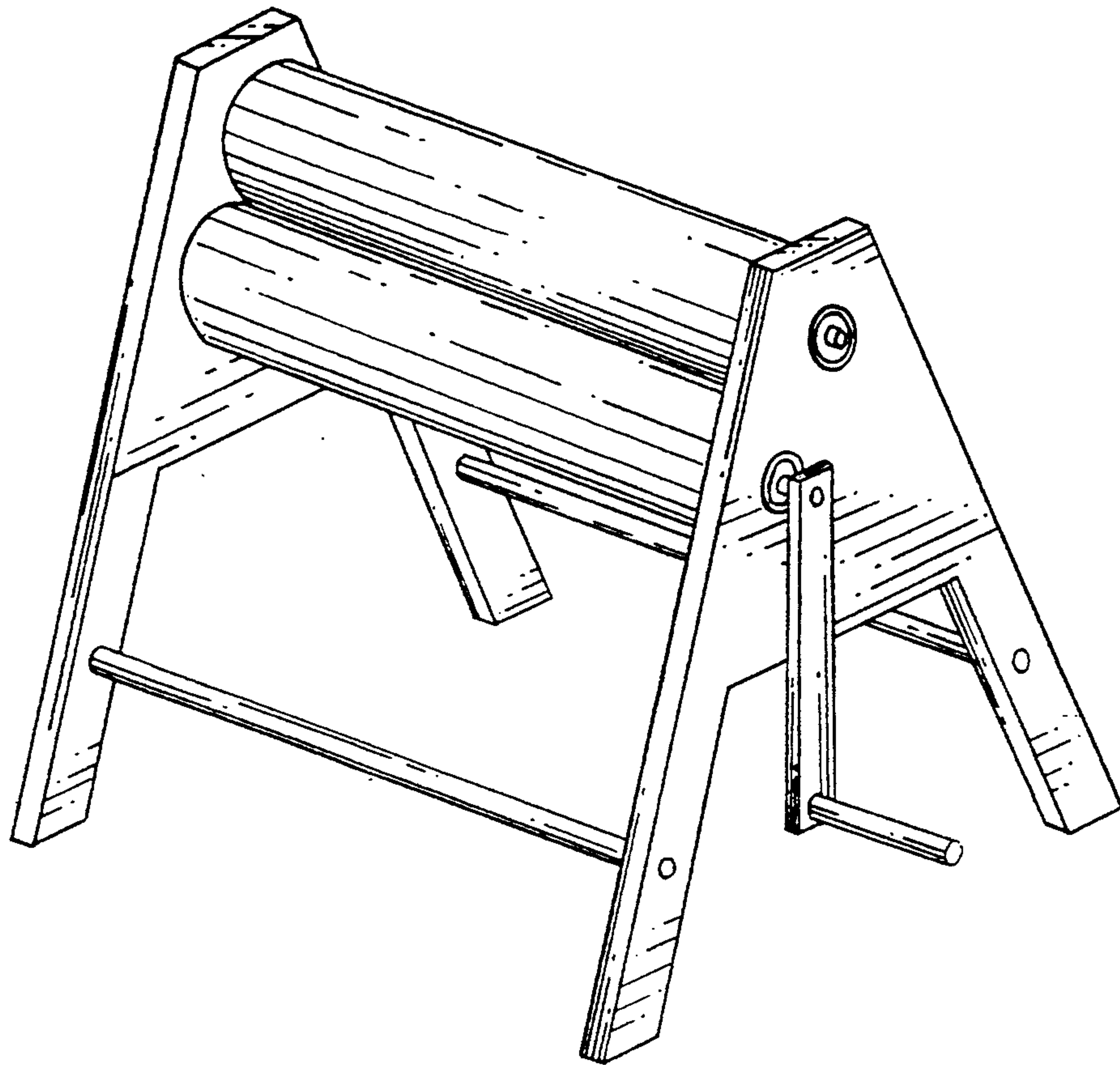


FIG. 1

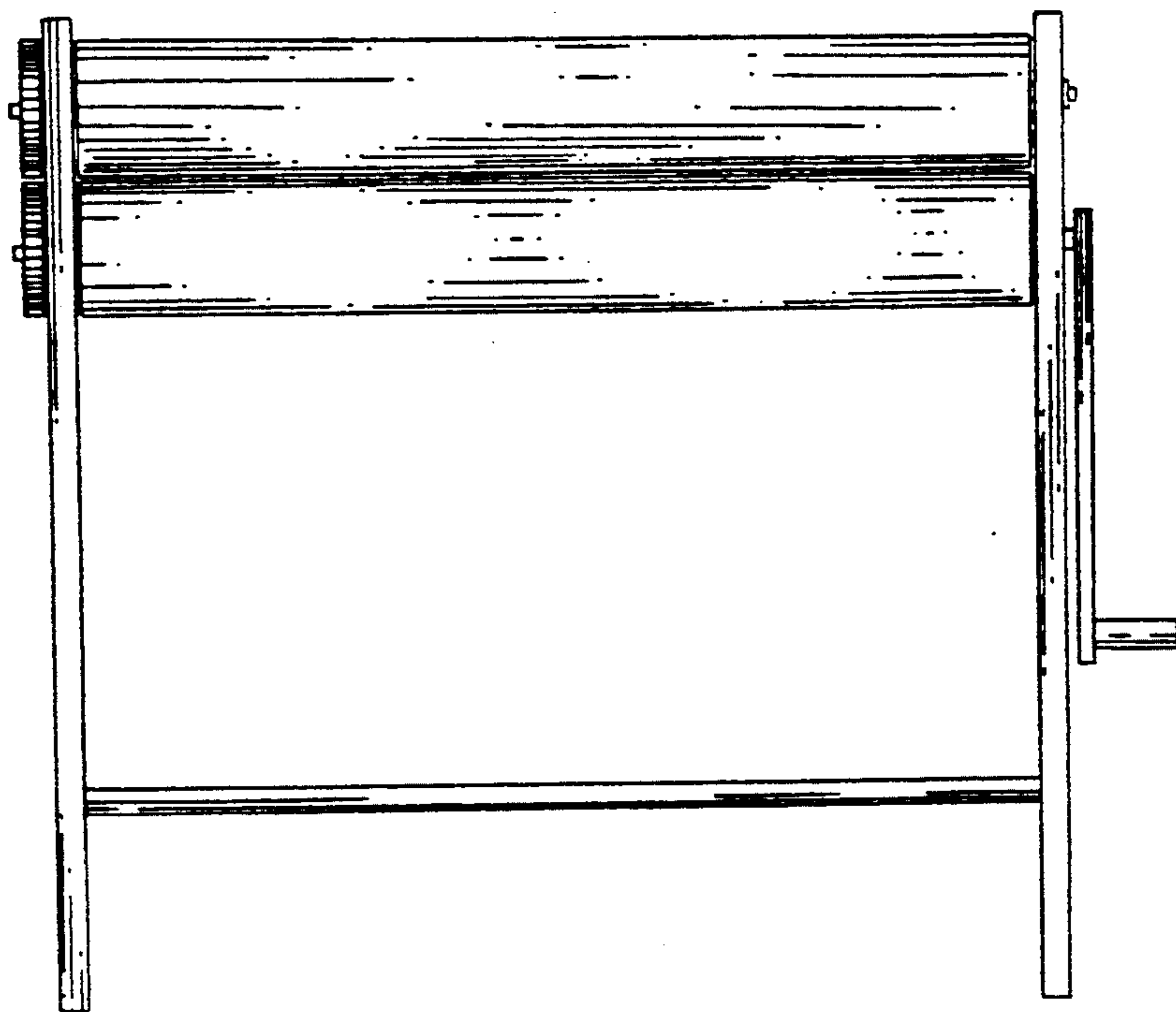


FIG. 2

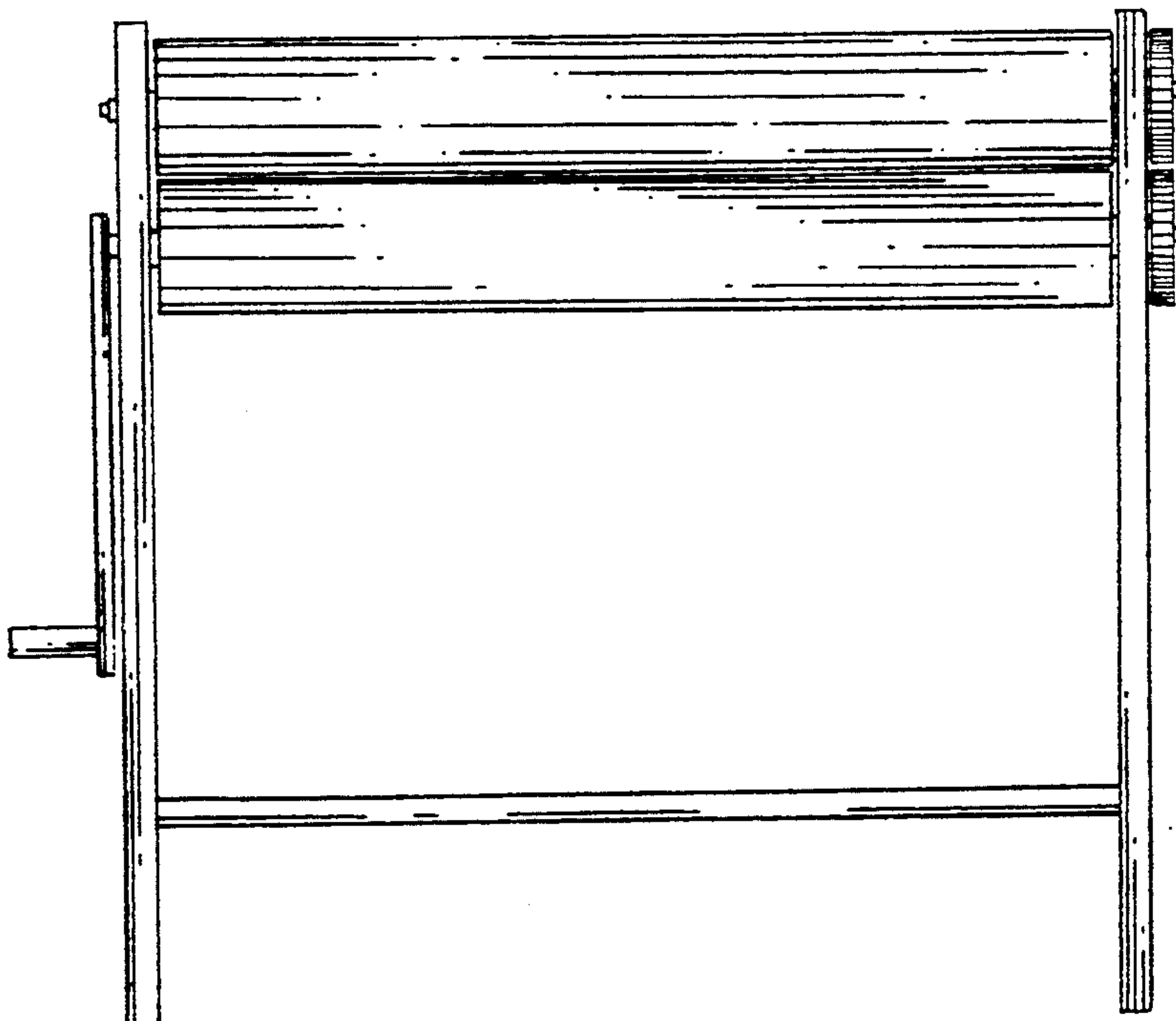


FIG. 3

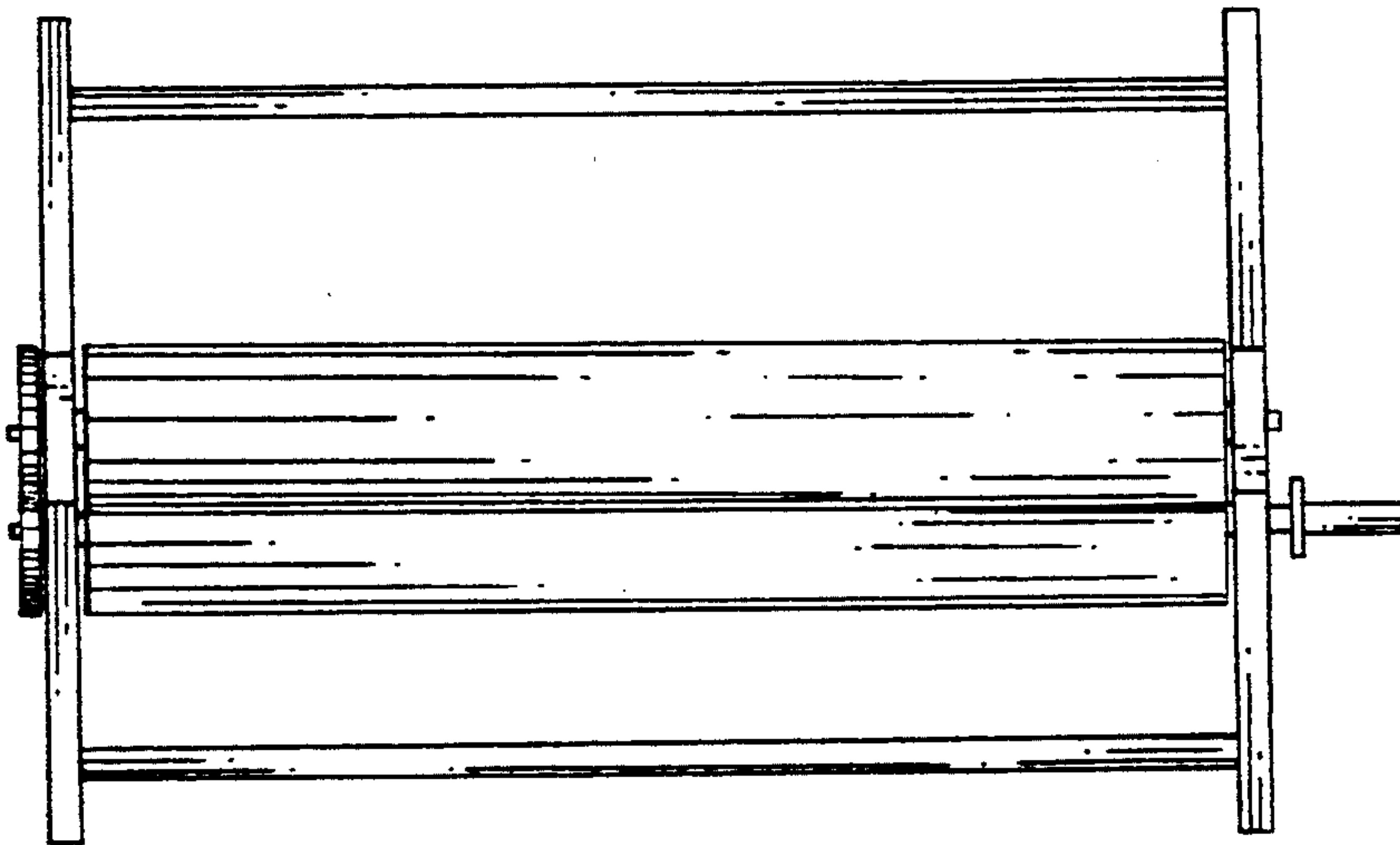


FIG. 4

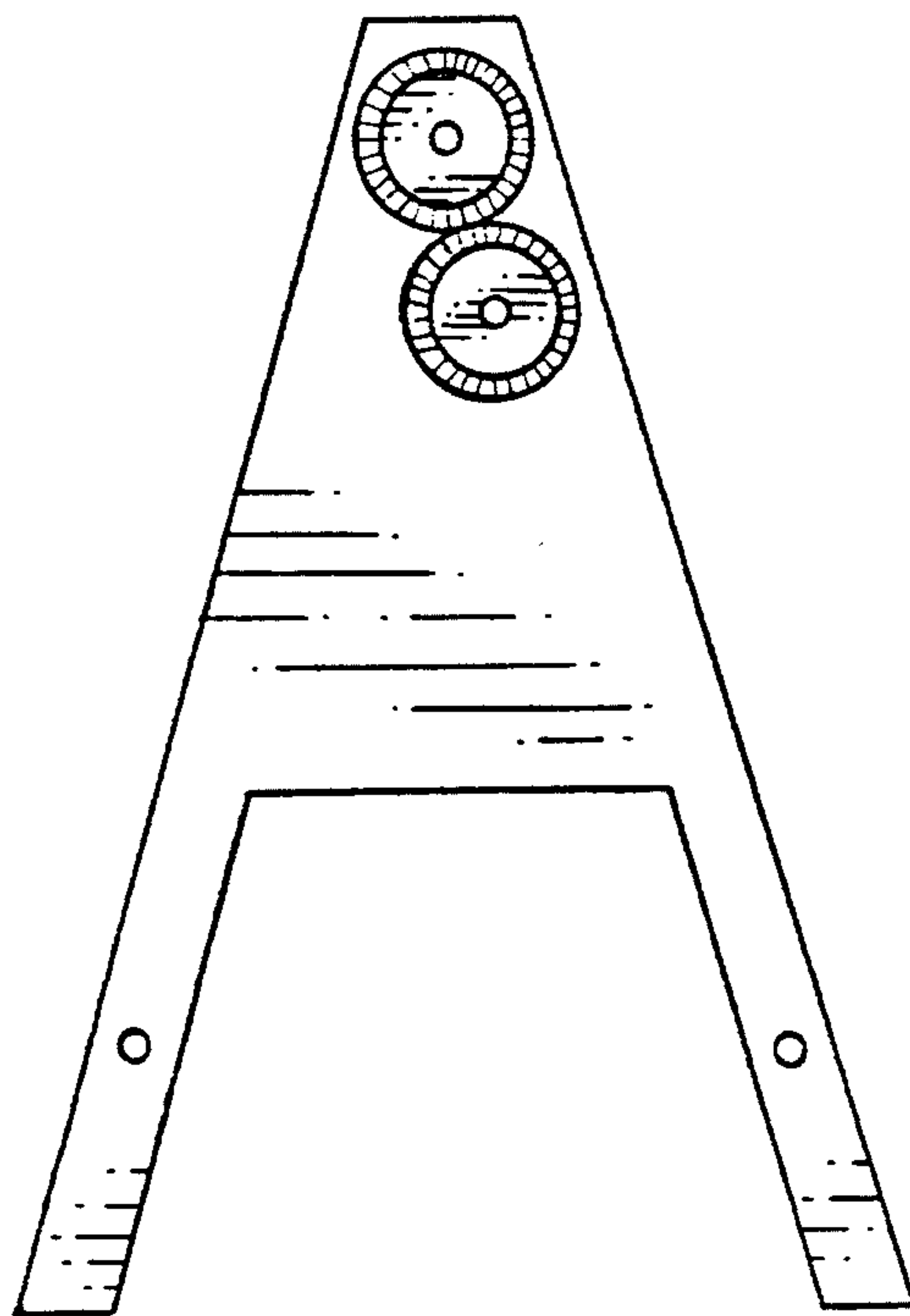


FIG. 5

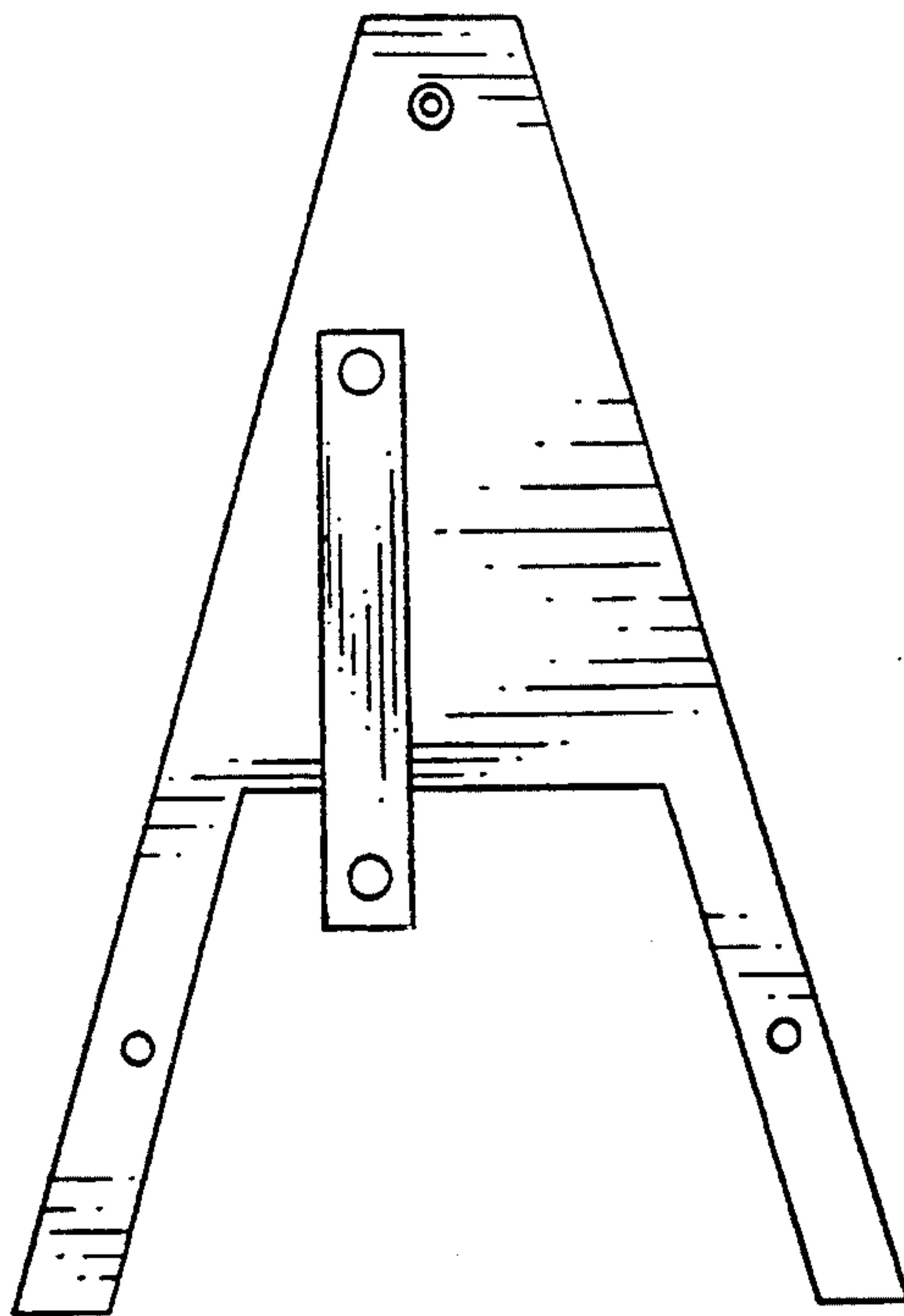


FIG. 6