



US00D346723S

United States Patent [19]

[11] Patent Number: **Des. 346,723**

LaVine

[45] Date of Patent: **** May 10, 1994**

[54] **CANNED FOOD PRESS**

[56]

References Cited

U.S. PATENT DOCUMENTS

[76] Inventor: **Kenneth A. LaVine**, 2567 Hendricks Rd., Lakeport, Calif. 95453

D. 228,721 10/1973 Todd D7/624
3,995,544 12/1976 Farley D7/665 X

Primary Examiner—Terry A. Wallace
Attorney, Agent, or Firm—Larry D. Johnson

[**] Term: **14 Years**

[57]

CLAIM

The ornamental design for a canned food press, as shown.

[21] Appl. No.: **924,820**

DESCRIPTION

[22] Filed: **Aug. 4, 1992**

[52] U.S. Cl. **D7/665**

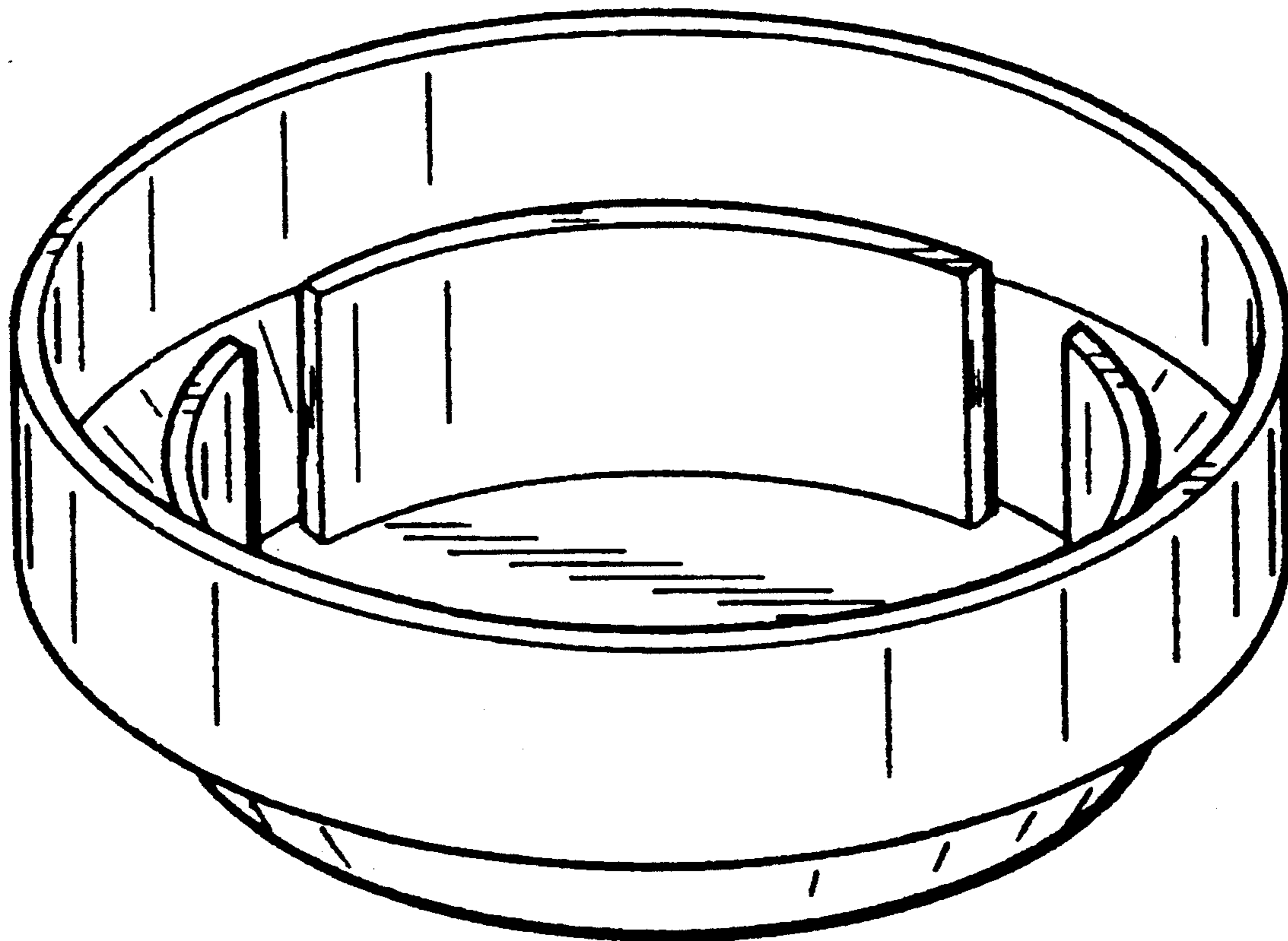
[58] Field of Search D7/665, 666; 100/116,
100/213; 210/464, 470

FIG. 1 is a perspective view of a canned food press showing my new design;

FIG. 2 is a side elevational view thereof, all sides being identical;

FIG. 3 is a top plan view thereof; and,

FIG. 4 is a bottom plan view thereof.



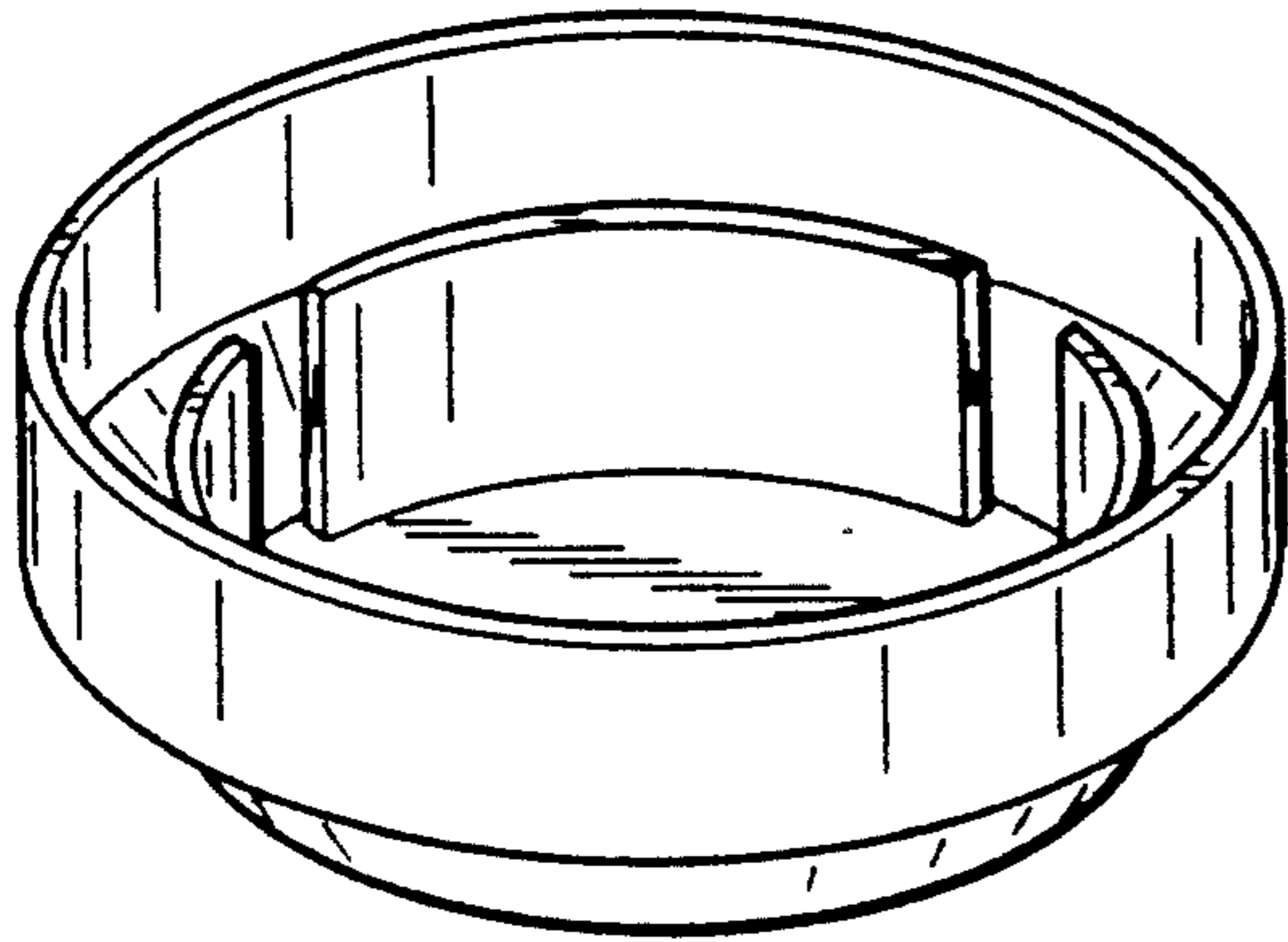


FIG._1

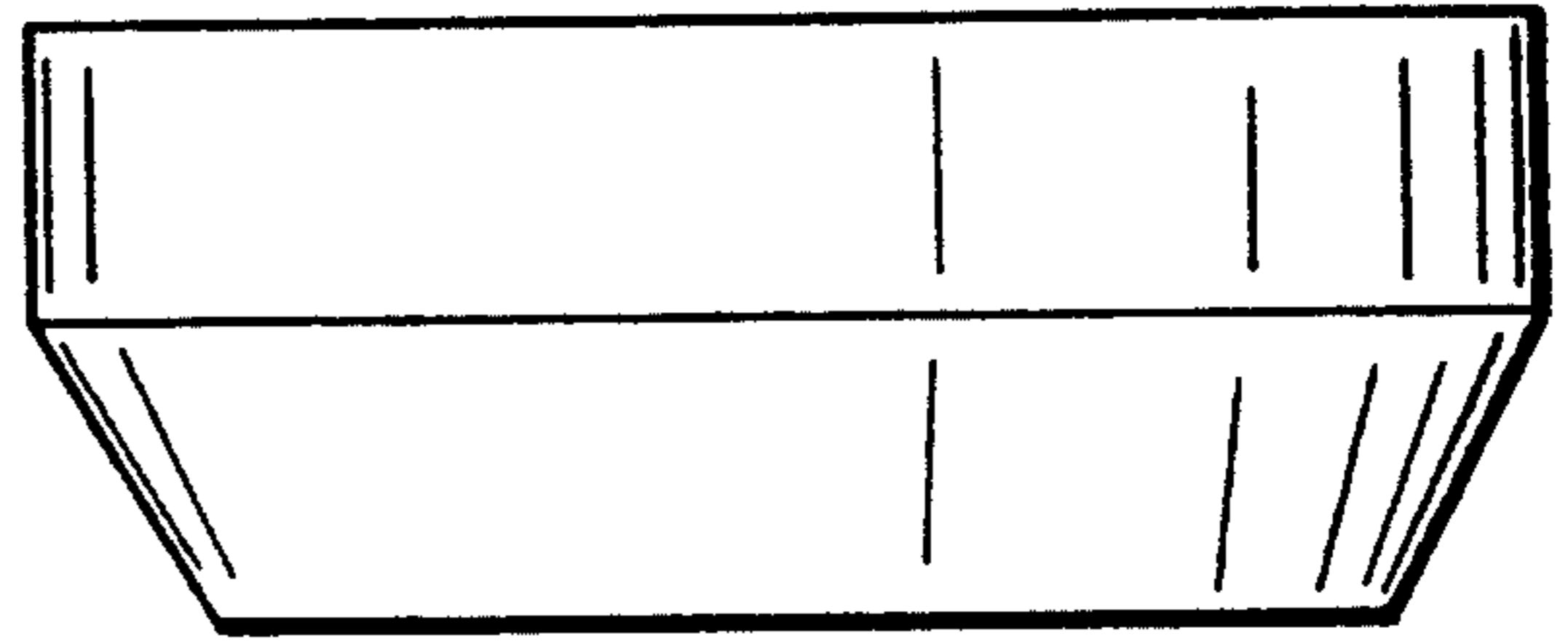


FIG._2

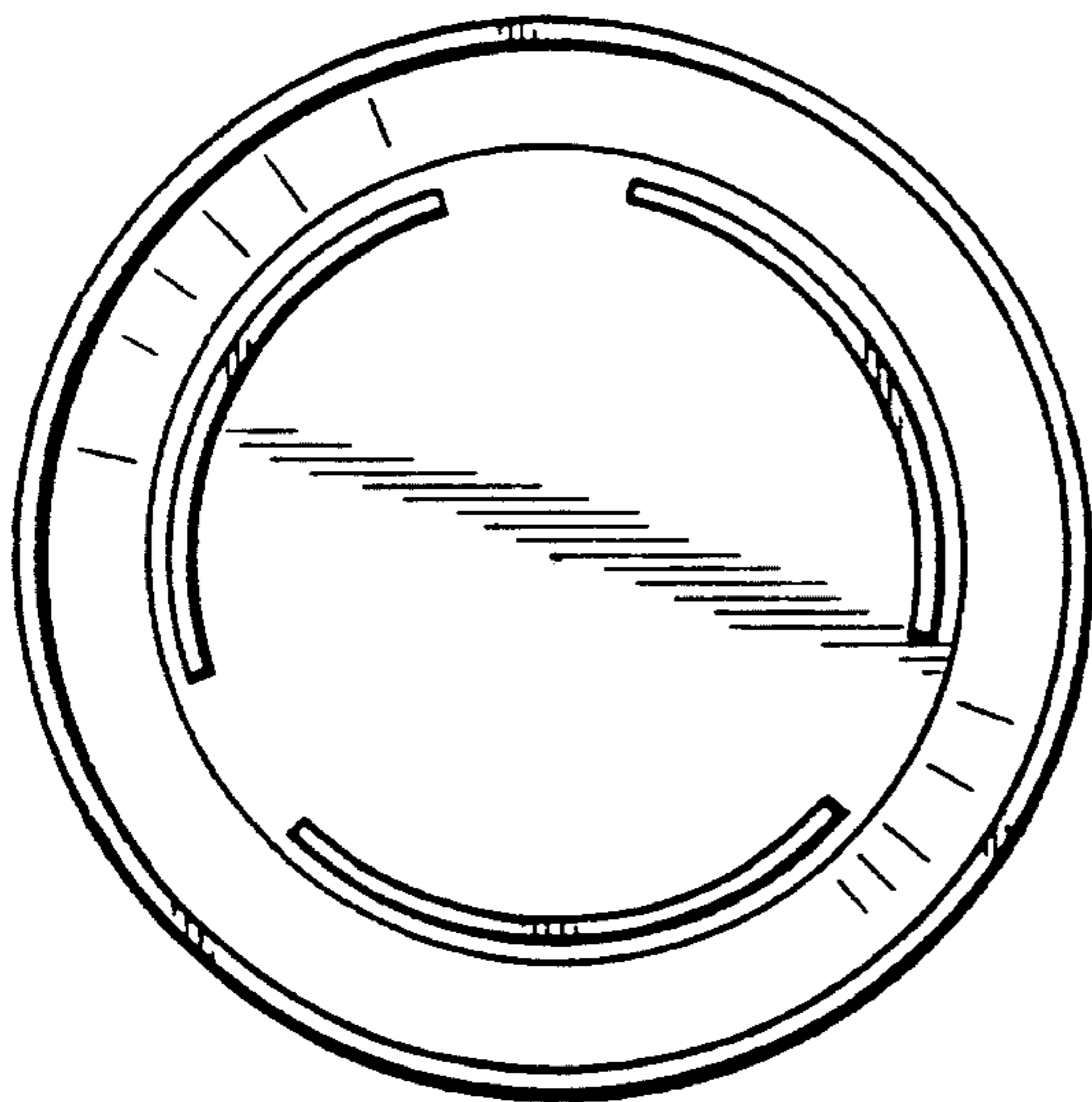


FIG._3

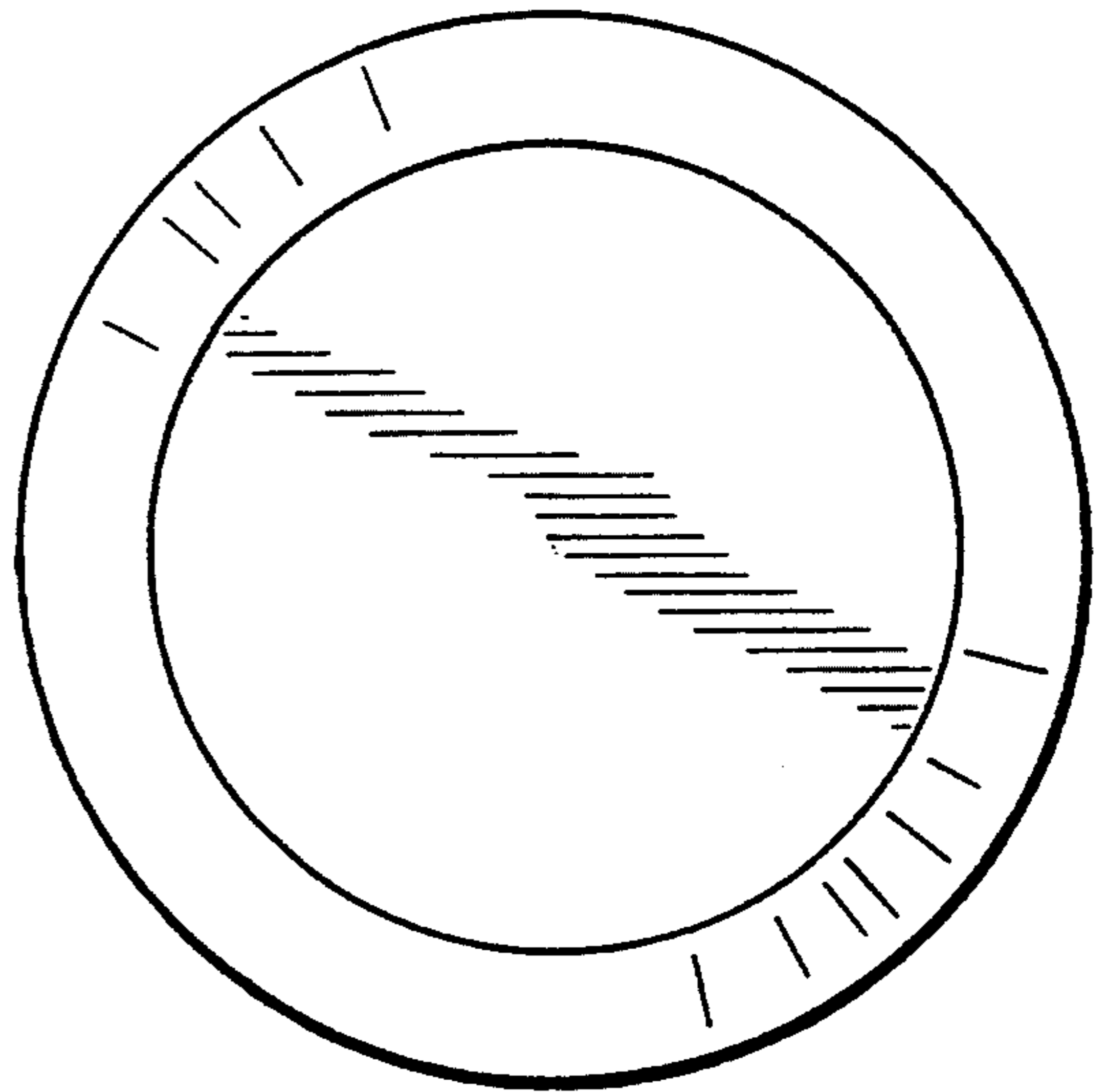


FIG._4