



US00D346722S

United States Patent [19]

[11] Patent Number: **Des. 346,722**

Burdick et al.

[45] Date of Patent: **** May 10, 1994**

[54] **FLATWARE**

[75] Inventors: **Bruce Burdick; Susan K. Burdick,**
both of San Francisco, Calif.

[73] Assignee: **The Burdick Group, San Francisco,**
Calif.

[**] Term: **14 Years**

[21] Appl. No.: **3,015**

[22] Filed: **Dec. 24, 1992**

[52] U.S. Cl. **D7/645; D7/642;**
D7/649; D7/653

[58] Field of Search **D7/642, 645-654,**
D7/662-664, 681, 683, 688-690, 692, 401.2;
30/147-150, 322-324, 327, 340

[56] **References Cited**

U.S. PATENT DOCUMENTS

| | | | |
|------------|---------|-----------------|----------|
| D. 78,932 | 7/1929 | Joslin | D7/664 |
| D. 154,006 | 5/1949 | Wagner | D7/649 |
| D. 182,309 | 3/1958 | Salm | D7/650 |
| D. 182,827 | 5/1958 | Latham | D7/652 |
| D. 203,943 | 3/1966 | Laughlin | D7/647 |
| D. 215,996 | 11/1969 | Weeber | D7/664 X |
| D. 247,086 | 1/1978 | Gonshorek | D7/645 |
| D. 249,626 | 9/1978 | Seibel | D7/653 |
| D. 261,093 | 10/1981 | Segal | D7/645 |
| D. 275,169 | 8/1984 | Watanabe | D7/645 |
| D. 307,095 | 4/1990 | Juergens | D7/653 |
| 5,827 | 10/1848 | Smith | 30/298.4 |
| 116,412 | 6/1871 | Chapman | 30/298.4 |
| 135,590 | 2/1873 | Robinson | 30/1 |
| 356,452 | 1/1887 | Cox | 30/298.4 |
| 356,453 | 1/1887 | Cox | 30/295 |
| 1,250,890 | 12/1917 | Johnson | 30/327 |
| 2,429,405 | 10/1947 | Dringman | 30/142 |
| 2,789,349 | 4/1957 | Lee | 30/298.4 |

Primary Examiner—Alan P. Douglas
Assistant Examiner—Caron D. Veynar
Attorney, Agent, or Firm—Saidman Design Law Group

[57] **CLAIM**

The ornamental design for flatware, as shown and described.

DESCRIPTION

FIG. 1 is a perspective view of flatware showing our new design as embodied in a knife;
 FIG. 2 is a right side elevational view, the left side elevational view being a mirror image thereof;
 FIG. 3 is a top plan view of the knife in FIG. 1;
 FIG. 4 is a bottom plan view of the knife in FIG. 1;
 FIG. 5 is a front elevational view of the knife of FIG. 1;
 FIG. 6 is a rear elevational view of the knife of FIG. 1;
 FIG. 7 is a perspective view of a second embodiment of the flatware showing our new design as embodied in a fork;
 FIG. 8 is a right side elevational view, the left side elevational view being a mirror image thereof;
 FIG. 9 is a top plan view of the fork of FIG. 7;
 FIG. 10 is a bottom plan view of the fork of FIG. 7;
 FIG. 11 is a front elevational view of the fork of FIG. 7;
 FIG. 12 is a rear elevational view of the fork of FIG. 7;
 FIG. 13 is a perspective view of flatware showing our new design as embodied in a spoon;
 FIG. 14 is a right side elevational view, the left side elevational view being a mirror image thereof;
 FIG. 15 is a top plan view of a spoon of FIG. 13;
 FIG. 16 is a bottom plan view of a spoon of FIG. 13;
 FIG. 17 is a front elevational view of the spoon of FIG. 13; and,
 FIG. 18 is a rear elevational view of the spoon of FIG. 13.

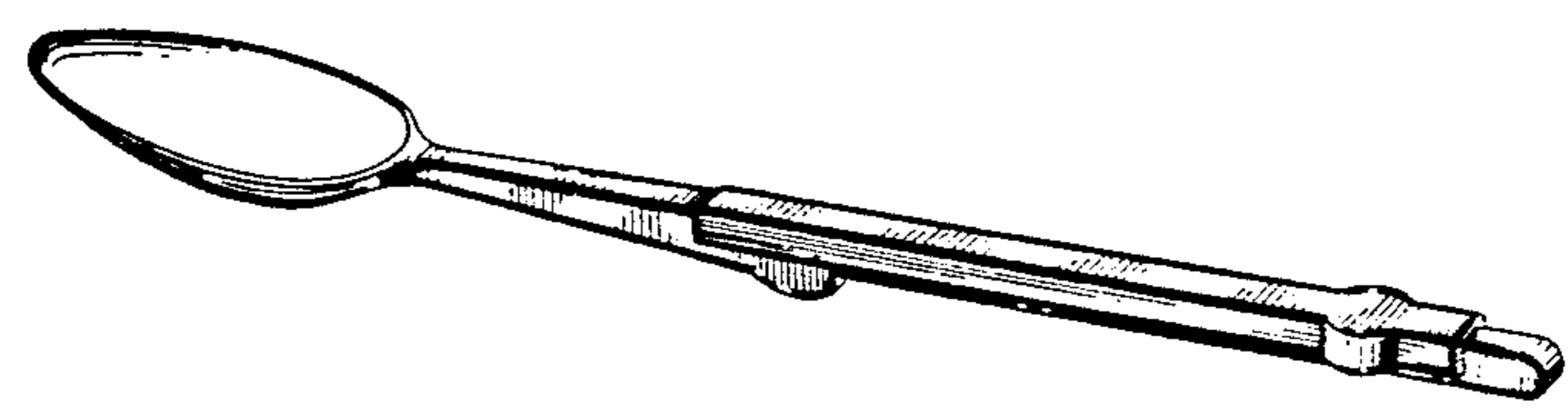
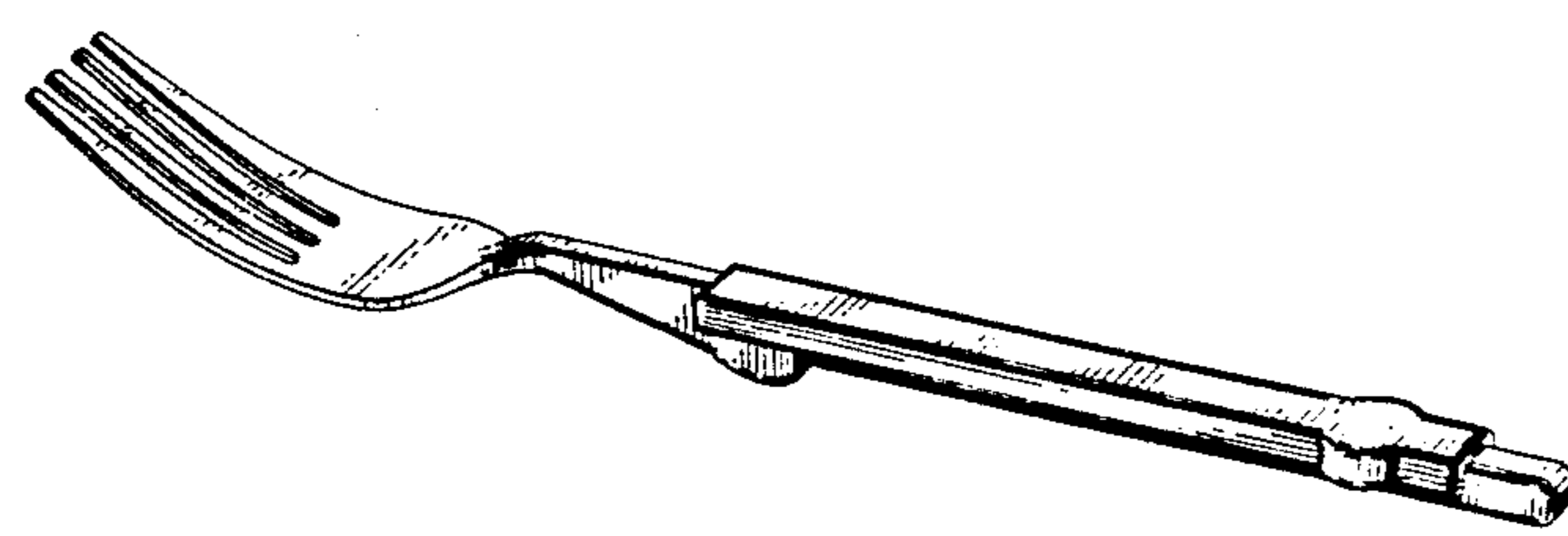
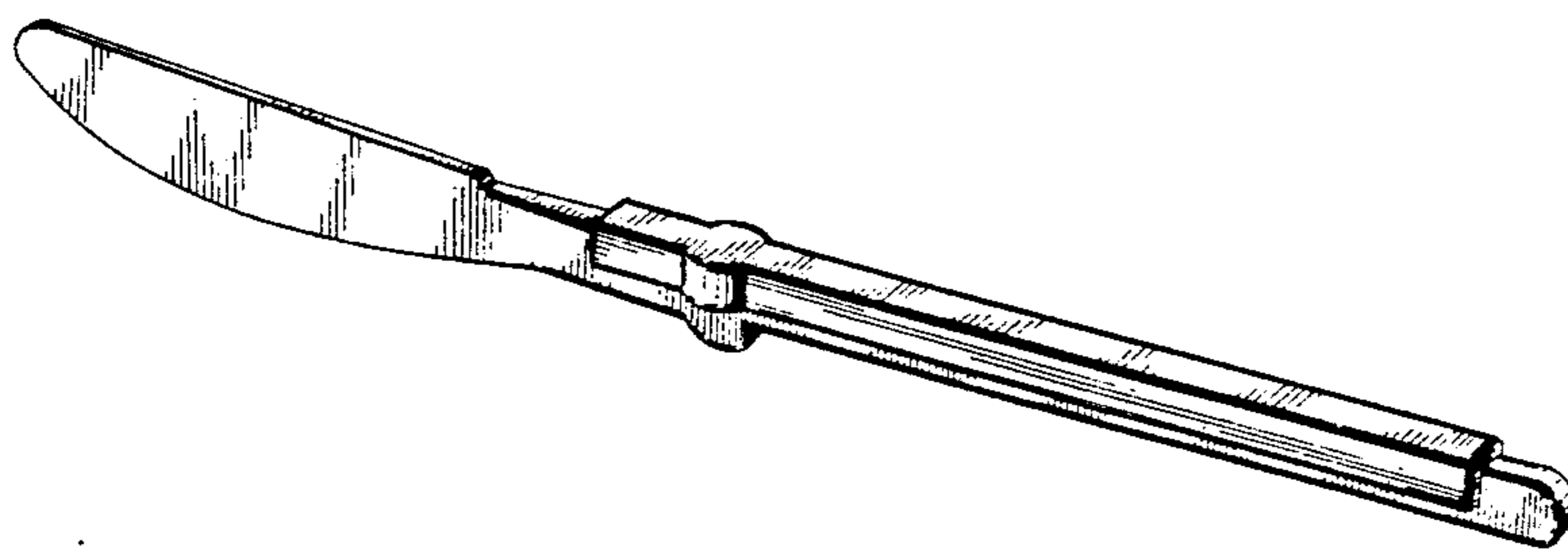


FIG. 1

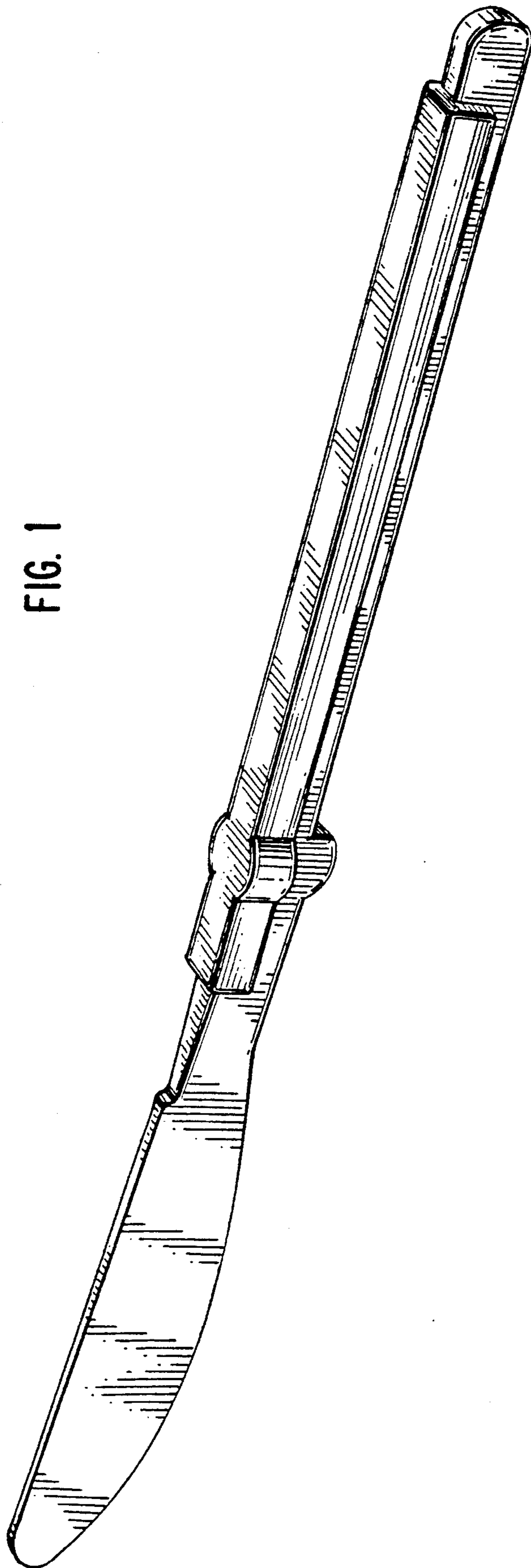


FIG. 2

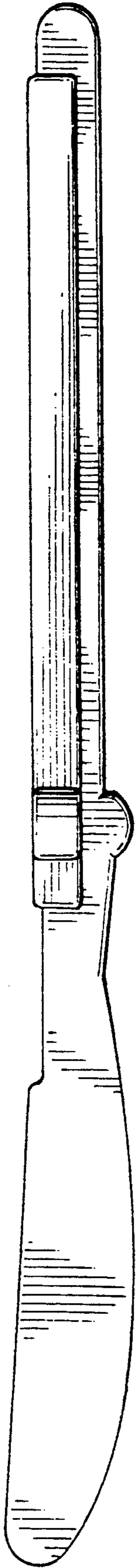


FIG. 3

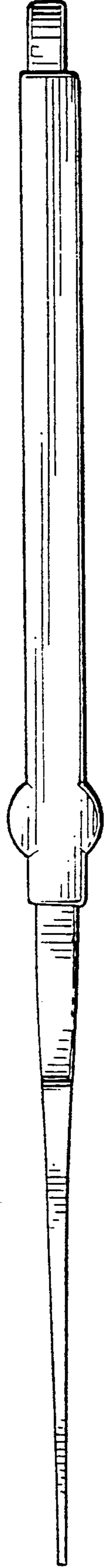


FIG. 4

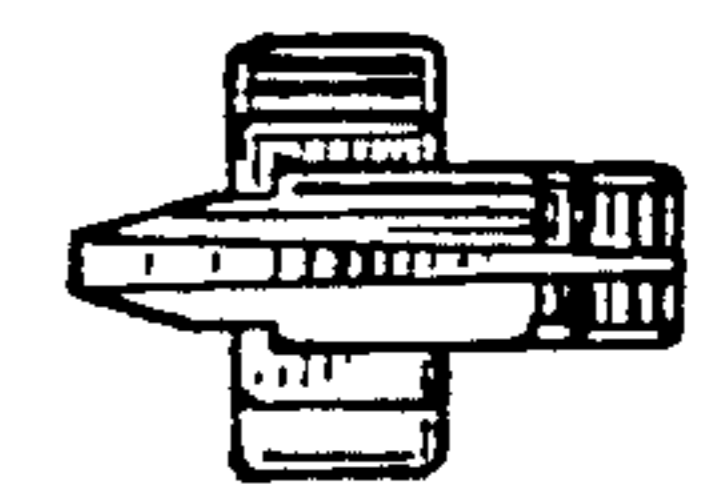
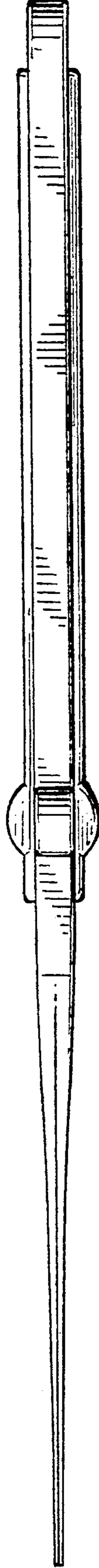


FIG. 5

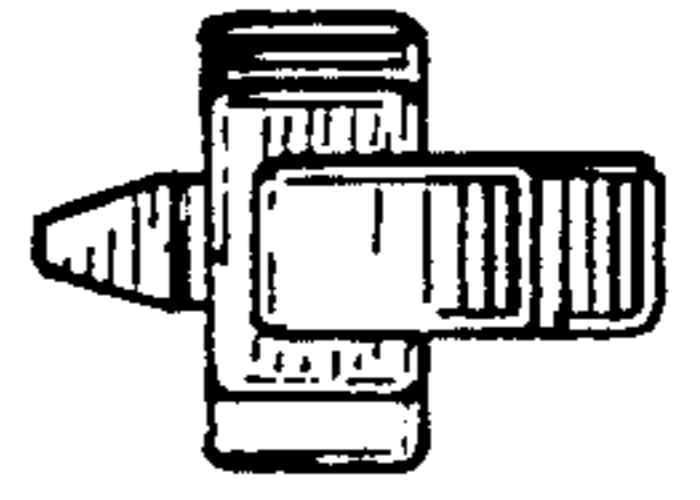


FIG. 6

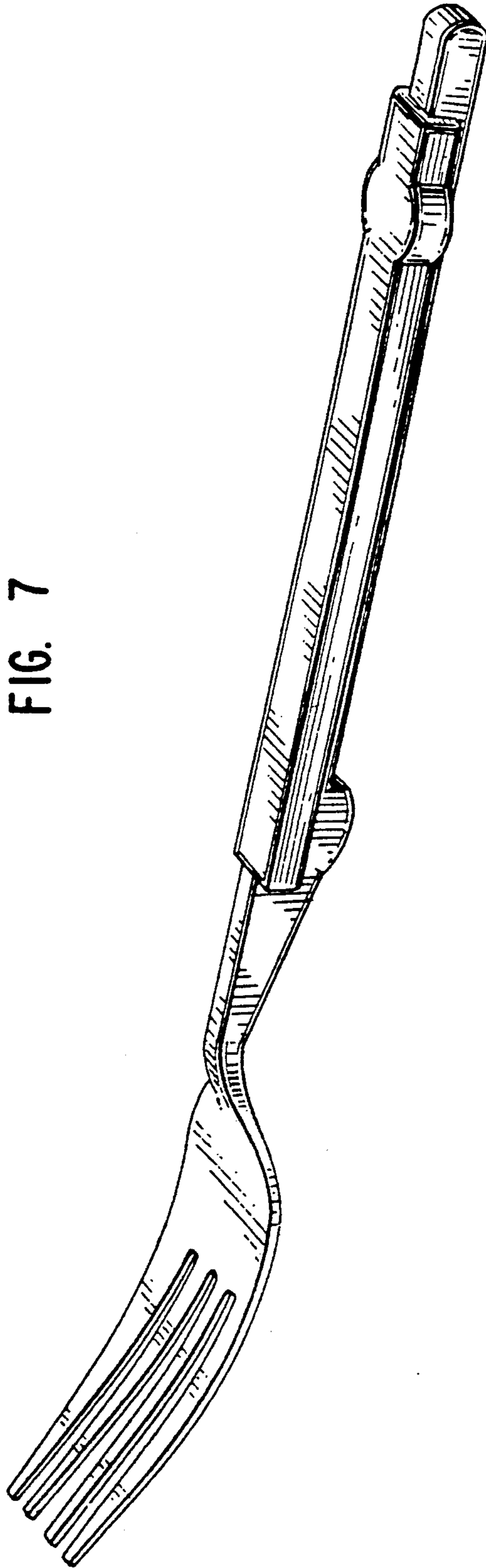


FIG. 7

FIG. 8

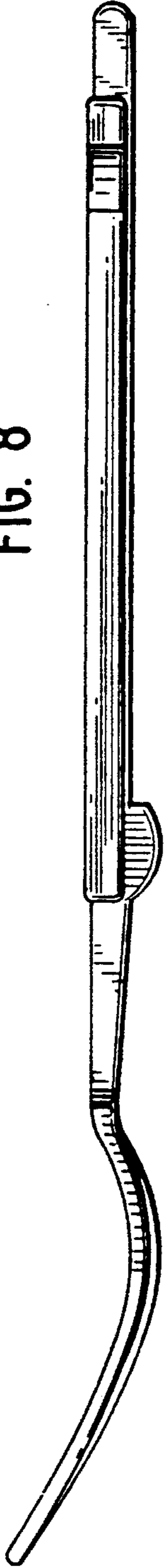


FIG. 9

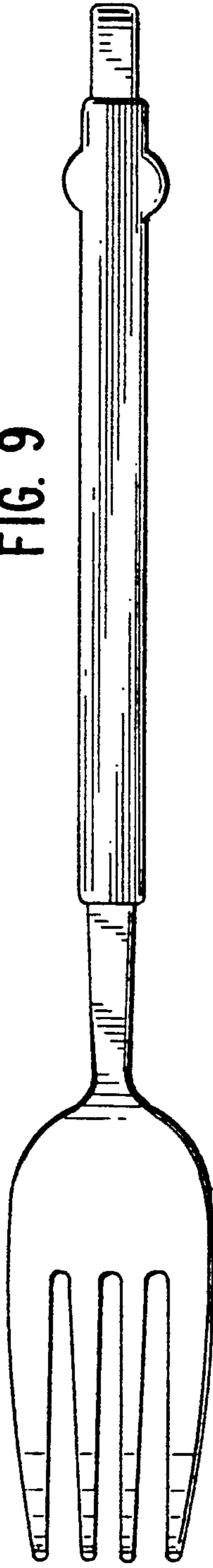


FIG. 10

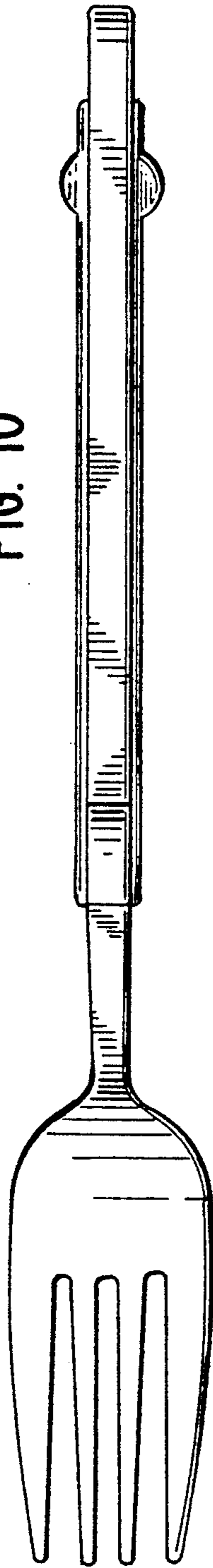


FIG. 11

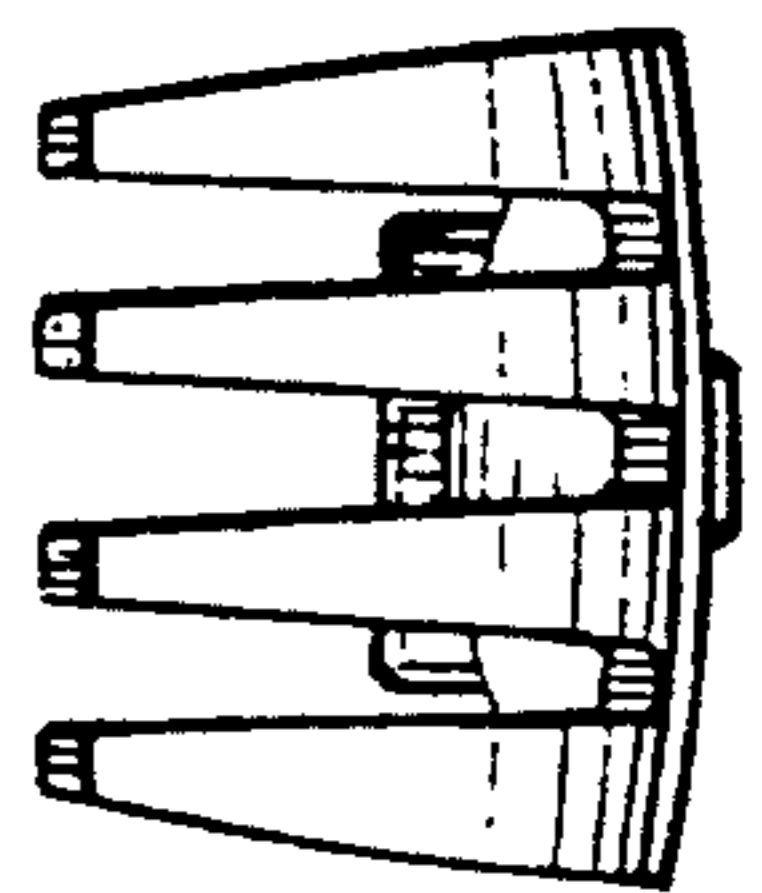


FIG. 12

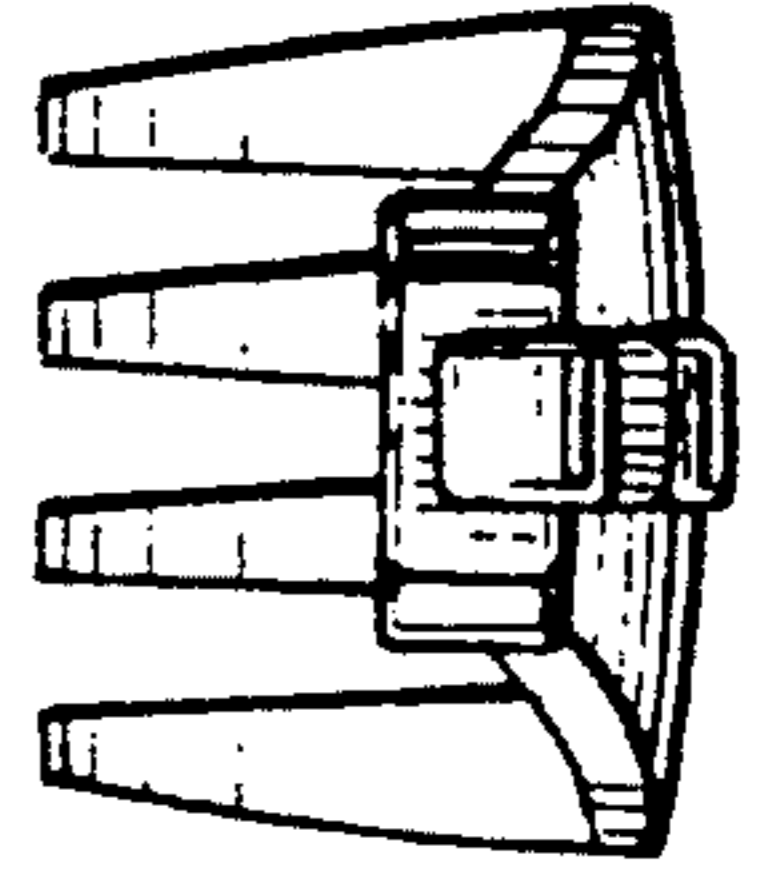


FIG. 13

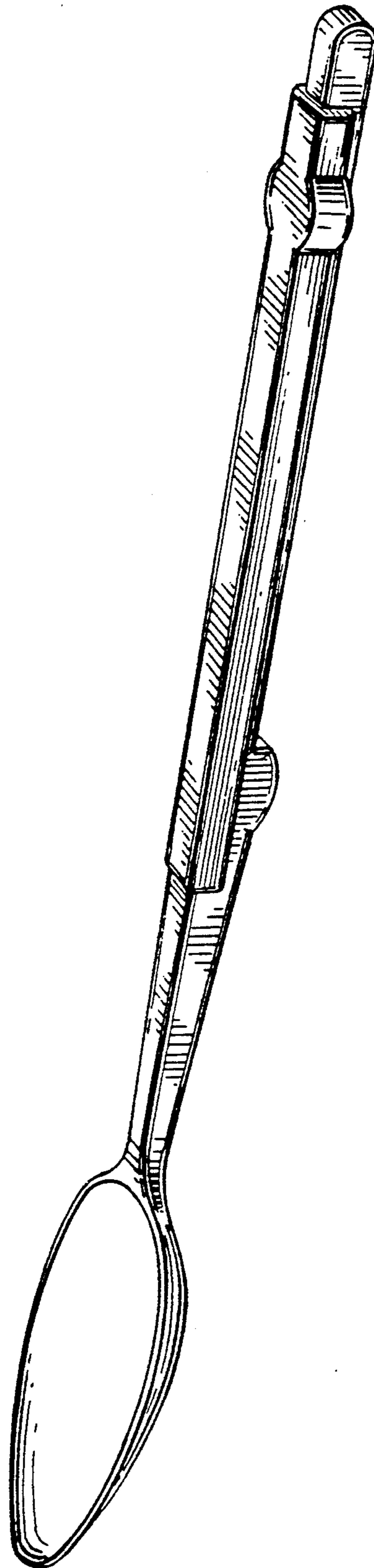


FIG. 14

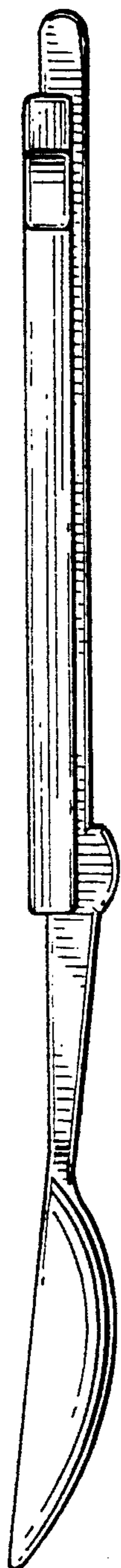


FIG. 15

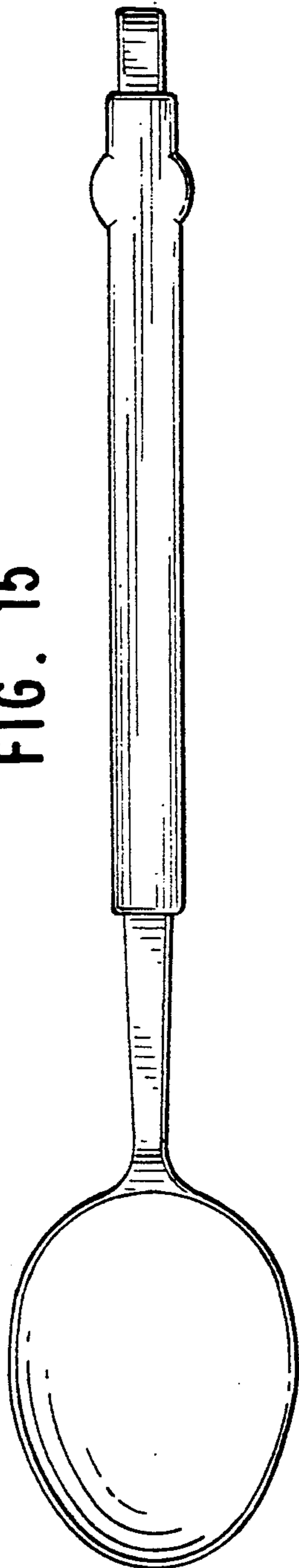


FIG. 16

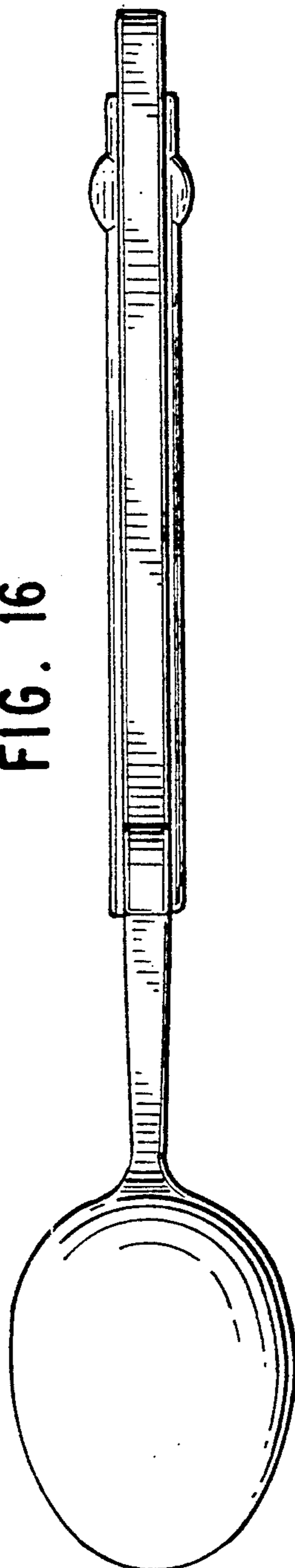


FIG. 17



FIG. 18

