



US00D346717S

United States Patent [19]
Geiger

[11] **Patent Number: Des. 346,717**
[45] **Date of Patent: ** May 10, 1994**

[54] **COFFEE MAKING APPLIANCE**

[56] **References Cited**

U.S. PATENT DOCUMENTS

[75] **Inventor: Rudolf Geiger, Lauterstein, Fed. Rep. of Germany**

[73] **Assignee: WMF Wuerttembergische Metallwarenfabrik Aktiengesellschaft, Geislingen, Fed. Rep. of Germany**

D. 208,391 8/1967 Hausam D7/309
D. 298,400 11/1988 Frech D7/308
D. 298,401 11/1988 Frech D7/311 X
D. 298,505 11/1988 Frech D7/311 X
D. 309,847 8/1990 Frech D7/309 X
D. 332,199 1/1993 Pomeroy D7/308 X
D. 335,607 5/1993 Newman D7/300 X
4,917,005 4/1990 Knepler D7/309 X

Primary Examiner—Alan P. Douglas
Assistant Examiner—M. N. Pandozzi
Attorney, Agent, or Firm—Flynn, Thiel, Boutell & Tanis

[**] **Term: 14 Years**

[57] **CLAIM**

[21] **Appl. No.: 911,306**

The ornamental design for a coffee making appliance, as shown and described.

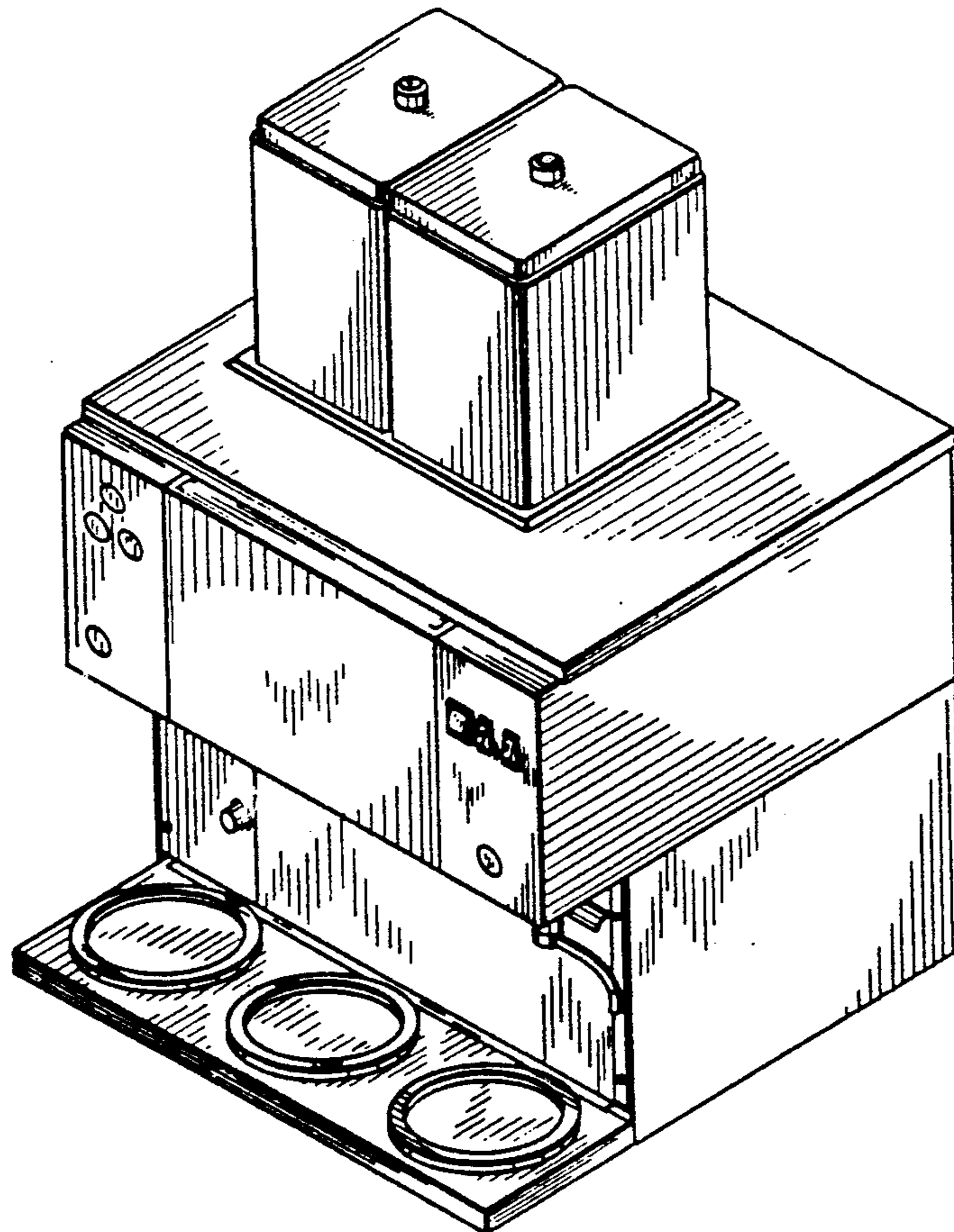
[22] **Filed: Jul. 9, 1992**

DESCRIPTION

[30] **Foreign Application Priority Data**

Mar. 31, 1992 [WO] World Int. Prop. O. ... DM/022 470
[52] **U.S. Cl. D7/309; D7/310; D7/311**
[58] **Field of Search D7/300, 305, 306, 308, D7/309, 310, 311, 313, 307; 99/279; D20/4, 5**

FIG. 1 is a top and right front perspective view of a coffee making appliance showing my new design;
FIG. 2 is a front view thereof;
FIG. 3 is a rear view thereof;
FIG. 4 is a left side view thereof;
FIG. 5 is a right side view thereof;
FIG. 6 is a top view thereof; and,
FIG. 7 is a bottom view thereof.



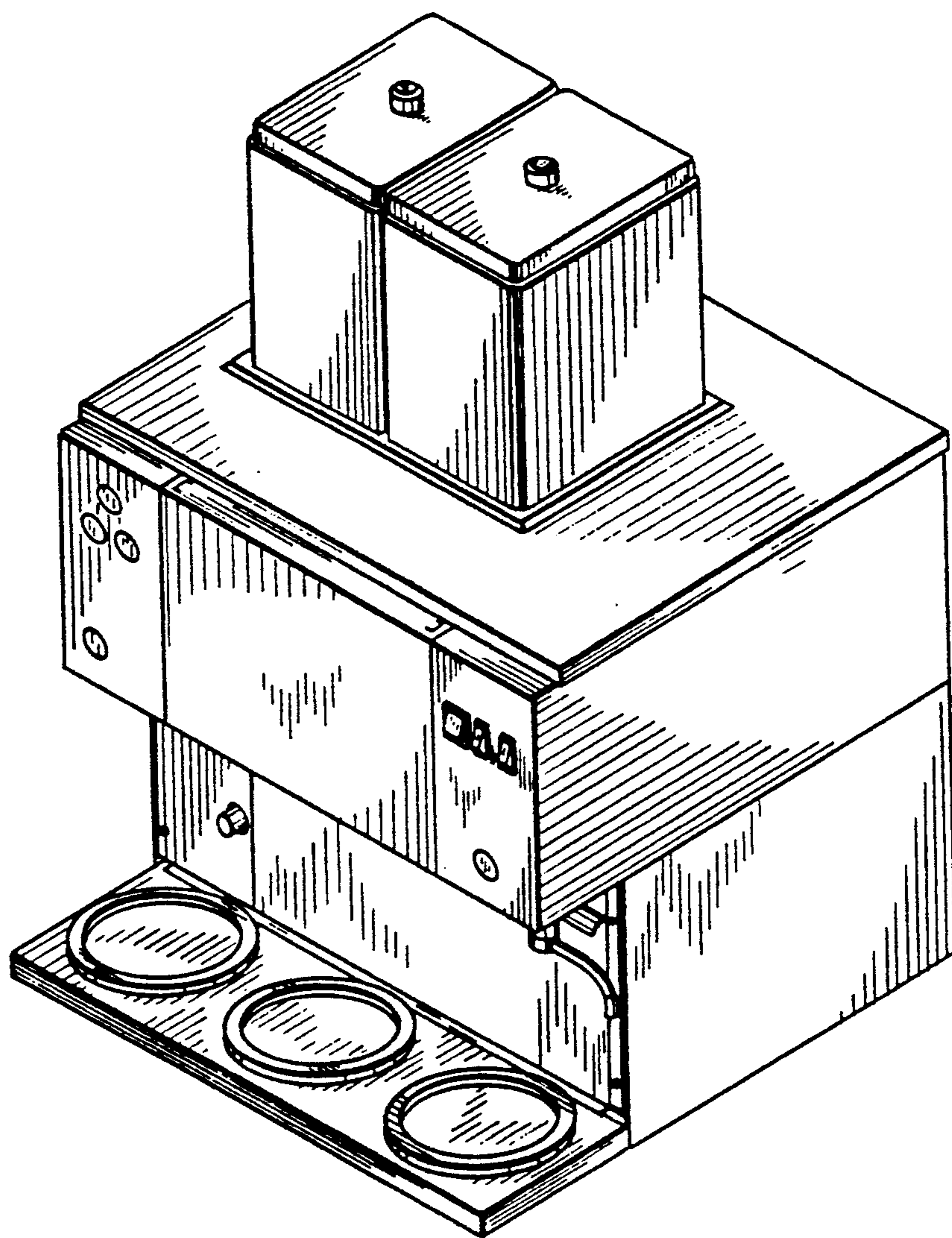


FIG. 1

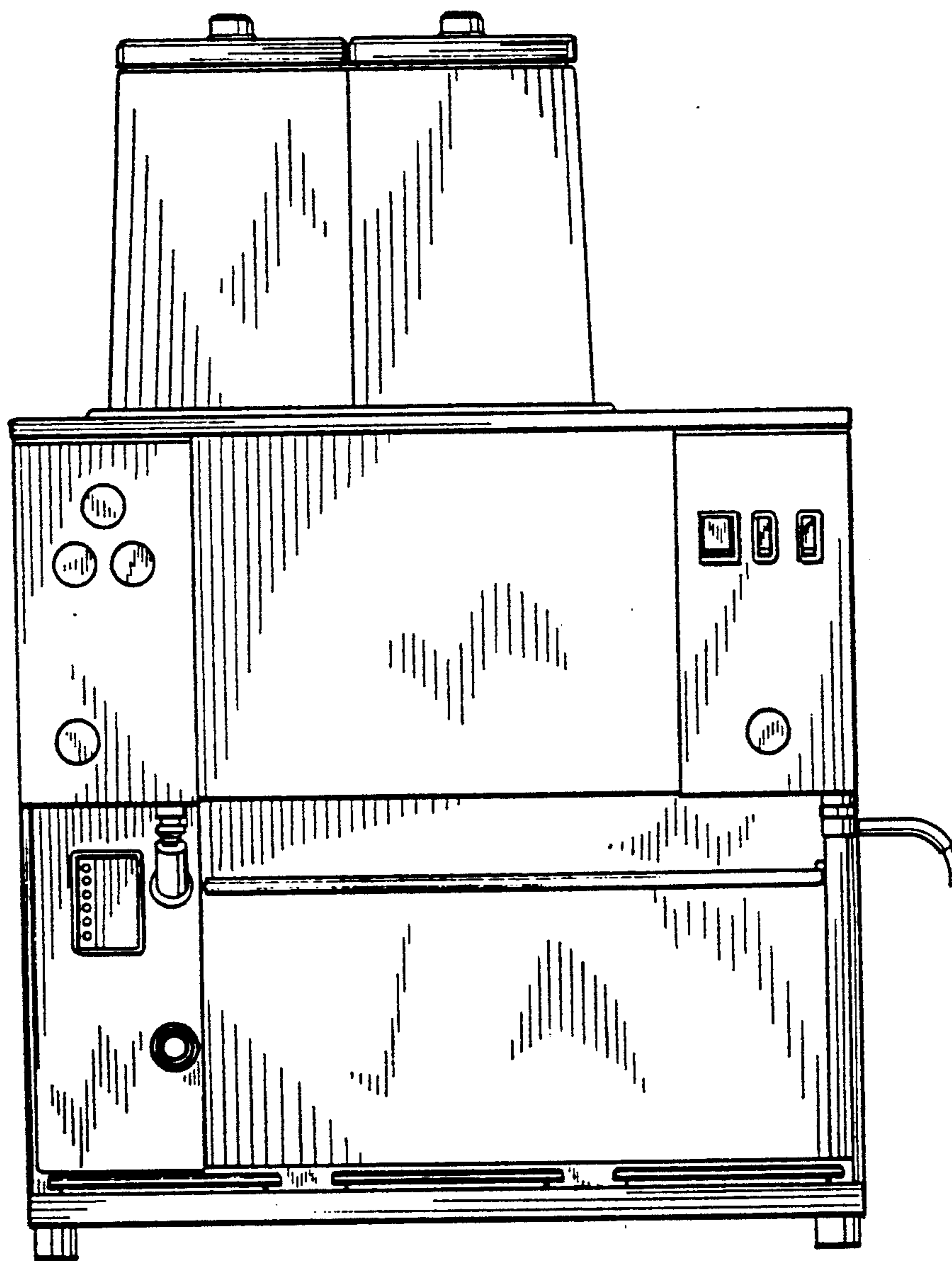


FIG. 2

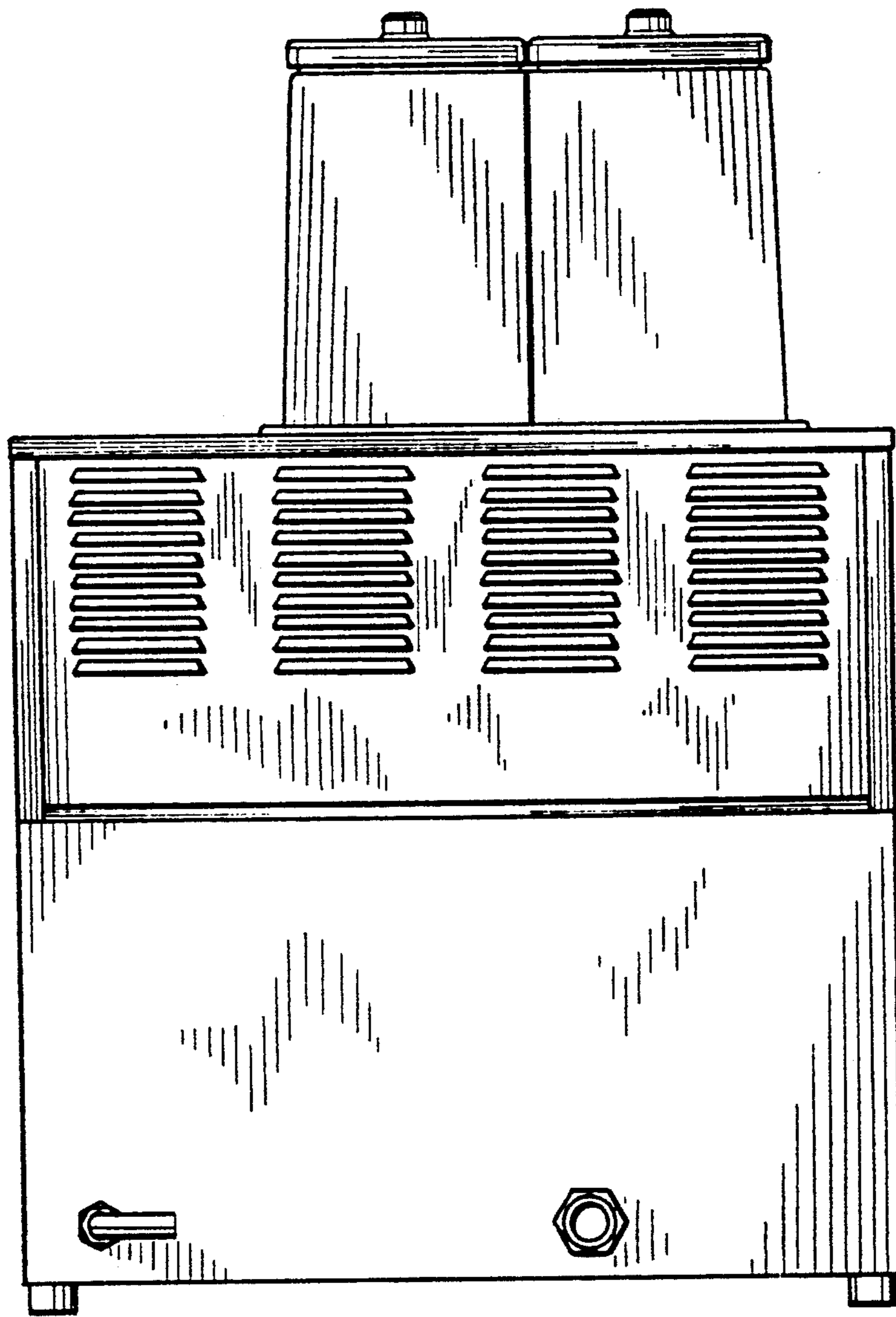


FIG. 3

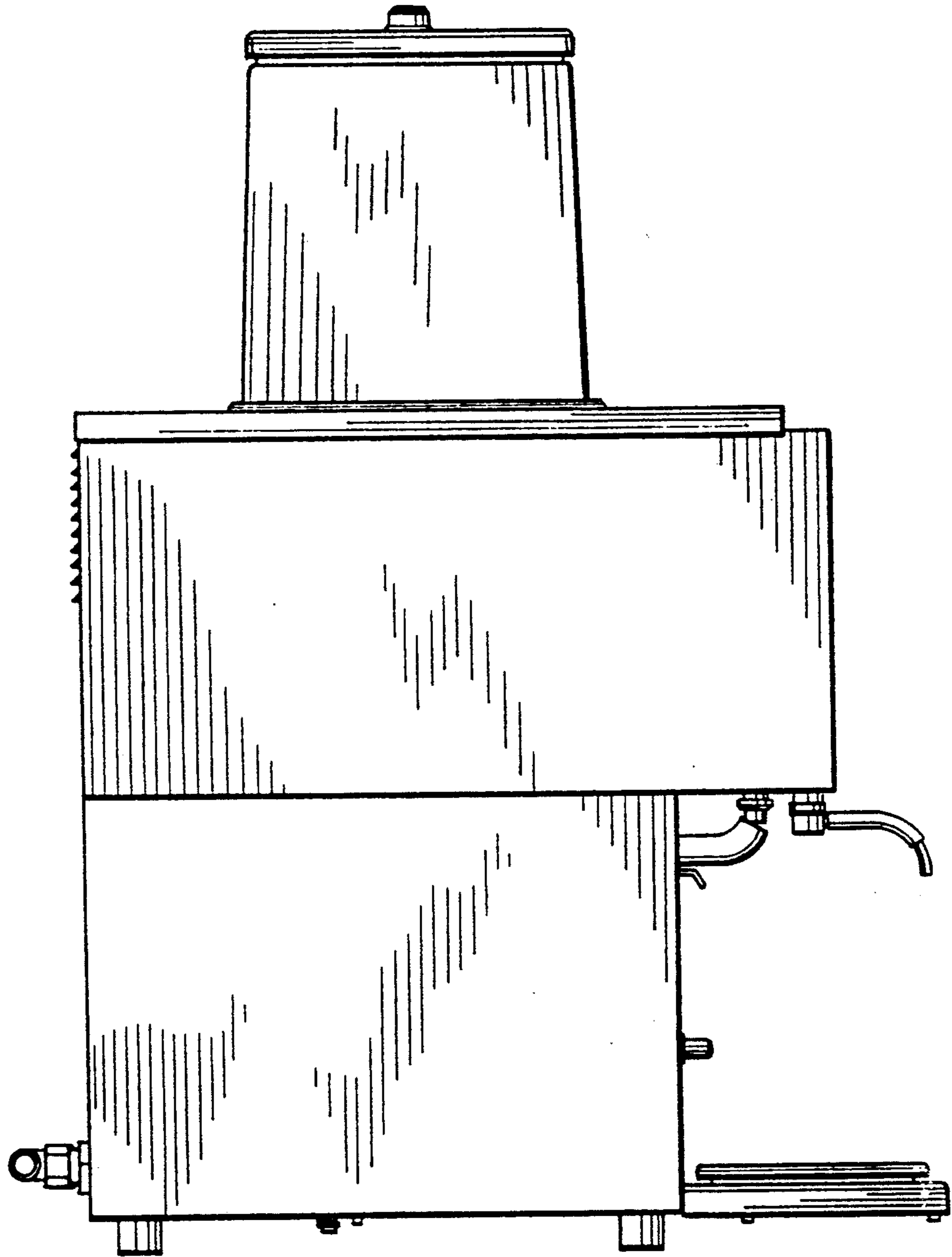


FIG. 4

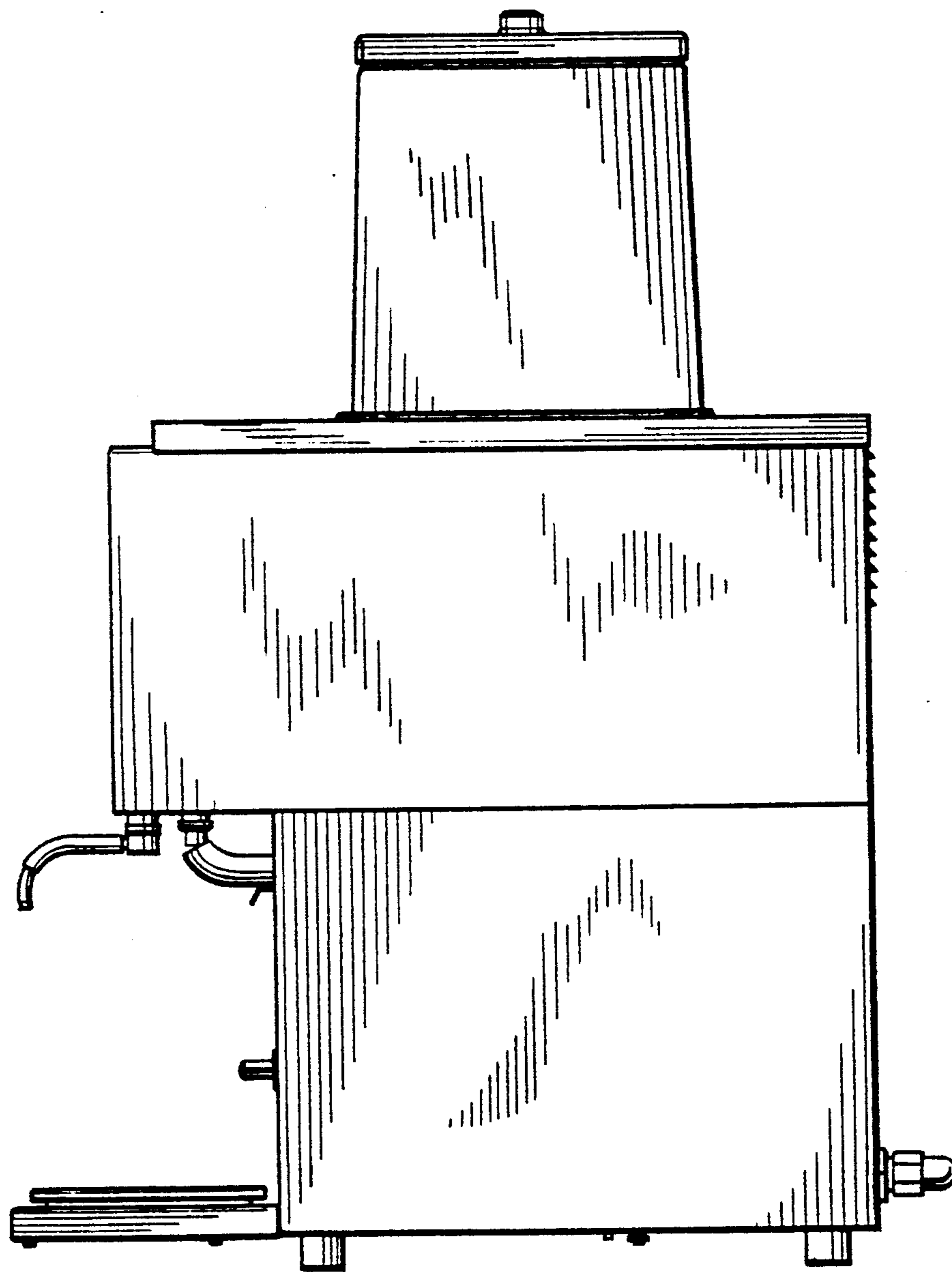


FIG. 5

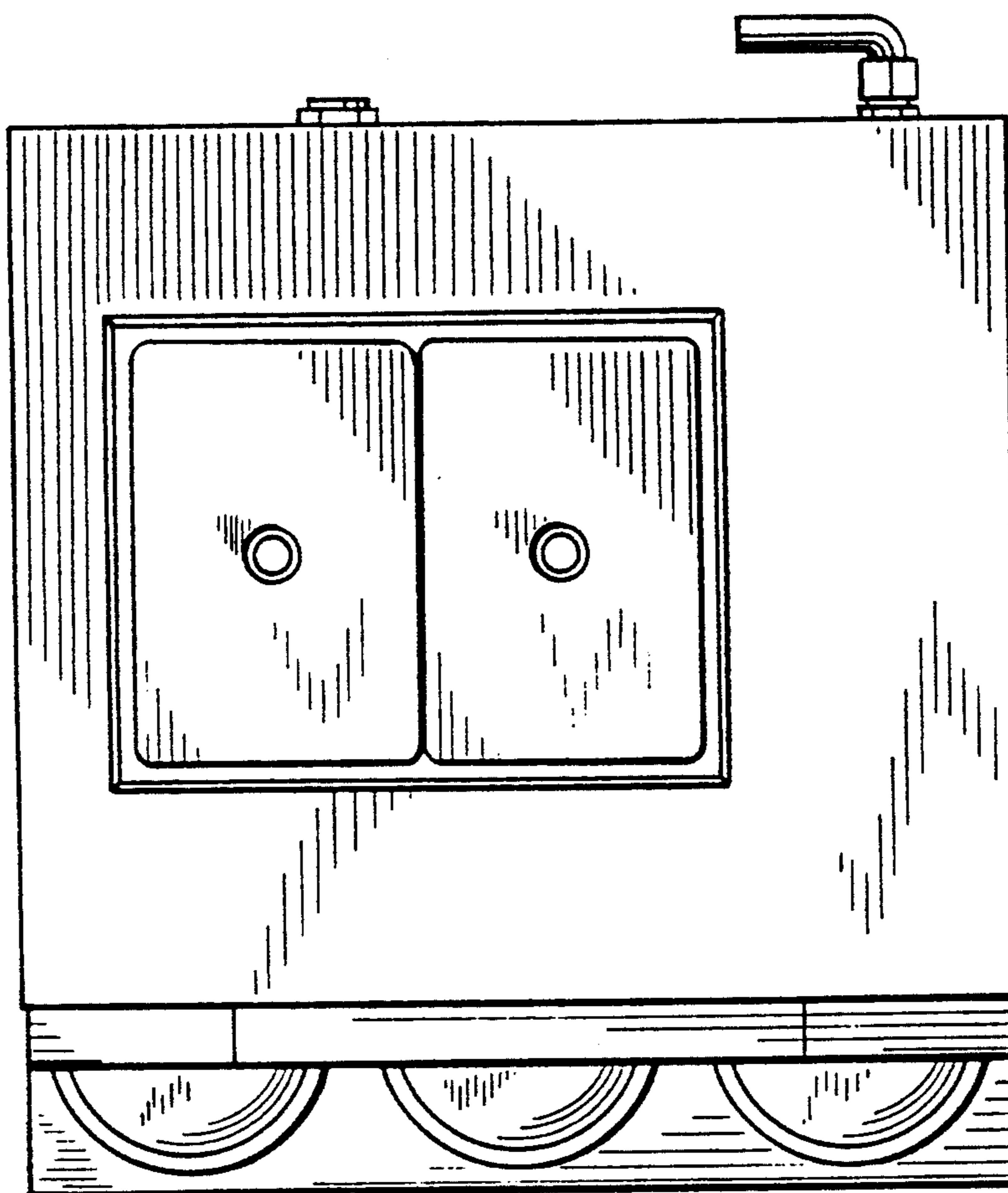


FIG. 6

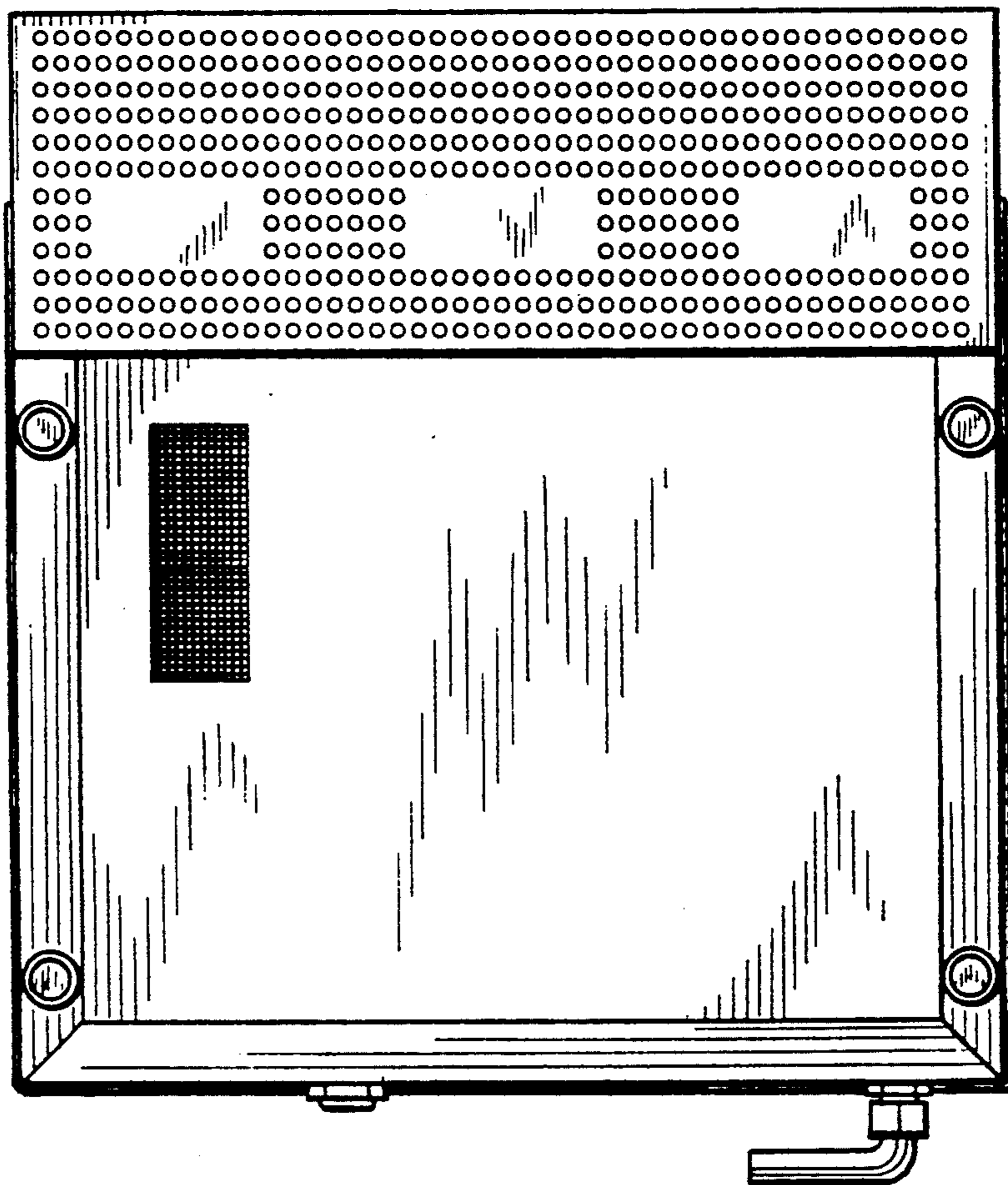


FIG. 7