



US00D346712S

United States Patent [19]

[11] Patent Number: **Des. 346,712**

Brunner et al.

[45] Date of Patent: **** May 10, 1994**

[54] **DRESSER**

[75] Inventors: **Merlin A. Brunner**, Appleton;
Harvey J. Draheim, Weyauwega,
both of Wis.

[73] Assignee: **Simmons Juvenile Products
Company, Inc.**, New London, Wis.

[**] Term: **14 Years**

[21] Appl. No.: **925,591**

[22] Filed: **Aug. 4, 1992**

[52] U.S. Cl. **D6/446; D6/441**

[58] Field of Search **D6/432-448;**
312/204, 257, 224-226, 297

[56] **References Cited**

U.S. PATENT DOCUMENTS

D. 98,636	2/1936	Wright	D6/446
D. 105,874	8/1937	Jiranek	D6/441
D. 129,482	9/1941	Jiranek	D6/441
D. 159,488	8/1950	Jiranek	D6/446
D. 222,080	9/1971	Carlson	D6/446

D. 274,963	8/1984	Brunner et al.	D6/446
D. 305,708	1/1990	Newhouse	D6/446
D. 340,820	11/1993	Frisher	D6/441

Primary Examiner—Carmen H. Vales-Lado
Attorney, Agent, or Firm—Hoffmann & Baron

[57] CLAIM

The ornamental design for a dresser, as shown and described.

DESCRIPTION

FIG. 1 is a front perspective view of a dresser showing our new design;
 FIG. 2 is a side elevational view thereof, the opposite side being a mirror image thereof;
 FIG. 3 is a top plan view thereof;
 FIG. 4 is a front elevational view thereof;
 FIG. 5 is a rear elevational view thereof;
 FIG. 6 is a bottom plan view thereof;
 FIG. 7 is an enlarged sectional view taken through line 7—7 of FIG. 4; and,
 FIG. 8 is an enlarged sectional view taken through line 8—8 of FIG. 4.

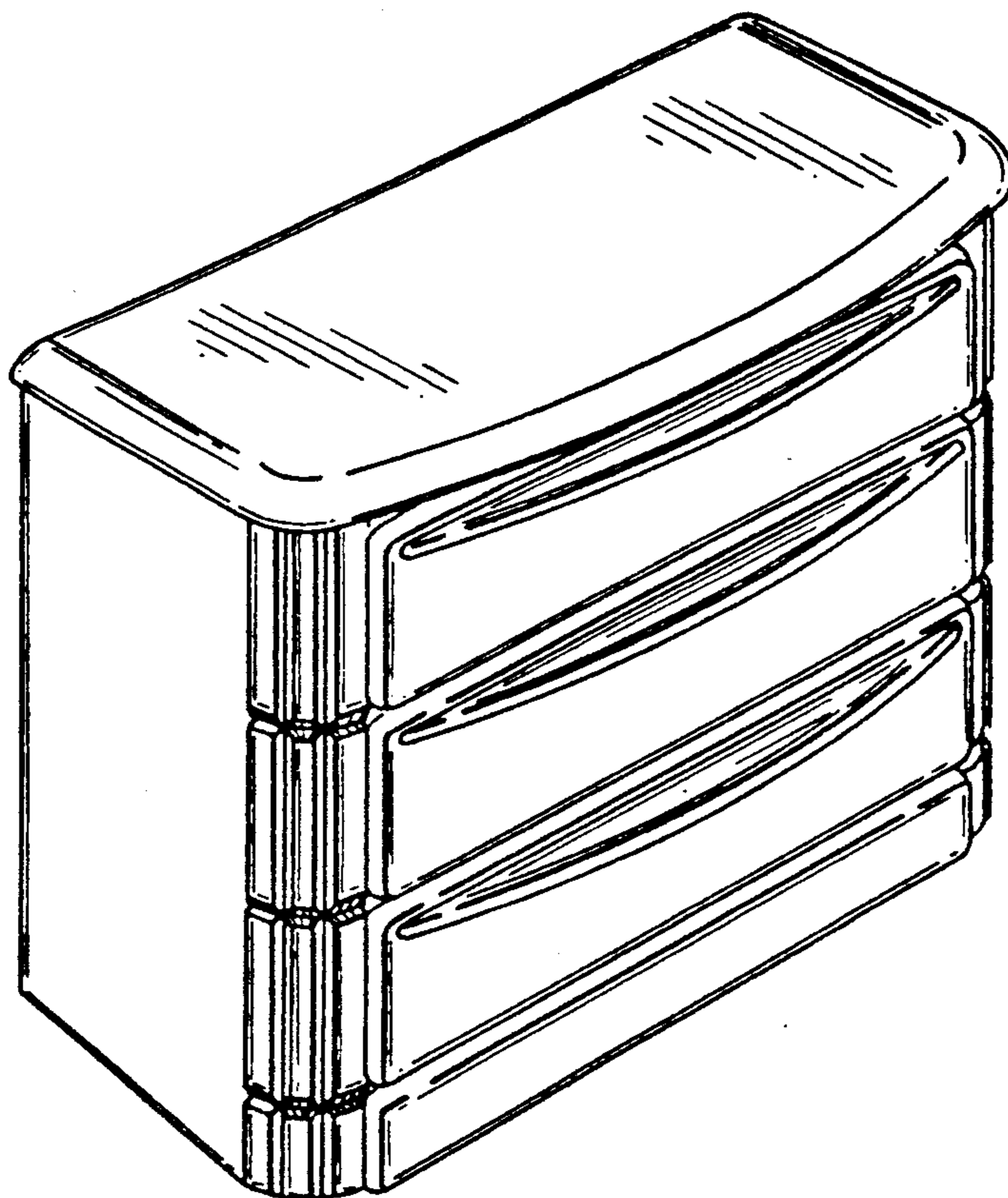


FIG-1

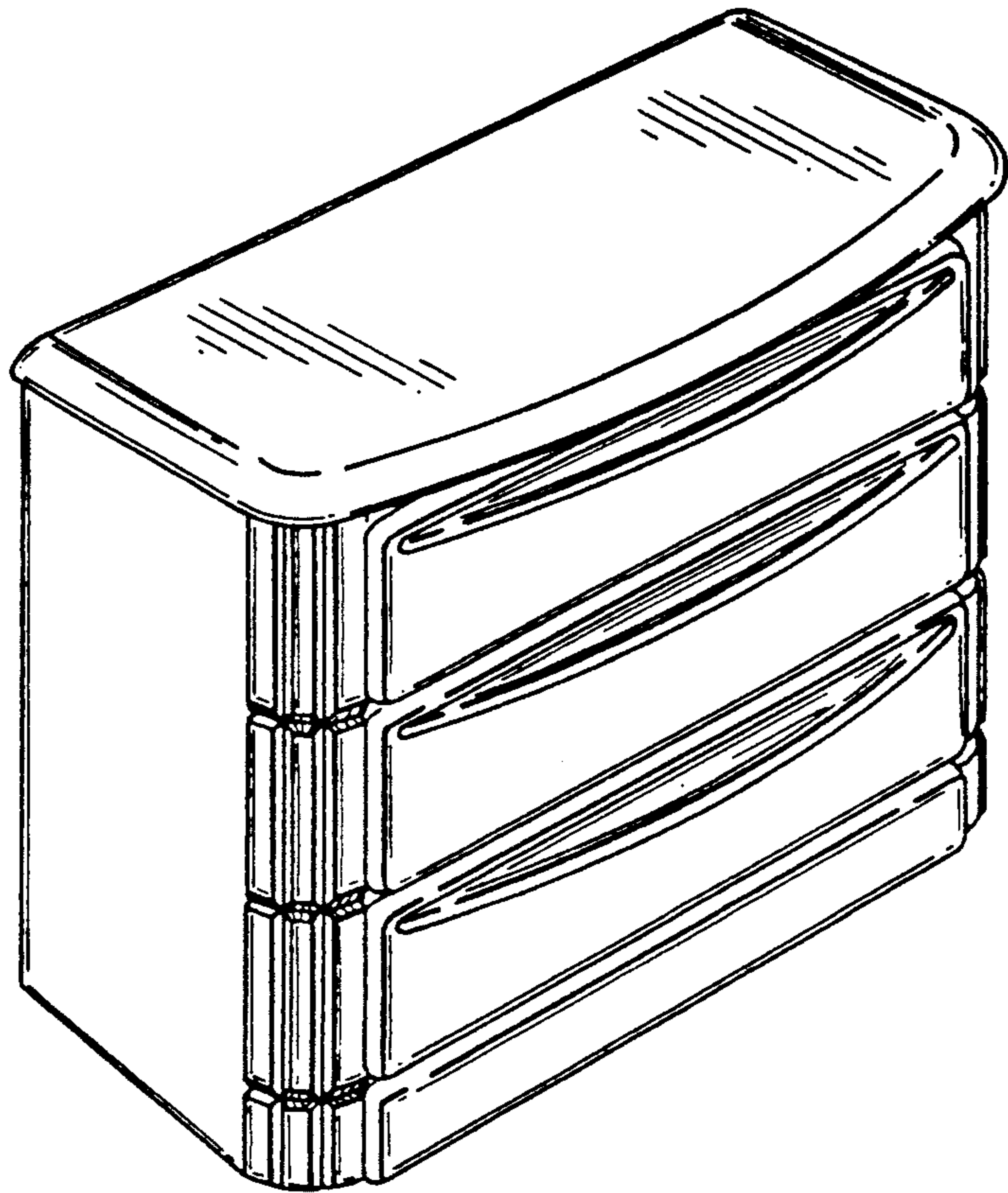


FIG-2

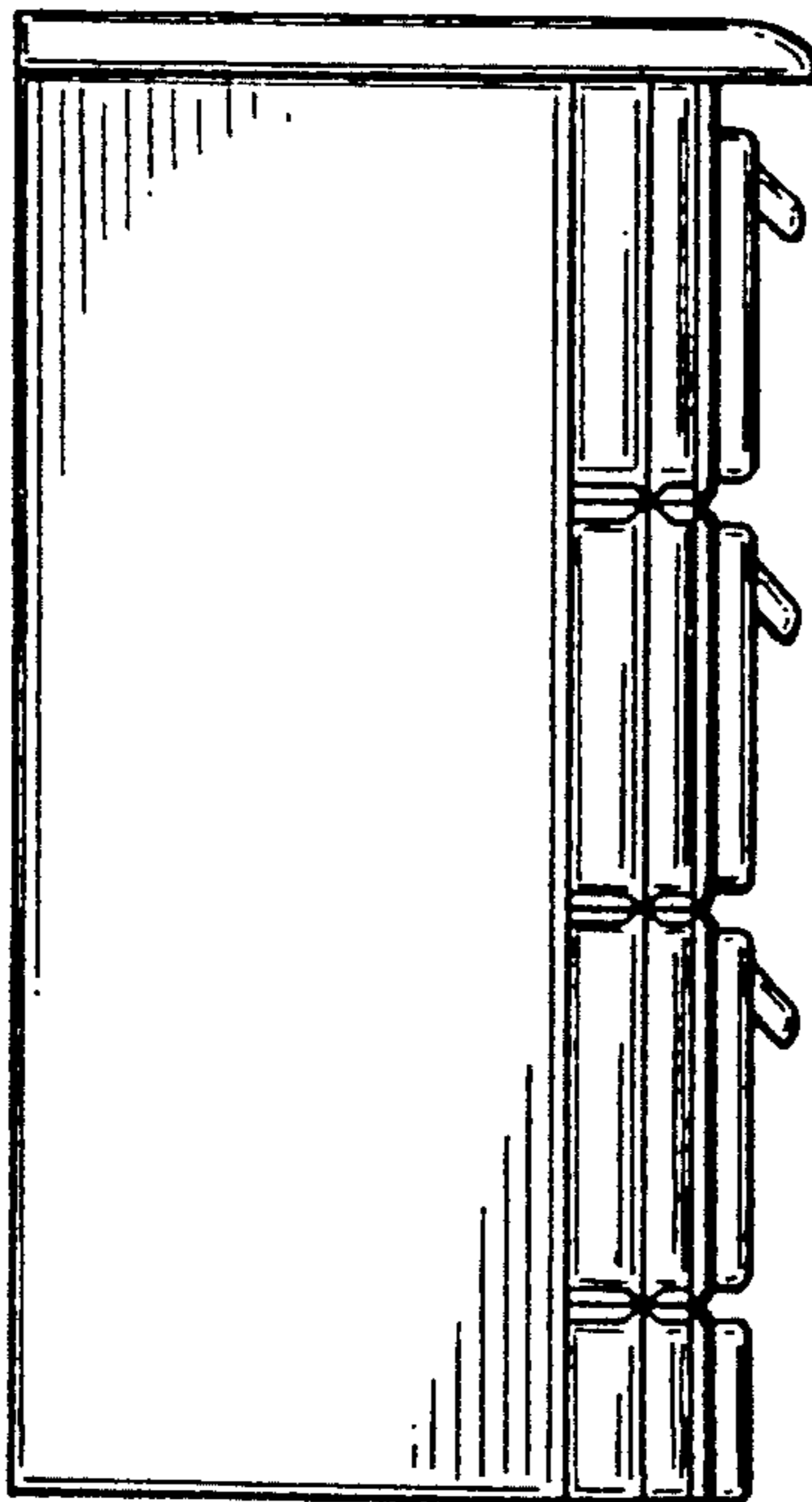


FIG-3

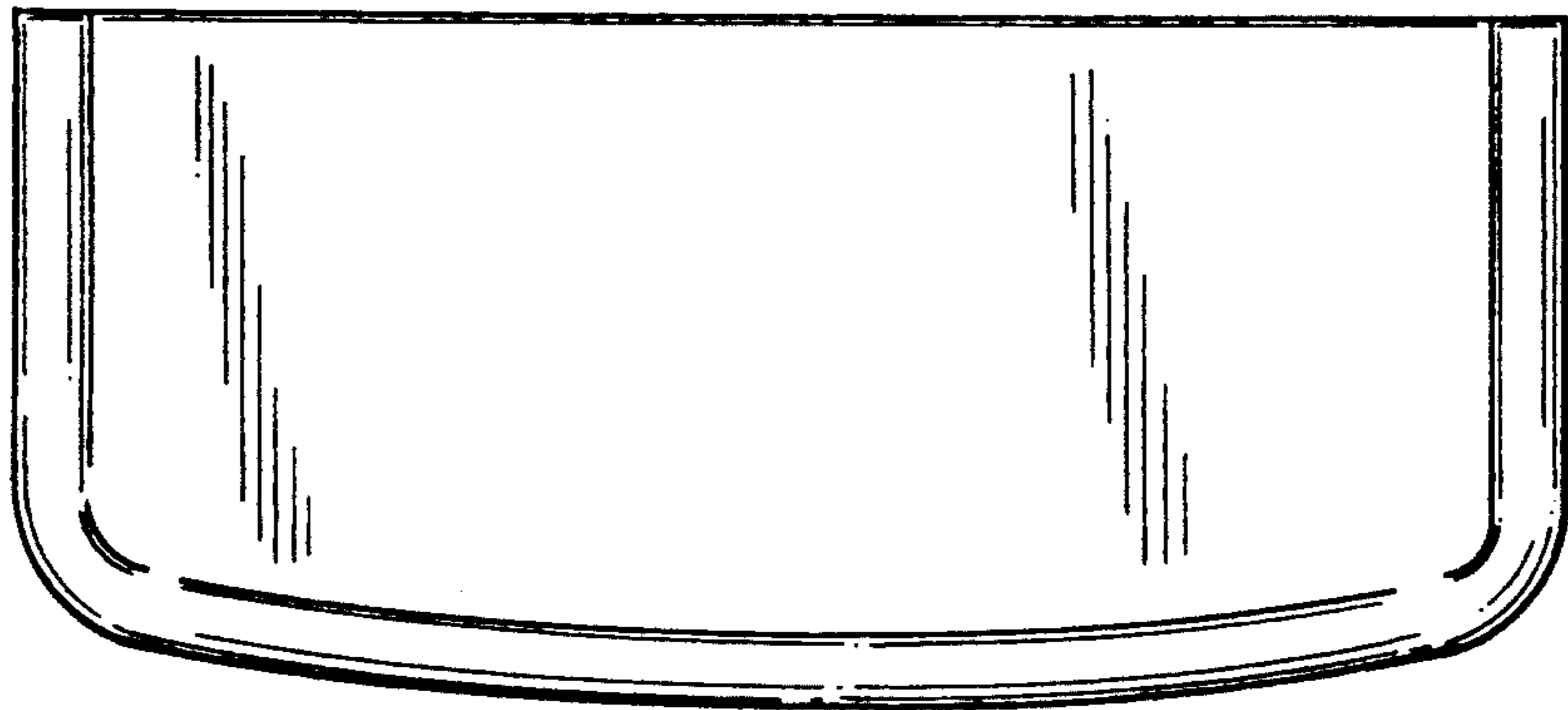


FIG-4

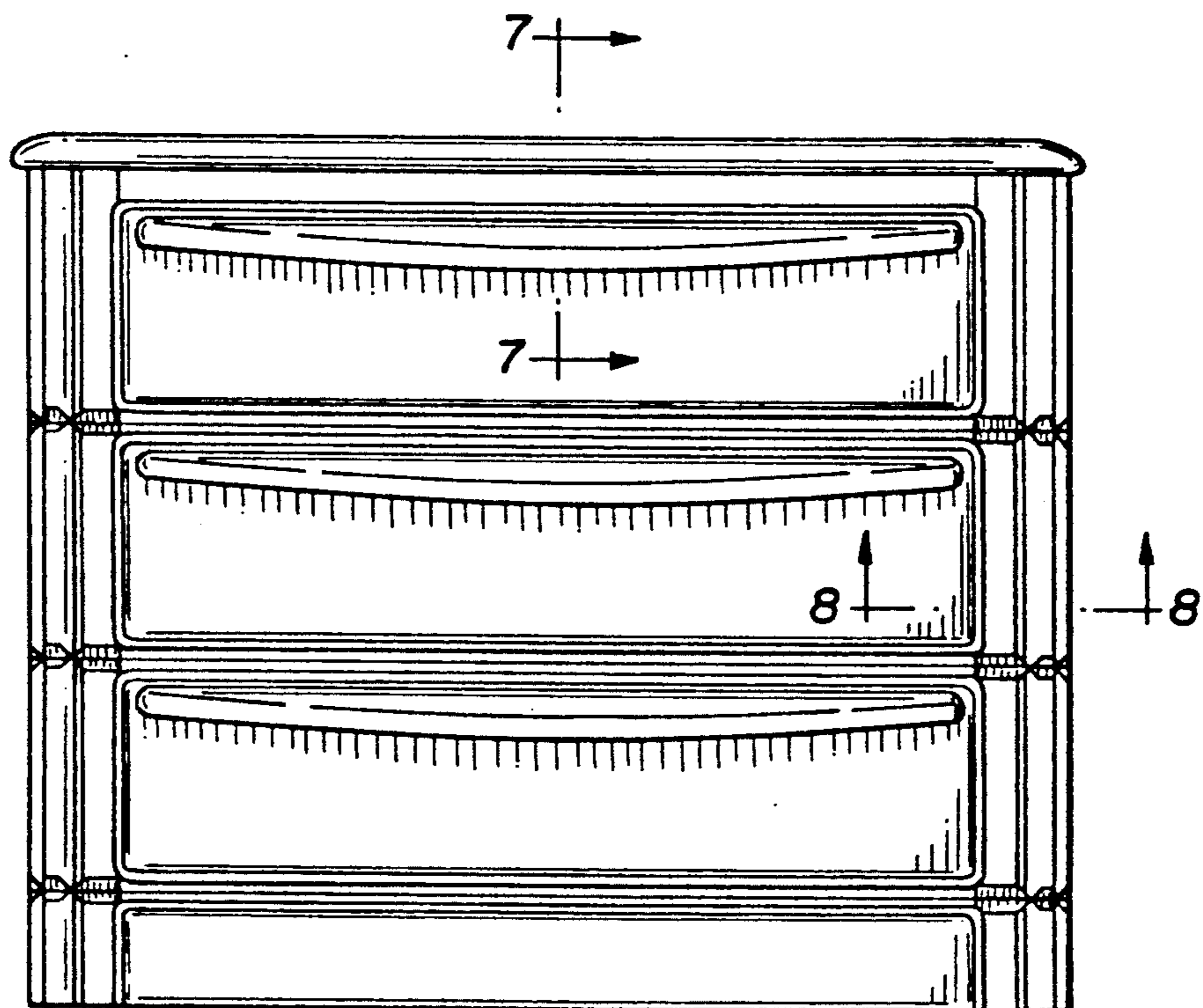


FIG-5

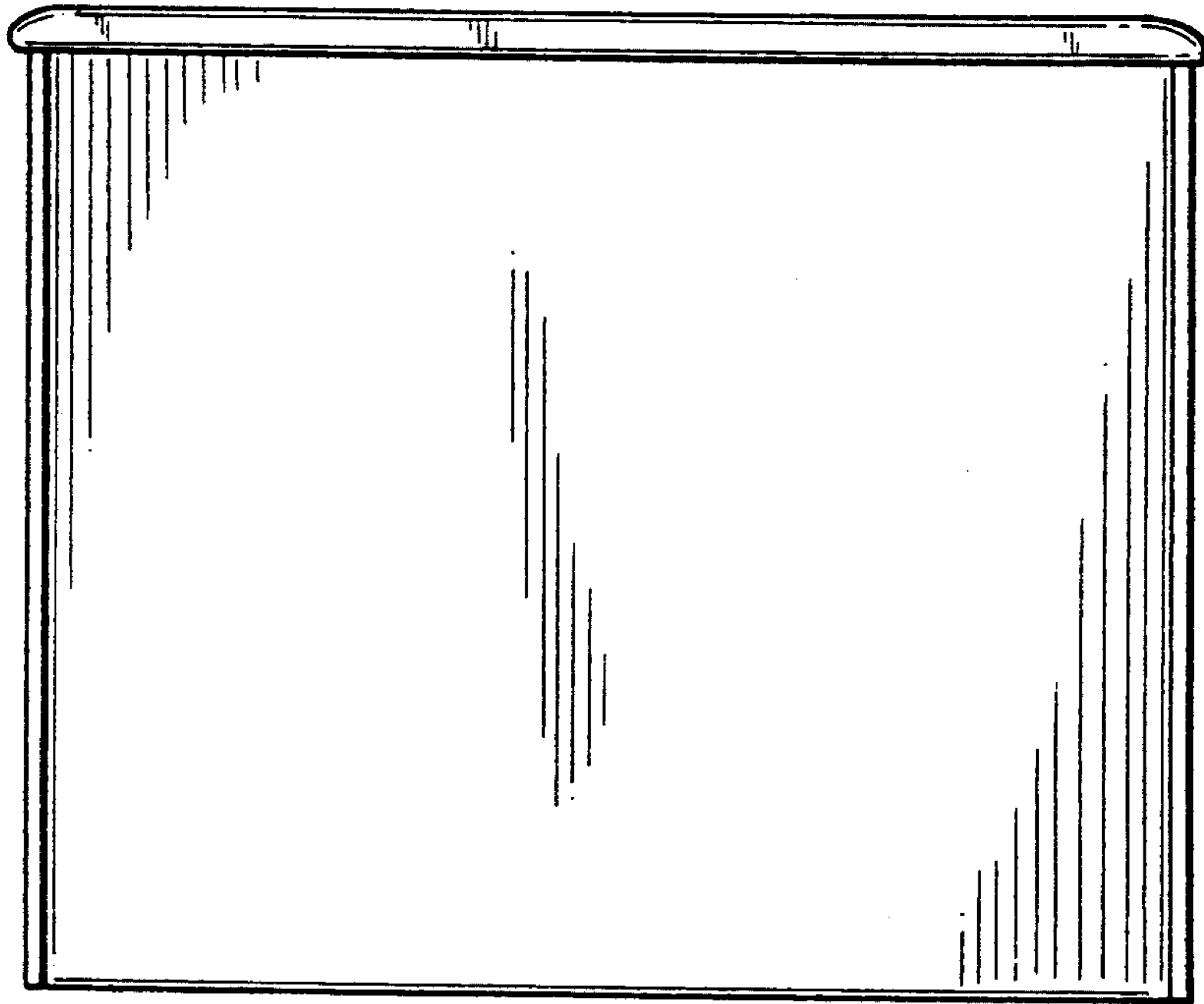


FIG-6

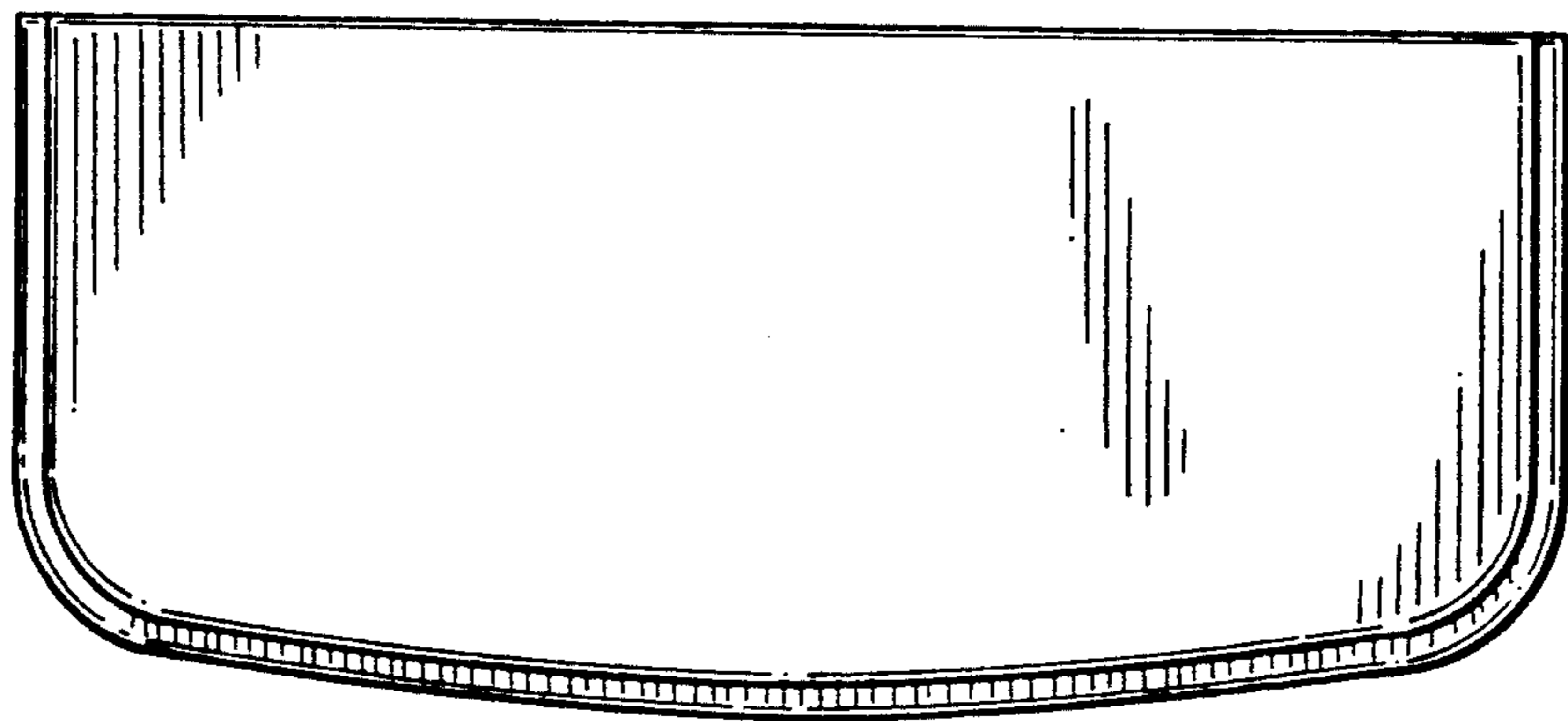


FIG-7

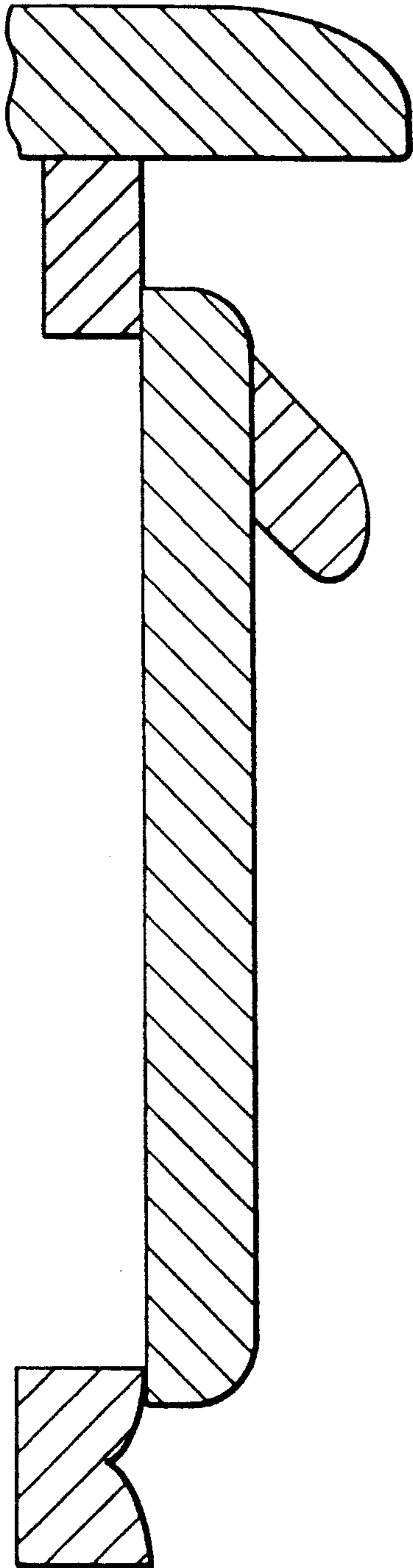


FIG-8

