



US00D346709S

United States Patent [19]

[11] Patent Number: **Des. 346,709**

Nagao

[45] Date of Patent: **** May 10, 1994**

[54] **WORK BENCH**

[75] Inventor: **Tokihiko. Nagao, Osakan, Japan**

[73] Assignee: **Vertex Services, Ltd., Hong Kong**

[**] Term: **14 Years**

[21] Appl. No.: **820,961**

[22] Filed: **Jan. 15, 1992**

[52] U.S. Cl. **D6/400**

[58] Field of Search **D6/400; 144/285, 286 R, 144/287, 286 A; 269/16, 901, 212**

[56] **References Cited**

U.S. PATENT DOCUMENTS

- D. 237,930 12/1975 Demmer D6/400
- D. 273,739 5/1984 Shapiro D6/400
- D. 300,993 5/1989 Gautier D6/400

- 846,087 3/1907 Bradt 144/285
- 1,188,015 6/1916 Sawyer 144/287
- 2,587,177 2/1952 Larson 144/286 R
- 4,408,642 10/1983 Jeruzel et al. 144/286 A

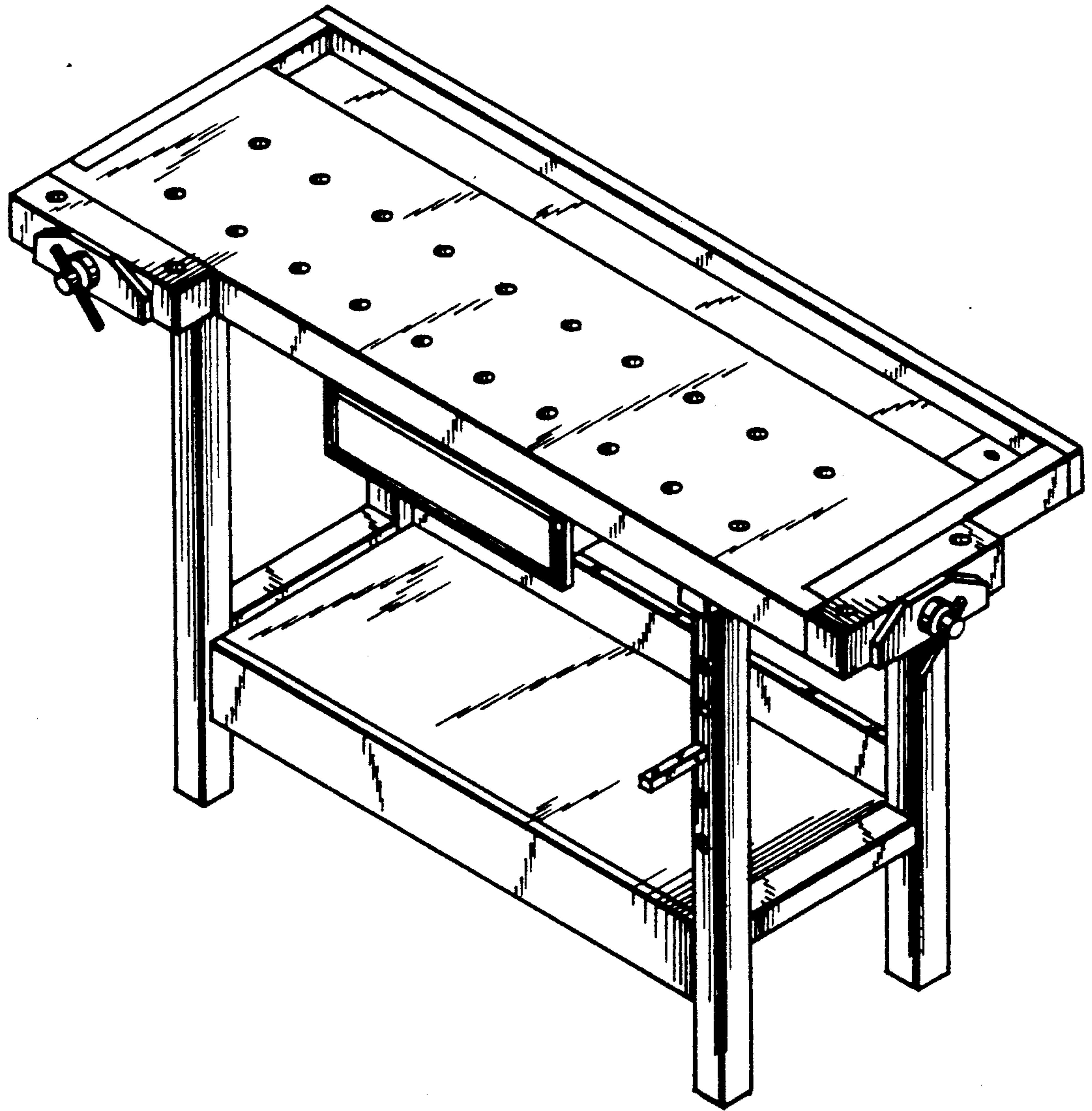
Primary Examiner—Carmen H. Vales-Lado
Attorney, Agent, or Firm—Rodman & Rodman

[57] **CLAIM**

The ornamental design for a work bench, as shown.

DESCRIPTION

FIG. 1 is a perspective view of a work bench showing my new design;
 FIG. 2 is a front elevational view thereof;
 FIG. 3 is a top plan view thereof;
 FIG. 4 is a rear elevational view thereof;
 FIG. 5 is a bottom plan view thereof;
 FIG. 6 is a right side elevational view thereof; and,
 FIG. 7 is a left side elevational view thereof.



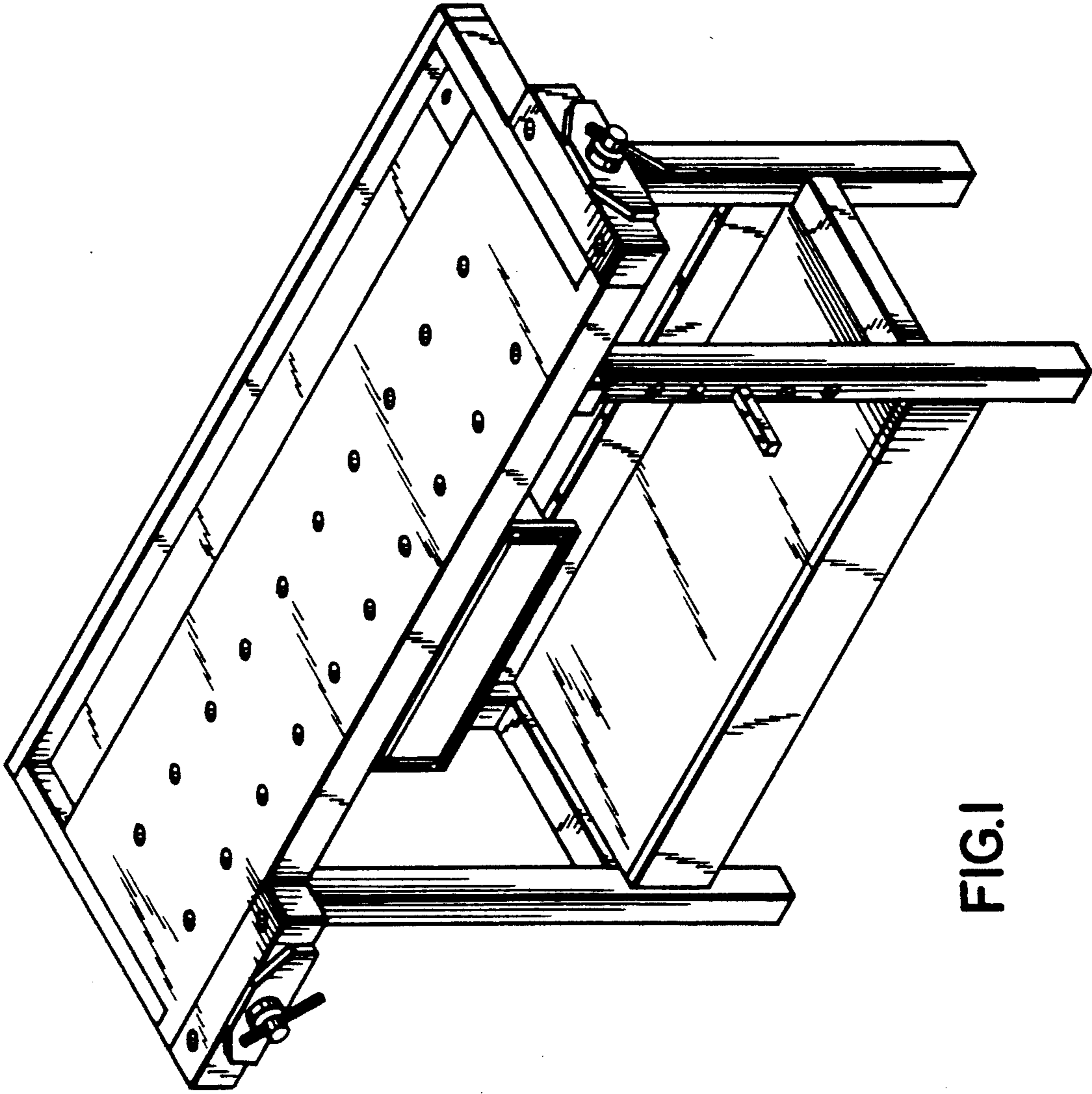


FIG.1

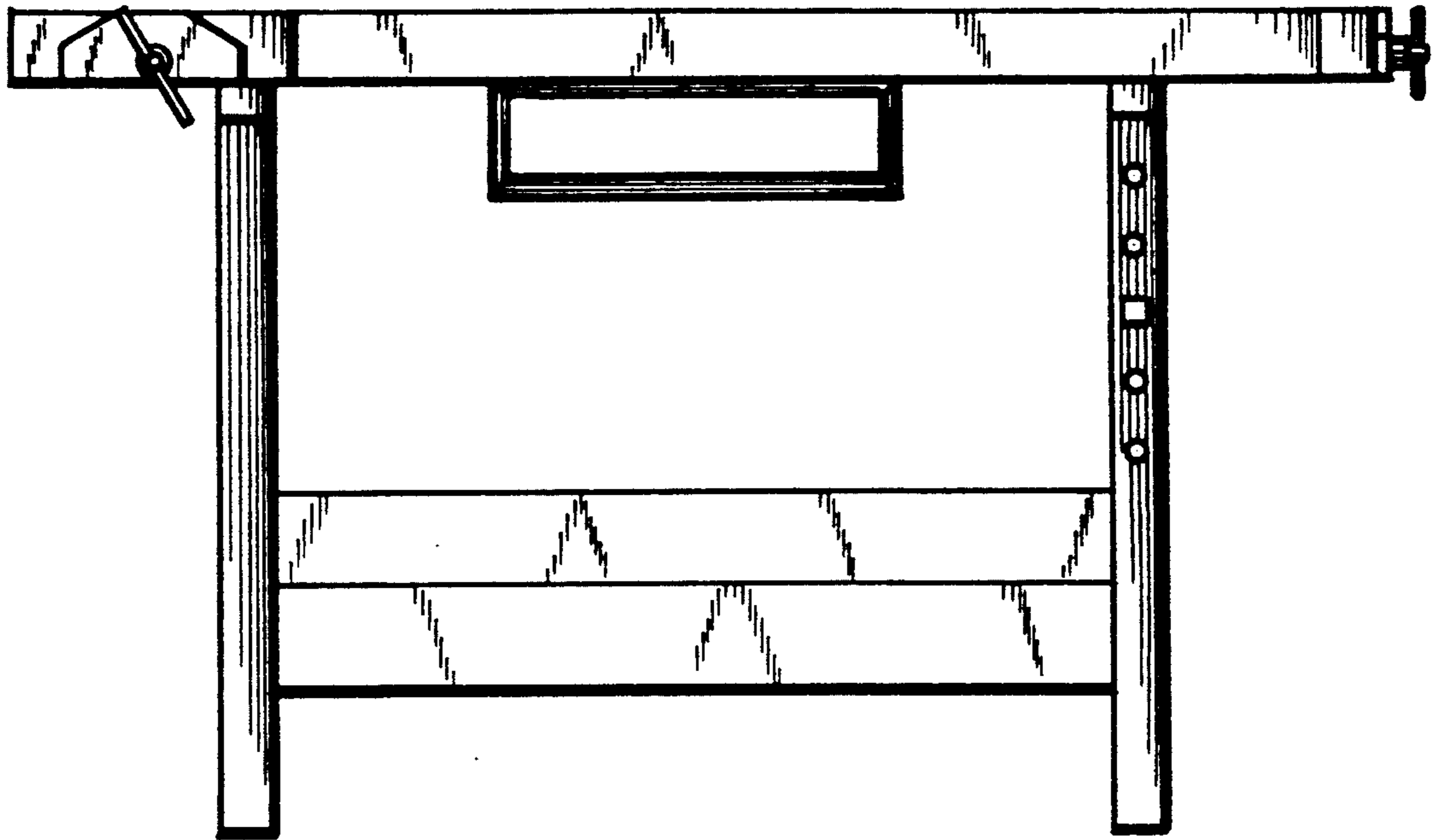


FIG. 2

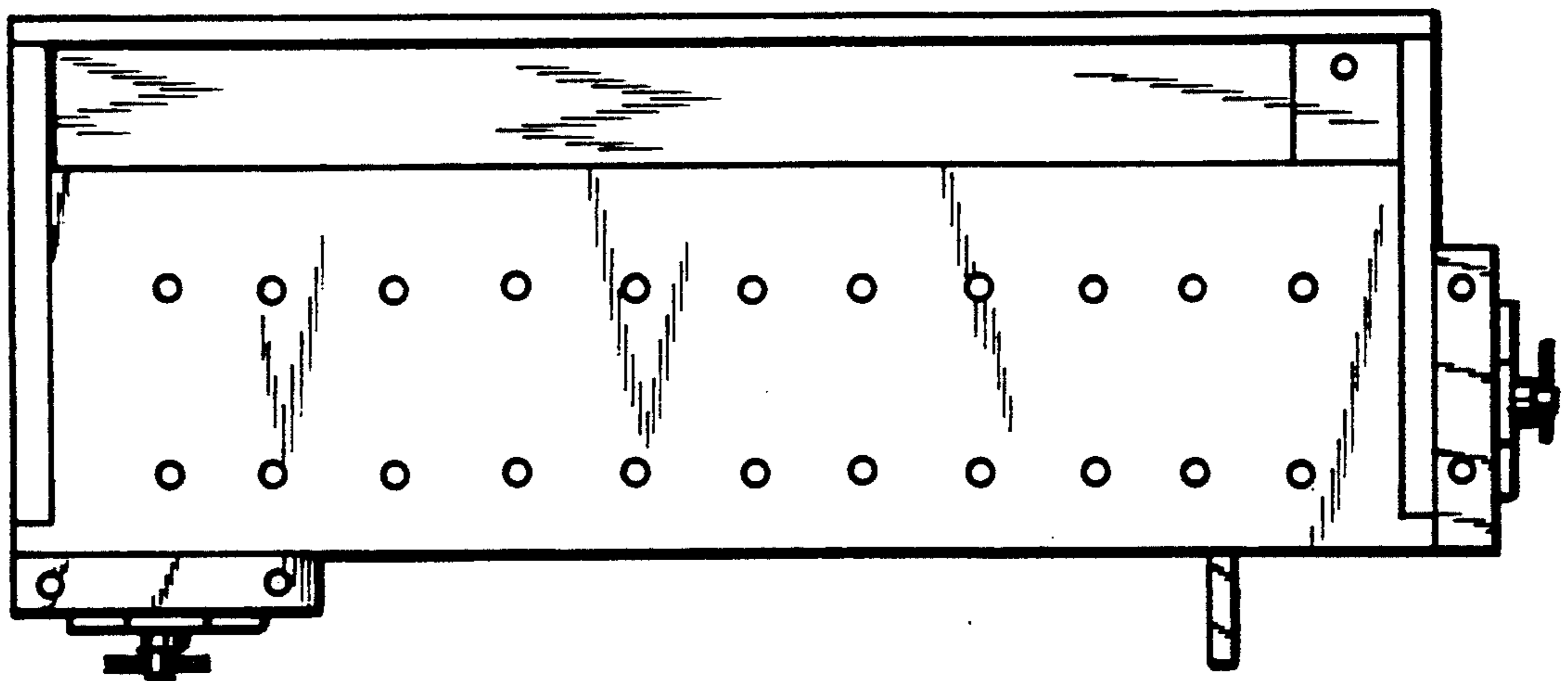


FIG. 3

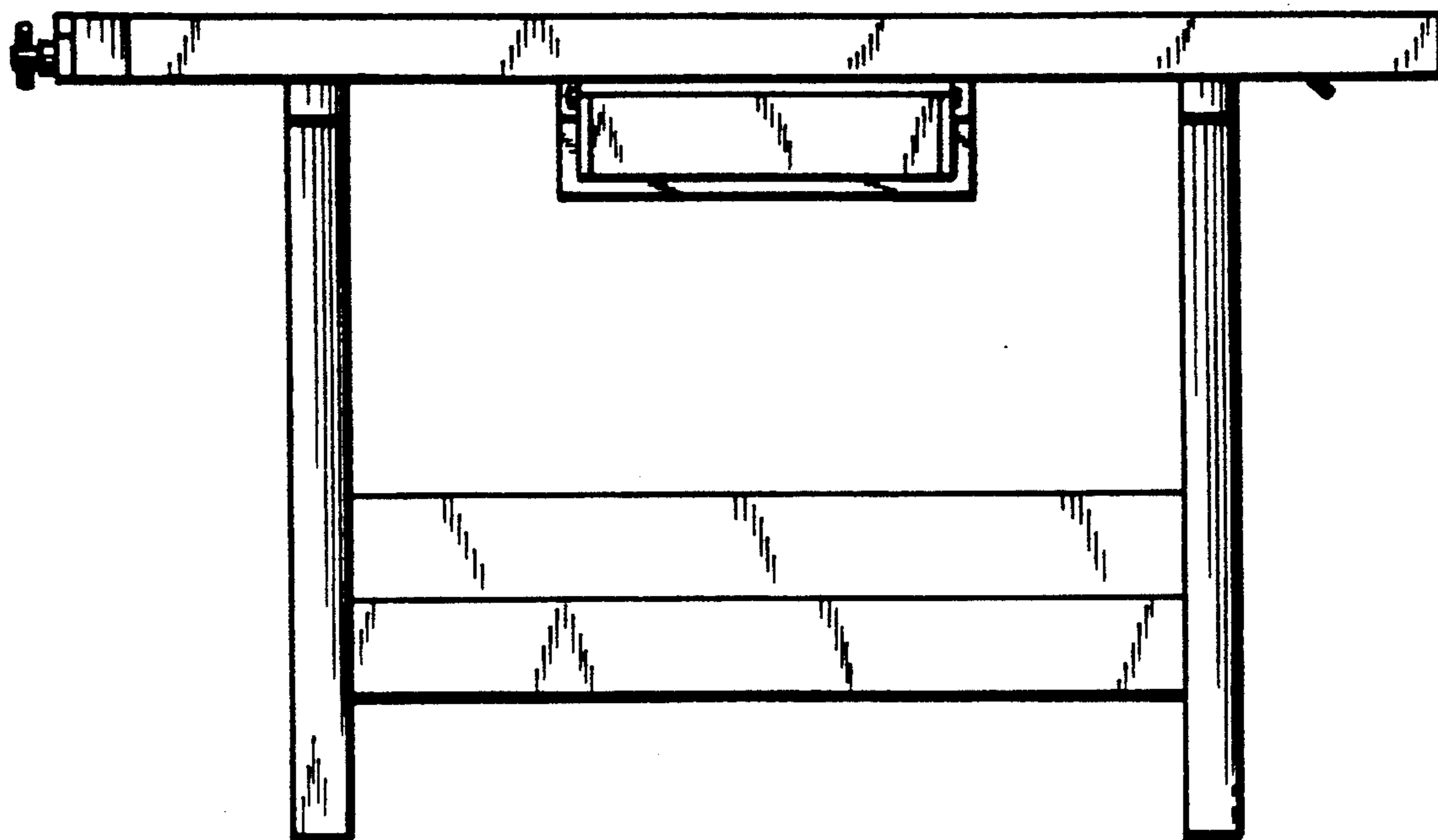


FIG. 4

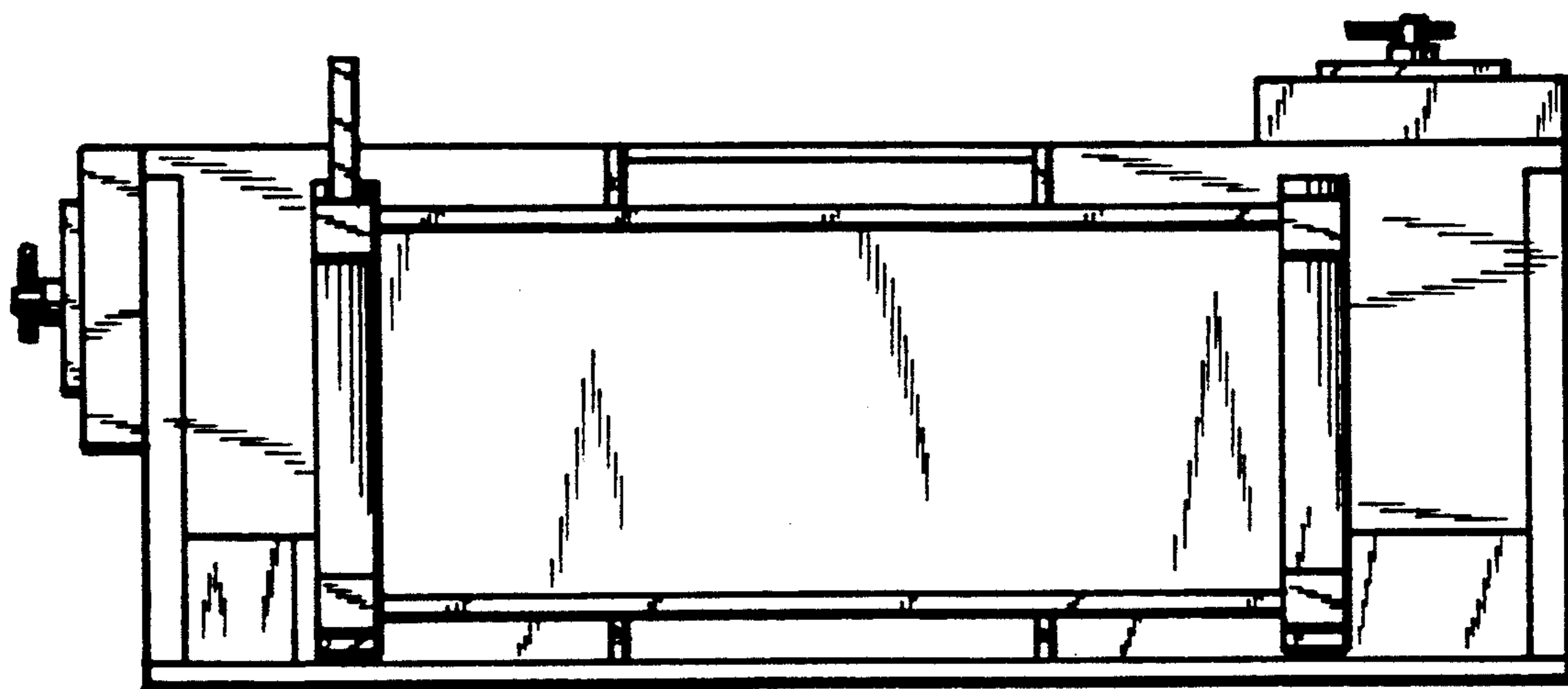


FIG. 5

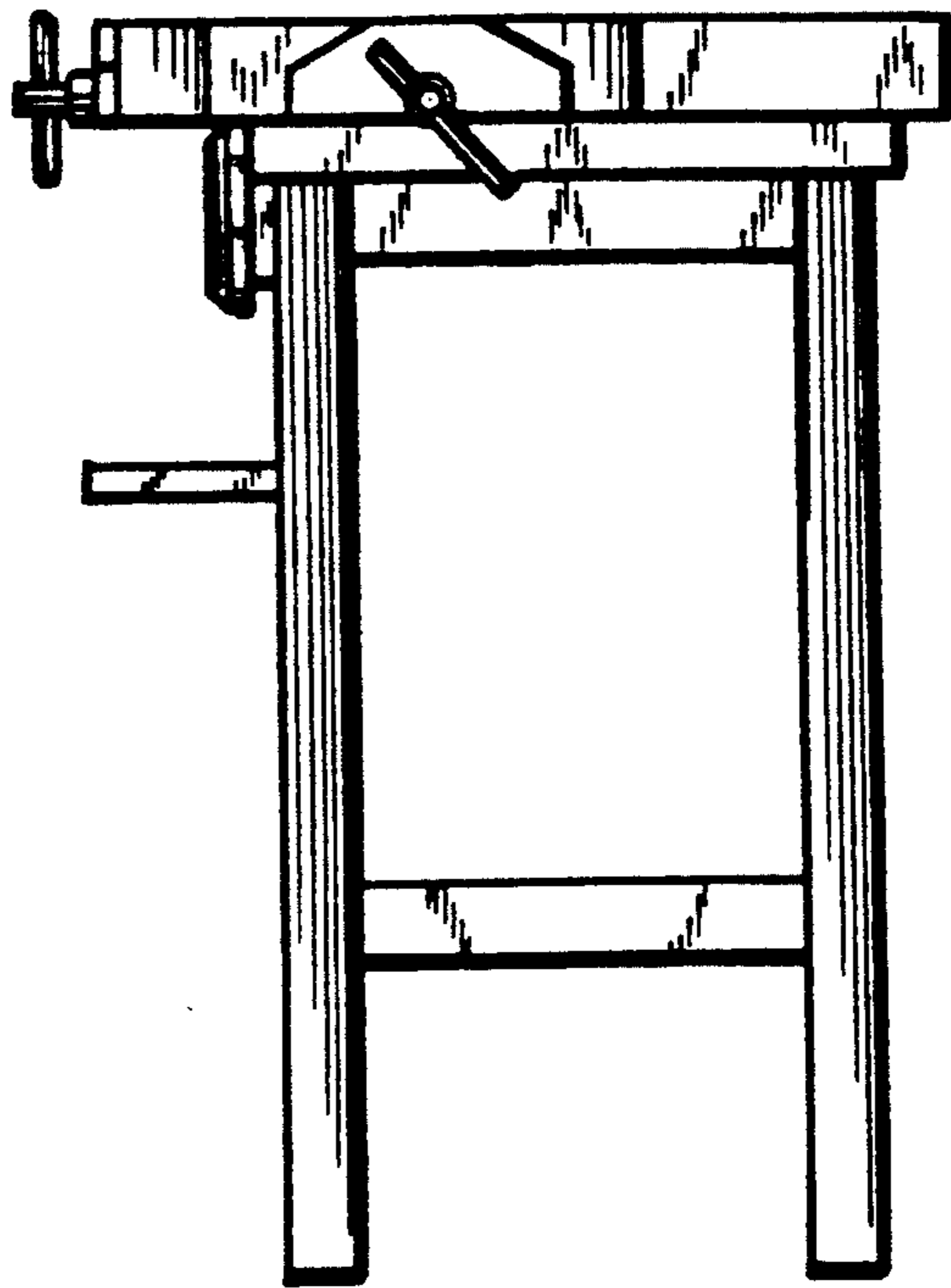


FIG. 6

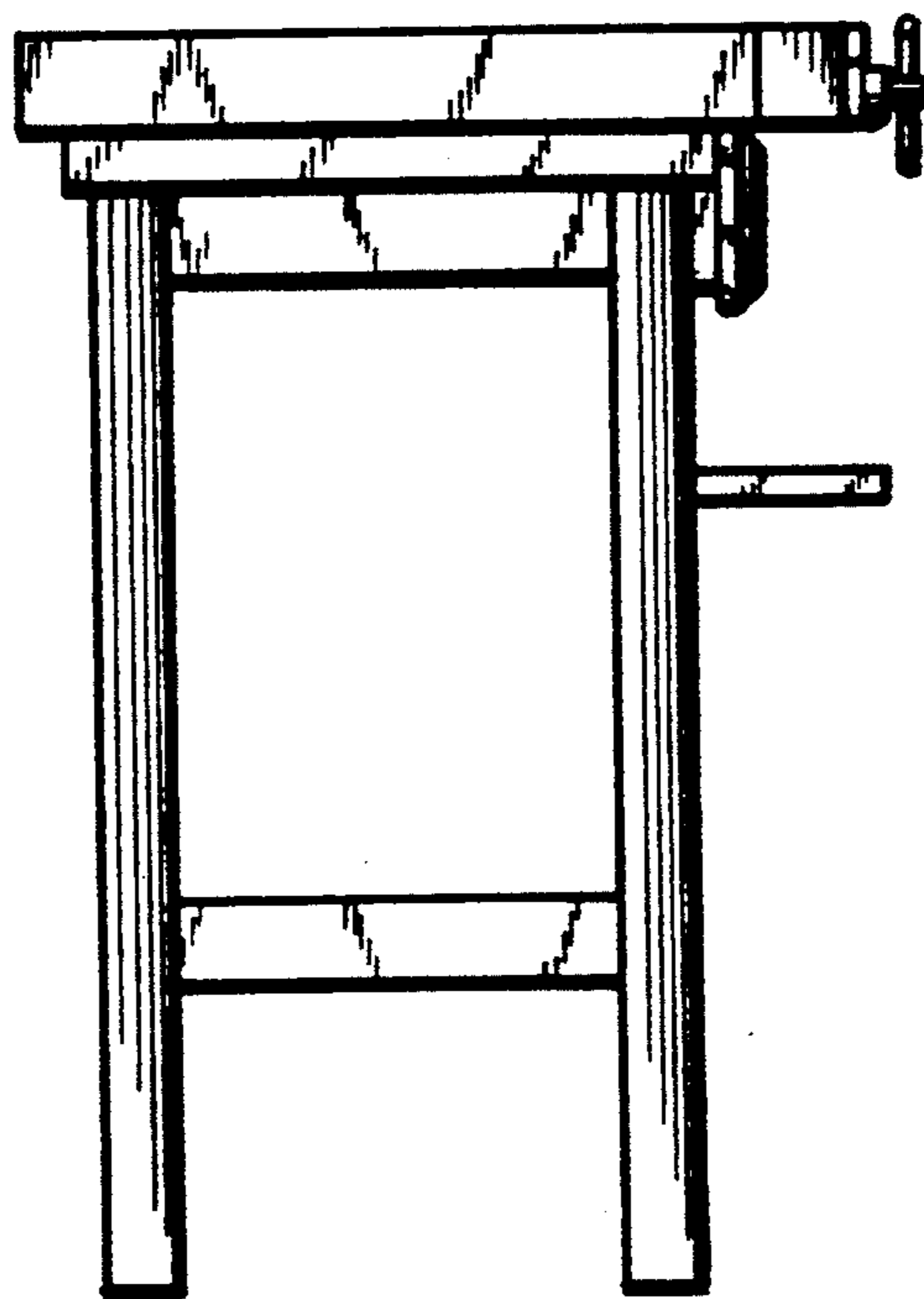


FIG. 7