



US00D346706S

United States Patent [19]

Ochsner

[11] Patent Number: **Des. 346,706**

[45] Date of Patent: **** May 10, 1994**

[54] CHAIR

D. 298,492 11/1988 Ochsner D6/379

[75] Inventor: **Koni Ochsner, Wettingen, Switzerland**

[73] Assignee: **Giroflex Entwicklungs AG, Koblenz, Switzerland**

[**] Term: **14 Years**

[21] Appl. No.: **949,085**

[22] Filed: **Sep. 22, 1992**

[30] **Foreign Application Priority Data**

Mar. 25, 1992 [WO] World Int. Prop. O. ... DM/022 384

[52] U.S. Cl. **D6/372; D6/379; D6/380**

[58] Field of Search **D6/334, 372, 374, 375, D6/379, 380, 500, 501, 502; 297/411.2, 445**

[56] **References Cited**

U.S. PATENT DOCUMENTS

D. 251,578 4/1979 Ruf D6/372
D. 272,393 1/1984 Klier D6/334

OTHER PUBLICATIONS

Domus, Jan. 1981, inside front cover, chair at right.
Domus, Sep. 1988, p. 24, chair in frame #41, center page.

Primary Examiner—Alan P. Douglas
Assistant Examiner—Gary D. Watson
Attorney, Agent, or Firm—Sandler, Greenblum & Bernstein

[57] **CLAIM**

The ornamental design for a chair, as shown and described.

DESCRIPTION

FIG. 1 is a front perspective view of a chair, showing my new design;
FIG. 2 is a top plan view thereof;
FIG. 3 is a front elevational view thereof;
FIG. 4 is a right side elevational view thereof;
FIG. 5 is a bottom plan view thereof;
FIG. 6 is a rear elevational view thereof; and,
FIG. 7 is a left side elevational view thereof.

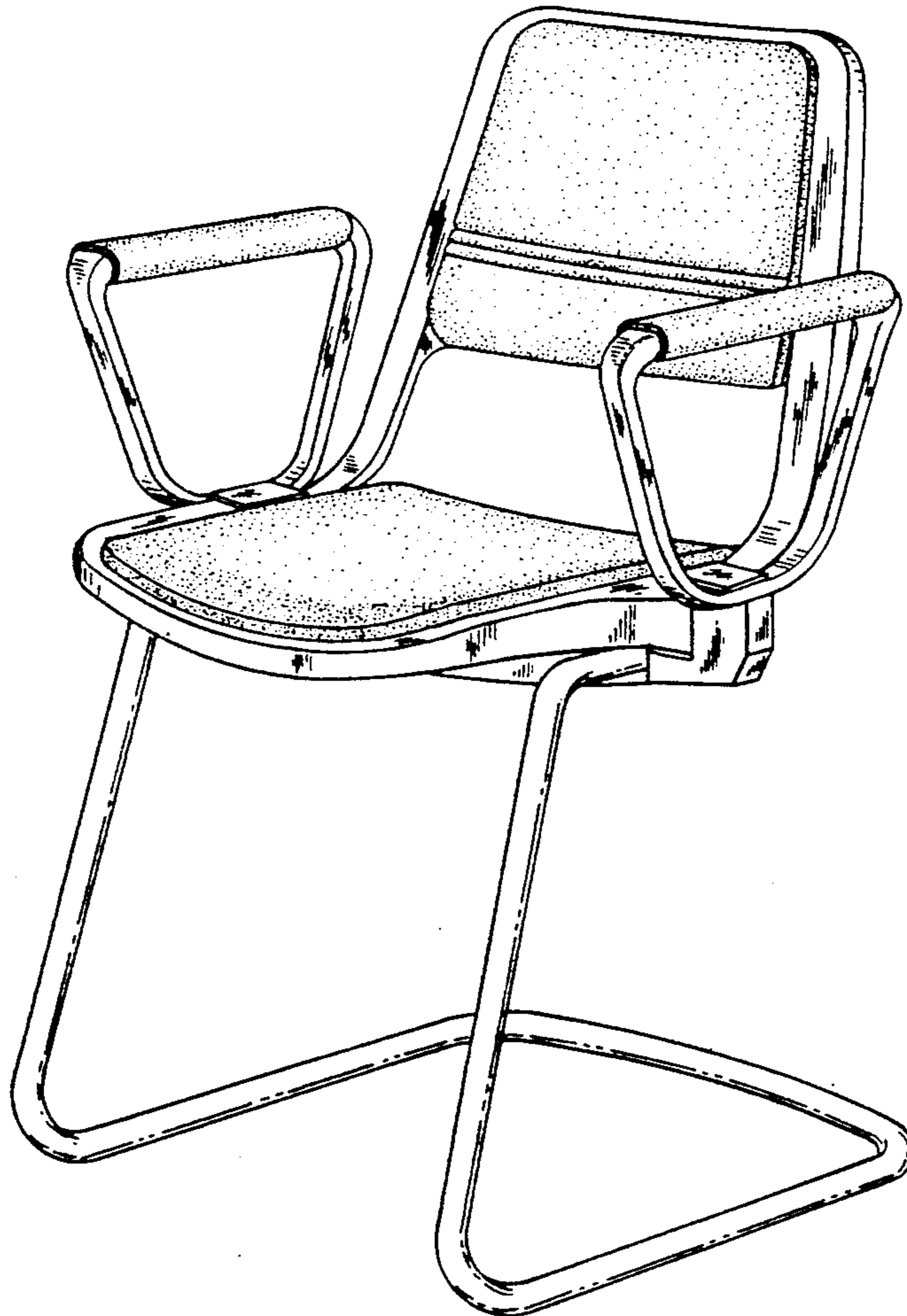


FIG. 1

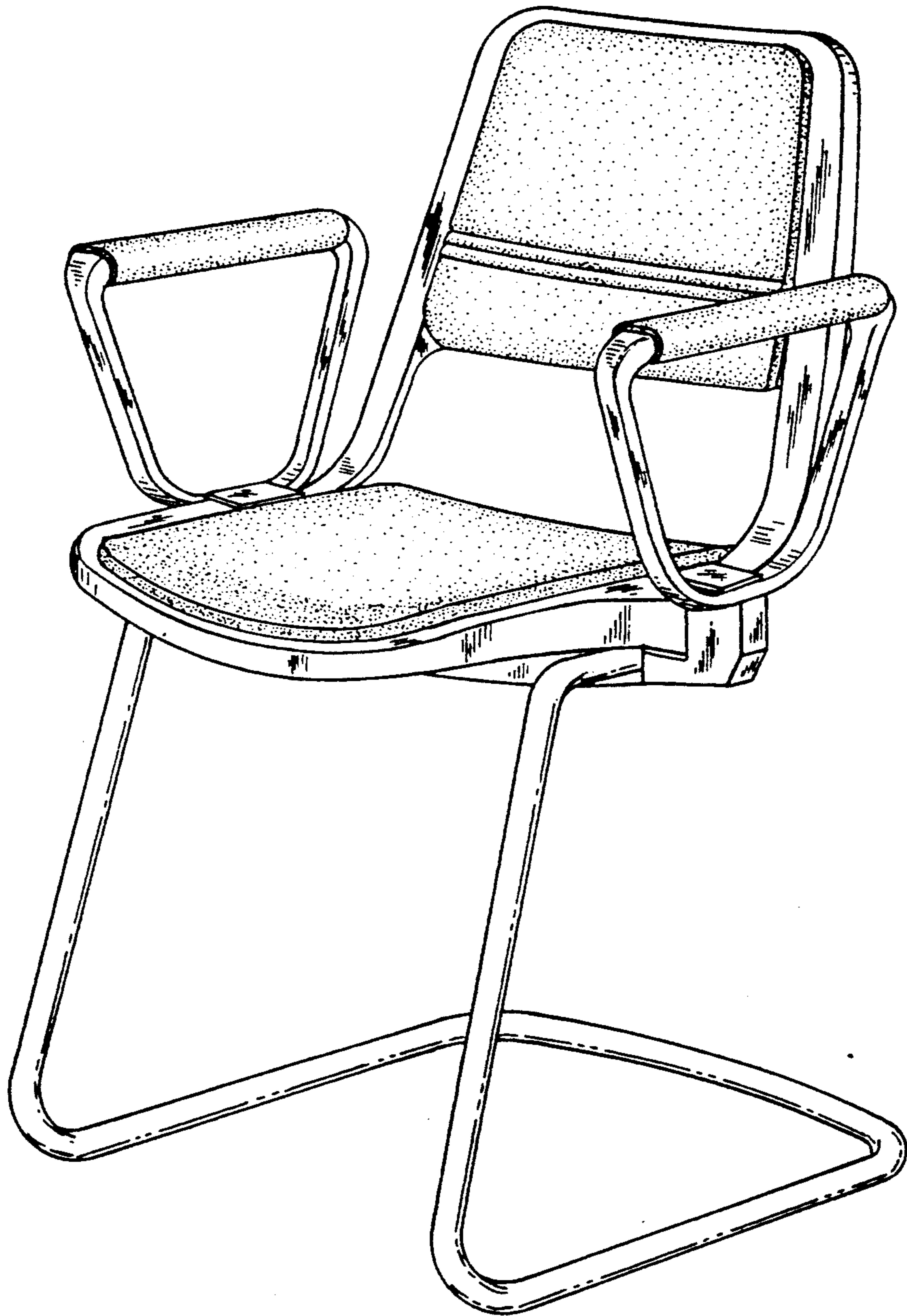


FIG. 2

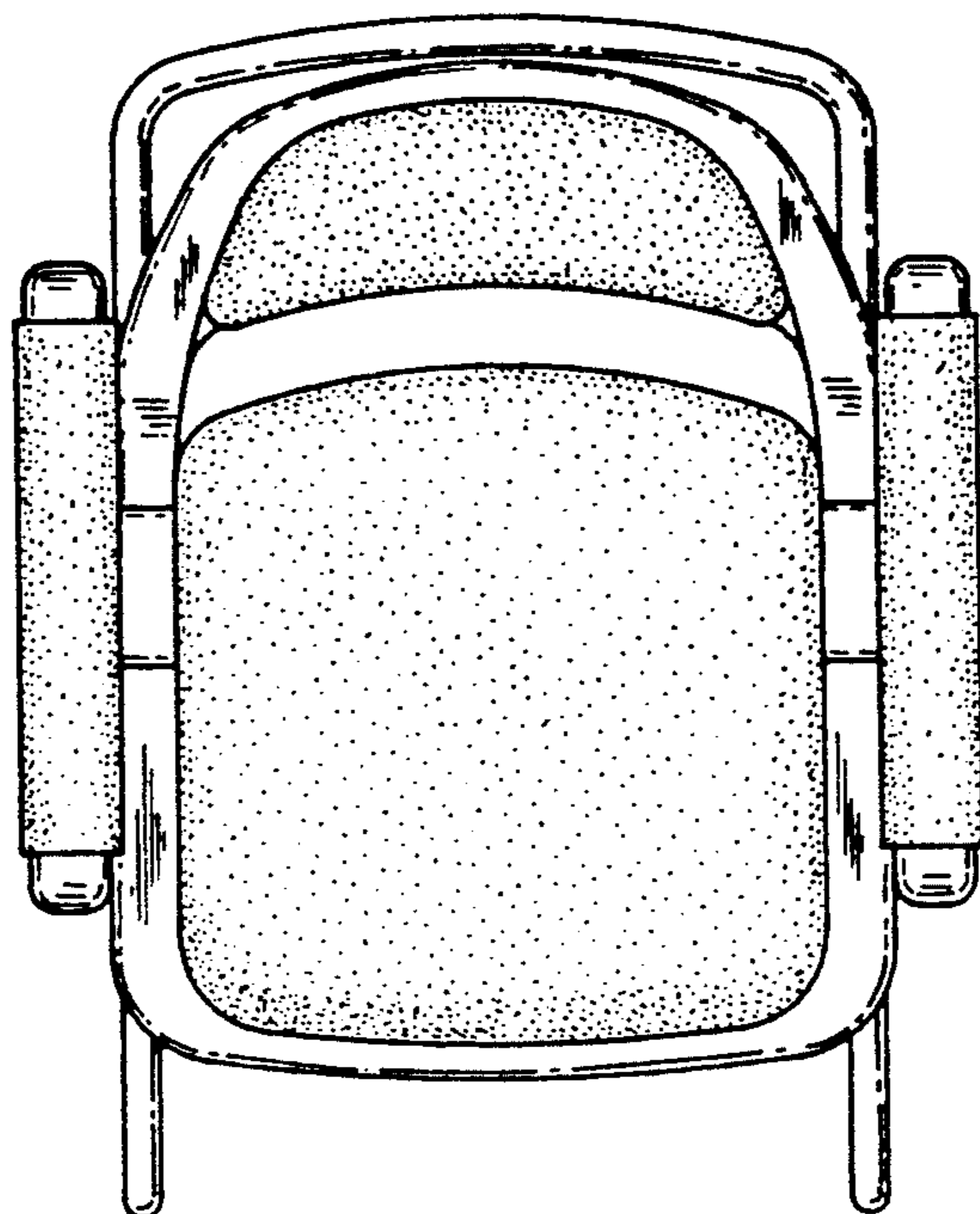
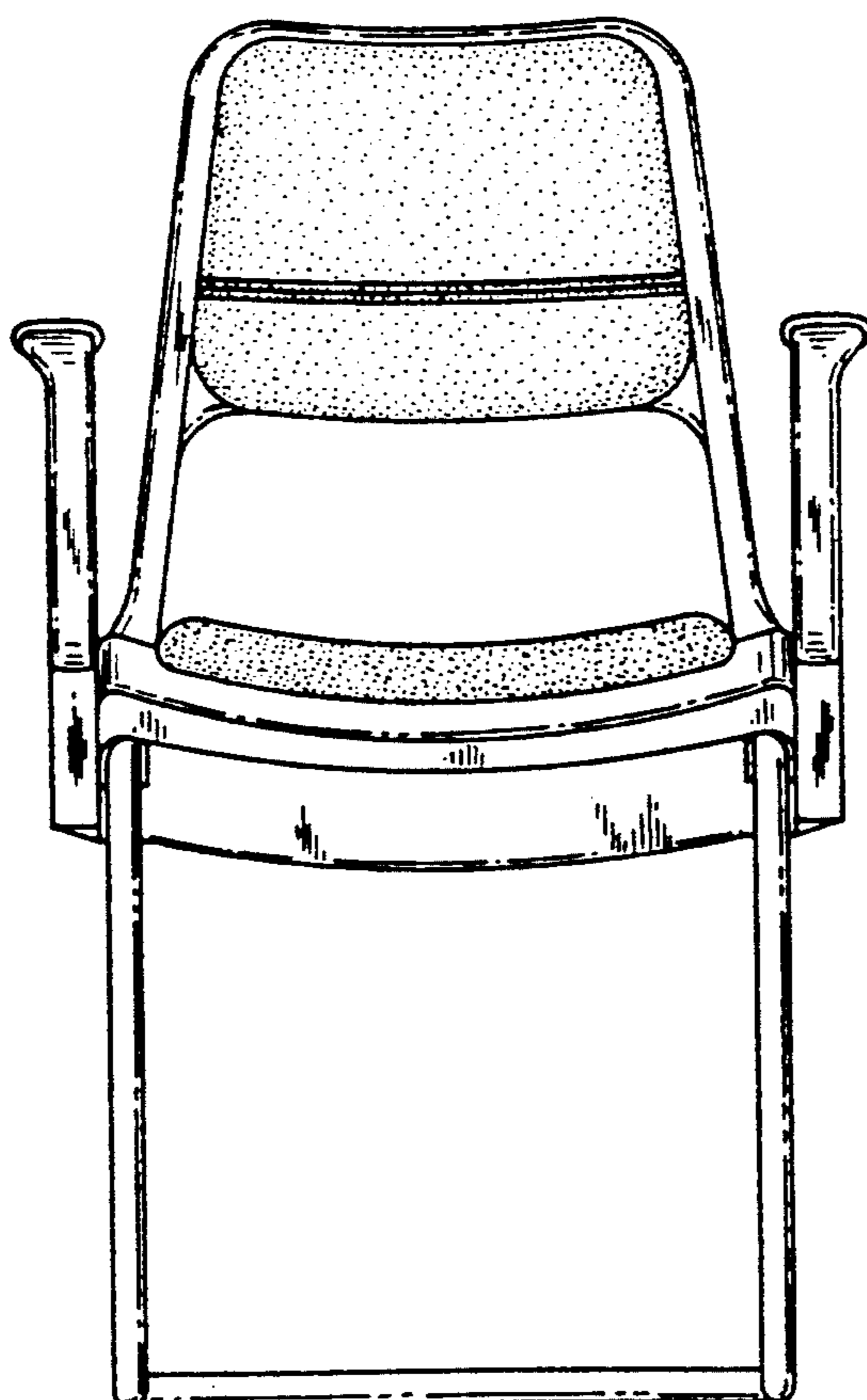


FIG. 3



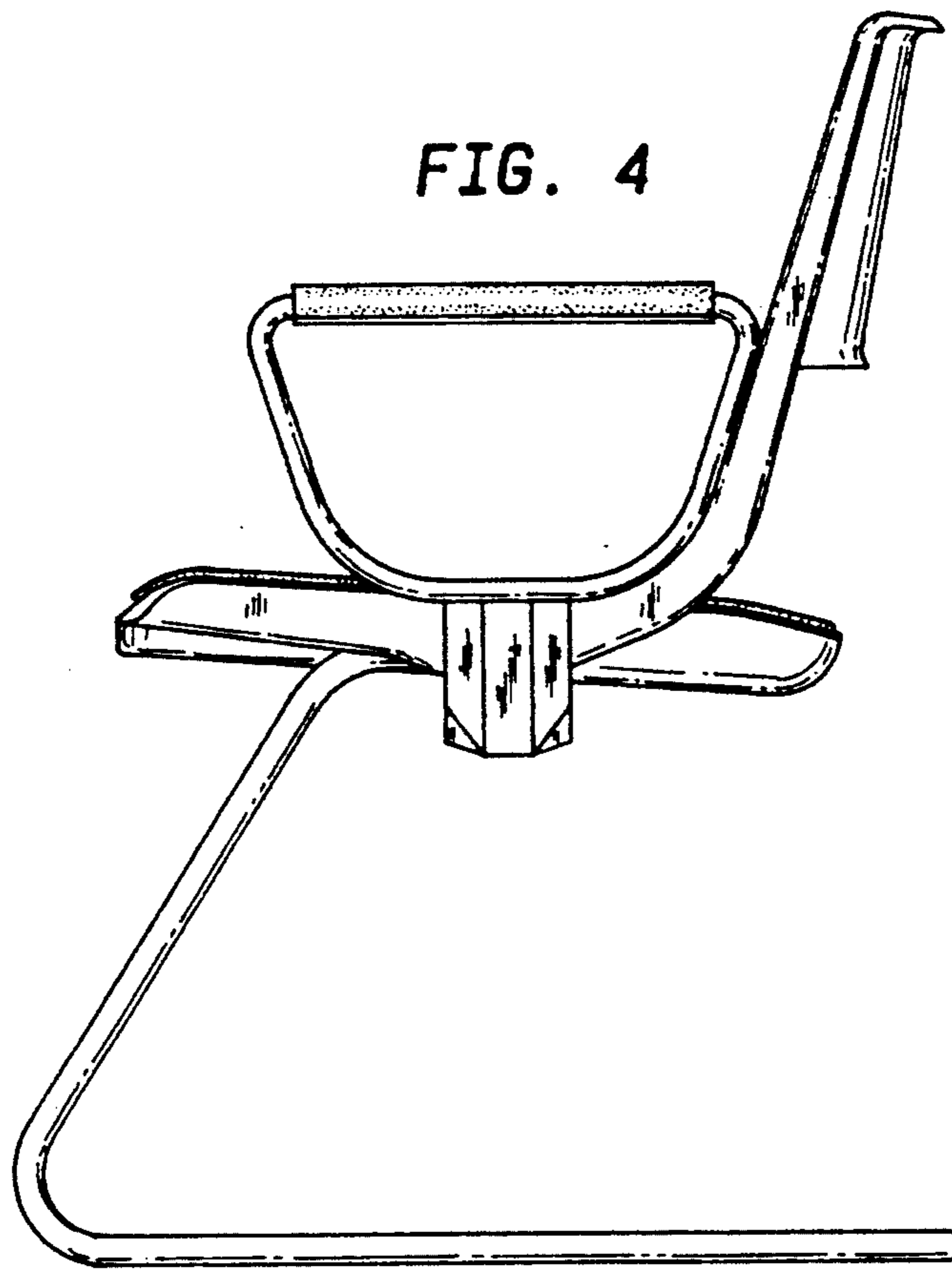
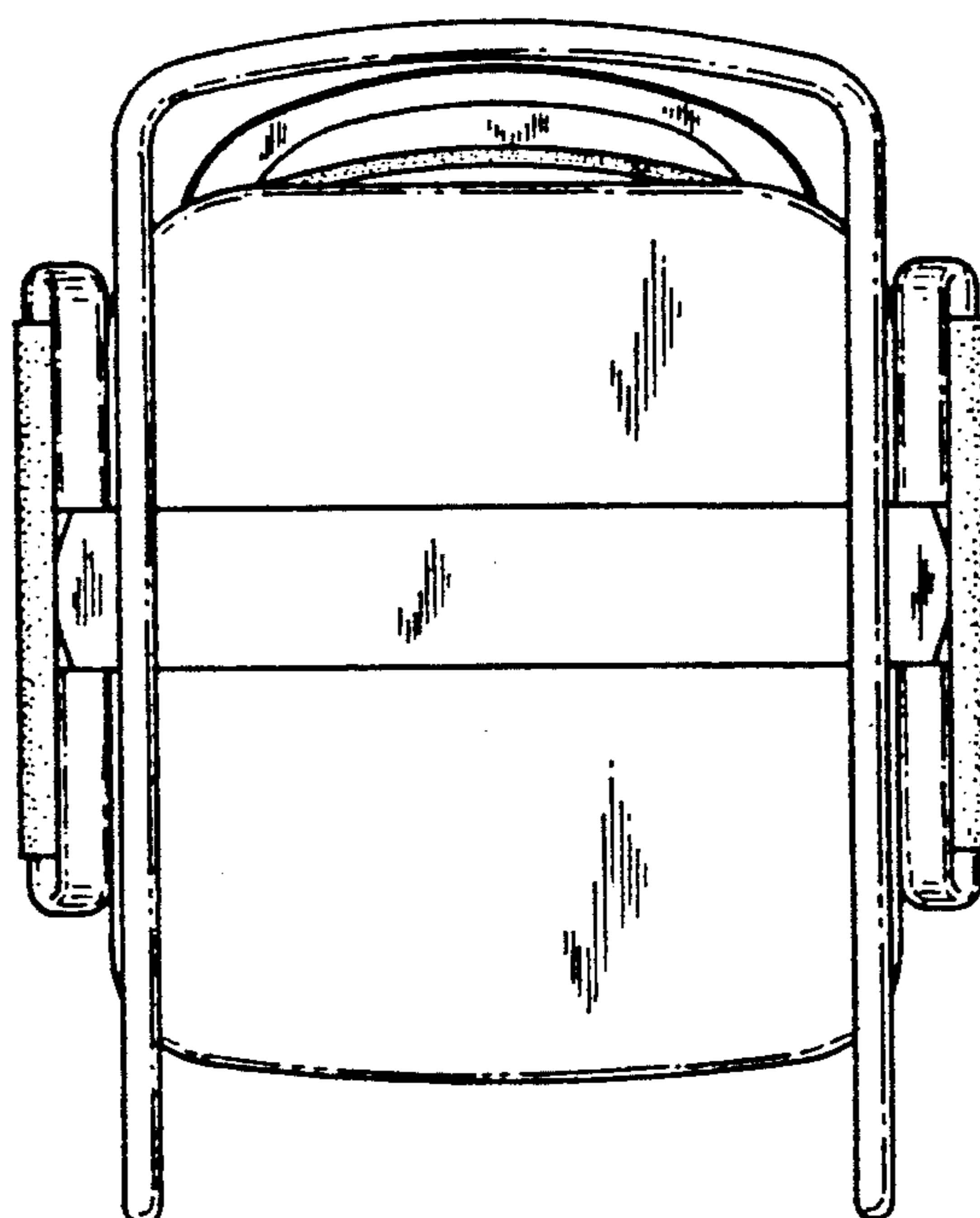


FIG. 5



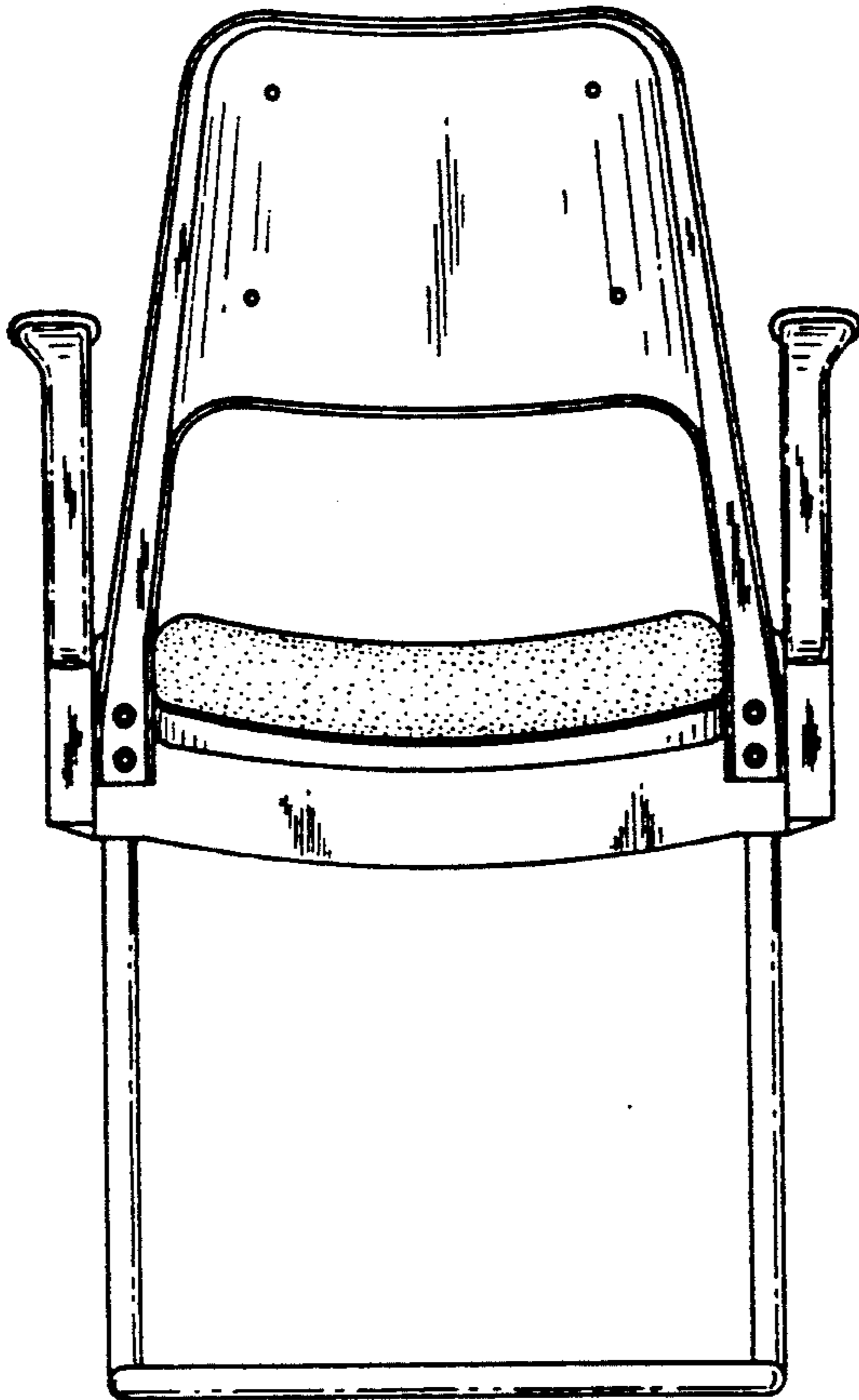


FIG. 6

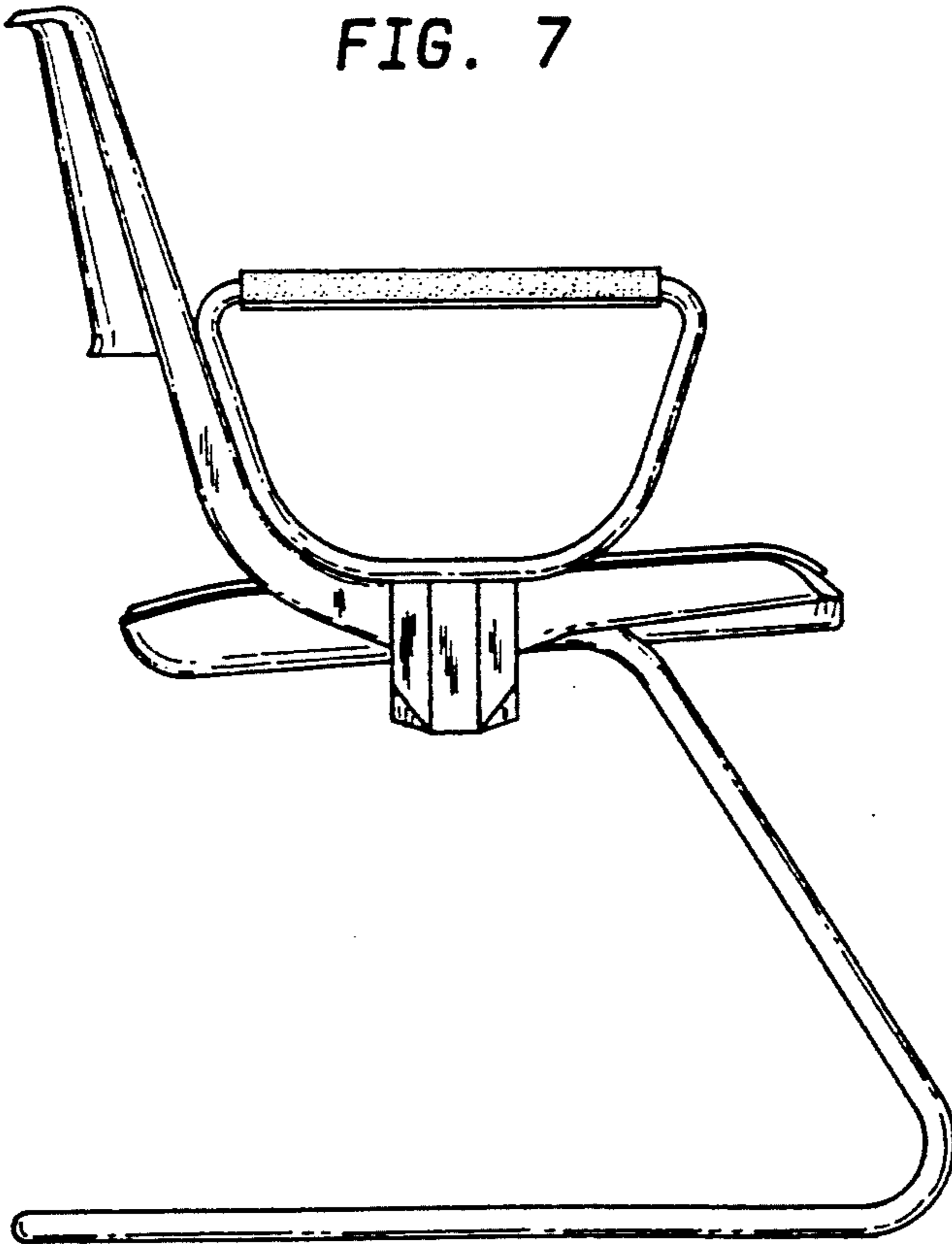


FIG. 7