



US00D346692S

United States Patent [19]

[11] Patent Number: **Des. 346,692**

Bromell

[45] Date of Patent: **** May 10, 1994**

[54] **COSMETIC BAG**

2,536,169 1/1951 Gray 190/103
3,023,794 3/1962 Lifton 383/66 X

[76] Inventor: **Arnell Bromell**, 137-12 225th St.,
Laurelton, N.Y. 11413

Primary Examiner—Louis S. Zarfes
Attorney, Agent, or Firm—S. Michael Bender

[**] Term: **14 Years**

[57] **CLAIM**

[21] Appl. No.: **867,915**

The ornamental design for a cosmetic bag, as shown and described.

[22] Filed: **Apr. 13, 1992**

[52] U.S. Cl. **D3/275; D3/901**

[58] Field of Search **D3/39, 41-54,**
D3/71; 150/100-118; 190/100, 103; 383/66,
100, 102, 901; D28/73

DESCRIPTION

FIG. 1 is a front elevational view of the cosmetic bag showing my new design;

FIG. 2 is a rear elevational view thereof;

FIG. 3 is a left side elevational view thereof;

FIG. 4 is a right side elevational view thereof;

FIG. 5 is a top plan view thereof;

FIG. 6 is a bottom plan view thereof; and,

FIG. 7 is a top right perspective view thereof.

[56]

References Cited

U.S. PATENT DOCUMENTS

D. 247,069 1/1978 Siris D3/54
2,081,085 5/1937 Bowen D3/49 X

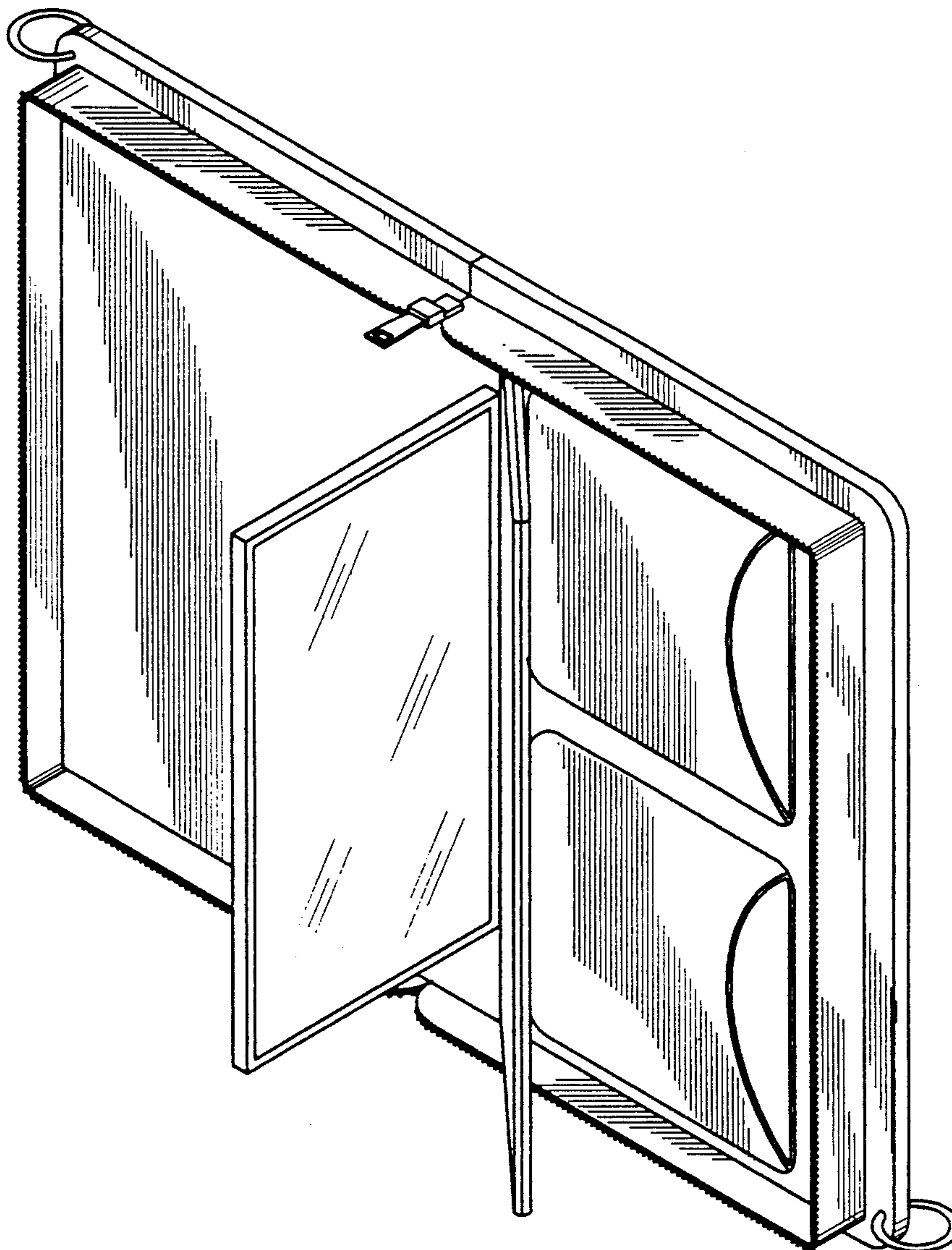


FIG. 1

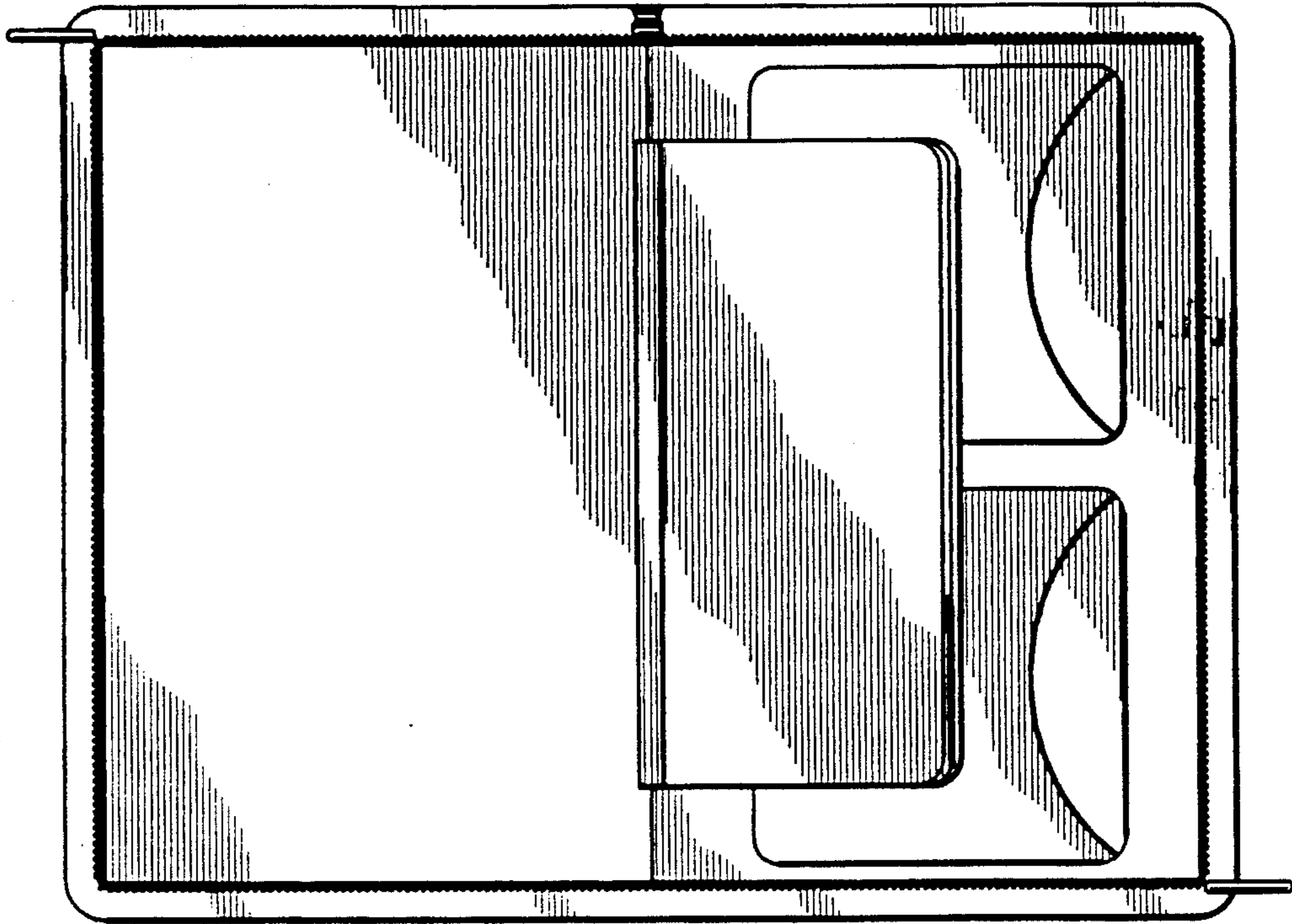


FIG. 2

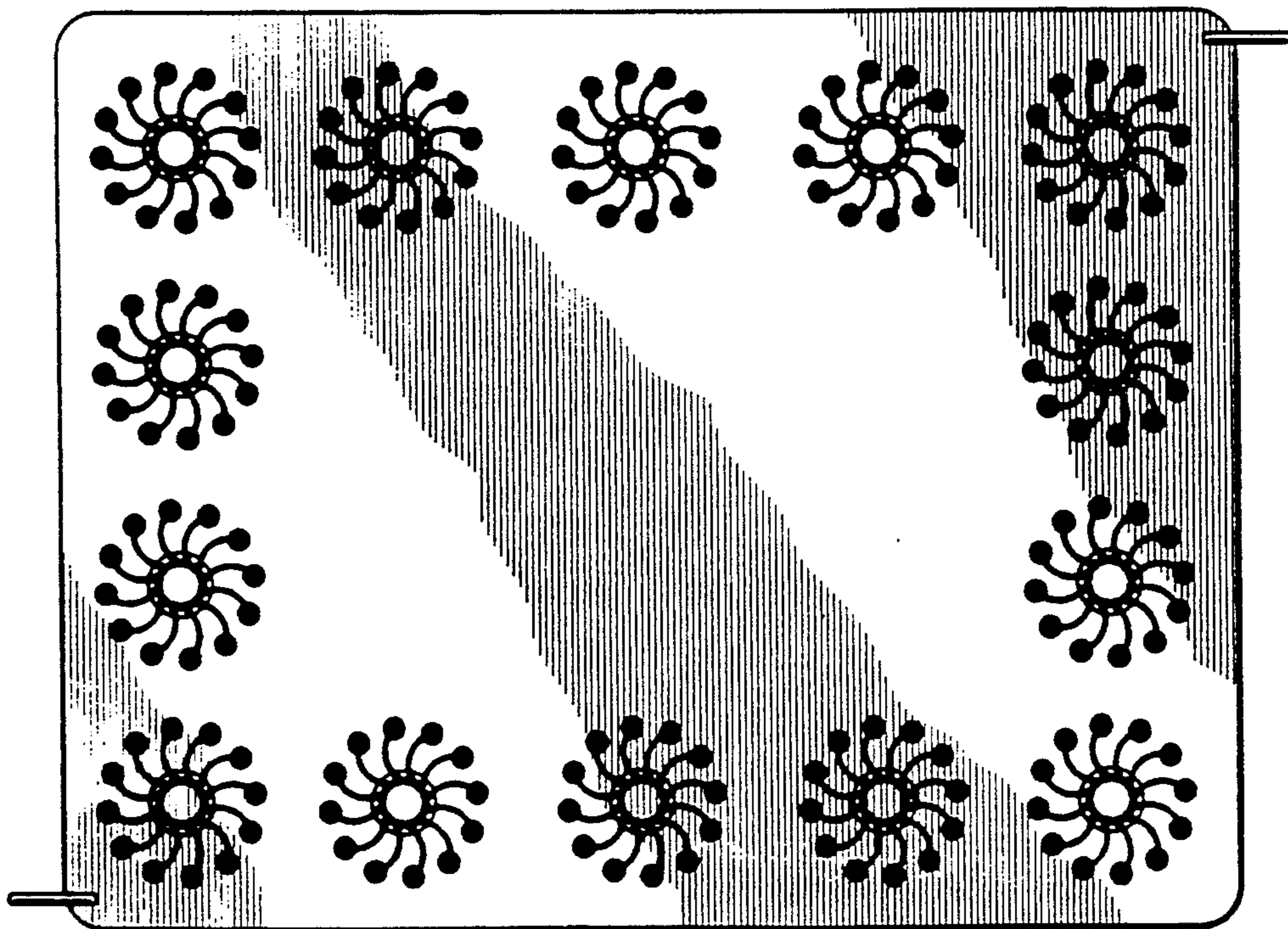


FIG. 3

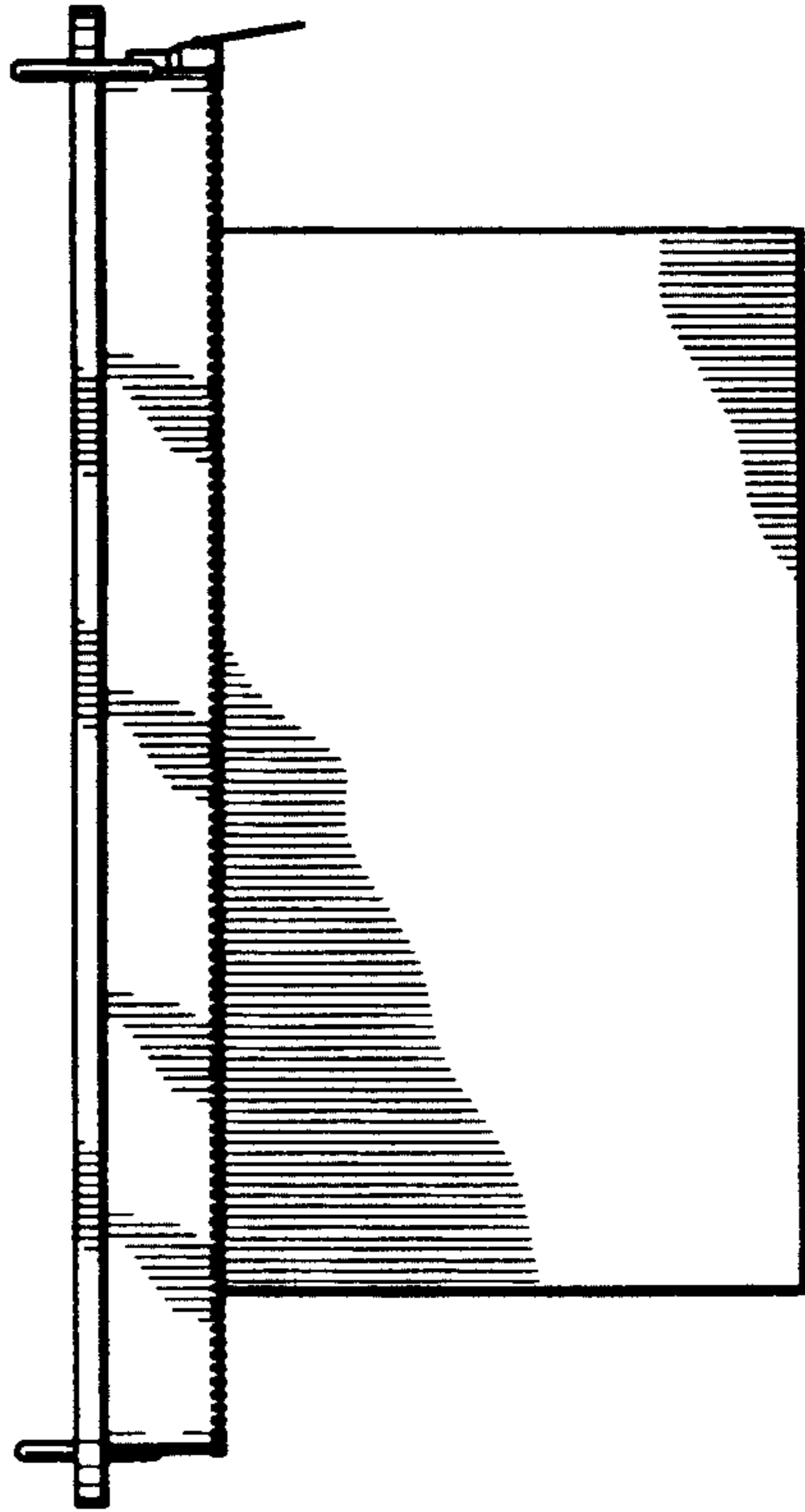


FIG. 4

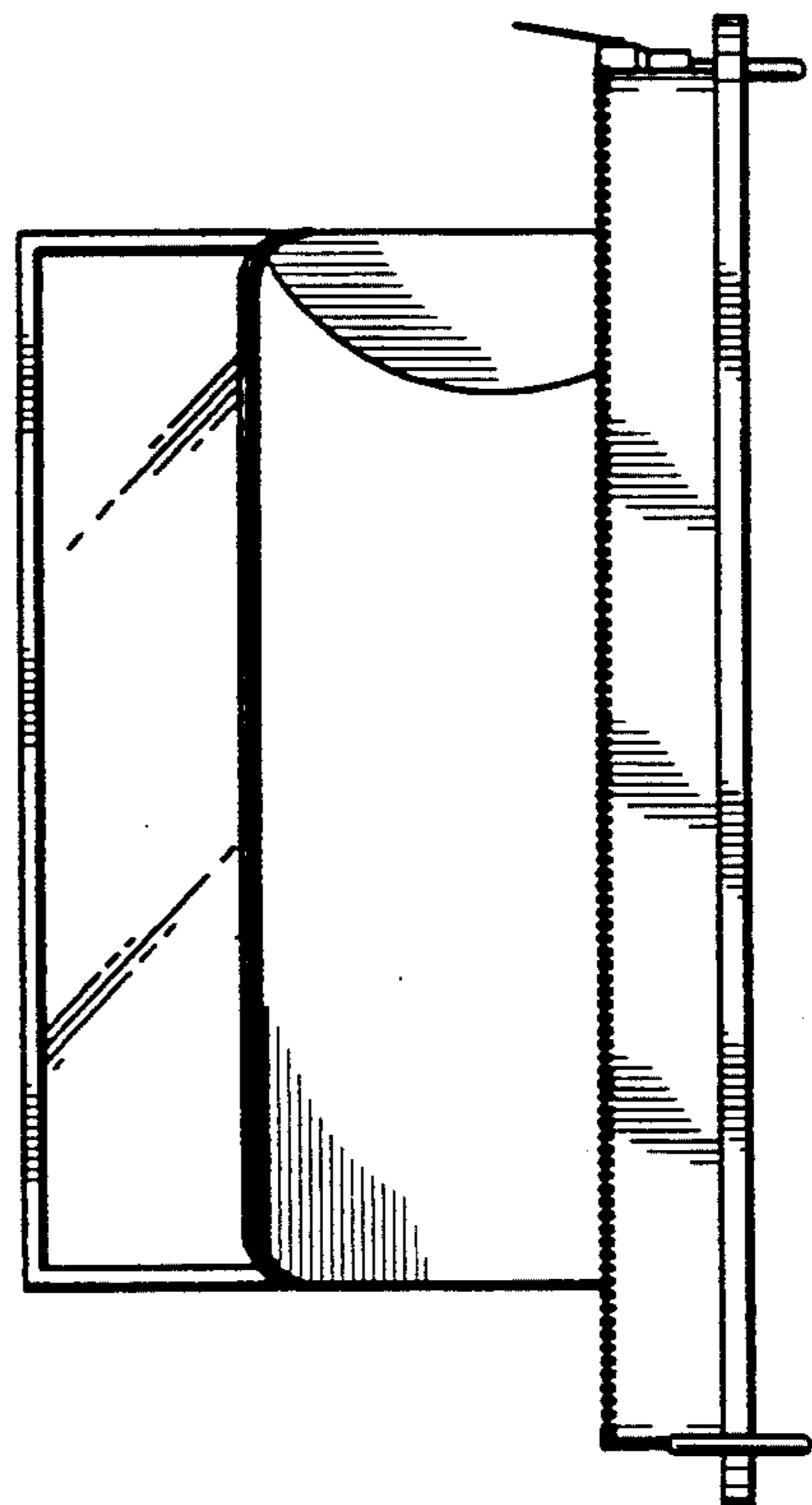


FIG. 5

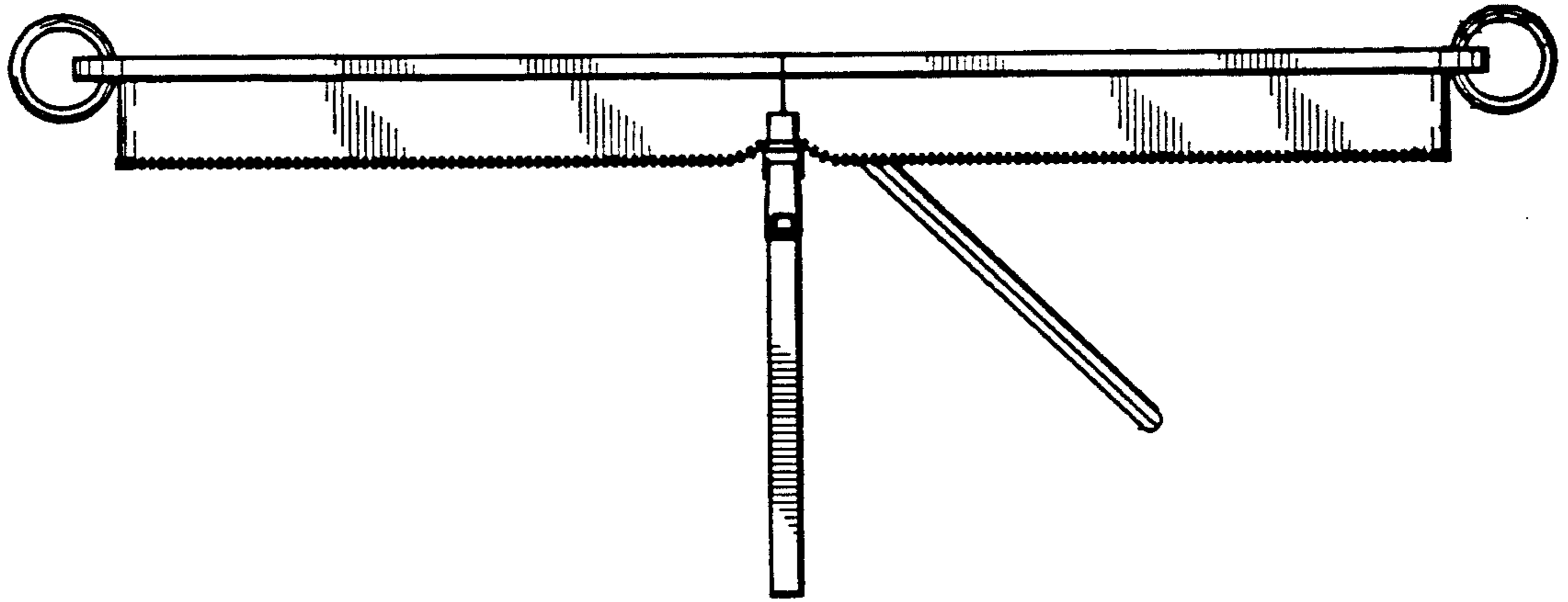


FIG. 6

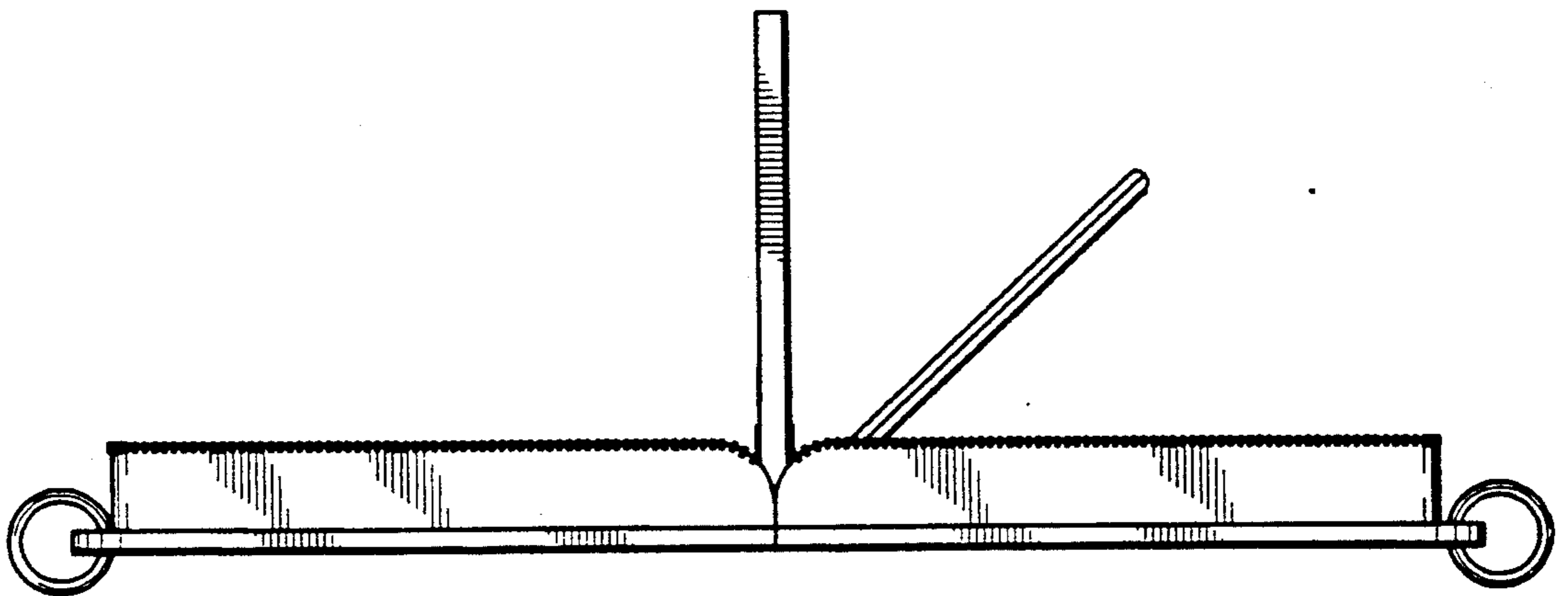


FIG. 7

