



US00D346691S

United States Patent [19]

[11] Patent Number: **Des. 346,691**

Tse

[45] Date of Patent: **** May 10, 1994**

[54] **SUSPENDABLE STORAGE CONTAINER FOR COMPUTER DISKETTES**

4,976,373 12/1990 Perdue, Jr. et al. 206/444 X
5,088,801 2/1992 Rorke et al. 312/184

[75] Inventor: **Michael K. Tse, Kowloon, Hong Kong**

FOREIGN PATENT DOCUMENTS

2173478 10/1986 United Kingdom 206/444

[73] Assignee: **STD Electronic International Limited, Hong Kong, Hong Kong**

Primary Examiner—Nelson C. Holtje
Assistant Examiner—Martie Thompson
Attorney, Agent, or Firm—Burns, Doane, Swecker & Mathis

[**] Term: **14 Years**

[21] Appl. No.: **748,391**

[57] CLAIM

The ornamental design for a suspendable storage container for computer diskettes, as shown and described.

[22] Filed: **Aug. 22, 1991**

[52] U.S. Cl. **D6/634; D19/75; D19/76**

DESCRIPTION

[58] **Field of Search** D3/30.1, 35, 72, 74, D3/78; 206/334, 387, 425, 444, 454, 449, 555; 211/10, 11; 312/183, 184; 220/335; D19/65, 75, 76, 78, 86, 90, 91, 99, 100

FIG. 1 is a front elevational view of a suspendable storage container for computer diskettes, showing my new design;

FIG. 2 is a rear elevational view thereof;

FIG. 3 is a left side elevational view thereof;

FIG. 4 is a right side elevational view thereof;

FIG. 5 is a top plan view thereof;

FIG. 6 is a bottom plan view thereof; and,

FIG. 7 is a top, front and left side perspective view thereof.

[56] References Cited

U.S. PATENT DOCUMENTS

3,874,501 4/1975 Cronheim 206/425 X
4,721,207 1/1988 Kikuchi 206/444 X
4,747,488 5/1988 Kikuchi 206/444

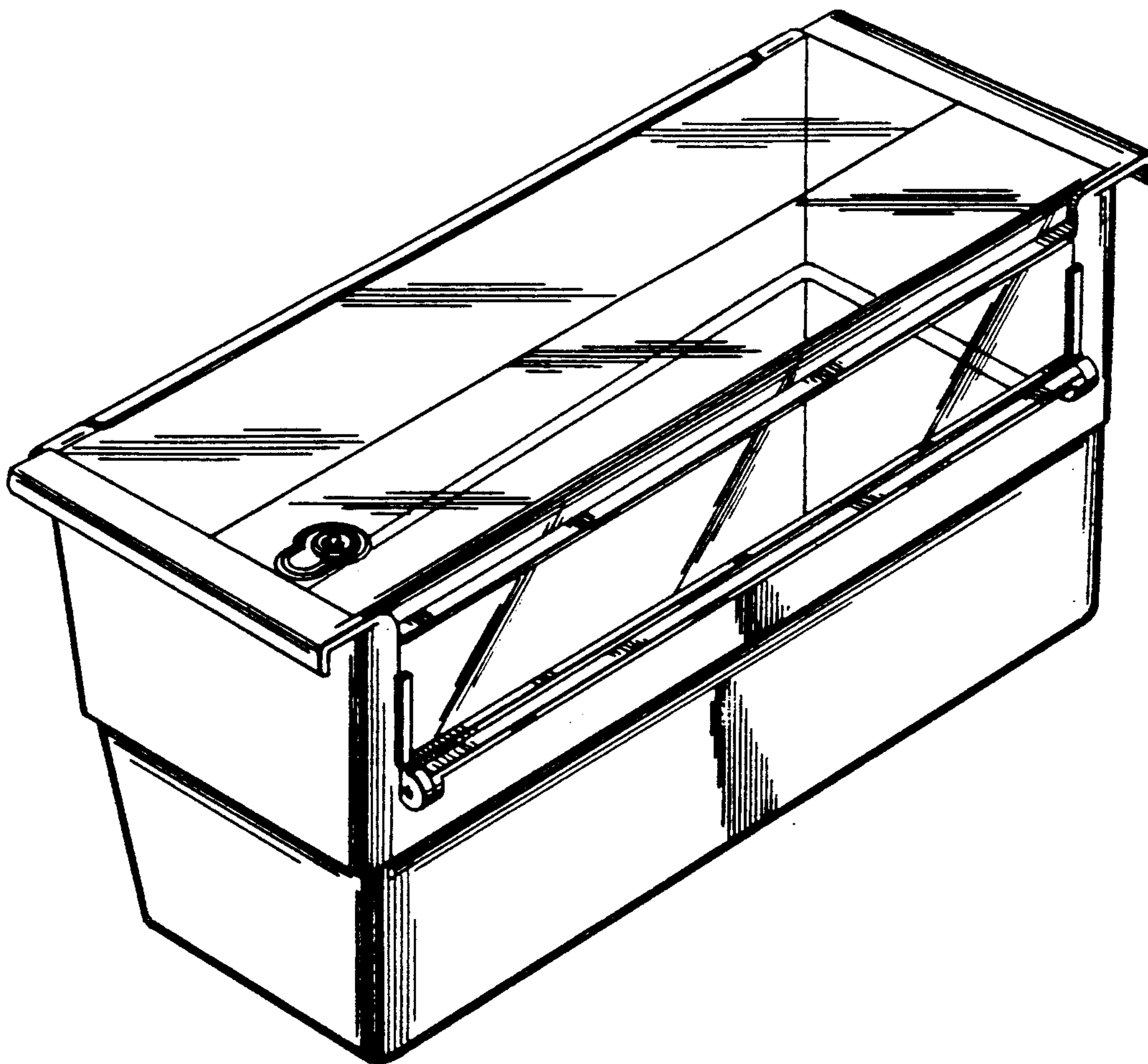


Fig. 1

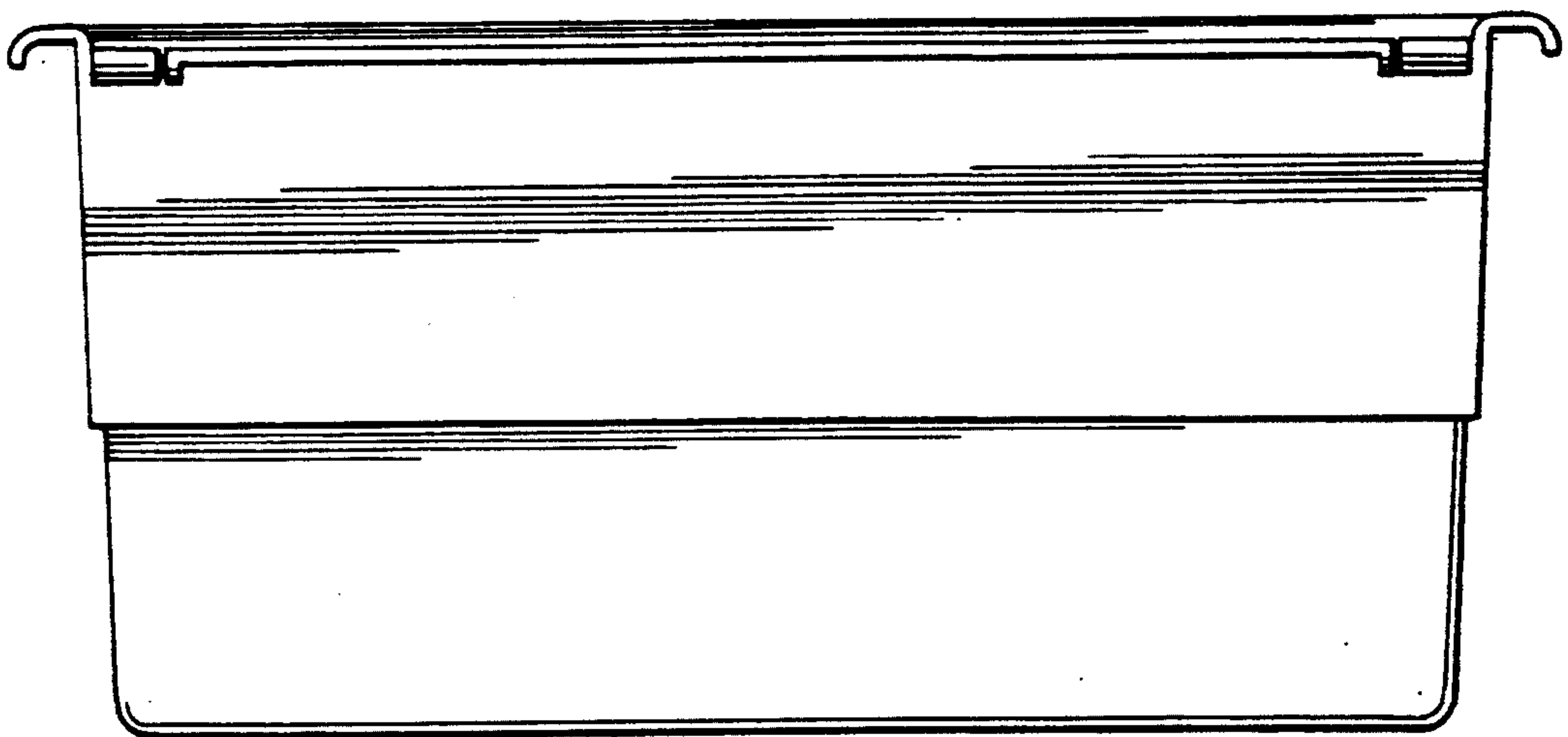
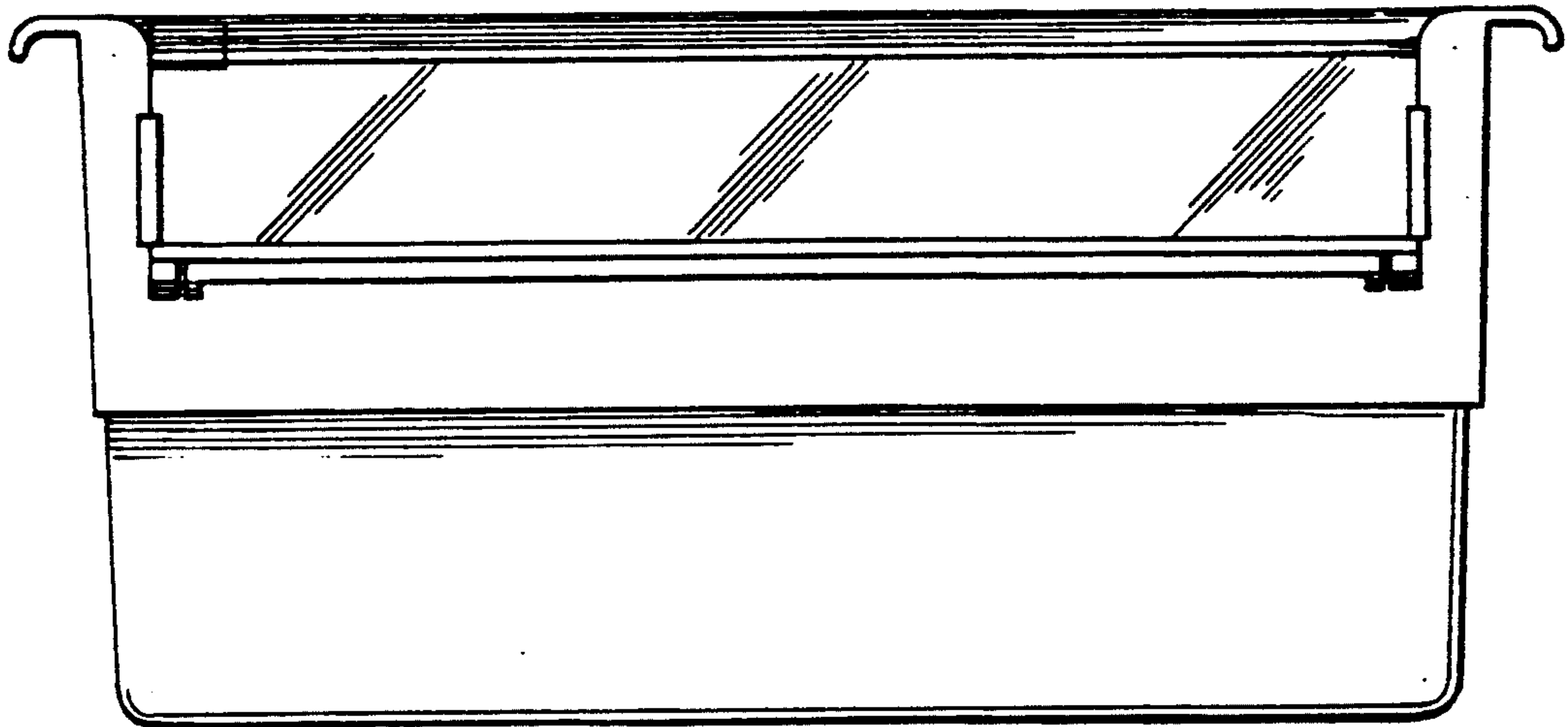


Fig. 2

Fig. 3

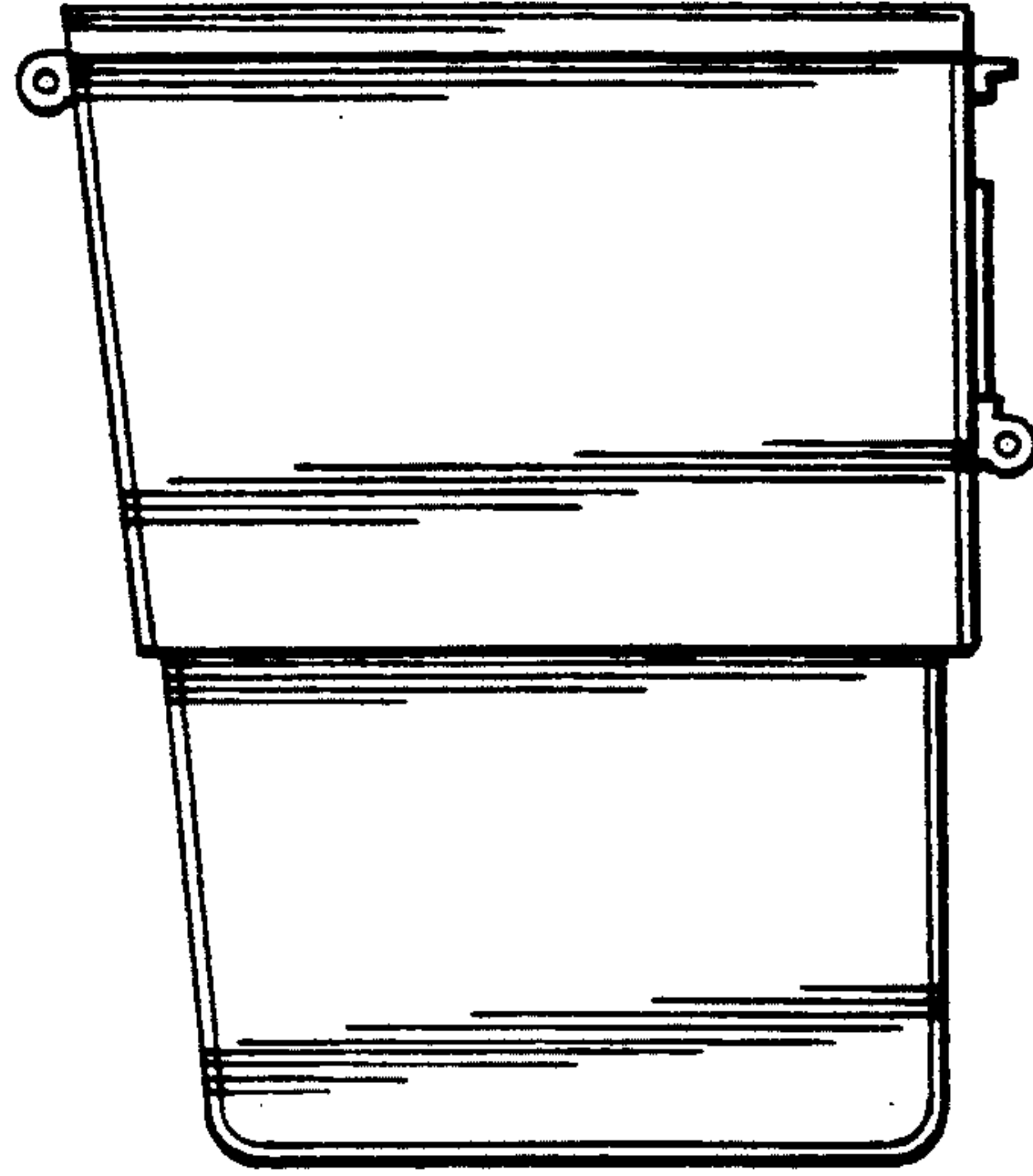


Fig. 4

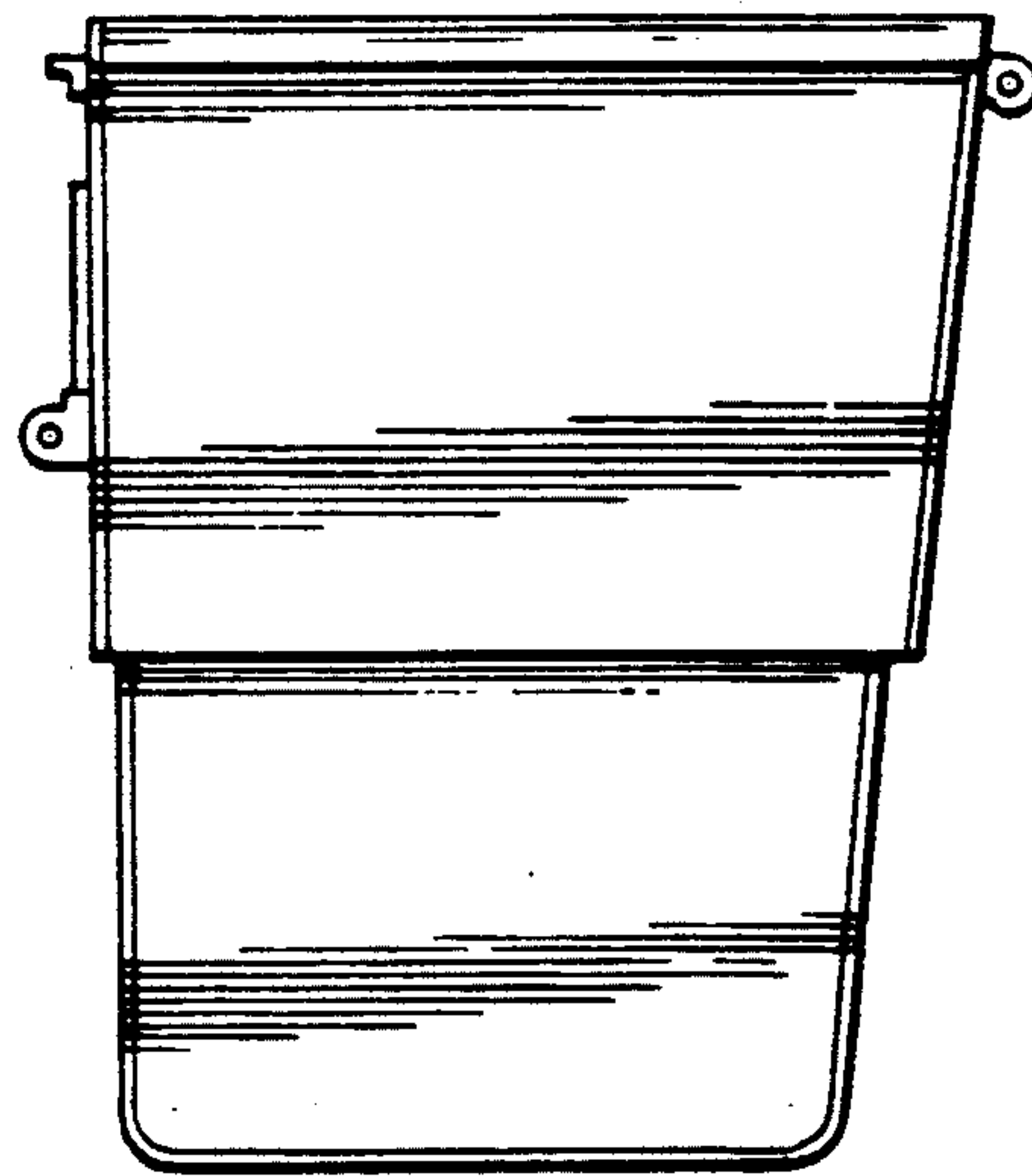


Fig. 5

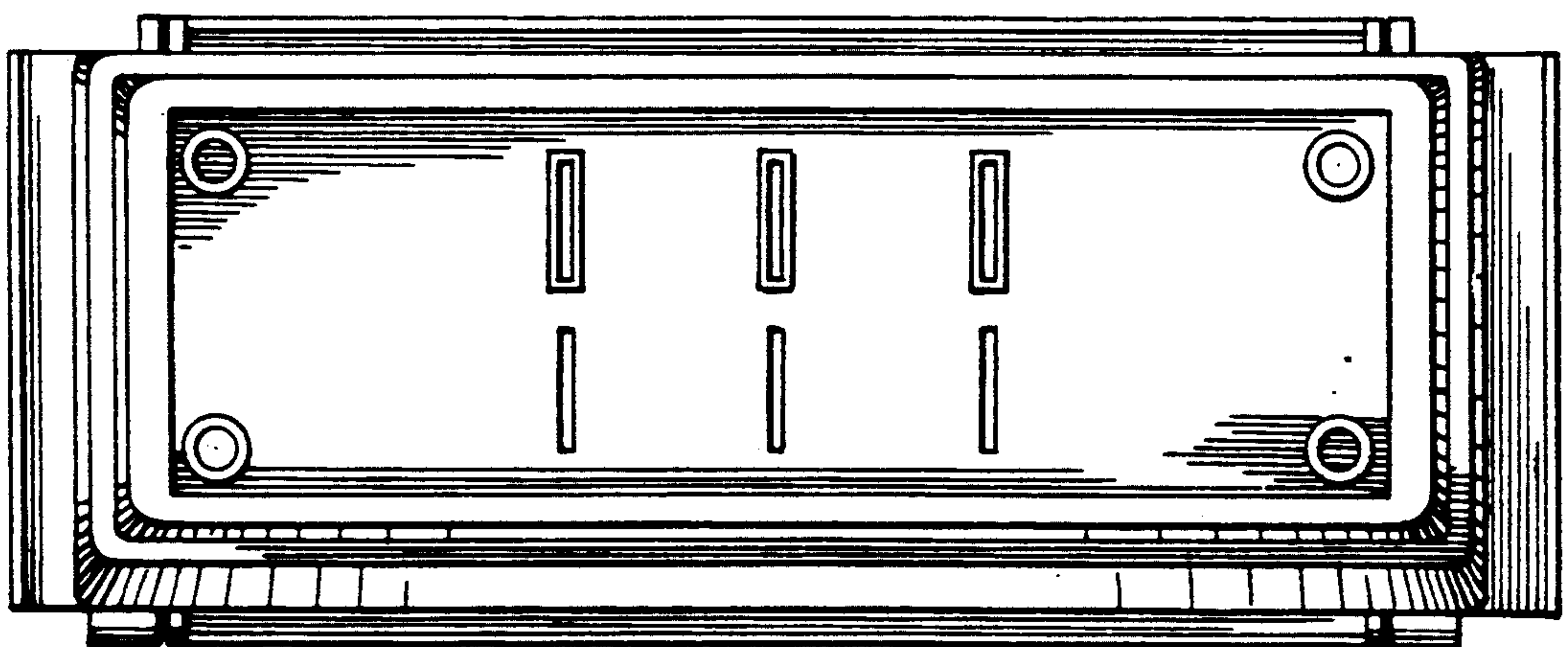
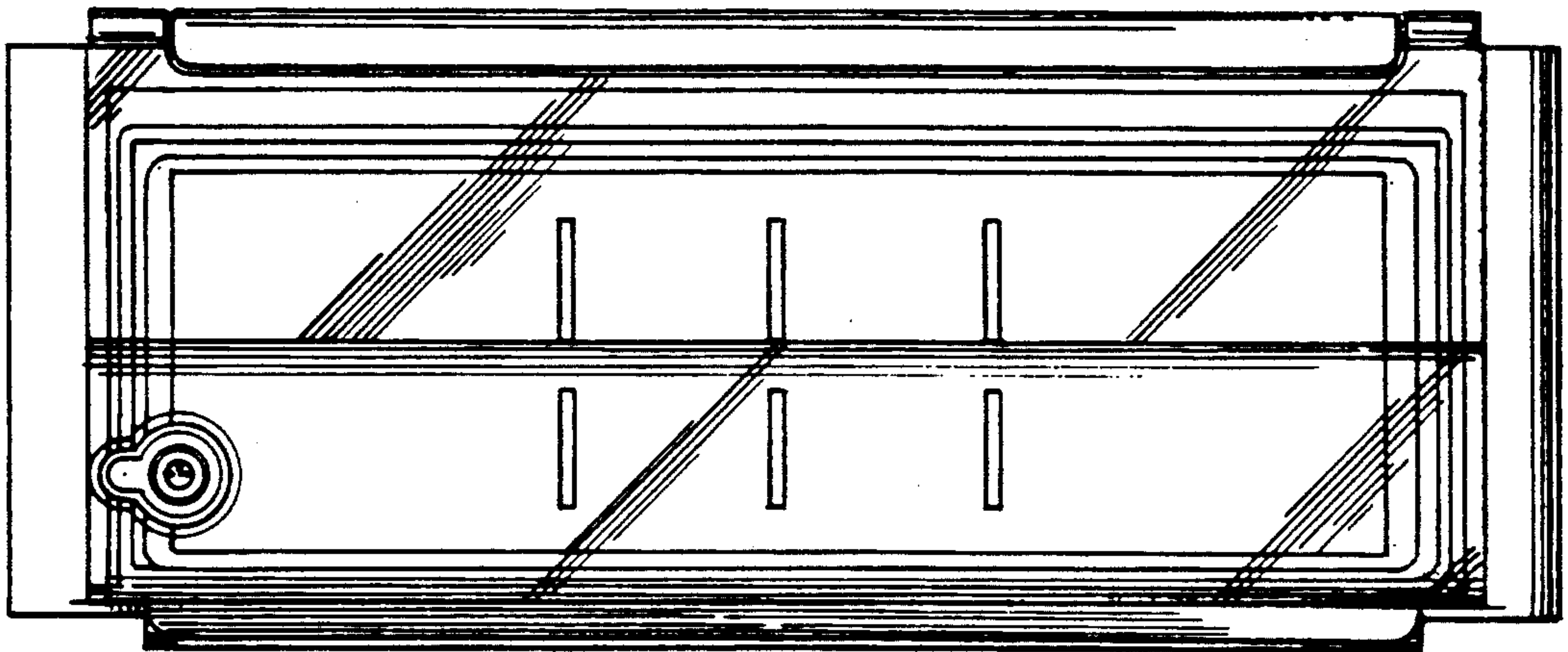


Fig. 6

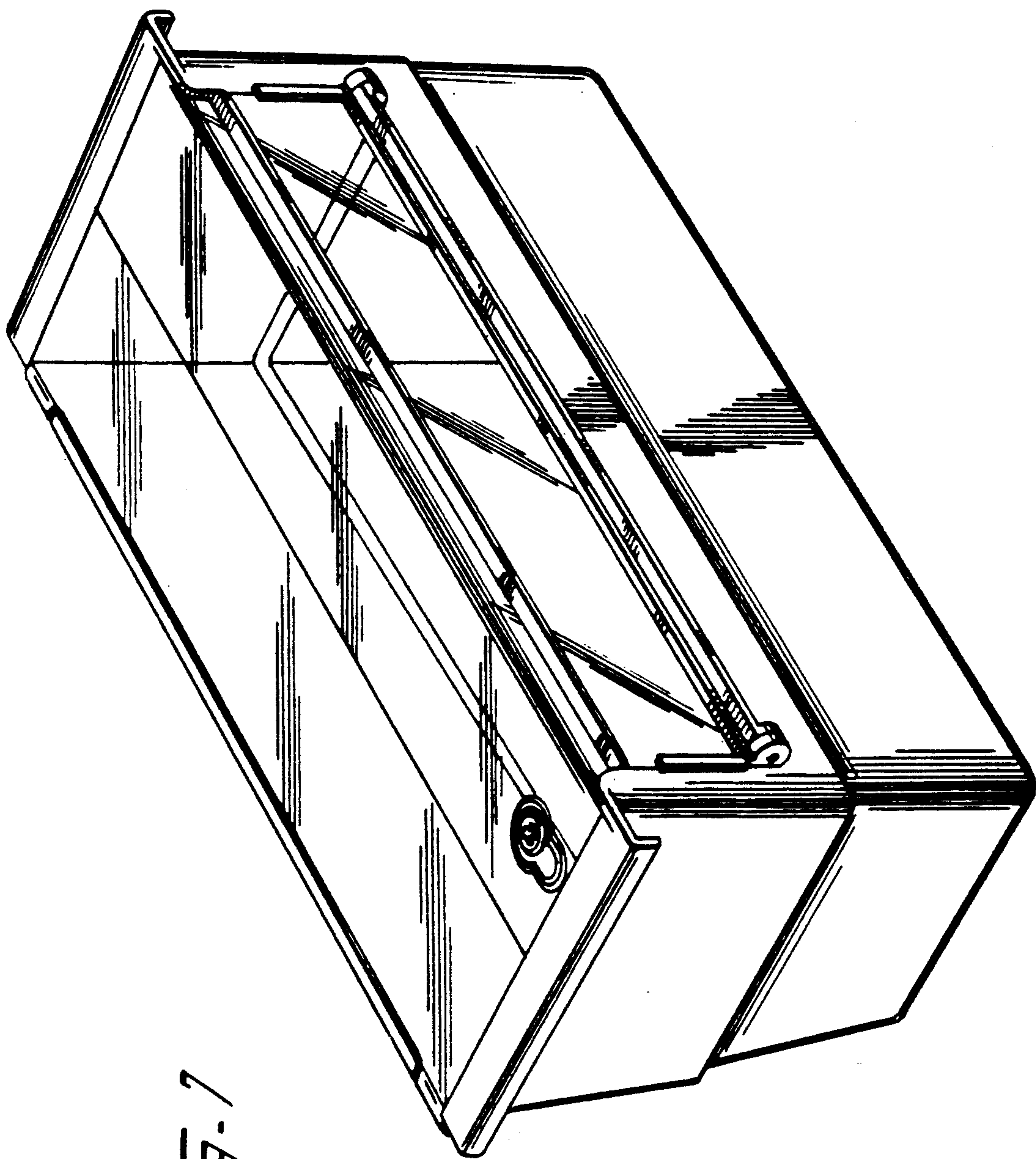


FIG. 7