



US00D346688S

United States Patent [19] Hill

[11] Patent Number: **Des. 346,688**

[45] Date of Patent: **** May 10, 1994**

[54] **LAP ROBE**

[76] Inventor: **Lucille K. Hill, 1315 Chapel View Dr., Odenton, Md. 21113**

[**] Term: **14 Years**

[21] Appl. No.: **929,566**

[22] Filed: **Aug. 14, 1992**

[52] U.S. Cl. **D2/719; D6/603**

[58] Field of Search **D2/25, 16, 719, 724; D6/603, 610, 611, 600; 2/69.5, 70**

[56] **References Cited**

U.S. PATENT DOCUMENTS

D. 120,718	5/1940	Friedman	D2/719
D. 329,248	9/1992	Brown	D2/719
1,074,389	9/1913	Sullivan	D2/719
2,230,689	2/1941	Kemp	D2/719
2,707,988	5/1955	Shaub	2/69.5
2,716,239	8/1955	Barndollar	2/69.5
3,597,764	8/1971	Povey	2/69.5
4,363,141	12/1982	Doster	2/69.5
4,535,479	8/1985	Paula	2/69.5
4,932,077	6/1990	Dobbs	2/69.5

Primary Examiner—A. Hugo Word

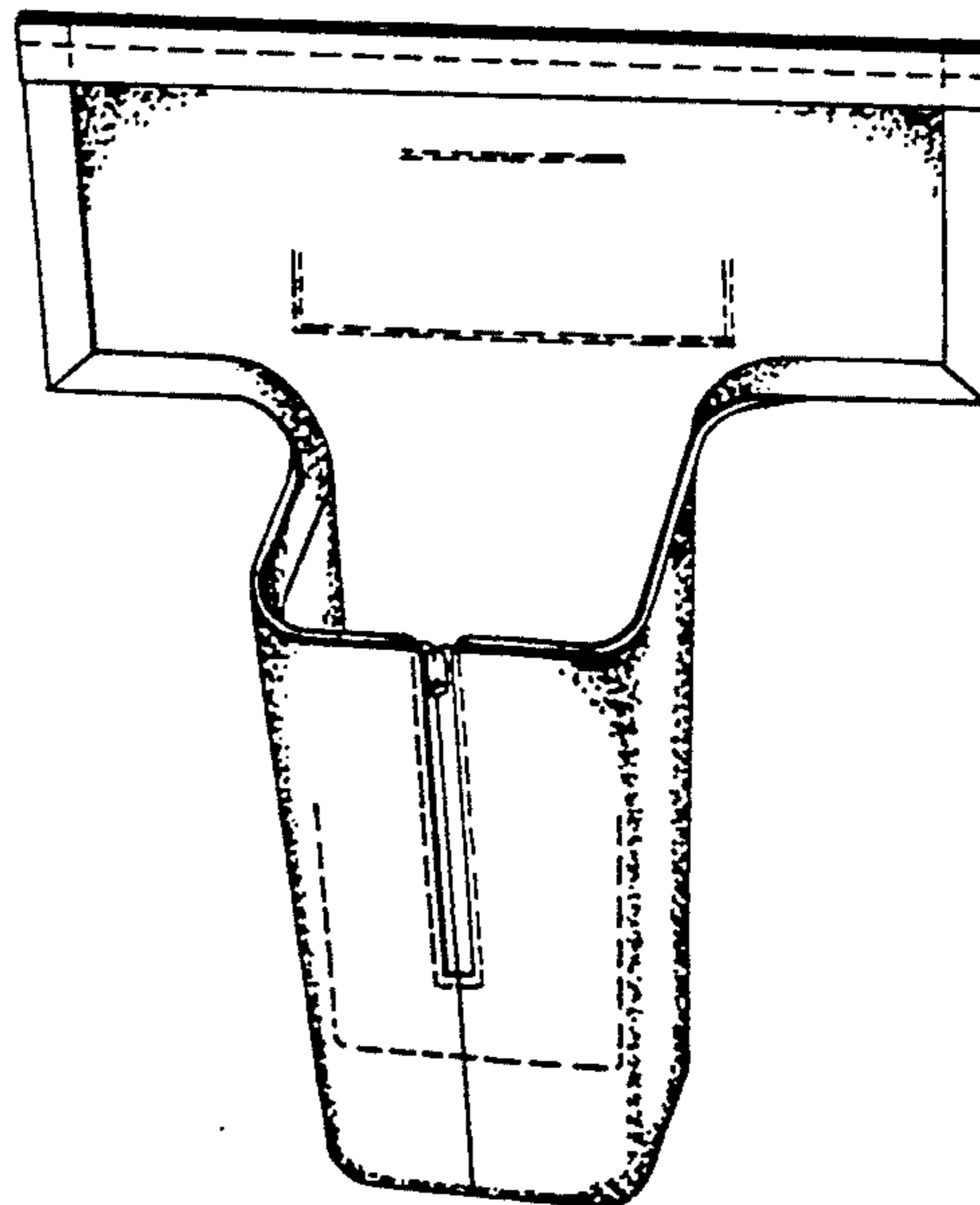
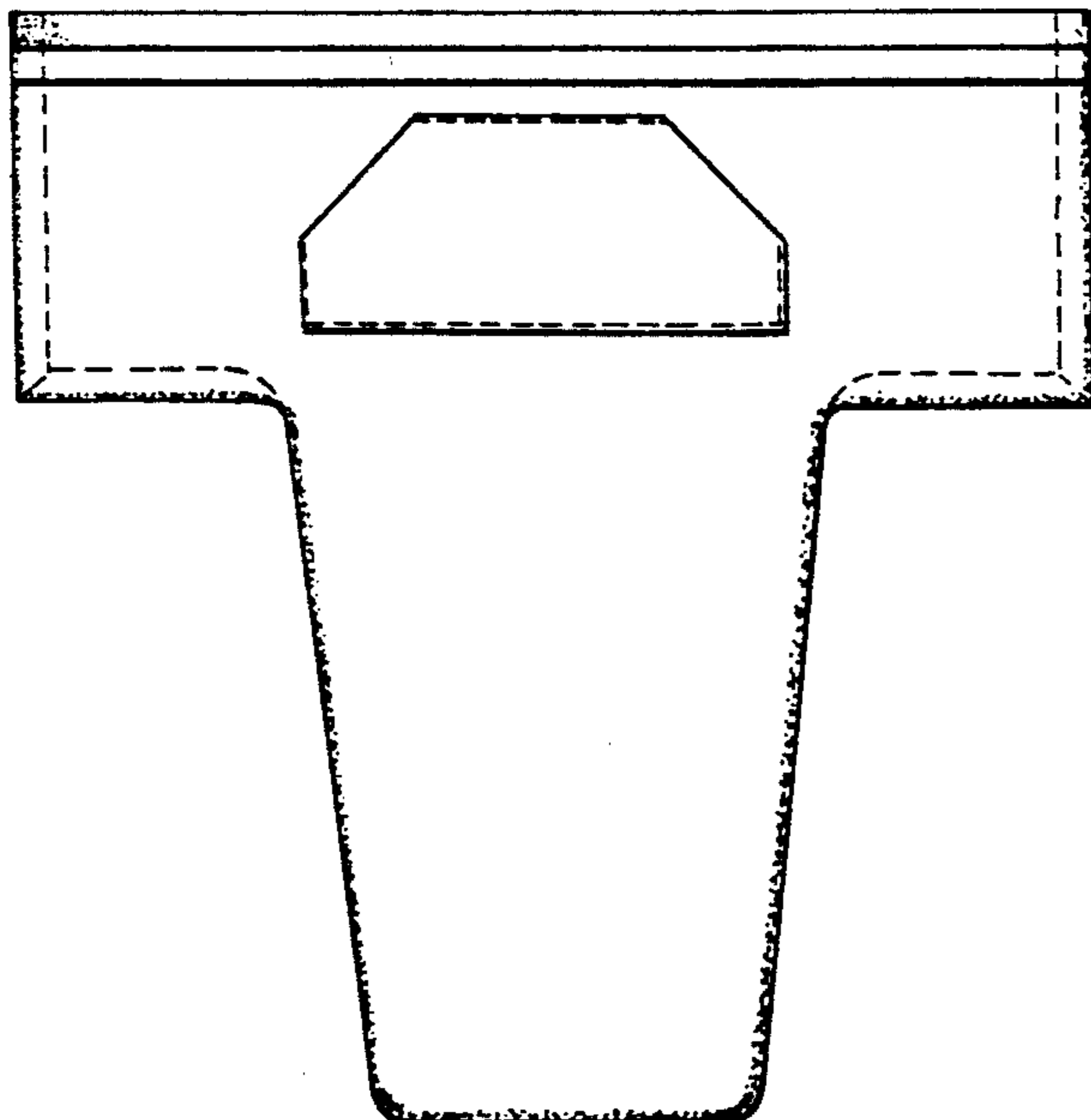
Assistant Examiner—Celia A. Murphy
Attorney, Agent, or Firm—George C. Atwell; Clarence L. Carlson

[57] **CLAIM**

The ornamental design of the lap robe, as shown and described.

DESCRIPTION

FIG. 1 is a front elevational view of a lap robe showing my new design;
FIG. 2 is a front elevational view thereof showing the side flaps folded rearward;
FIG. 3 is a rear elevational view of FIG. 1;
FIG. 4 is a rear elevational view of FIG. 2;
FIG. 5 is a rear elevational view of FIG. 1, the closure shown open, and the flaps partially open;
FIG. 6 is a right side elevational view of FIG. 2 shown partially broken away for clarity of illustration;
FIG. 7 is a rear perspective view of FIG. 1; and,
FIG. 8 is a side perspective view shown in use, the broken lines partially showing a wheelchair and occupant being for illustrative purposes only, and forming no part of the claimed design.
The broken lines shown in FIGS. 1 through 7 are understood to represent conventional stitching.



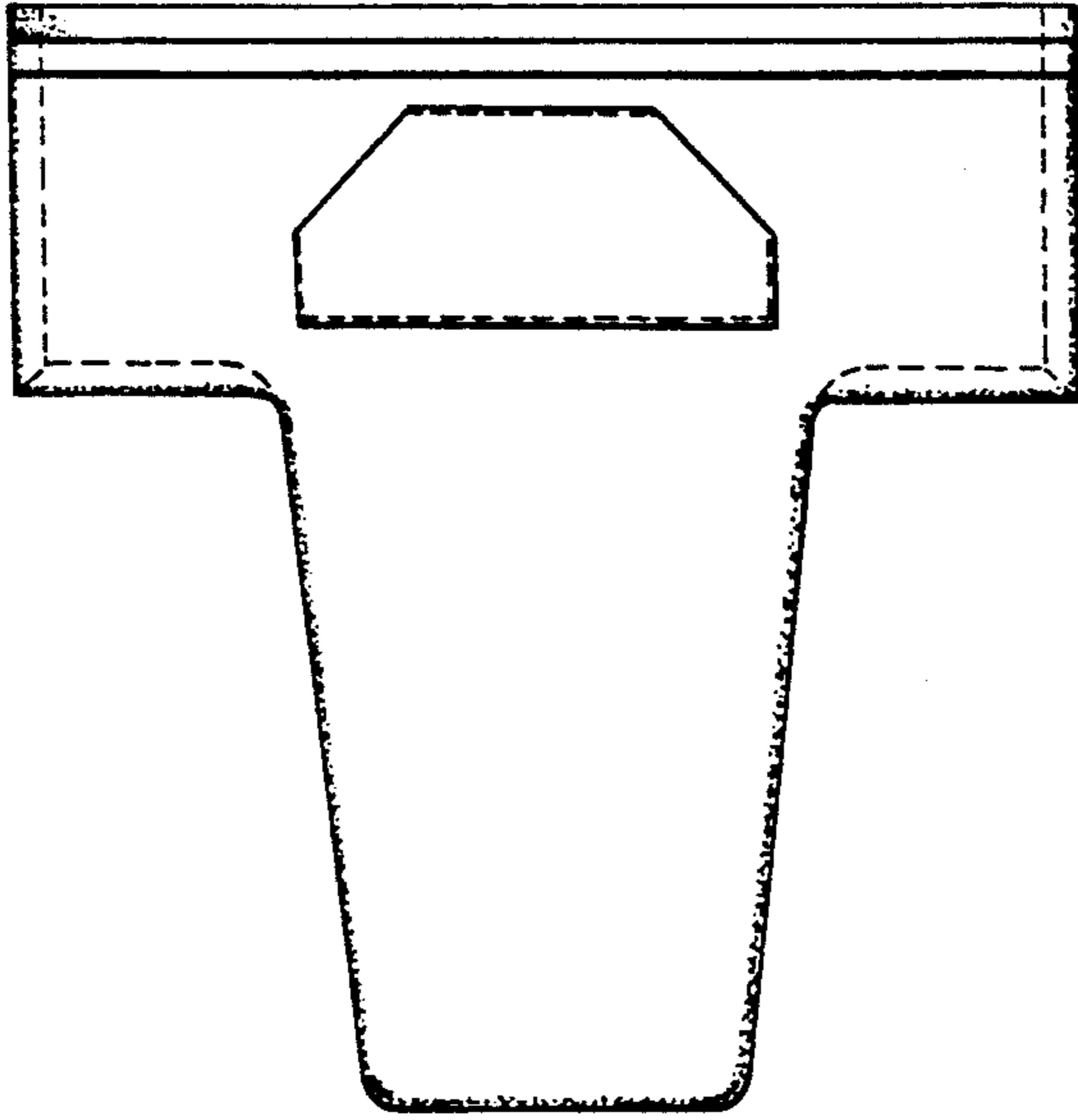


Fig. 1

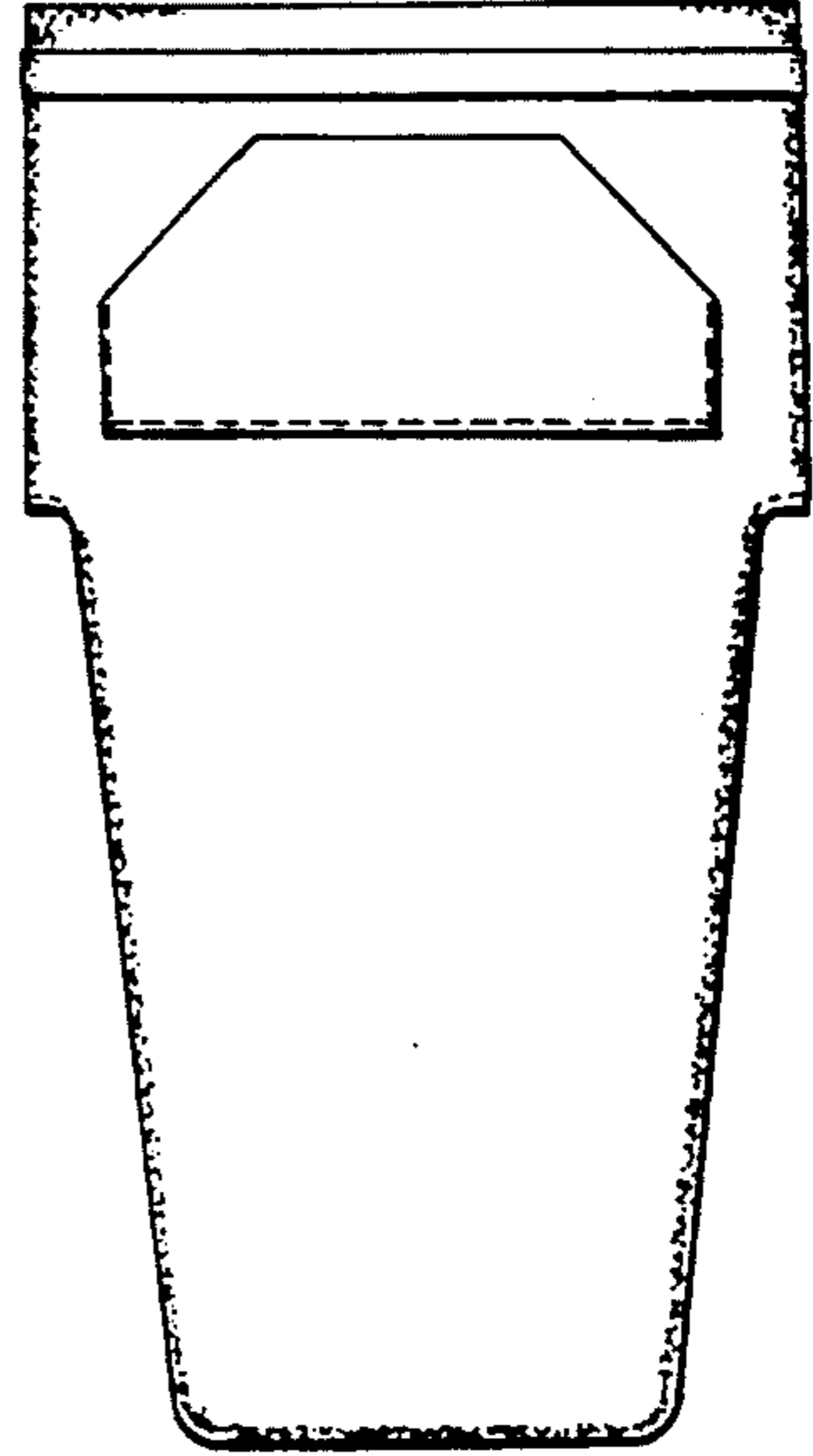


Fig. 2

Fig. 3

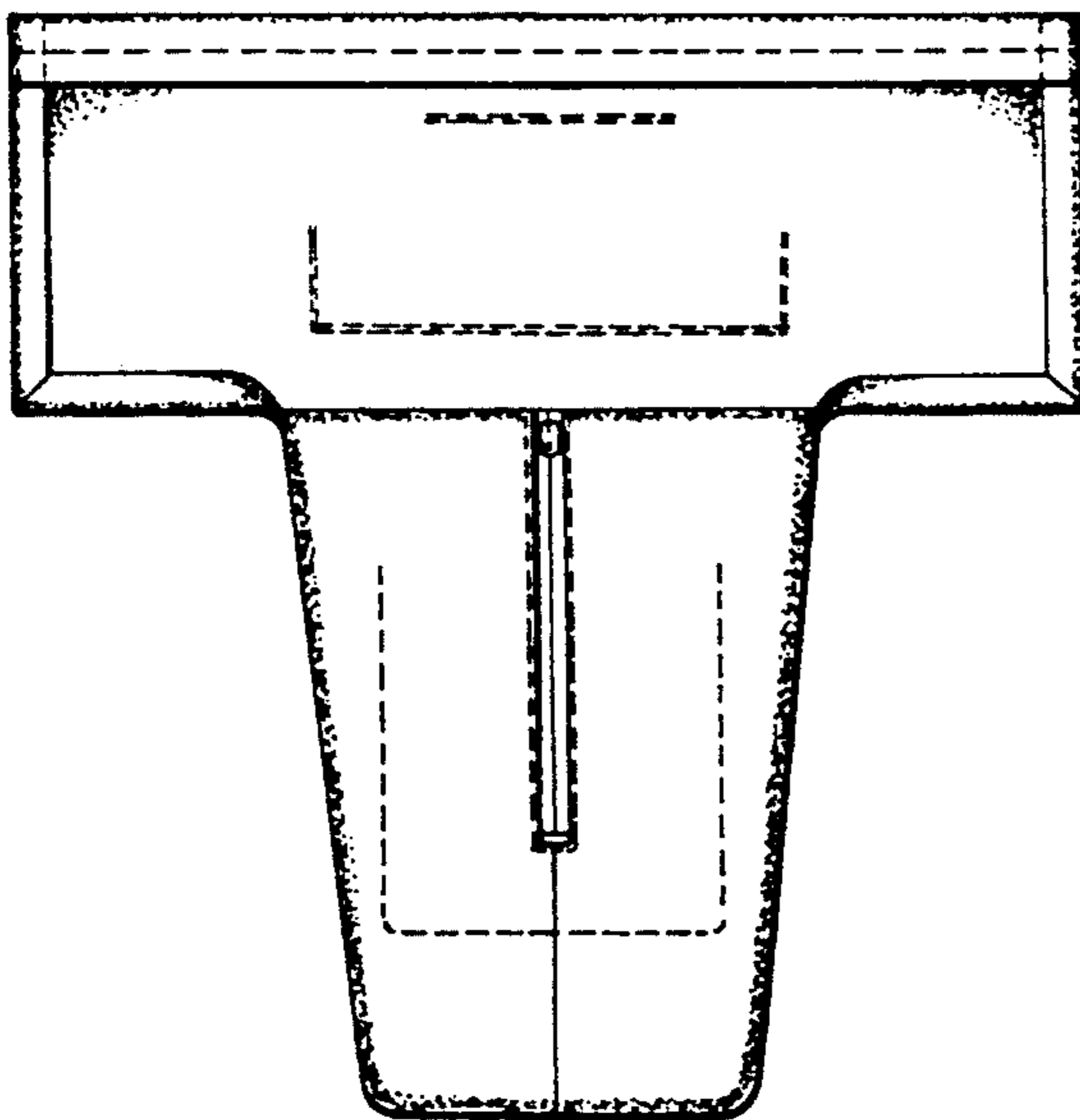
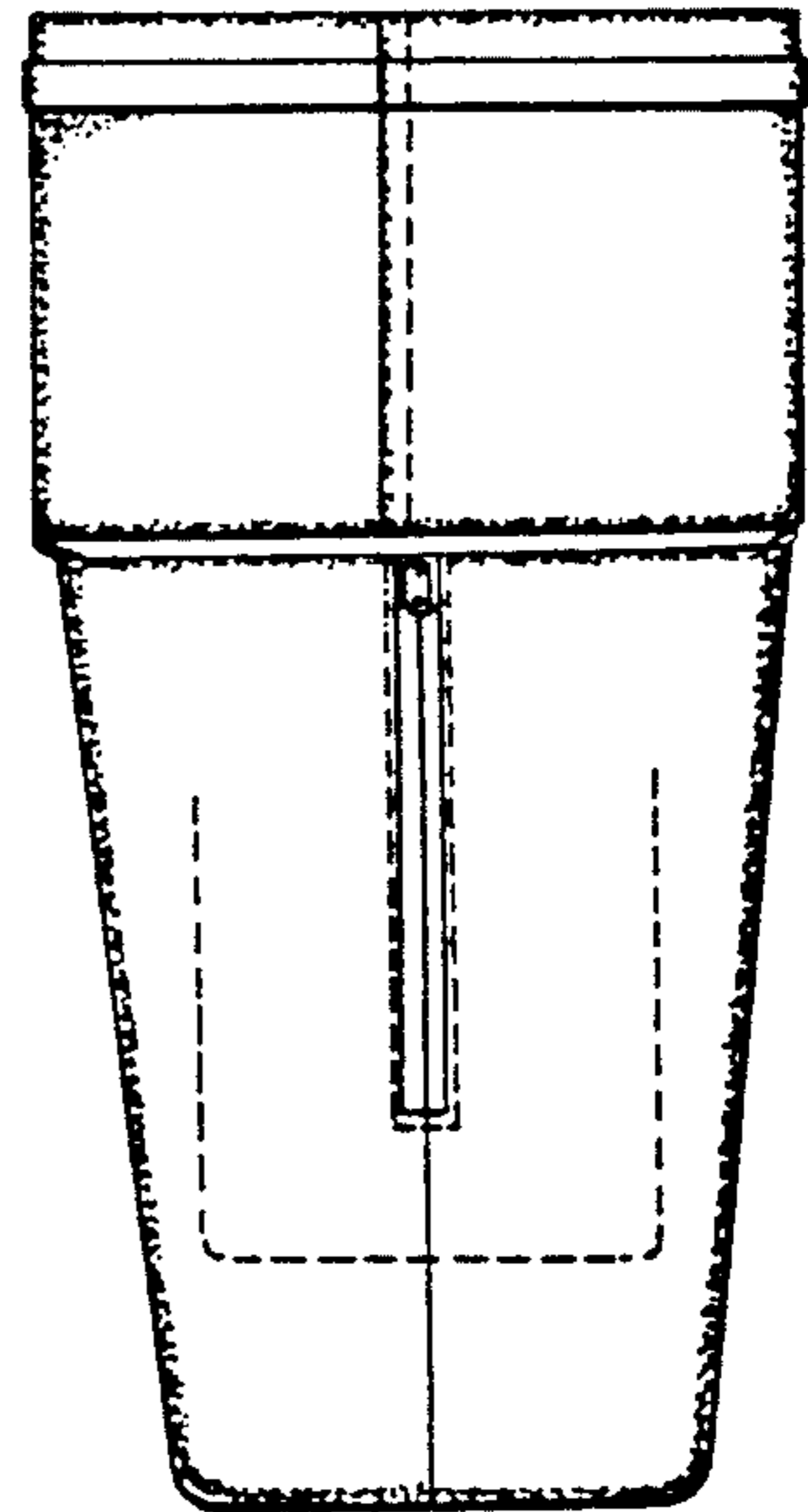


Fig. 4



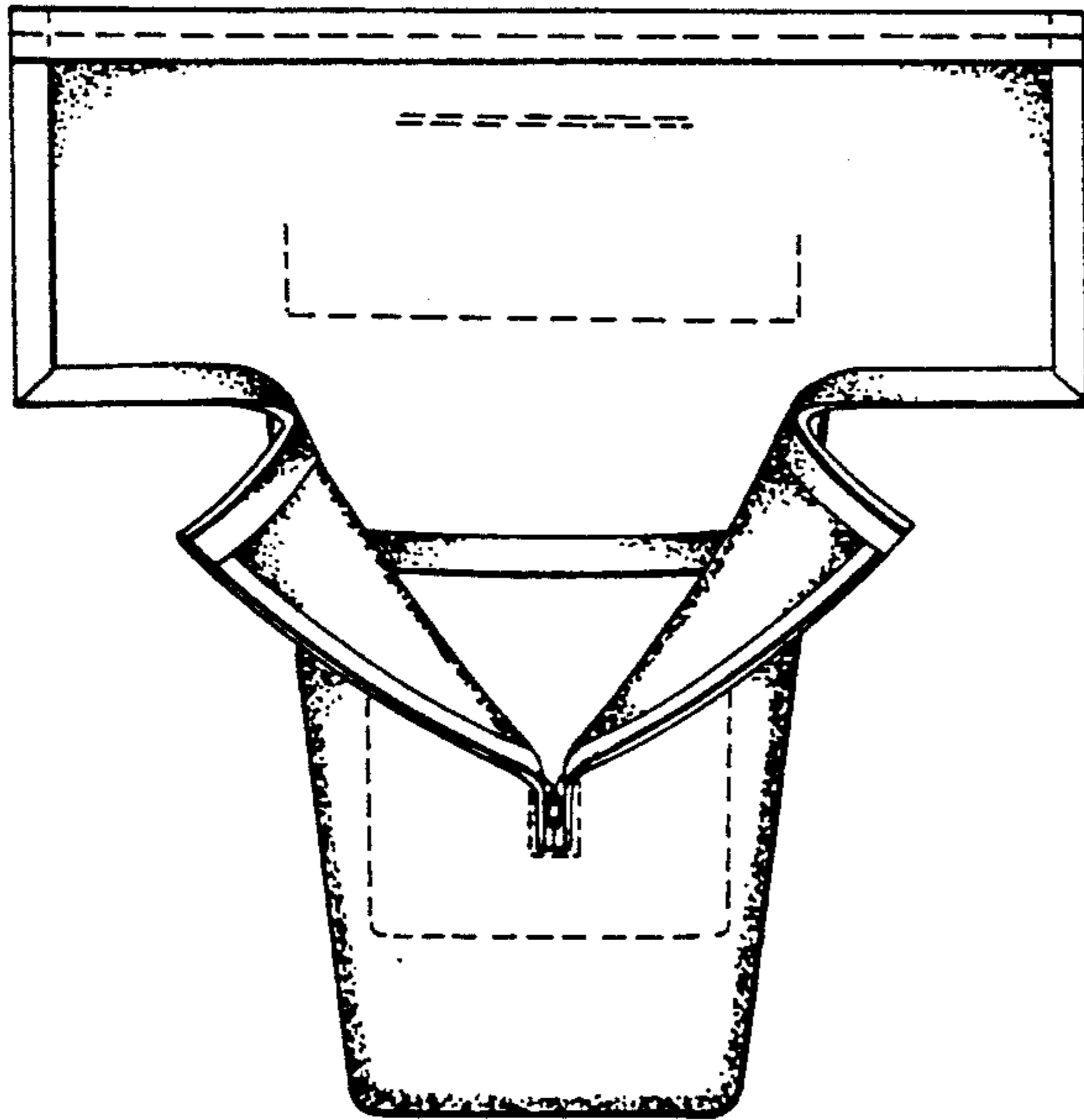


Fig. 5

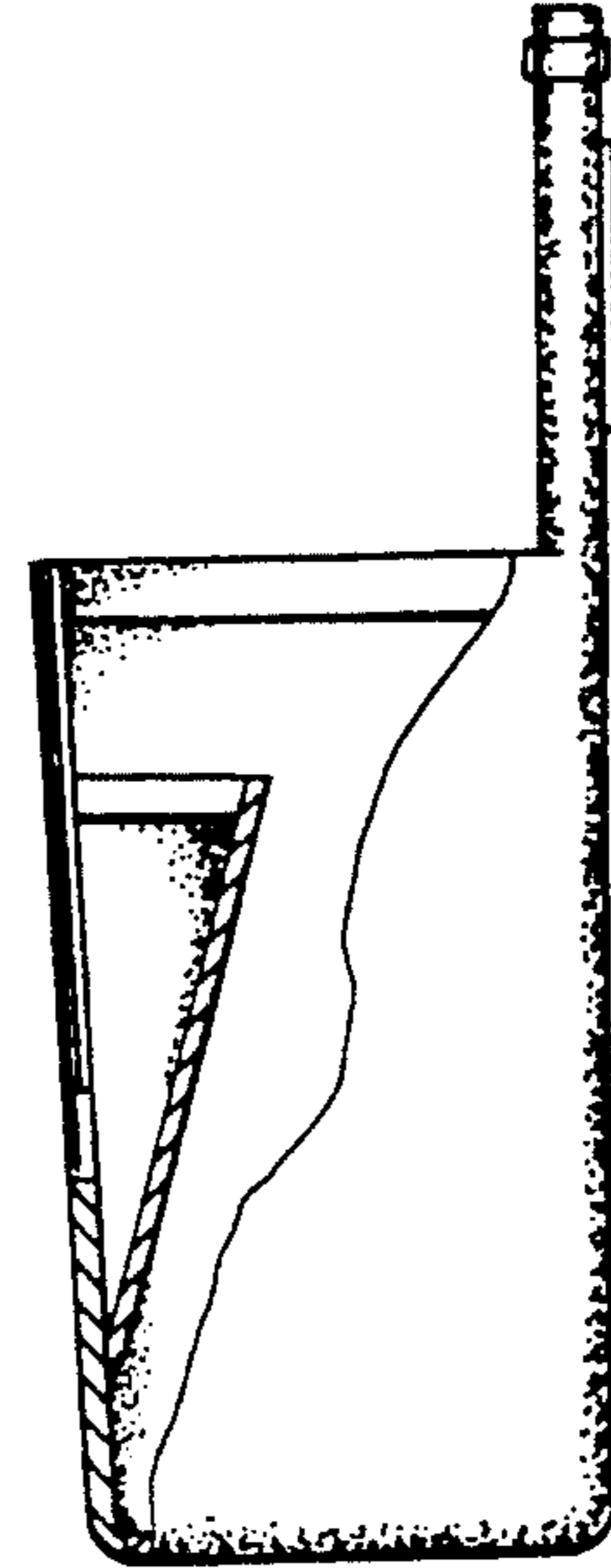


Fig. 6

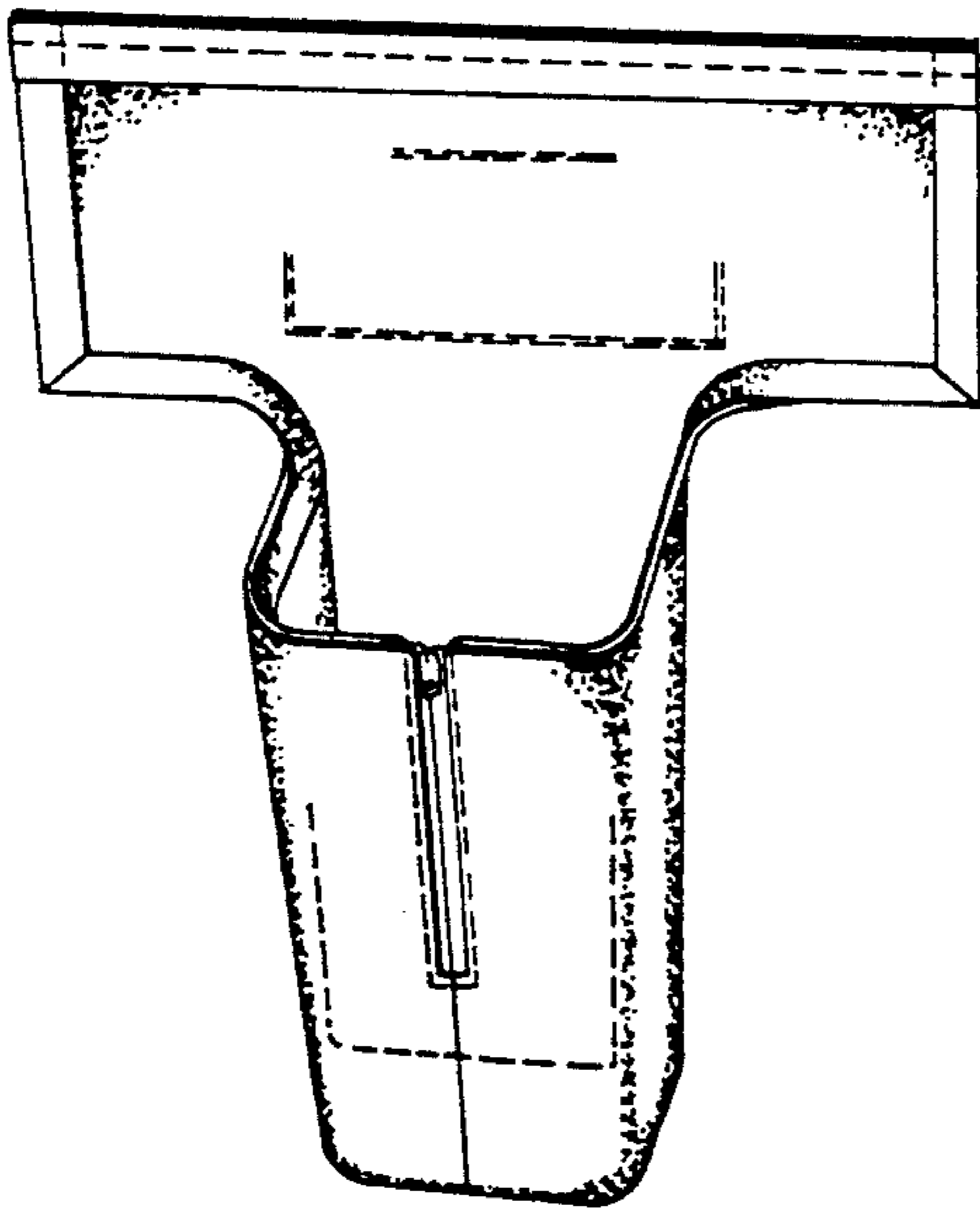


Fig. 7

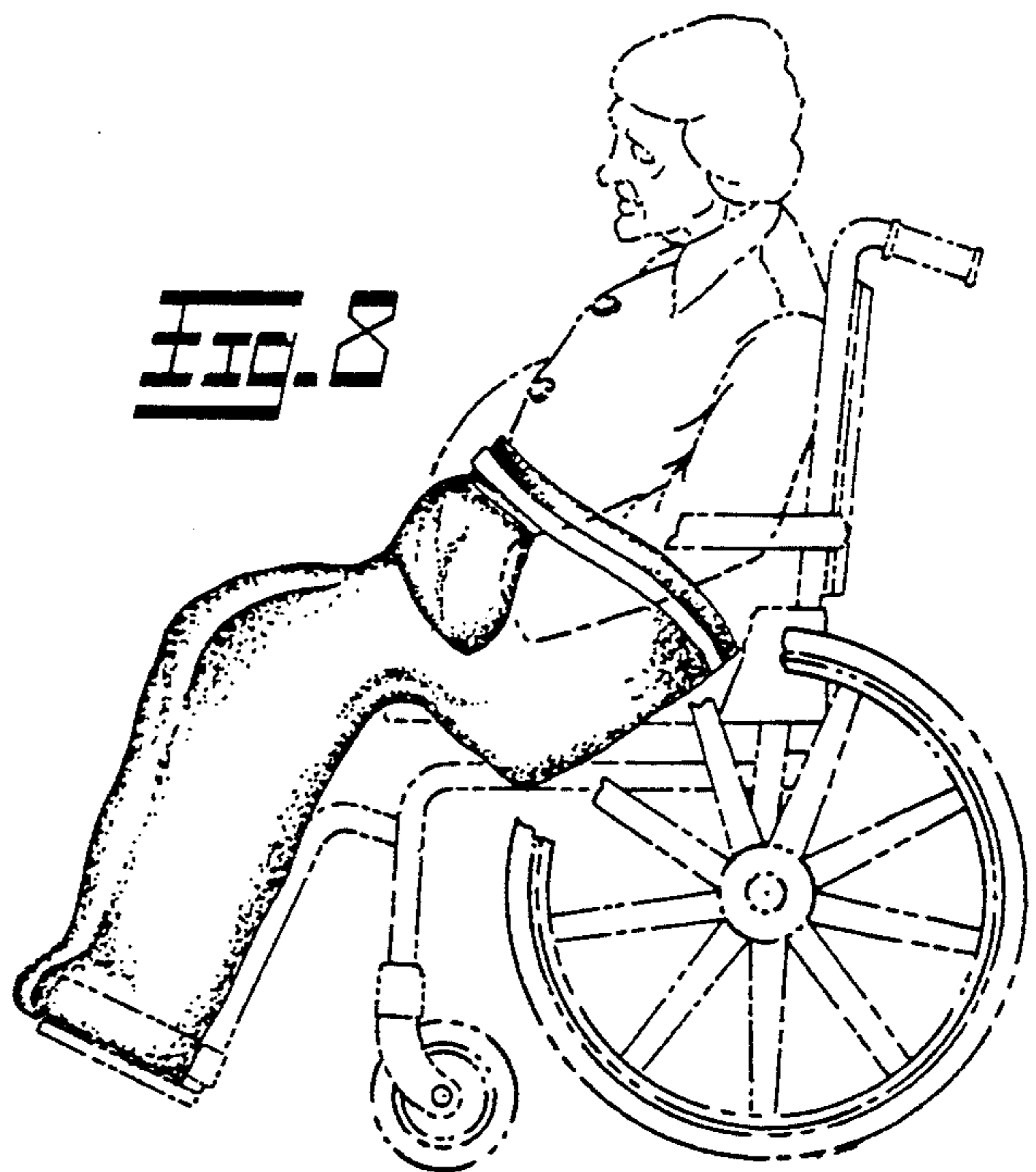


Fig. 8