



US00D346680S

United States Patent [19]

[11] Patent Number: **Des. 346,680**

Lee

[45] Date of Patent: **** May 3, 1994**

[54] **HYDRAULIC HIGH LIFT PALLET TRUCK**

Primary Examiner—Kay H. Chin

[76] Inventor: **Steven Lee**, 11th Fl., No. 603, Sec. 5,
Chung Shan N. Rd., Taipei, Taiwan

Attorney, Agent, or Firm—Morton J. Rosenberg; David
I. Klein

[**] Term: **14 Years**

[57] **CLAIM**

[21] Appl. No.: **3,386**

The ornamental design for a hydraulic high lift pallet
truck, as shown and described.

[22] Filed: **Jan. 8, 1993**

DESCRIPTION

[52] U.S. Cl. **D34/31; D34/28**

[58] Field of Search **254/126, 2 R;**
280/43.12, 43.23; D34/28, 31

FIG. 1 is a perspective view from the front, left, and top
sides of a hydraulic high lift pallet truck showing my
design;

[56] **References Cited**

U.S. PATENT DOCUMENTS

- D. 302,894 8/1989 Suzuki D34/31
- 4,497,501 2/1985 Kedem 280/43.12
- 4,589,669 5/1986 Kedem 254/2 R

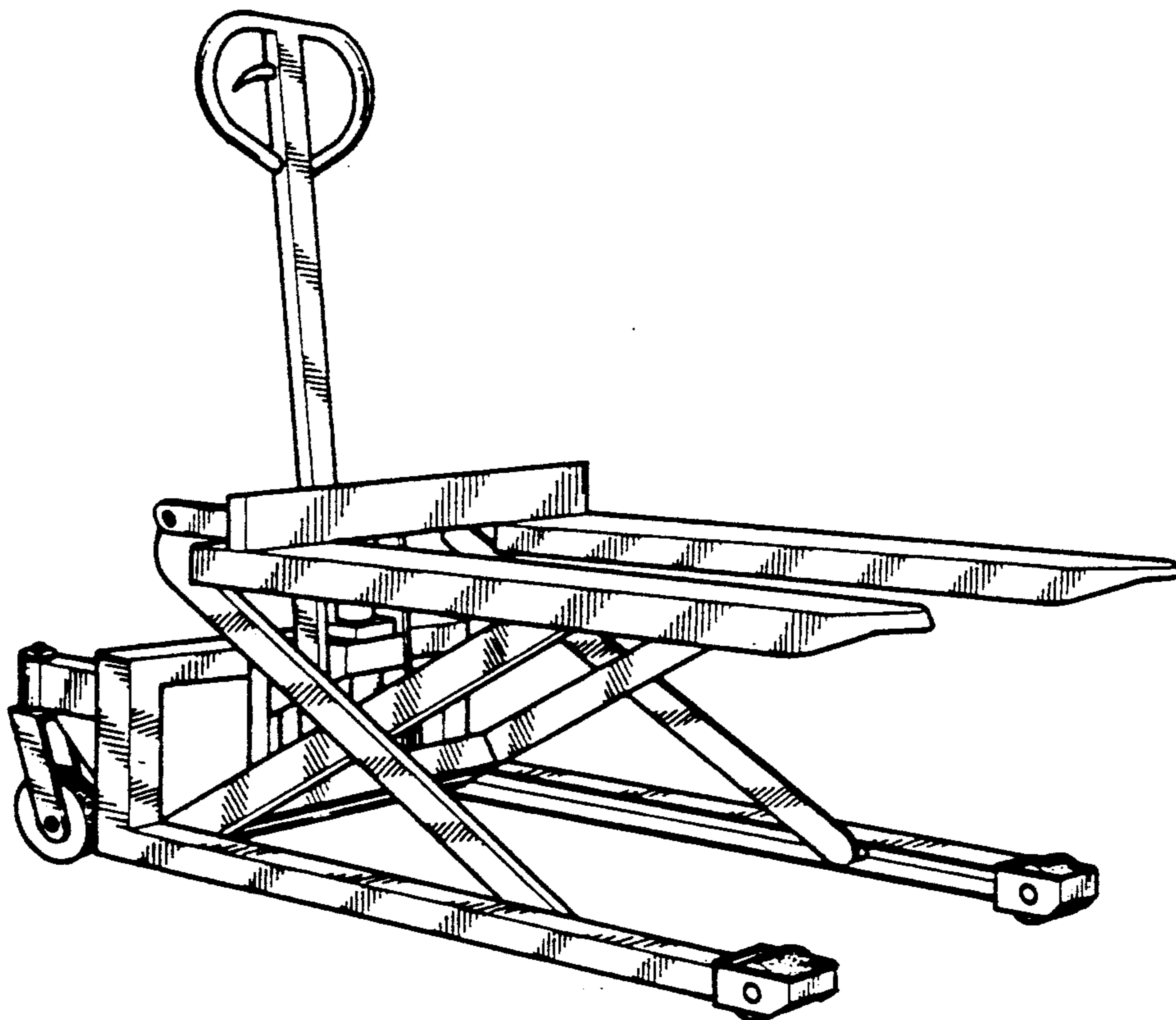
FIG. 2 is a front elevational view thereof;

FIG. 3 is a rear elevational view thereof;

FIG. 4 is a right side elevational view thereof; the left
side elevational view is a mirror image thereof;

FIG. 5 is a top plan view thereof; and,

FIG. 6 is a bottom plan view thereof.



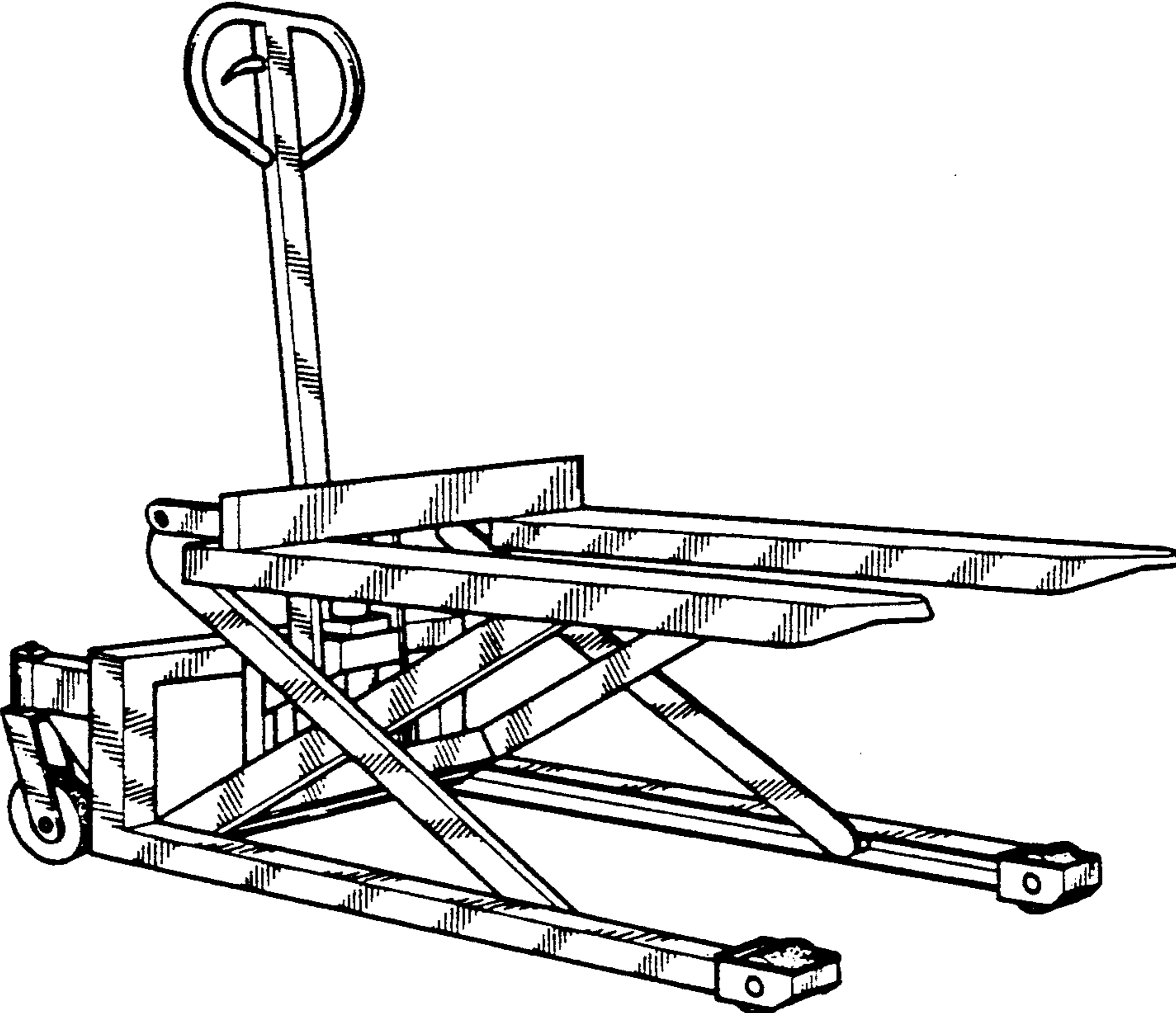


FIG 1

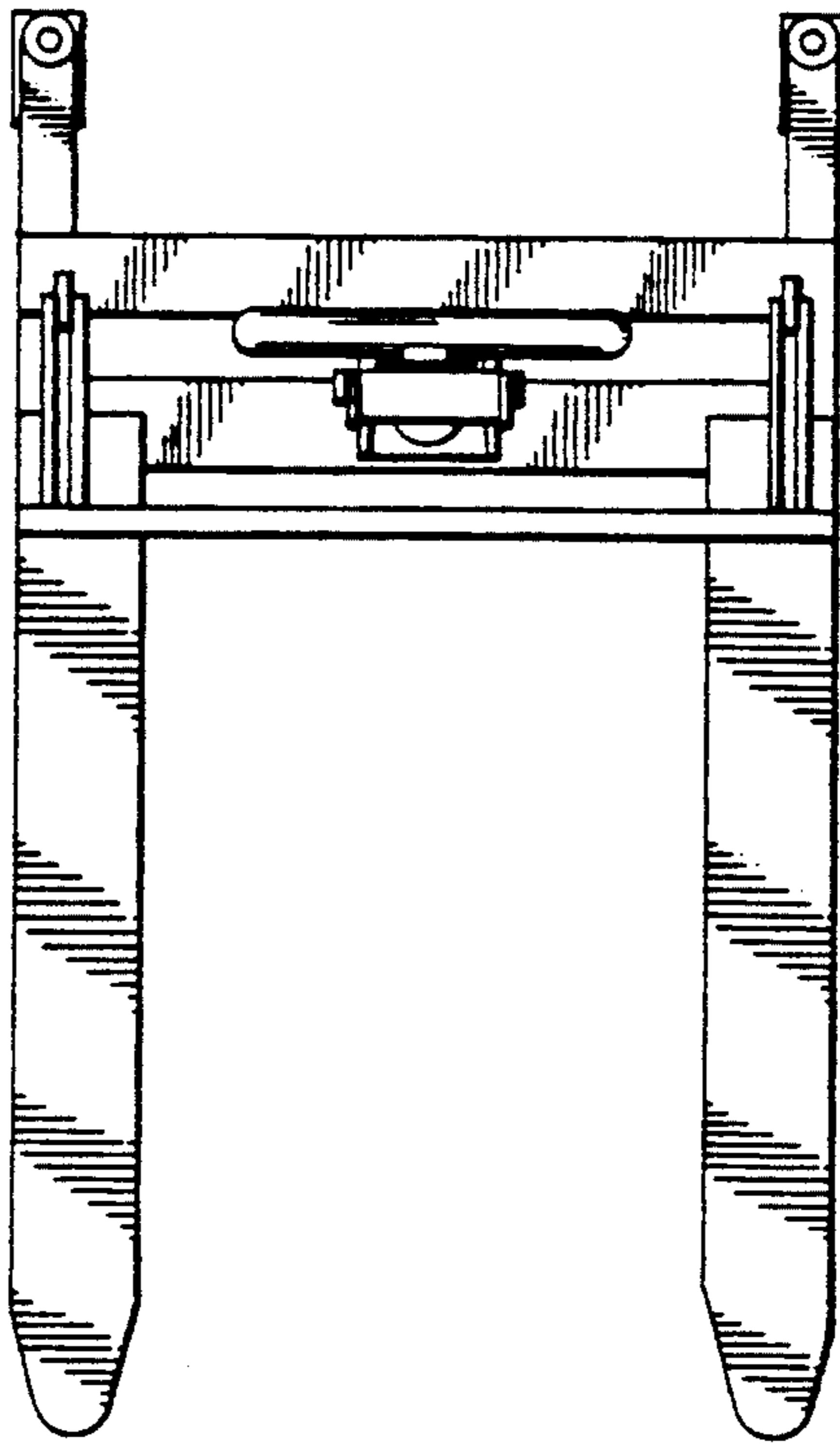


FIG 5

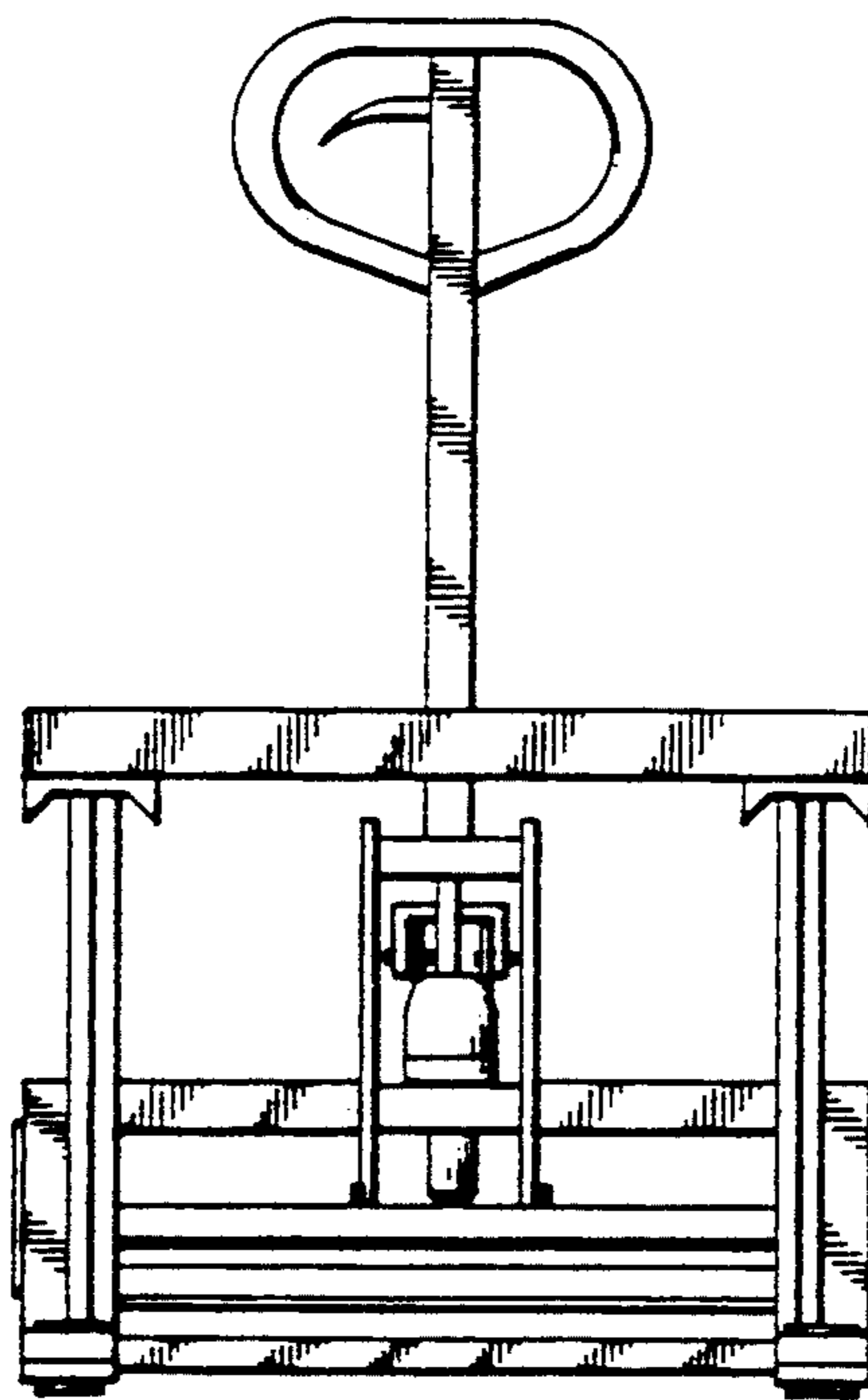


FIG 2

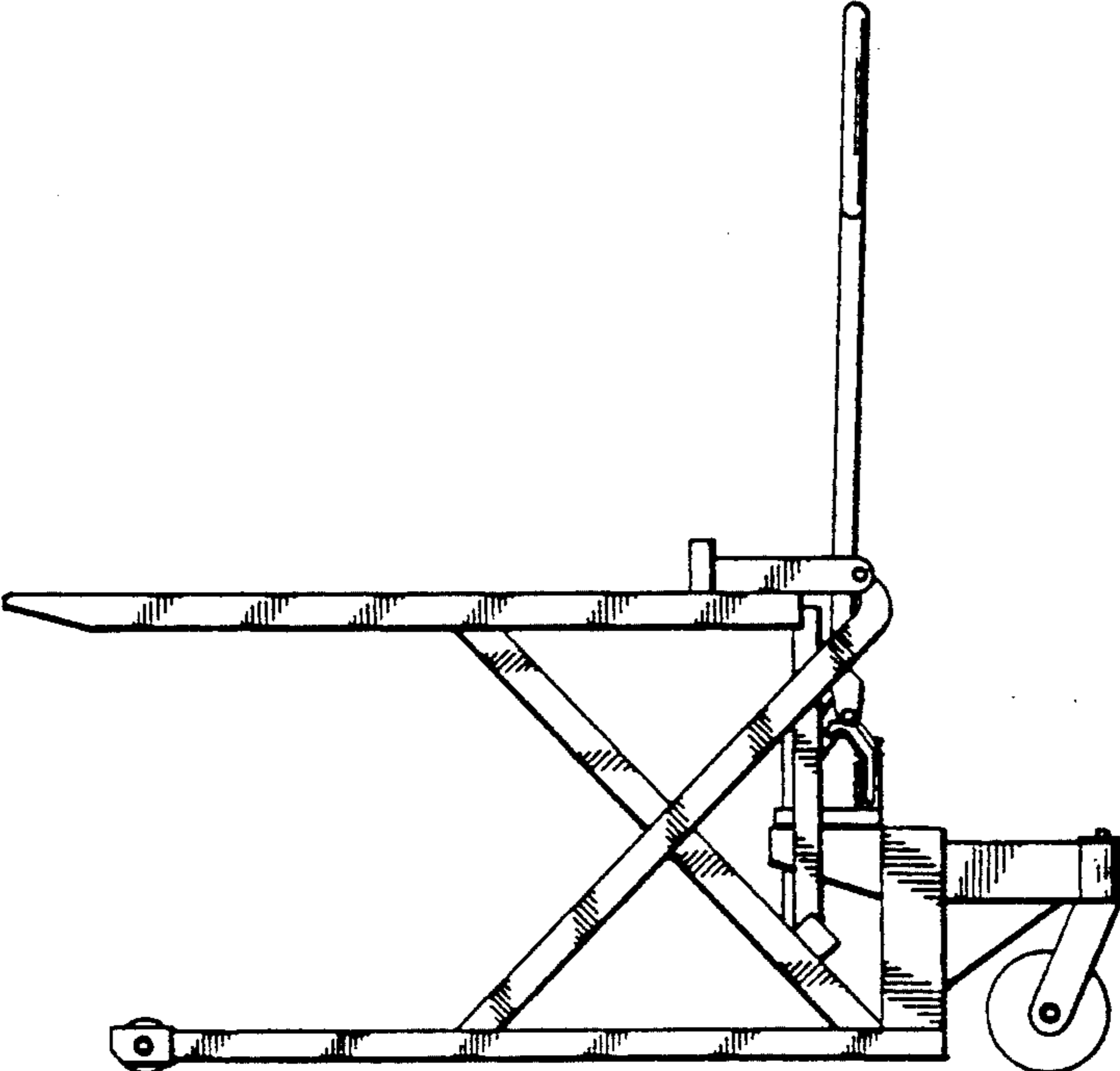


FIG 4

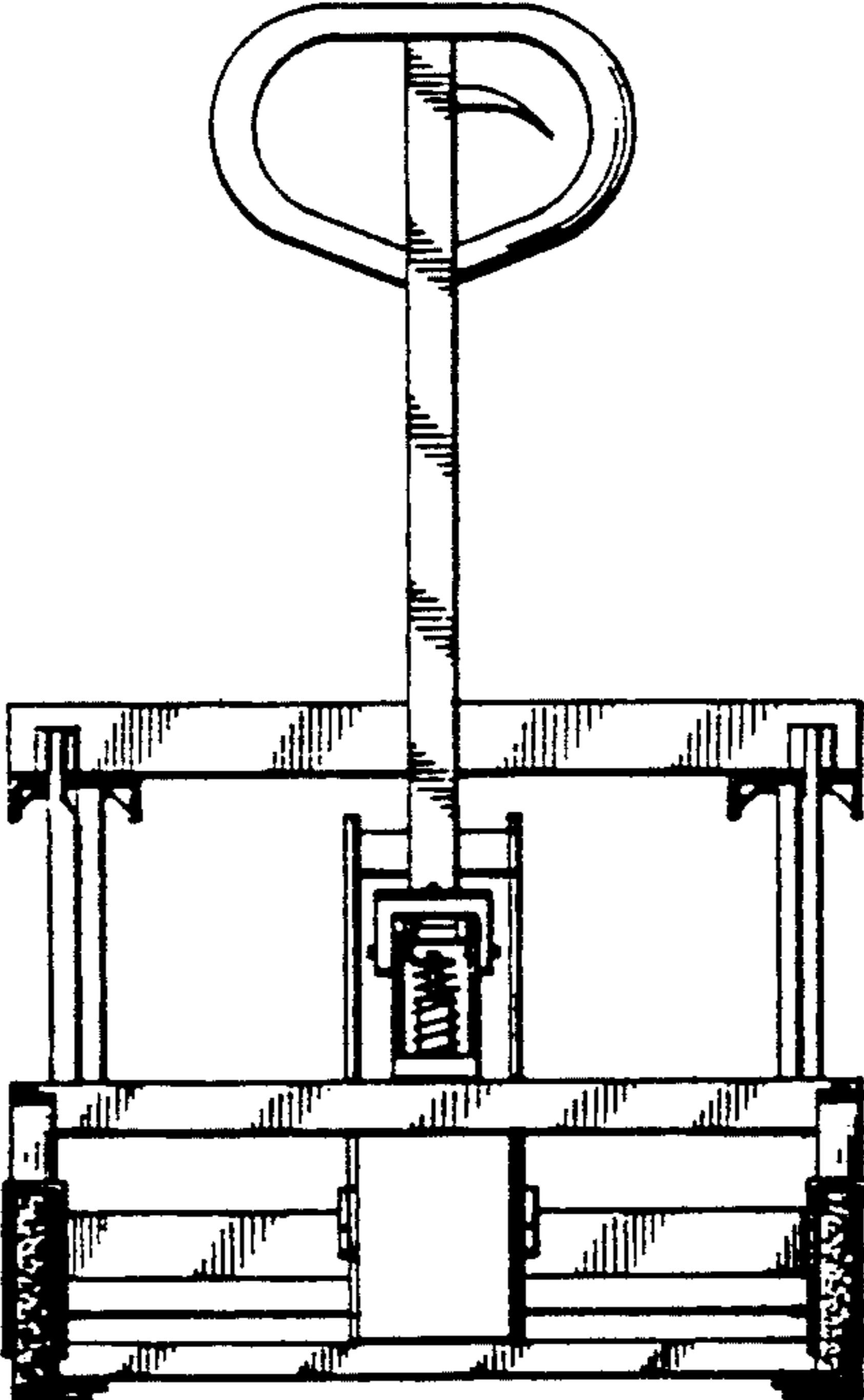


FIG 3

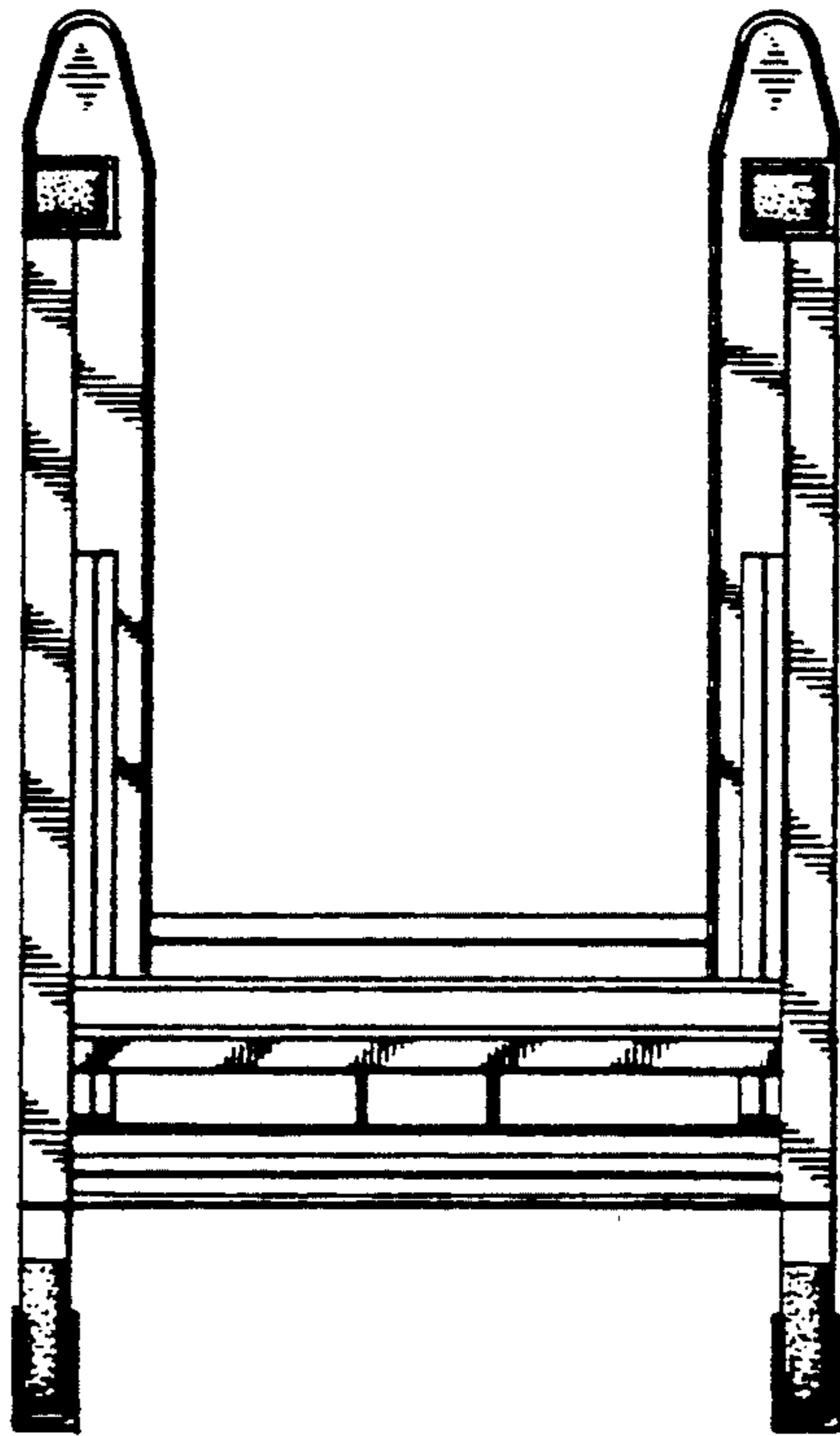


FIG 6